



US00D780157S

(12) **United States Design Patent**
Uggla

(10) **Patent No.:** **US D780,157 S**

(45) **Date of Patent:** **** Feb. 28, 2017**

- (54) **IN EAR HEADPHONE**
- (71) Applicant: **Zound Industries International AB**,
Stockholm (SE)
- (72) Inventor: **Carl Uggla**, Stockholm (SE)
- (73) Assignee: **Zound Industries International AB**,
Stockholm (SE)
- (**) Term: **15 Years**
- (21) Appl. No.: **29/543,123**
- (22) Filed: **Oct. 21, 2015**

- 2,430,229 A * 11/1947 Kelsey H04R 1/1058
181/130
- 2,501,107 A * 3/1950 Volkmann H04R 5/0335
381/374
- 2,595,489 A * 5/1952 Rutter H04R 17/00
381/190
- 2,656,991 A * 10/1953 Neely H02G 11/02
174/135
- D176,810 S * 1/1956 Norris D14/192
- D177,346 S * 4/1956 Norris D14/192
- 2,971,065 A * 2/1961 Busse H04R 25/456
381/104
- 3,440,365 A * 4/1969 Hazell H04M 1/05
379/430
- 4,069,400 A * 1/1978 Johanson H04R 25/60
381/322
- D266,271 S * 9/1982 Johanson D24/174

(30) **Foreign Application Priority Data**

Apr. 21, 2015 (EM) 002686170-0002

(51) **LOC (10) CL.** **14-01**

(52) **U.S. CL.**
USPC **D14/205; D14/223**

(58) **Field of Classification Search**
USPC D14/205, 223; 181/129, 130, 135;
379/430, 431; 381/380, 381, 321, 322,
381/189, 384, 370, 371, 433.01;
455/90.3, 575.1
CPC H04R 25/00; H04R 1/1016; H04R 1/10;
H04R 1/105; H04R 5/0335
See application file for complete search history.

(56) **References Cited**

U.S. PATENT DOCUMENTS

- 1,614,987 A * 1/1927 Langenbeck H04R 25/65
181/135
- 2,148,477 A * 2/1939 Koch H04R 25/606
181/400
- 2,377,739 A * 6/1945 Wyckoff A61F 11/008
181/132

(Continued)

Primary Examiner — Paula Greene

(74) *Attorney, Agent, or Firm* — Alonzo & Associates;
Arlyn Alonzo

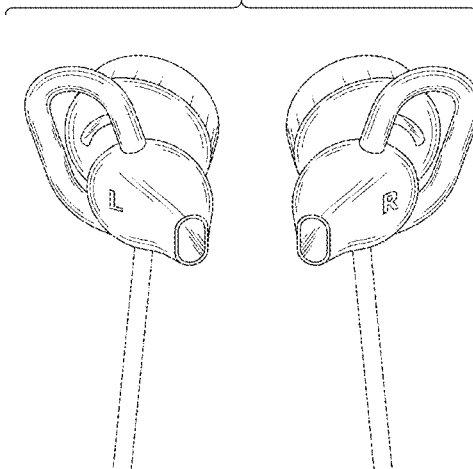
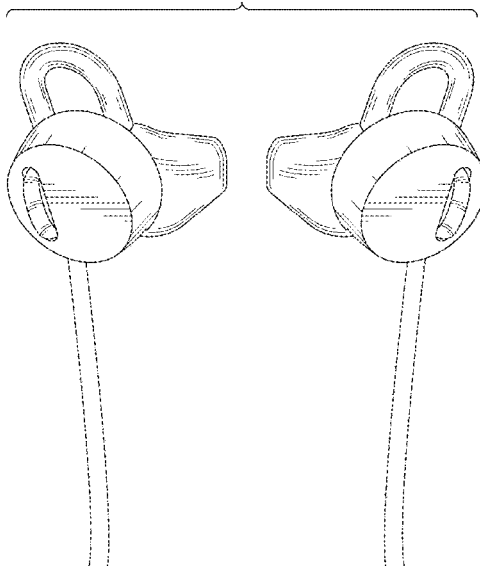
(57) **CLAIM**

The ornamental design for an in ear headphone, as shown and described.

DESCRIPTION

FIG. 1 is a back view of an exemplary in ear headphone. FIG. 2 is a front view thereof. FIG. 3 is a right side view thereof. FIG. 4 is a left side view thereof. FIG. 5 is a bottom view thereof. FIG. 6 is a top view thereof; FIG. 7 is a perspective back view thereof; and, FIG. 8 is a perspective front view thereof. The design is an in ear headphone. The broken lines depict environment and form no part of the claimed design.

1 Claim, 7 Drawing Sheets



(56)

References Cited

U.S. PATENT DOCUMENTS

4,384,688	A *	5/1983	Smith	B65H 75/4434 191/12.2 R
D279,186	S *	6/1985	Tung	D10/31
4,539,708	A *	9/1985	Norris	H04B 1/088 455/100
4,585,089	A *	4/1986	Topholm	H04R 25/65 181/130
4,588,867	A *	5/1986	Konomi	H04R 1/46 379/430
D287,764	S *	1/1987	Topholm	D24/174
D287,765	S *	1/1987	Topholm	D24/174
4,802,638	A *	2/1989	Burger	B65H 75/143 242/388.1
D321,881	S *	11/1991	Hopewell	D14/192
5,410,608	A *	4/1995	Lucey	H04R 1/083 381/360
5,422,957	A *	6/1995	Cummins	B65H 75/4431 381/384
D383,757	S *	9/1997	Dobrusskin	D14/223
5,812,680	A *	9/1998	Glendon	H04R 25/60 381/322
5,832,098	A *	11/1998	Chen	H04M 1/05 381/370
D457,154	S *	5/2002	Ng	D14/192
6,480,611	B2 *	11/2002	Hashimoto	H04R 1/1033 381/371
D467,895	S *	12/2002	Hirano	D14/192
D469,755	S *	2/2003	Hlas	D14/223
D470,122	S *	2/2003	Hlas	D14/205
D470,123	S *	2/2003	Hlas	D14/205
D481,709	S *	11/2003	Solderits	D14/223
D482,022	S *	11/2003	Nakano	D14/223
6,690,807	B1 *	2/2004	Meyer	G02C 5/143 2/12
D505,132	S *	5/2005	Linville	D14/223
D505,411	S *	5/2005	Sakai	D14/192
D529,901	S *	10/2006	Ohta	D14/223
D543,972	S *	6/2007	Taylor	D14/223
D569,841	S *	5/2008	Chung	D14/205
7,372,974	B2 *	5/2008	Yanagishita	H04R 1/1033 381/370
D578,507	S *	10/2008	Ando	D14/205
D587,681	S *	3/2009	Yanai	D14/205
D588,111	S *	3/2009	Komiyama	D14/223
D603,380	S *	11/2009	Hutchieson	D14/223
D642,163	S *	7/2011	Lee	D14/223
D654,056	S *	2/2012	Hoggarth	D14/205
D666,581	S *	9/2012	Perez	D14/223
D668,632	S *	10/2012	Enquist	D14/205
D674,904	S *	1/2013	Aunio	D14/223
D678,242	S *	3/2013	Von Euler	D14/205
D680,102	S *	4/2013	Chen	D14/223
D685,761	S *	7/2013	Fletcher	D14/205
D685,764	S *	7/2013	Coulter	D14/205
D687,410	S *	8/2013	Fletcher	D14/205
D699,226	S *	2/2014	Yoon	D14/206
D703,634	S *	4/2014	Han	D14/205
D711,356	S *	8/2014	Yang	D14/223
D719,131	S *	12/2014	Toelle	D14/205
D719,132	S *	12/2014	Toelle	D14/205
D732,509	S *	6/2015	Brunner	D14/223
D743,370	S *	11/2015	Toelle	D14/205
D743,932	S *	11/2015	Toelle	D14/205
2003/0174853	A1 *	9/2003	Howes	H04R 1/083 381/370
2006/0214044	A1 *	9/2006	Chiang	B65H 75/4434 242/378
2007/0058201	A1 *	3/2007	Ike	H04N 1/405 358/3.06
2011/0176700	A1 *	7/2011	Hashimoto	H04R 1/1016 381/380
2011/0249856	A1 *	10/2011	Takei	H04R 1/1016 381/380

* cited by examiner

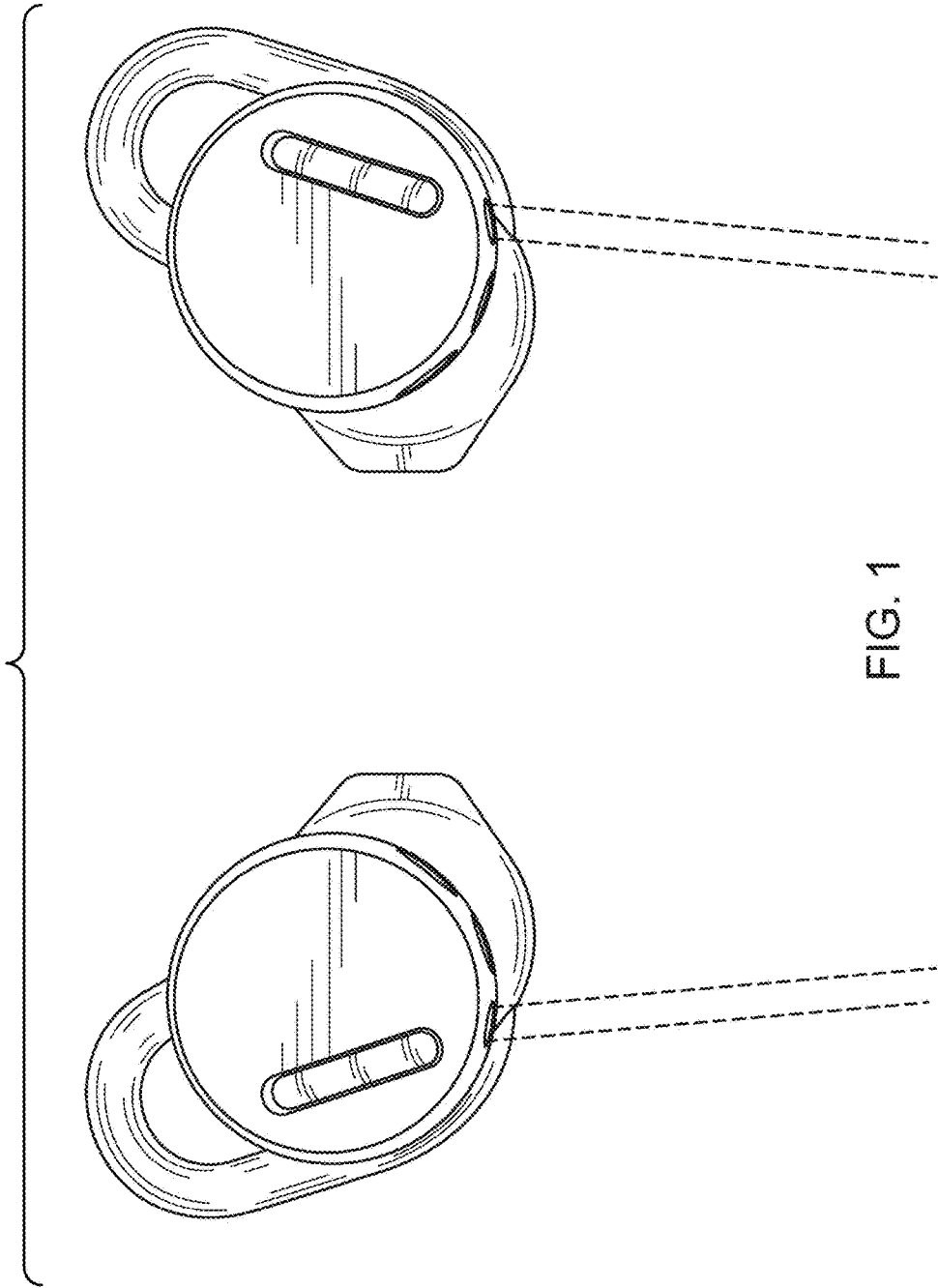


FIG. 1

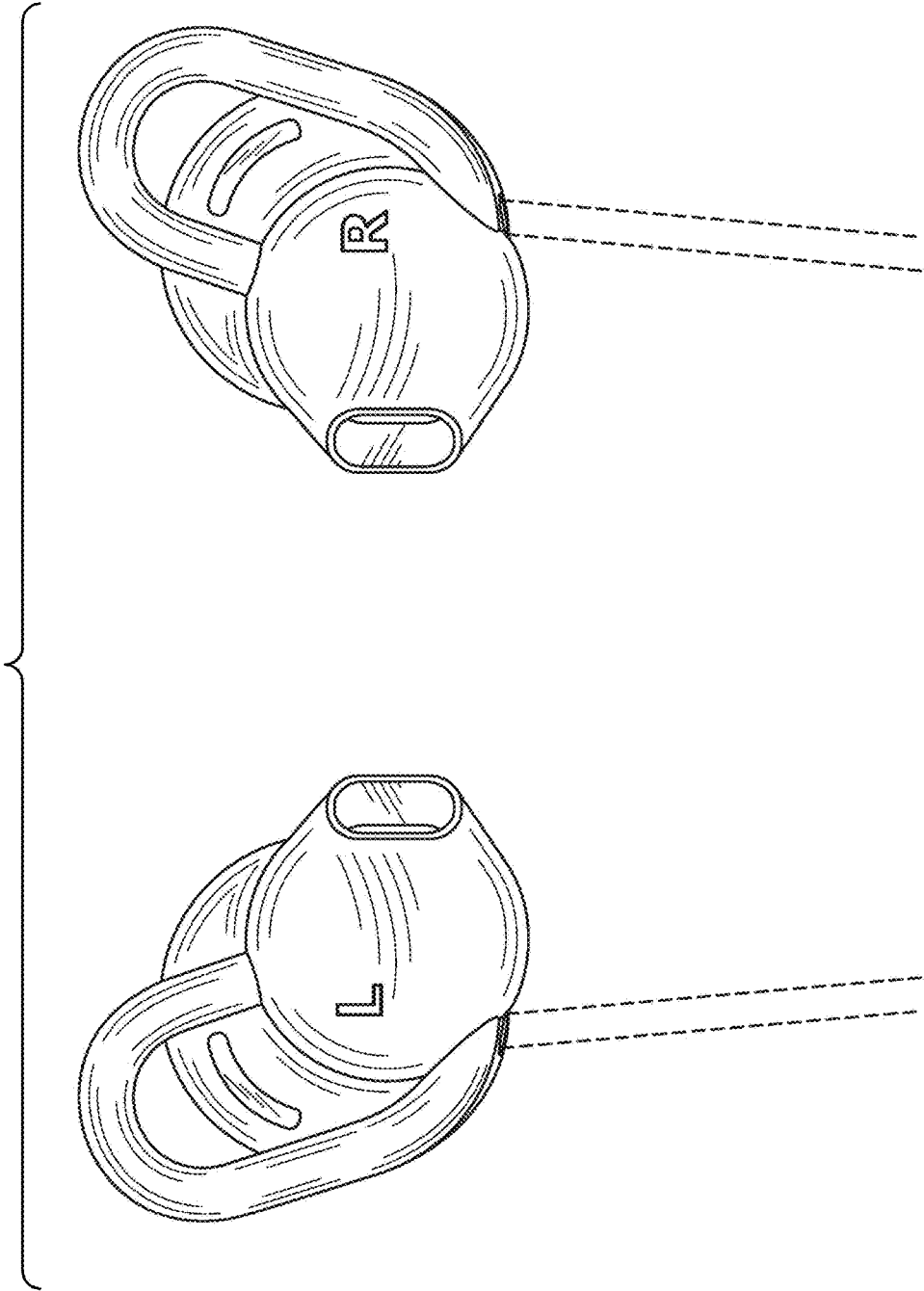


FIG. 2

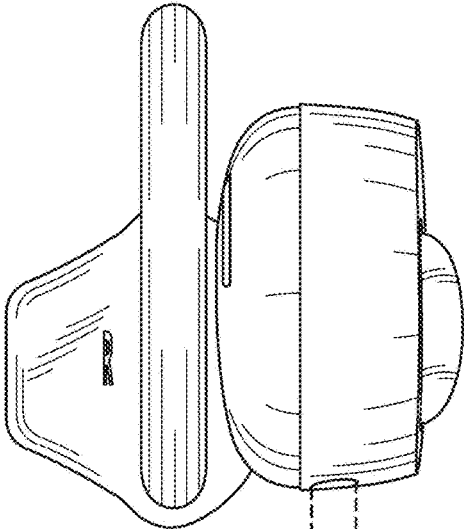


FIG. 3

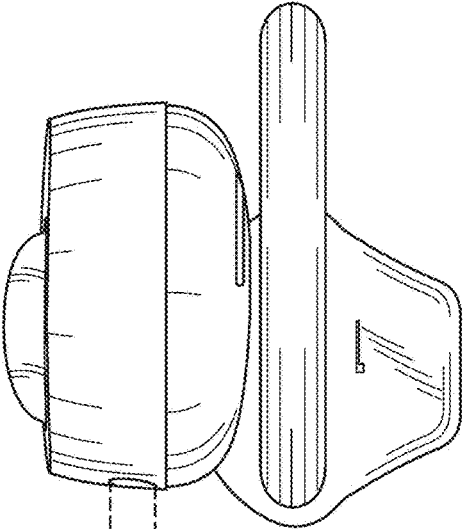


FIG. 4

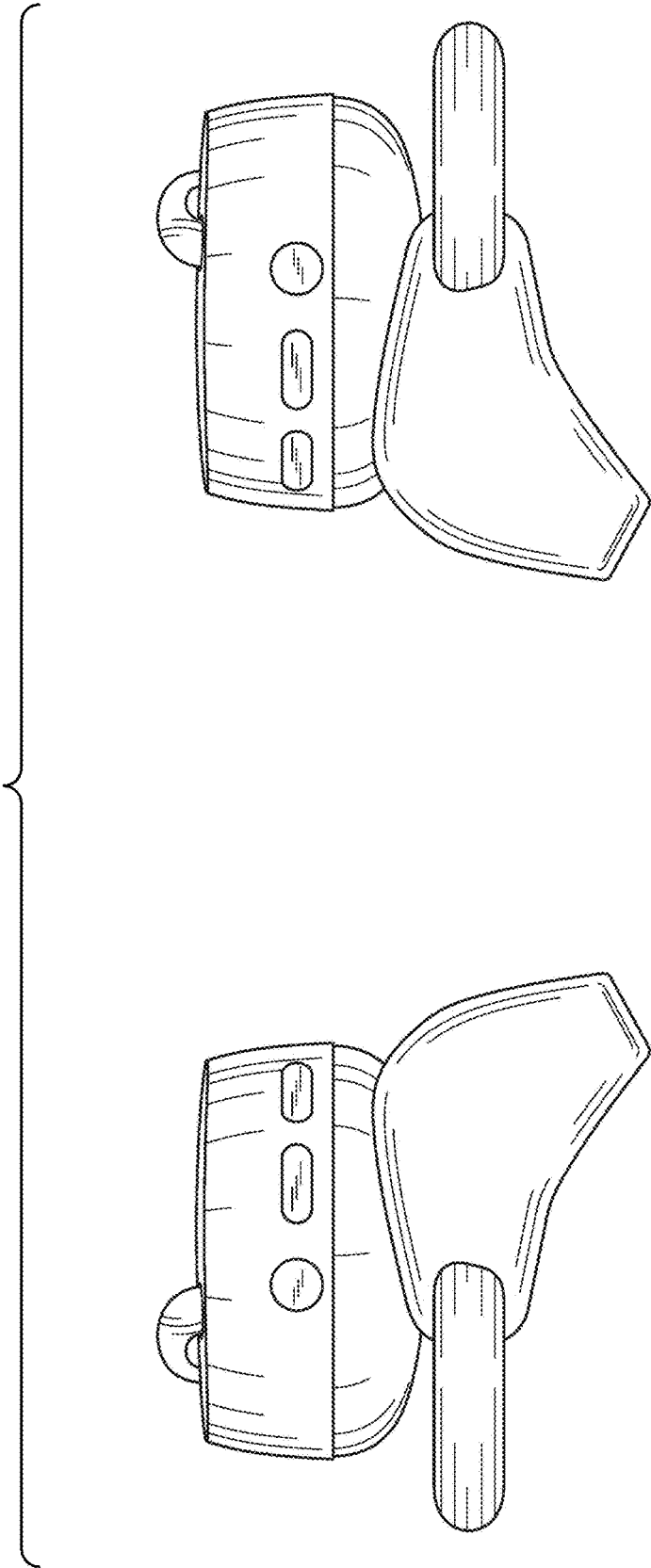


FIG. 5

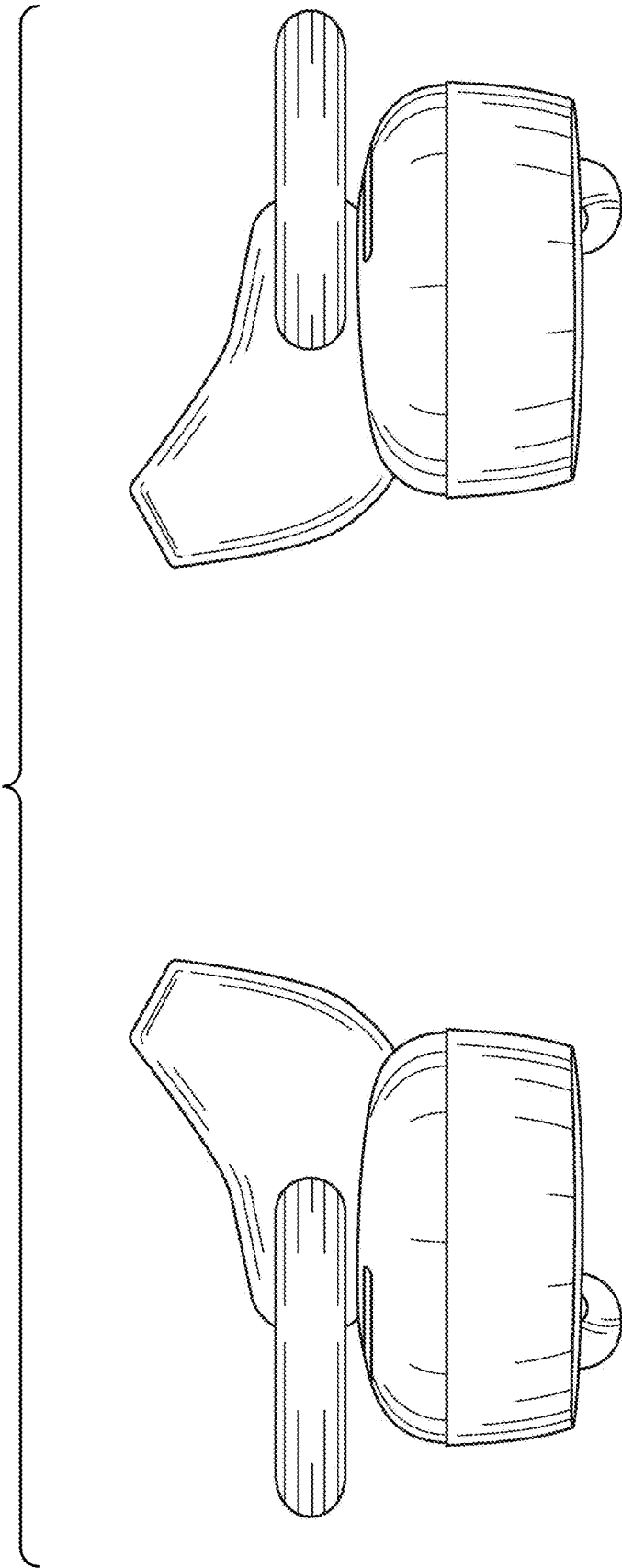


FIG. 6

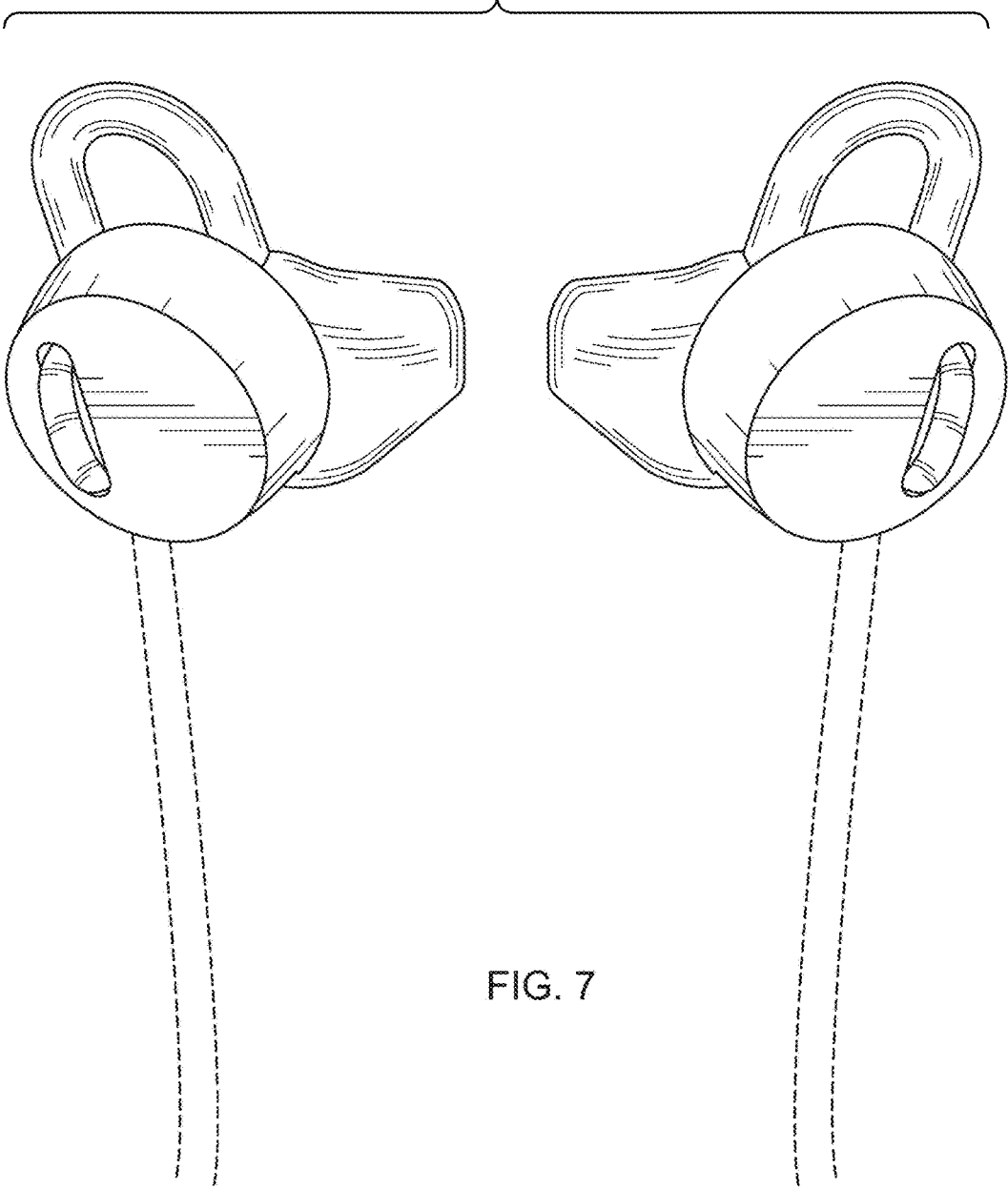


FIG. 7

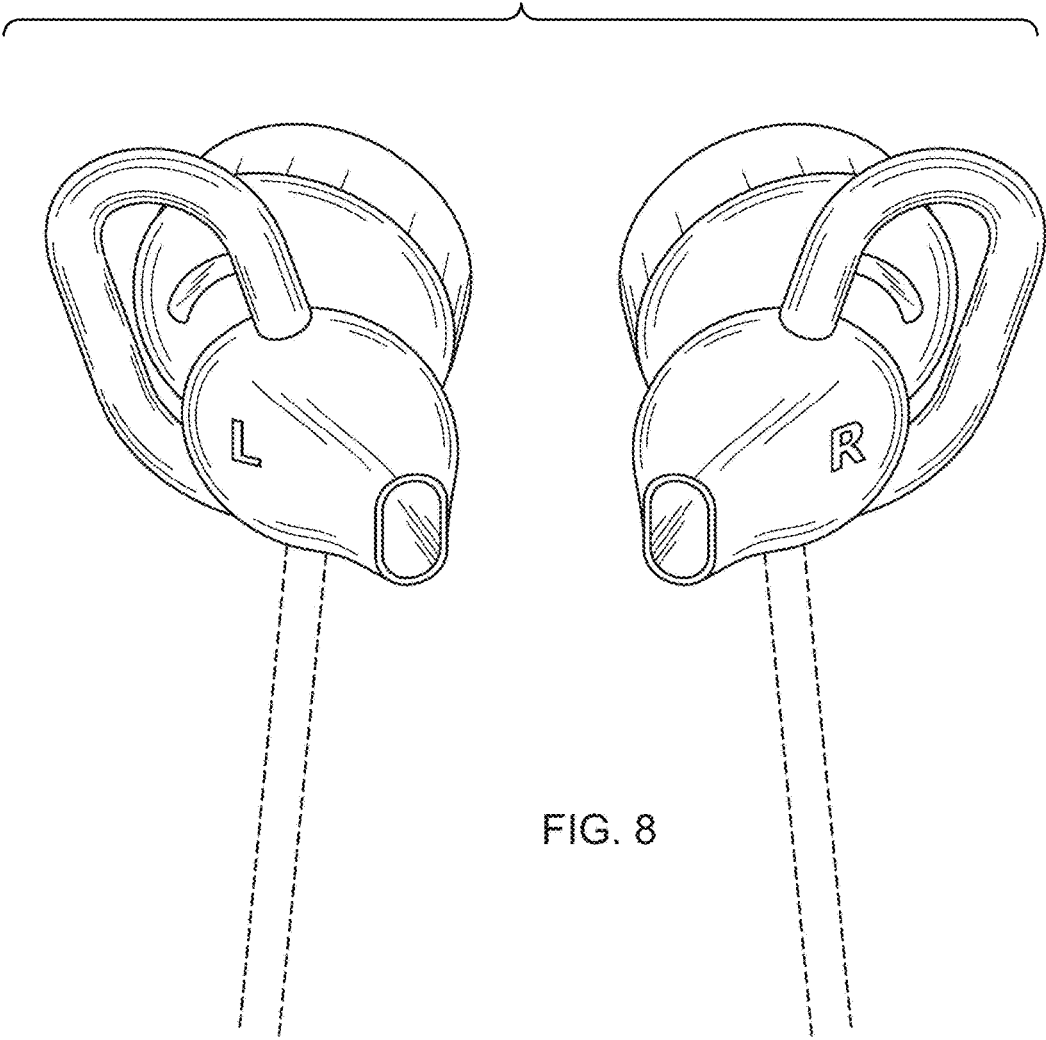


FIG. 8