



US00D712413S

(12) **United States Design Patent**  
**Fukai**

(10) **Patent No.:** **US D712,413 S**

(45) **Date of Patent:** **\*\* Sep. 2, 2014**

- (54) **COVER, KEYBOARD, AND STAND FOR AN ELECTRONIC DISPLAY**
- (71) Applicant: **Brian H. Fukai**, Los Angeles, CA (US)
- (72) Inventor: **Brian H. Fukai**, Los Angeles, CA (US)
- (\*\*) Term: **14 Years**
- (21) Appl. No.: **29/446,354**
- (22) Filed: **Feb. 22, 2013**
- (51) **LOC (10) Cl.** ..... **14-02**
- (52) **U.S. Cl.**  
USPC ..... **D14/440**
- (58) **Field of Classification Search**  
USPC ..... D14/250, 251, 253, 240, 217, 496, 440,  
D14/203.3, 203.4, 203.5, 203.8, 447;  
D3/218, 215, 201; 220/4.02;  
248/309.1; 361/679.56; 379/426,  
379/433.11, 455; 455/575.1, 575.8;  
190/100; 206/305, 320  
See application file for complete search history.

(56) **References Cited**

**U.S. PATENT DOCUMENTS**

D68,865 S *	11/1925	Lester	.....	D3/304
D551,847 S *	10/2007	Yeap et al.	.....	D3/201
D592,188 S *	5/2009	Huang	.....	D14/217
D619,586 S *	7/2010	Richter	.....	D14/447
D641,610 S *	7/2011	Sedalo	.....	D8/354
D651,606 S *	1/2012	Luijben	.....	D14/447
D660,305 S *	5/2012	Ho et al.	.....	D14/447
D662,925 S *	7/2012	Mayberry et al.	.....	D14/250
D669,481 S *	10/2012	Prescott et al.	.....	D14/447
D669,890 S *	10/2012	Hopkins et al.	.....	D14/251
D673,960 S *	1/2013	Lindfield et al.	.....	D14/447
D674,803 S *	1/2013	Westrup	.....	D14/440
D674,804 S *	1/2013	Cote	.....	D14/447
D675,625 S *	2/2013	Hasbrook et al.	.....	D14/440
D676,037 S *	2/2013	Schupsky	.....	D14/253

D676,453 S *	2/2013	Hsu et al.	.....	D14/447
D677,261 S *	3/2013	Hsu et al.	.....	D14/447
D679,693 S *	4/2013	Rashid	.....	D14/250
D682,281 S *	5/2013	Barnard et al.	.....	D14/447
D683,348 S *	5/2013	Xiang et al.	.....	D14/447
D685,376 S *	7/2013	Kim	.....	D14/439
D686,629 S *	7/2013	Trinh et al.	.....	D14/447
D689,502 S *	9/2013	Belitz et al.	.....	D14/447
D692,432 S *	10/2013	Liu et al.	.....	D14/440
D693,822 S *	11/2013	Bates et al.	.....	D14/440
D701,511 S *	3/2014	He	.....	D14/447
2003/0222149 A1 *	12/2003	Solomon et al.	.....	235/472.01

(Continued)

*Primary Examiner* — Cynthia Underwood

(74) *Attorney, Agent, or Firm* — George P. White

(57) **CLAIM**

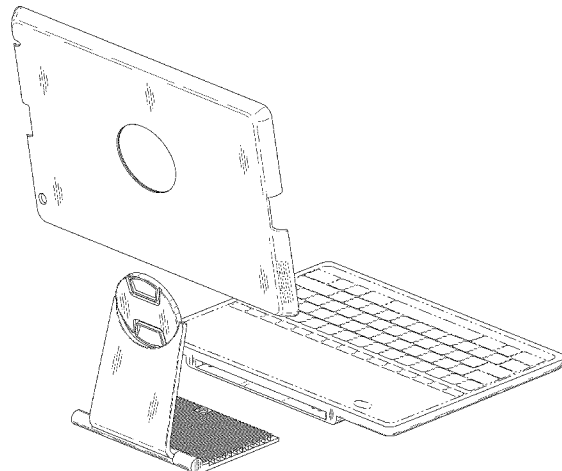
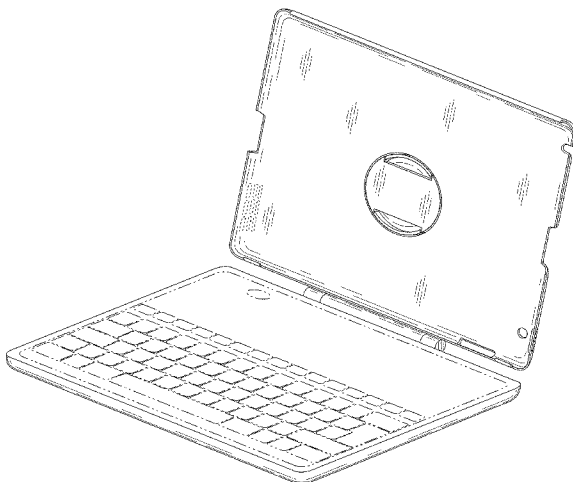
The ornamental design for a cover, keyboard, and stand for an electronic display, as shown and described.

**DESCRIPTION**

FIG. 1 shows a front perspective view of a cover, keyboard, and stand for an electronic display in an open state; FIG. 2 shows a front perspective view thereof in a closed state; FIG. 3 shows a rear perspective view thereof in a detached state; FIG. 4 shows a rear perspective view thereof; FIG. 5 shows a right side view thereof in a closed state; FIG. 6 shows a left side view thereof in a closed state; FIG. 7 shows a front view of thereof in a closed state; FIG. 8 shows a back view thereof in closed state; FIG. 9 shows a top view thereof in a closed state; FIG. 10 shows a bottom view thereof in a closed state; and, FIG. 11 shows a front perspective view thereof in a detached state.

The broken lines are included for illustrative purposes only and form no part of the claimed design.

**1 Claim, 9 Drawing Sheets**



(56)

**References Cited**

U.S. PATENT DOCUMENTS

2008/0099646	A1 *	5/2008	Kobara et al. ....	248/309.1	2012/0043247	A1 *	2/2012	Westrup .....	206/472
2008/0237432	A1 *	10/2008	Patterson .....	248/458	2012/0074272	A1 *	3/2012	Hull .....	248/122.1
2011/0310553	A1 *	12/2011	Hsiao .....	361/679.55	2012/0091312	A1 *	4/2012	Baker .....	248/682
					2012/0193496	A1 *	8/2012	Li .....	248/316.1
					2013/0170126	A1 *	7/2013	Lee .....	361/679.17

\* cited by examiner

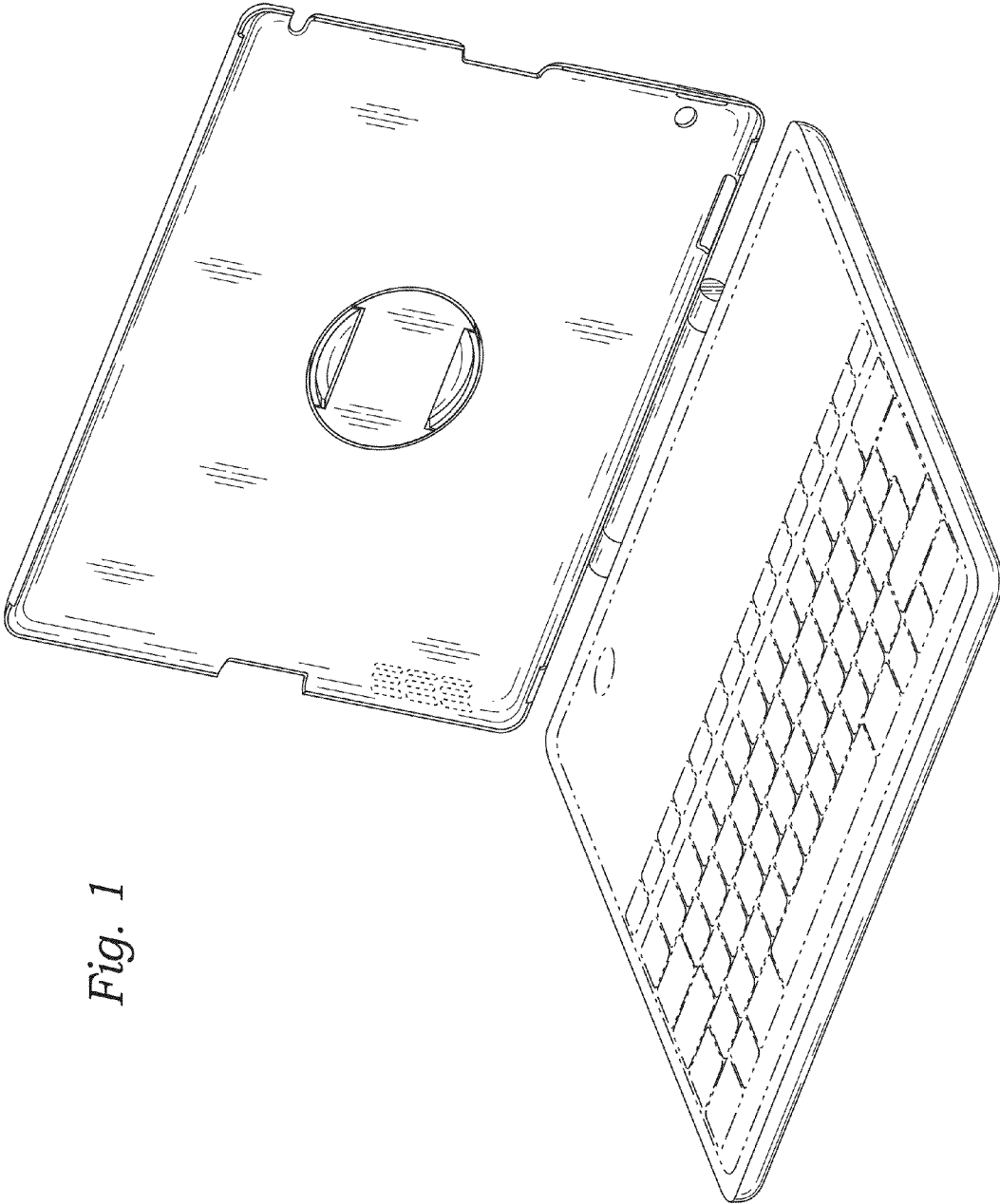
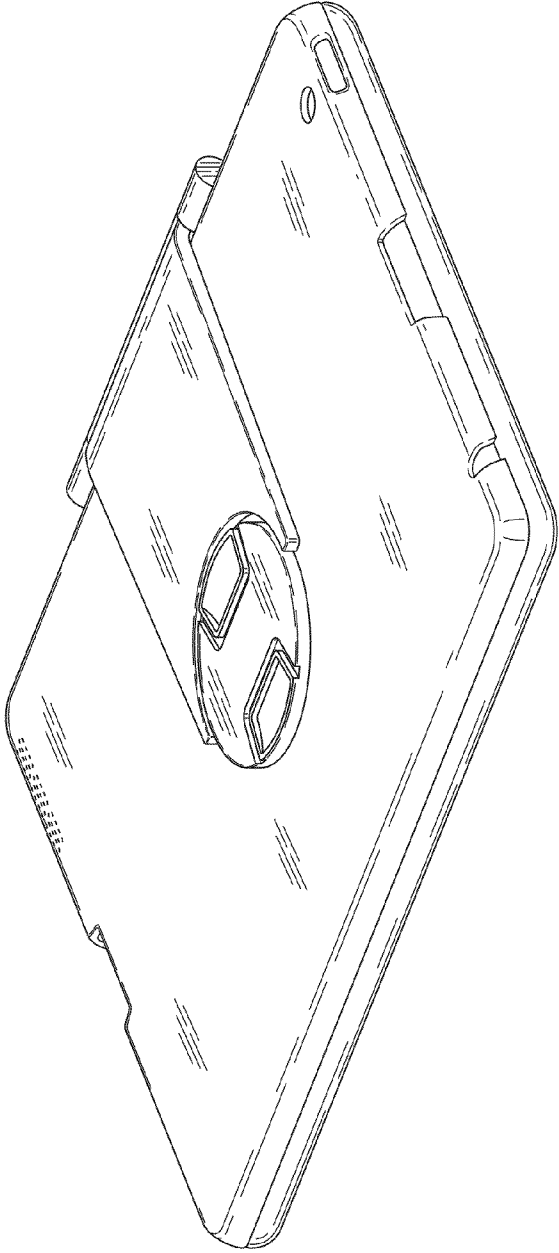
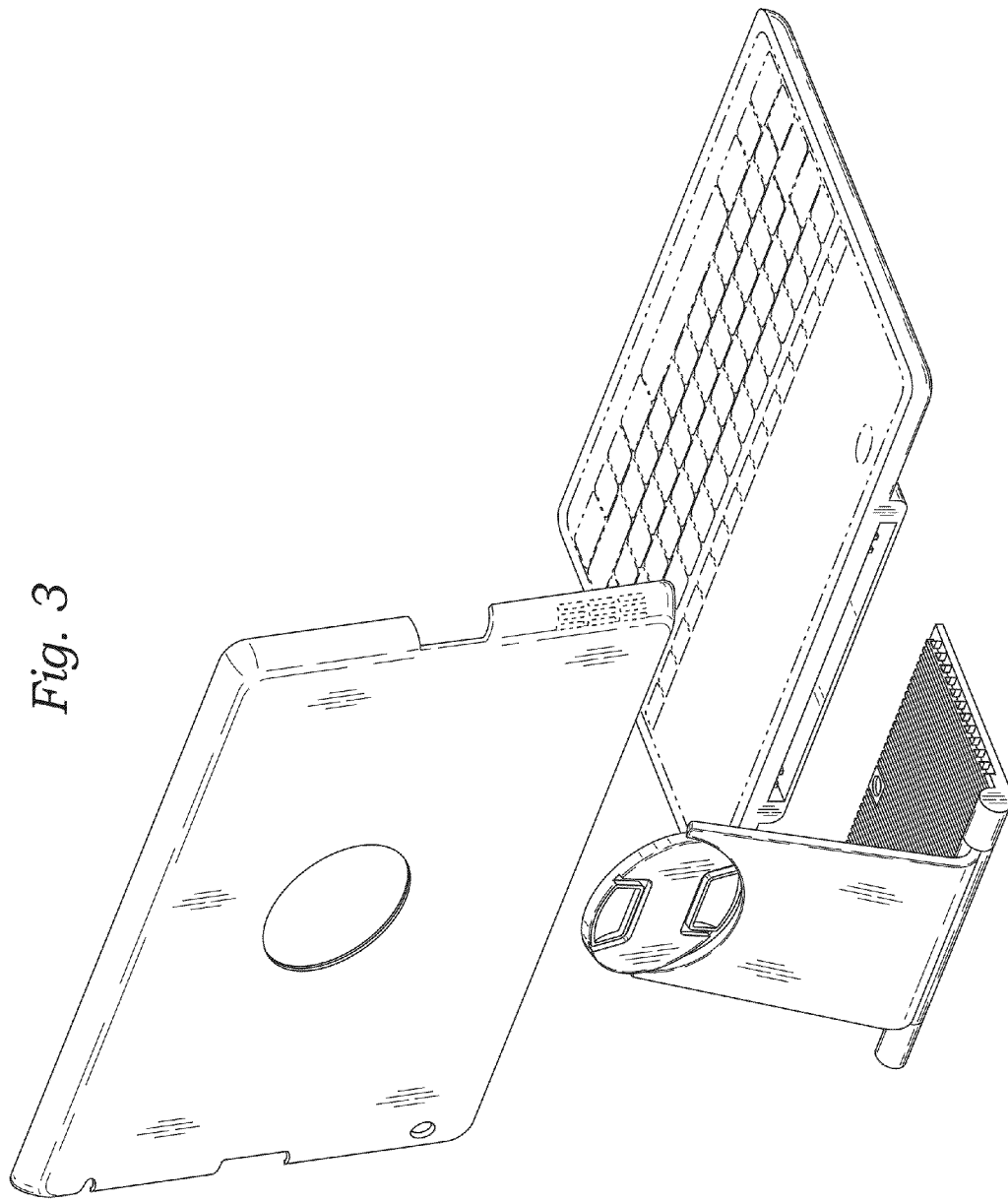


Fig. 1

*Fig. 2*





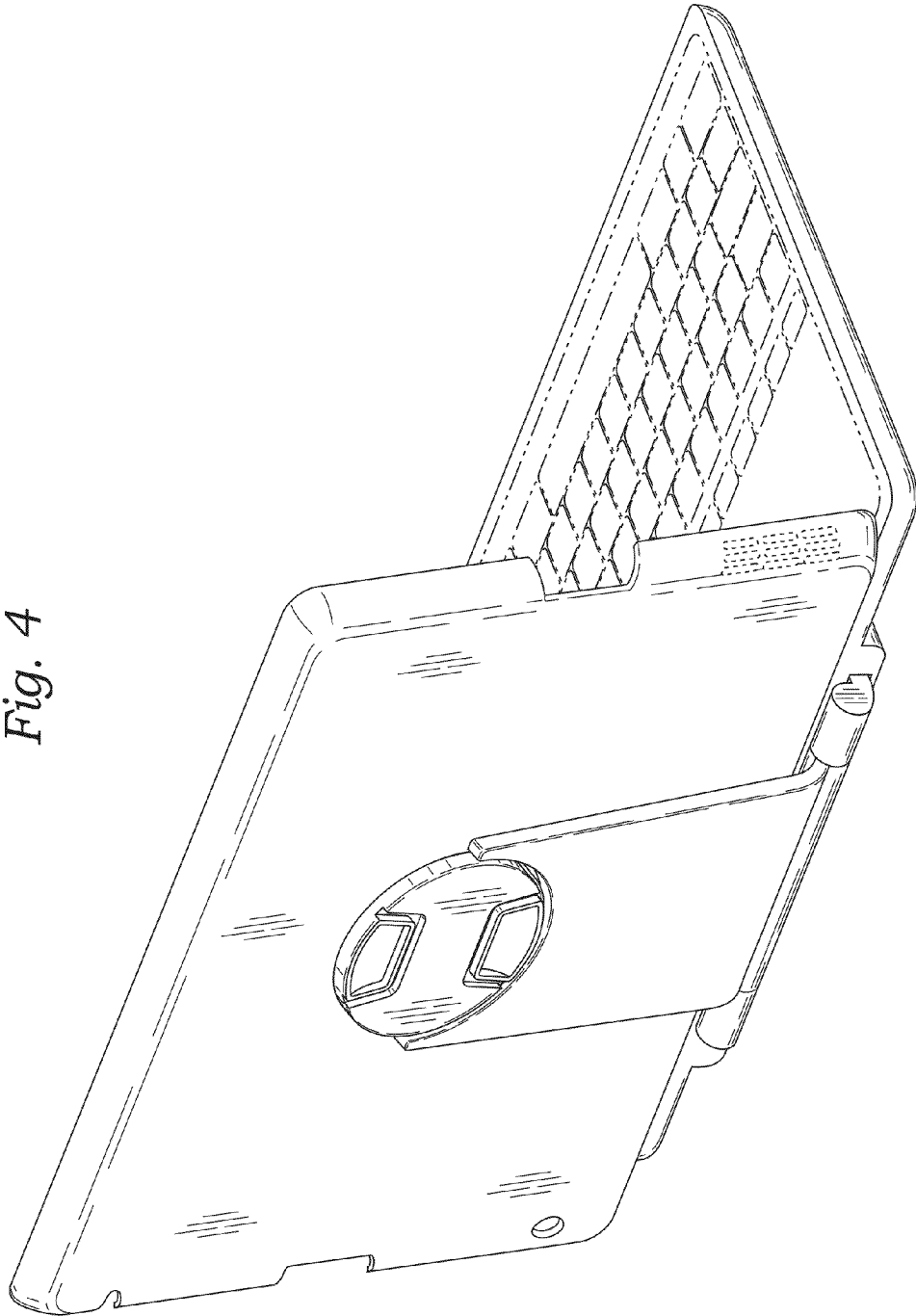
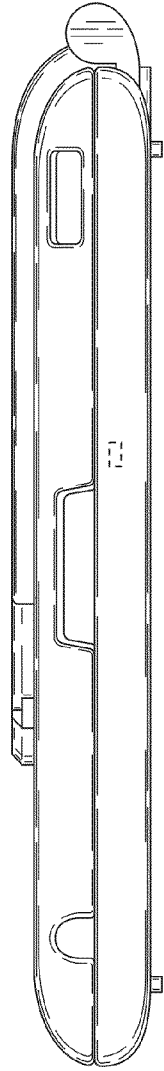
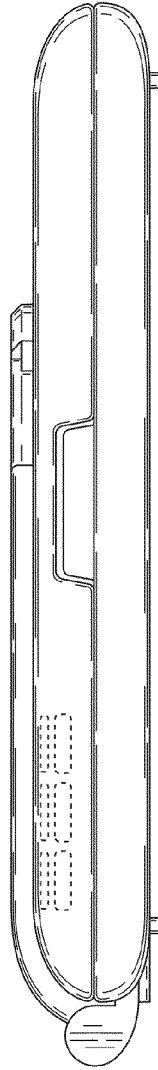


Fig. 4

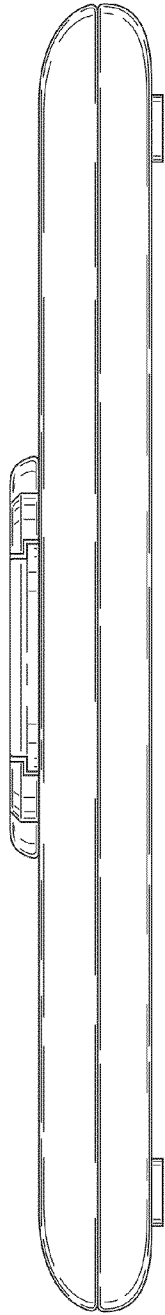
*Fig. 5*



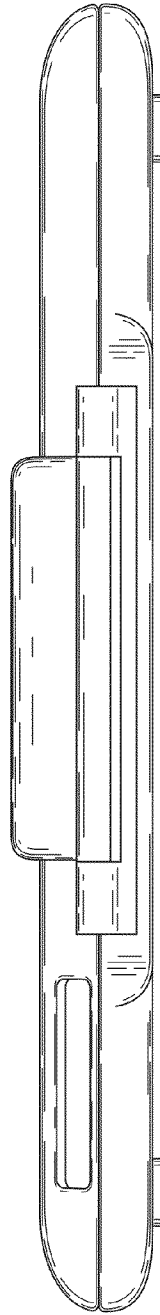
*Fig. 6*



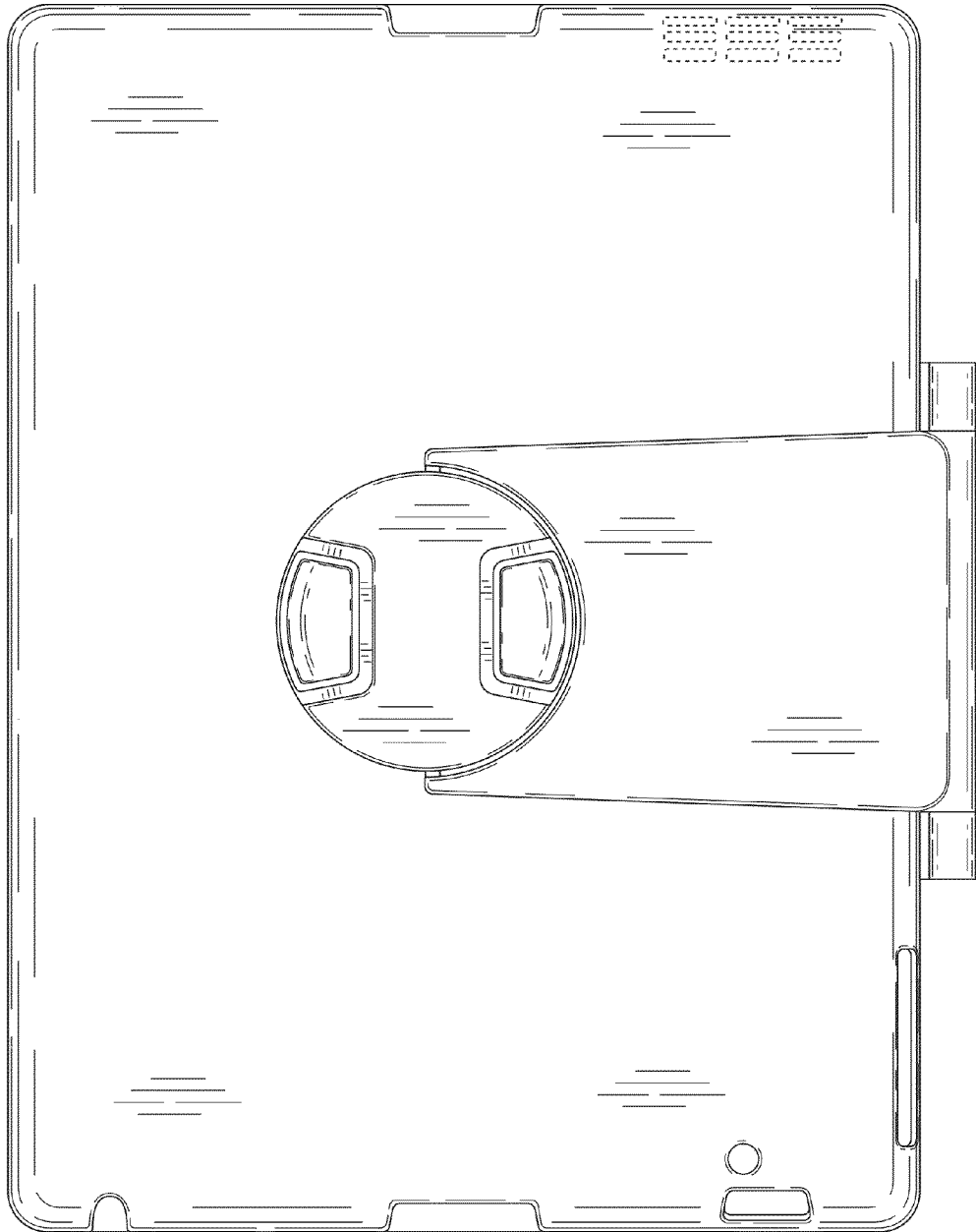
*Fig. 7*



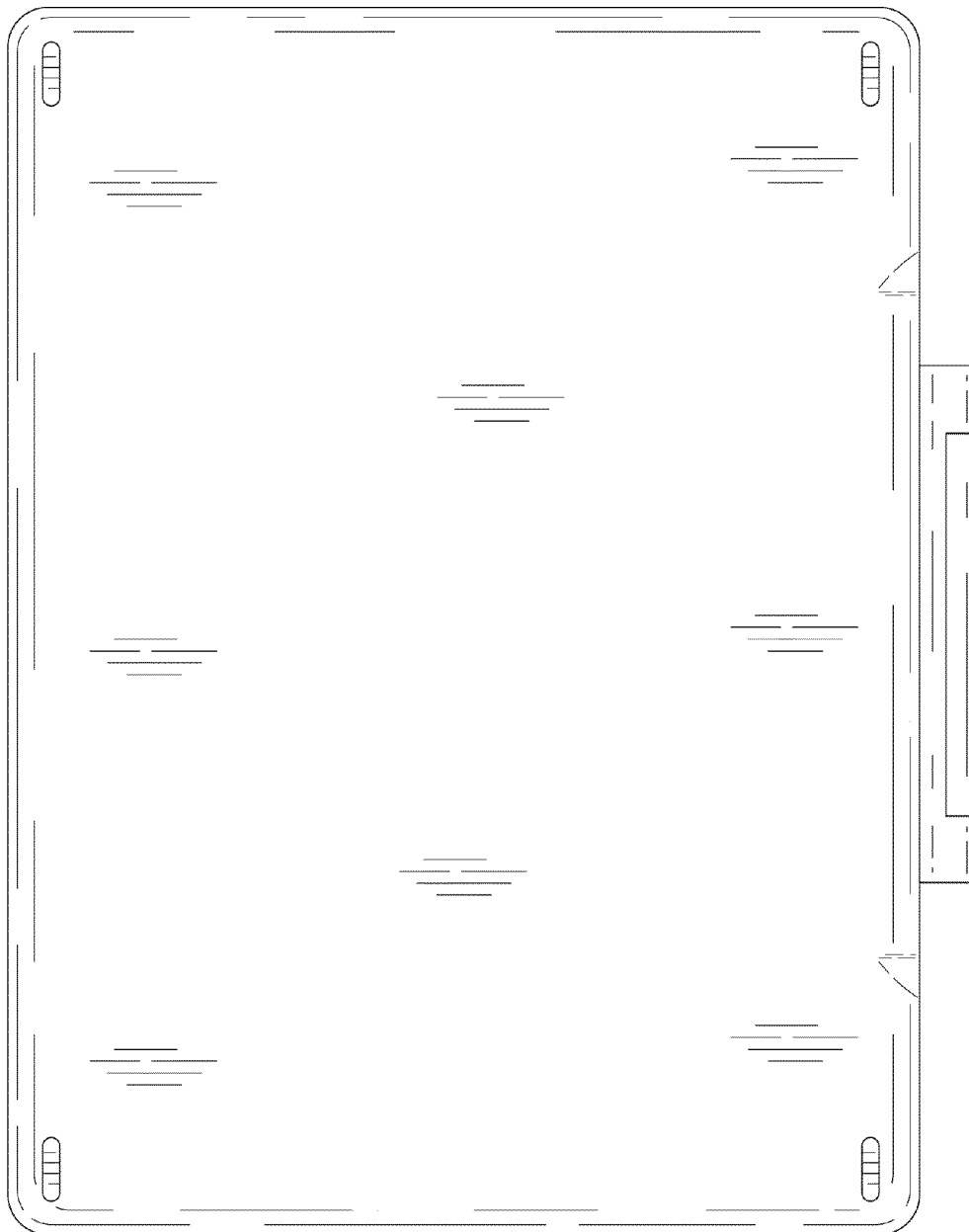
*Fig. 8*



*Fig. 9*



*Fig. 10*



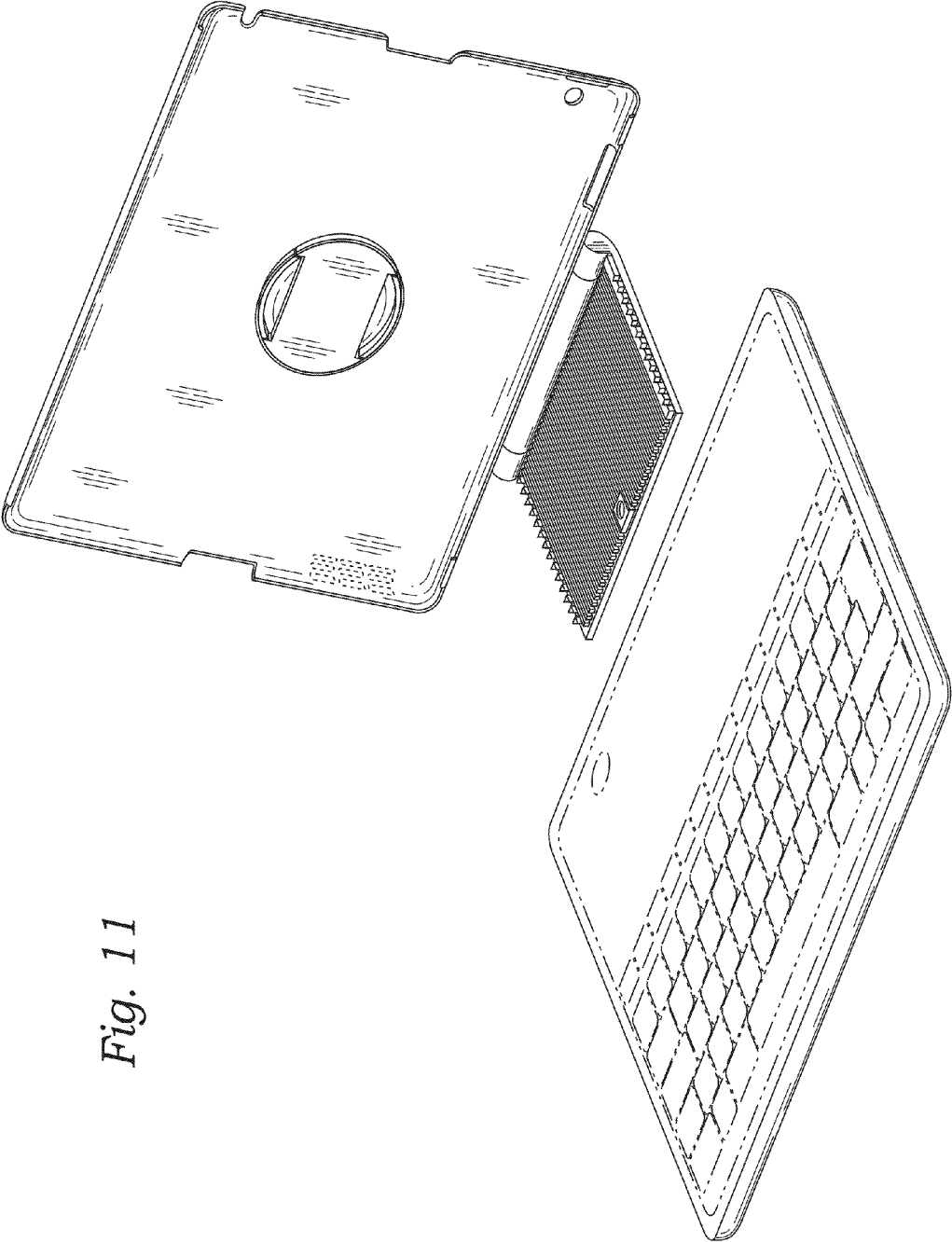


Fig. 11