

(19) World Intellectual Property Organization  
International Bureau



(43) International Publication Date  
10 November 2011 (10.11.2011)

PCT

(10) International Publication Number  
WO 2011/139632 A3

- (51) International Patent Classification:  
A61N 1/372 (2006.01) A61N 1/05 (2006.01)  
A61N 1/36 (2006.01)
- (21) International Application Number:  
PCT/US2011/033770
- (22) International Filing Date:  
25 April 2011 (25.04.2011)
- (25) Filing Language: English
- (26) Publication Language: English
- (30) Priority Data:  
61/329,173 29 April 2010 (29.04.2010) US
- (71) Applicant (for all designated States except US): DO-  
NATELLE PLASTICS, INC. [US/US]; 501 County  
Road E-2 Ext., New Brighton, Minnesota 55112 (US).
- (72) Inventors; and
- (75) Inventors/Applicants (for US only): SCHRAMM, Dana  
E. [US/US]; 6971 Lydia Bay, Woodbury, Minnesota  
55125 (US). IWEN, Matthew L. [US/US]; 13044  
Yosemite Avenue South, Savage, Minnesota 55378 (US).  
MILLER, Nick J. [US/US]; 2327 - 119th Lane N.E.,  
Blaine, Minnesota 55449 (US). CALL, Matthew R. [US/  
US]; 2868 - 128th Avenue N.E., Blaine, Minnesota 55449  
(US).

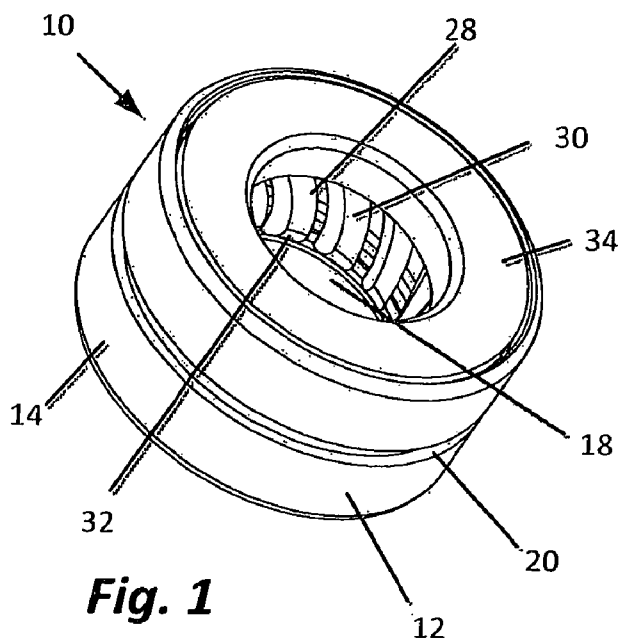
- (74) Agents: NIKOLAI, Thomas J. et al.; Nikolai &  
Mersereau, P.A., 900 Second Avenue South, Suite 820,  
Minneapolis, Minnesota 55402 (US).
- (81) Designated States (unless otherwise indicated, for every  
kind of national protection available): AE, AG, AL, AM,  
AO, AT, AU, AZ, BA, BB, BG, BH, BR, BW, BY, BZ,  
CA, CH, CL, CN, CO, CR, CU, CZ, DE, DK, DM, DO,  
DZ, EC, EE, EG, ES, FI, GB, GD, GE, GH, GM, GT,  
HN, HR, HU, ID, IL, IN, IS, JP, KE, KG, KM, KN, KP,  
KR, KZ, LA, LC, LK, LR, LS, LT, LU, LY, MA, MD,  
ME, MG, MK, MN, MW, MX, MY, MZ, NA, NG, NI,  
NO, NZ, OM, PE, PG, PH, PL, PT, RO, RS, RU, SC, SD,  
SE, SG, SK, SL, SM, ST, SV, SY, TH, TJ, TM, TN, TR,  
TT, TZ, UA, UG, US, UZ, VC, VN, ZA, ZM, ZW.
- (84) Designated States (unless otherwise indicated, for every  
kind of regional protection available): ARIPO (BW, GH,  
GM, KE, LR, LS, MW, MZ, NA, SD, SL, SZ, TZ, UG,  
ZM, ZW), Eurasian (AM, AZ, BY, KG, KZ, MD, RU, TJ,  
TM), European (AL, AT, BE, BG, CH, CY, CZ, DE, DK,  
EE, ES, FI, FR, GB, GR, HR, HU, IE, IS, IT, LT, LU,  
LV, MC, MK, MT, NL, NO, PL, PT, RO, RS, SE, SI, SK,  
SM, TR), OAPI (BF, BJ, CF, CG, CI, CM, GA, GN, GQ,  
GW, ML, MR, NE, SN, TD, TG).

**Declarations under Rule 4.17:**

— as to applicant's entitlement to apply for and be granted  
a patent (Rule 4.17(ii))

[Continued on next page]

(54) Title: HEADER FOR IMPLANTABLE PULSE GENERATOR AND METHOD OF MAKING SAME



**Fig. 1**

(57) Abstract: A header for use in implantable pulse generator devices. The header is part of electrical connector assembly having one or more openings designed to receive the terminal pin of an electrical lead wire or electrode. The header is designed to provide and sustain long-term electrical and mechanical lead wire connections between the electrodes of a terminal pin and the implantable pulse generator device.



WO 2011/139632 A3



**Published:**

**(88) Date of publication of the international search report:**

19 April 2012

- *with international search report (Art. 21(3))*
- *before the expiration of the time limit for amending the claims and to be republished in the event of receipt of amendments (Rule 48.2(h))*

**A. CLASSIFICATION OF SUBJECT MATTER***A61N 1/372(2006.01)i, A61N 1/36(2006.01)i, A61N 1/05(2006.01)i*

According to International Patent Classification (IPC) or to both national classification and IPC

**B. FIELDS SEARCHED**

Minimum documentation searched (classification system followed by classification symbols)

A61N 1/372; A61N 1/02; H01R 13/187; A61N 1/00; H01R 13/58; A61N 1/375

Documentation searched other than minimum documentation to the extent that such documents are included in the fields searched

Korean utility models and applications for utility models

Japanese utility models and applications for utility models

Electronic data base consulted during the international search (name of data base and, where practicable, search terms used)

eKOMPASS(KIPO internal) &amp; Keywords: implantable, header, spring, bore, ring, strain, assembly, seal, molding, window, lock, sleeve

**C. DOCUMENTS CONSIDERED TO BE RELEVANT**

Category*	Citation of document, with indication, where appropriate, of the relevant passages	Relevant to claim No.
A	US 2008-0255631 A1 (ROBBIE J. SJOSTEDT et al.) 16 October 2008 See claim 8, abstract, figures 1-8	1-28
A	US 5662692 A (PAUL M. PASPA et al.) 02 September 1997 See claim 1, column 8, lines 19-51, figures 11-15	1-28
A	US 2006-0264122 A1 (KATHRYN AMAN et al.) 23 November 2006 See claims 1-3, paragraphs [0038]-[0039], figure 2	1-28
A	US 5261395 A (FARRELL G. OLEEN et al.) 16 November 1993 See claims 1, 2, abstract, figures 1A-4	1-28
A	US 7299095 B1 (ANNA BARLOW et al.) 20 November 2007 See claims 1-3, abstract, figures 4 and 5	1-28

 Further documents are listed in the continuation of Box C. See patent family annex.

\* Special categories of cited documents:

"A" document defining the general state of the art which is not considered to be of particular relevance

"E" earlier application or patent but published on or after the international filing date

"L" document which may throw doubts on priority claim(s) or which is cited to establish the publication date of citation or other special reason (as specified)

"O" document referring to an oral disclosure, use, exhibition or other means

"P" document published prior to the international filing date but later than the priority date claimed

"T" later document published after the international filing date or priority date and not in conflict with the application but cited to understand the principle or theory underlying the invention

"X" document of particular relevance; the claimed invention cannot be considered novel or cannot be considered to involve an inventive step when the document is taken alone

"Y" document of particular relevance; the claimed invention cannot be considered to involve an inventive step when the document is combined with one or more other such documents, such combination being obvious to a person skilled in the art

"&amp;" document member of the same patent family

Date of the actual completion of the international search

30 JANUARY 2012 (30.01.2012)

Date of mailing of the international search report

**08 FEBRUARY 2012 (08.02.2012)**

Name and mailing address of the ISA/KR

Korean Intellectual Property Office  
Government Complex-Daejeon, 189 Cheongsa-ro,  
Seo-gu, Daejeon 302-701, Republic of Korea

Facsimile No. 82-42-472-7140

Authorized officer

JEON, CHANG IK

Telephone No. 82-42-481-8303



**INTERNATIONAL SEARCH REPORT**

Information on patent family members

International application No.

**PCT/US2011/033770**

Patent document cited in search report	Publication date	Patent family member(s)	Publication date
US 2008-0255631 A1	16.10.2008	EP 2134406 A1	23.12.2009
		EP 2134418 A2	23.12.2009
		EP 2134418 A4	03.11.2010
		US 2008-0246231 A1	09.10.2008
		US 8091226 B2	10.01.2012
		WO 2008-124685 A1	16.10.2008
		WO 2008-127990 A2	23.10.2008
		WO 2008-127990 A3	04.12.2008
		WO 2008-127990 A3	23.10.2008
US 5662692 A	02.09.1997	US 5534019 A	09.07.1996
US 2006-0264122 A1	23.11.2006	None	
US 5261395 A	16.11.1993	None	
US 7299095 B1	20.11.2007	None	