



US00D615561S

(12) **United States Design Patent**
Chapple et al.

(10) **Patent No.:** **US D615,561 S**

(45) **Date of Patent:** **** May 11, 2010**

(54) **MID SECTION FOR RIDE-ON MACHINE**

(76) Inventors: **Larry Jake Chapple**, 4411 Jewell St.,
Boise, ID (US) 83706; **Dane Davis**, 1638
S. Coronado Ave., Boise, ID (US)
83709; **Brian Hammond**, 1930 W.
Mulhuland Ct., Kuna, ID (US) 83634

(**) Term: **14 Years**

(21) Appl. No.: **29/331,676**

(22) Filed: **Jan. 29, 2009**

(51) **LOC (9) Cl.** **15-03**

(52) **U.S. Cl.** **D15/10; D15/17; D15/28**

(58) **Field of Classification Search** **D15/10,**
D15/17, 19, 22, 27, 28; 404/85, 96, 112

See application file for complete search history.

(56) **References Cited**

U.S. PATENT DOCUMENTS

4,046,484	A	9/1977	Holz, Sr. et al.	
D323,510	S	1/1992	Allen et al.	
5,108,220	A	4/1992	Allen et al.	
5,238,323	A	8/1993	Allen et al.	
D344,736	S	3/1994	Allen et al.	
5,480,257	A	1/1996	Allen	
5,480,258	A	1/1996	Allen	
5,613,801	A	3/1997	Allen	
5,658,089	A *	8/1997	Allen	404/112
5,685,667	A	11/1997	Allen	
5,803,658	A	9/1998	Allen	
5,816,740	A	10/1998	Jaskowiak	
D400,542	S *	11/1998	Allen	D15/10
5,890,833	A *	4/1999	Allen et al.	404/112
5,934,823	A	8/1999	Allen	
5,967,696	A	10/1999	Allen et al.	
5,988,938	A	11/1999	Allen	
6,053,660	A	4/2000	Allen et al.	
6,089,786	A	7/2000	Allen et al.	
6,106,193	A	8/2000	Allen et al.	
6,250,844	B1	6/2001	Sartler et al.	
D453,344	S	2/2002	Smith et al.	

(Continued)

FOREIGN PATENT DOCUMENTS

EP 1 069 259 A2 1/2001

(Continued)

Primary Examiner—Stella M Reid
Assistant Examiner—Mark A Goodwin
(74) *Attorney, Agent, or Firm*—Elizabeth Herbst Schierman;
Dykas, Shaver & Nipper, LLP

(57) **CLAIM**

The ornamental design for a mid section for ride-on machine,
as shown and described.

DESCRIPTION

FIG. 1 is a front, top, right side isometric view of a mid section
for ride-on machine showing our new design;

FIG. 2 is a front elevation view thereof;

FIG. 3 is a right side view thereof;

FIG. 4 is a back elevation view thereof;

FIG. 5 is a top plan view thereof;

FIG. 6 is a left side view thereof;

FIG. 7 is a bottom plan view thereof;

FIG. 8 is a bottom, back, left side isometric view thereof;

FIG. 9 is a bottom, front, left side isometric view thereof;

FIG. 10 is a front, top, right side isometric view of a mid
section for ride-on machine showing our new design in use
condition on a ride-on machine;

FIG. 11 is a bottom plan view thereof;

FIG. 12 is a left side view thereof;

FIG. 13 is a top plan view thereof;

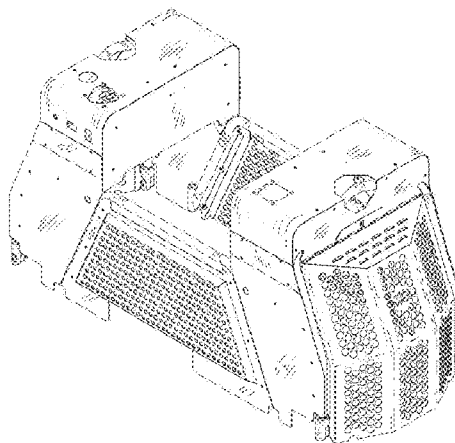
FIG. 14 is a back view thereof;

FIG. 15 is a right side view thereof; and,

FIG. 16 is a front view thereof.

The broken line showing of a ride on machine in FIGS. 10–16
is included for the purpose of illustrating environmental
structure and forms no part of the claimed design.

1 Claim, 16 Drawing Sheets



US D615,561 S

Page 2

U.S. PATENT DOCUMENTS

6,368,016 B1 * 4/2002 Smith et al. 404/112
D466,909 S * 12/2002 Allen et al. D15/10
D474,203 S * 5/2003 Allen et al. D15/10
6,582,153 B1 * 6/2003 Allen et al. 404/112
6,592,290 B2 7/2003 Jaskowiak
D602,961 S * 10/2009 Chapple et al. D15/10
2008/0019774 A1 * 1/2008 Stenzel 404/112

2009/0028642 A1 * 1/2009 Berritta 404/112
2009/0047070 A1 * 2/2009 Grahl 404/101
2009/0169300 A1 * 7/2009 Allen et al. 404/112

FOREIGN PATENT DOCUMENTS

EP 1 069 260 A2 1/2001

* cited by examiner

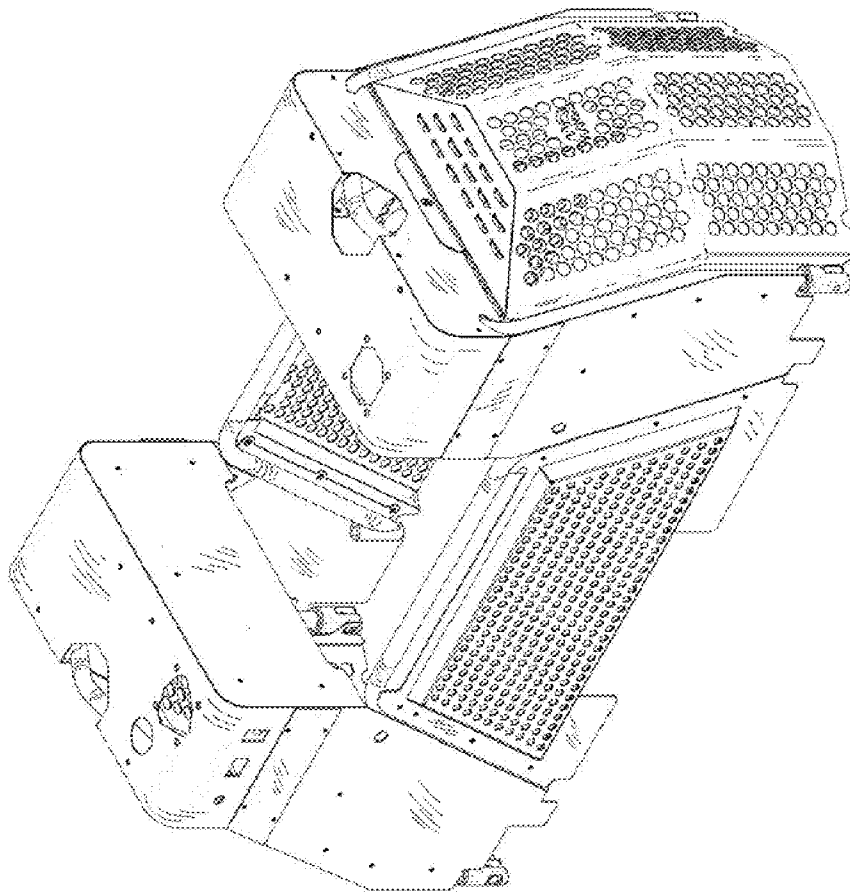


Fig. 1

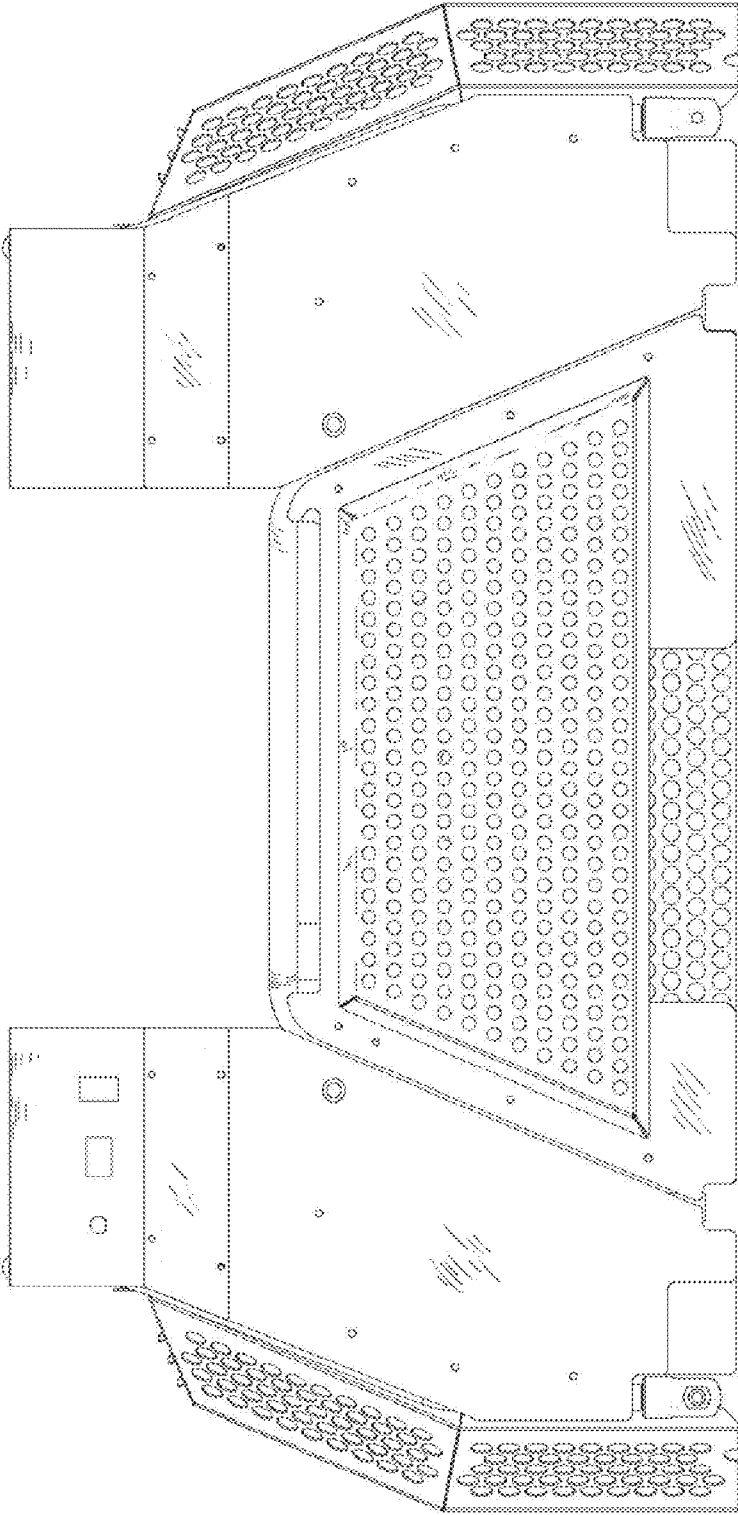


Fig. 2

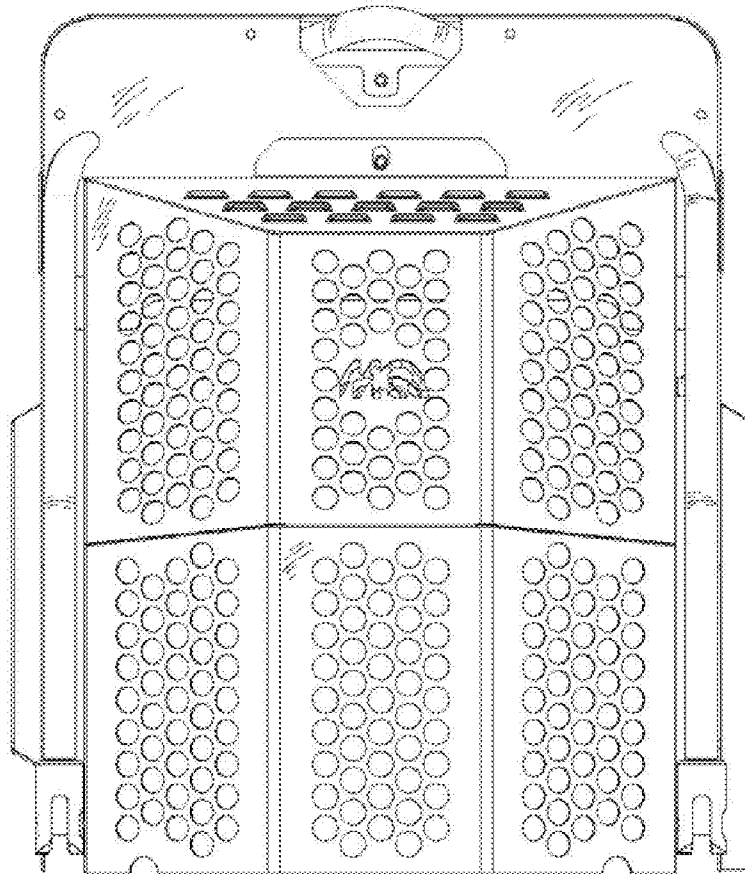


Fig. 3

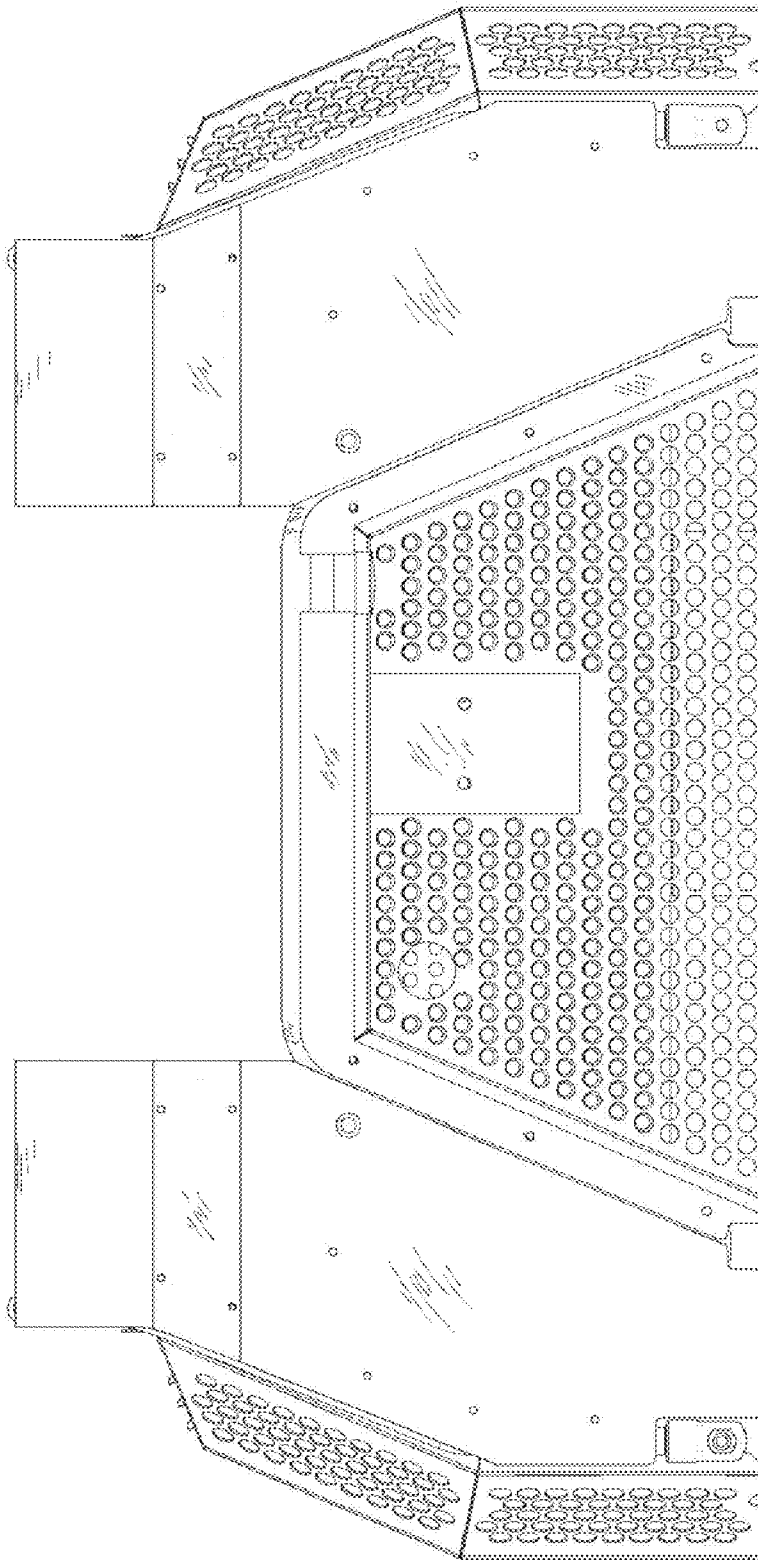


Fig. 4

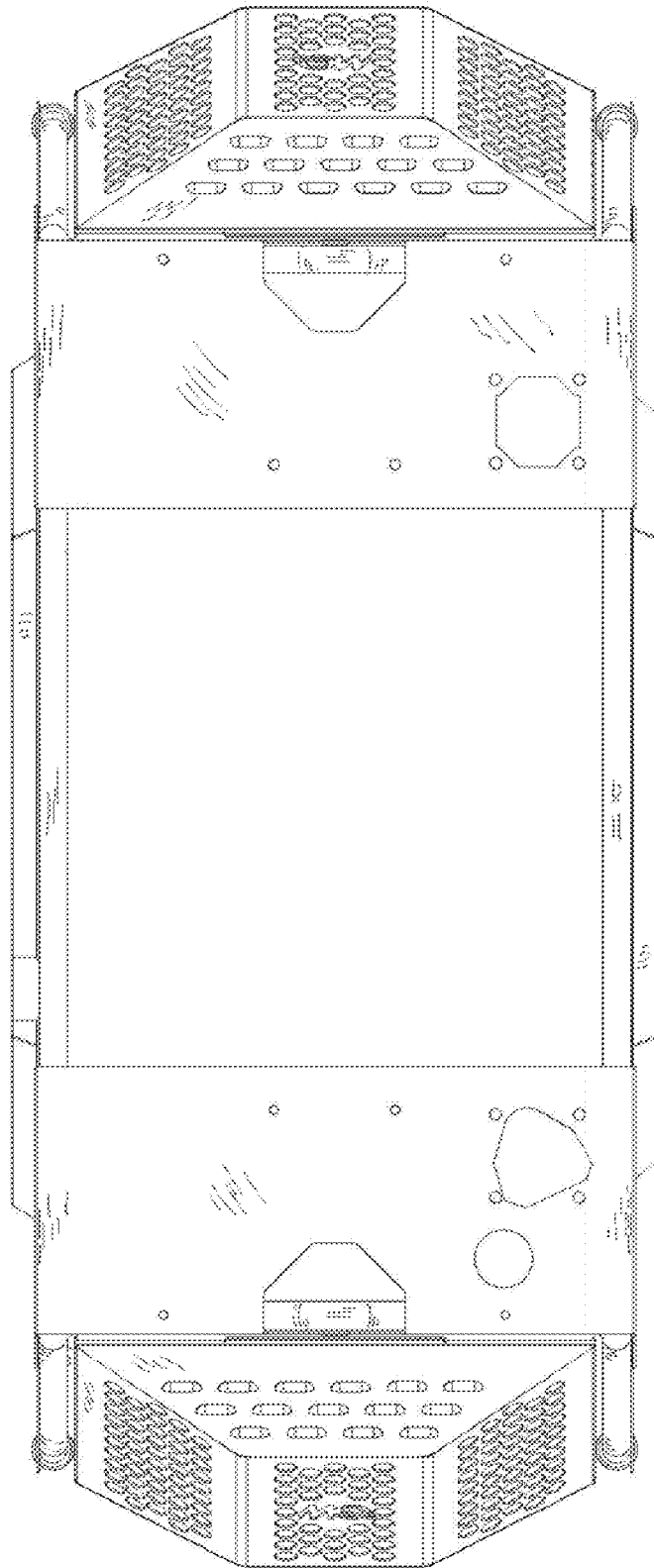


Fig. 5

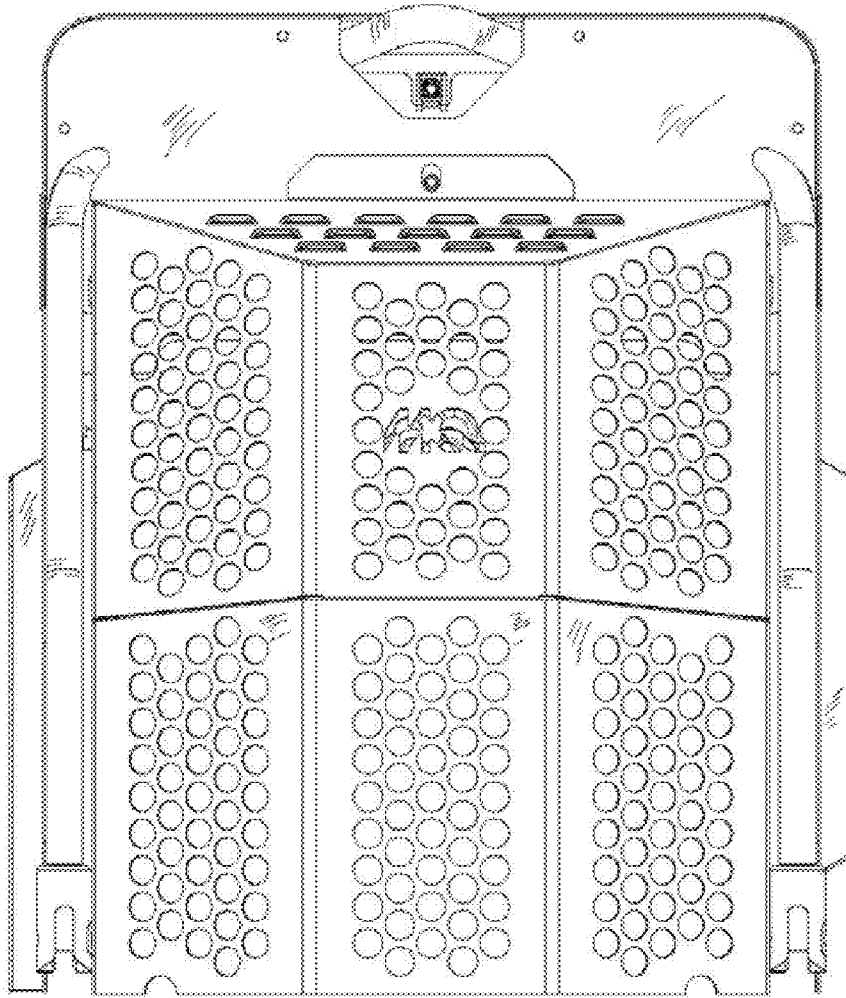


Fig. 6

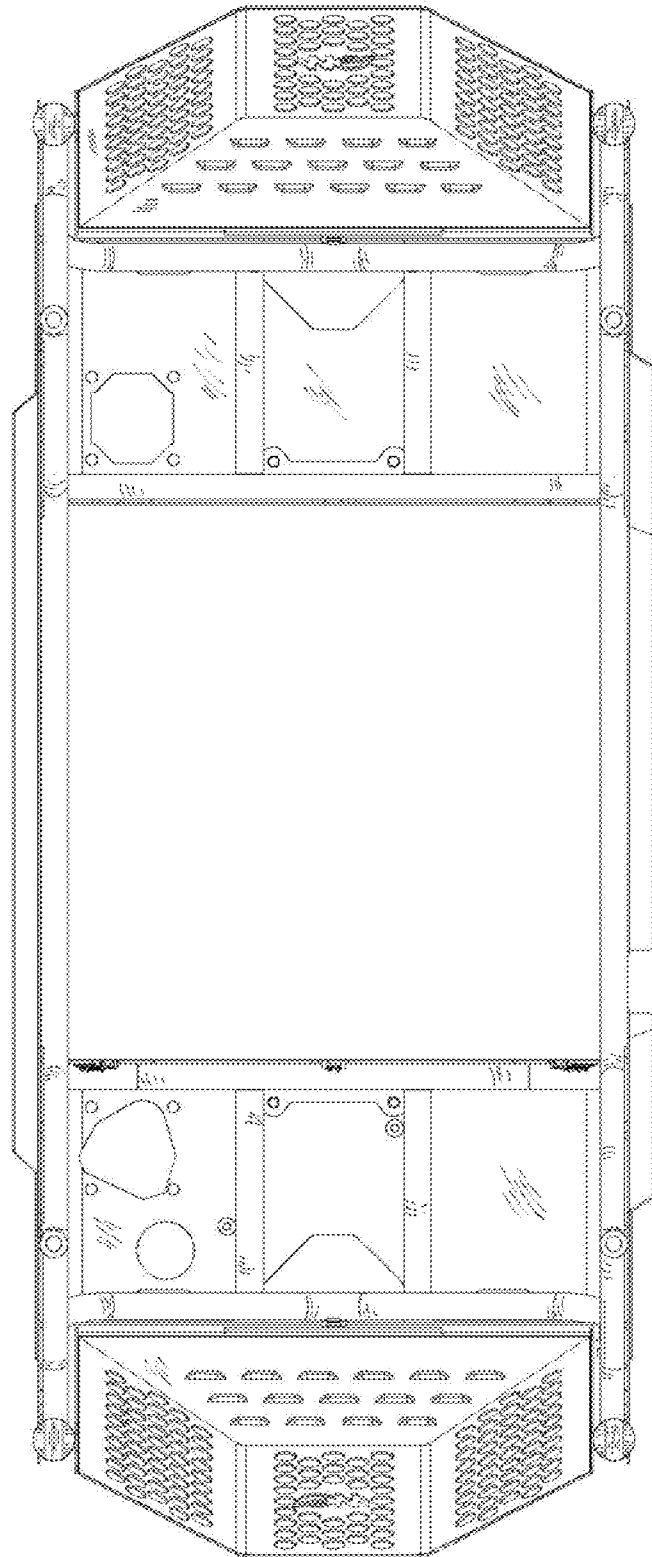


Fig. 7

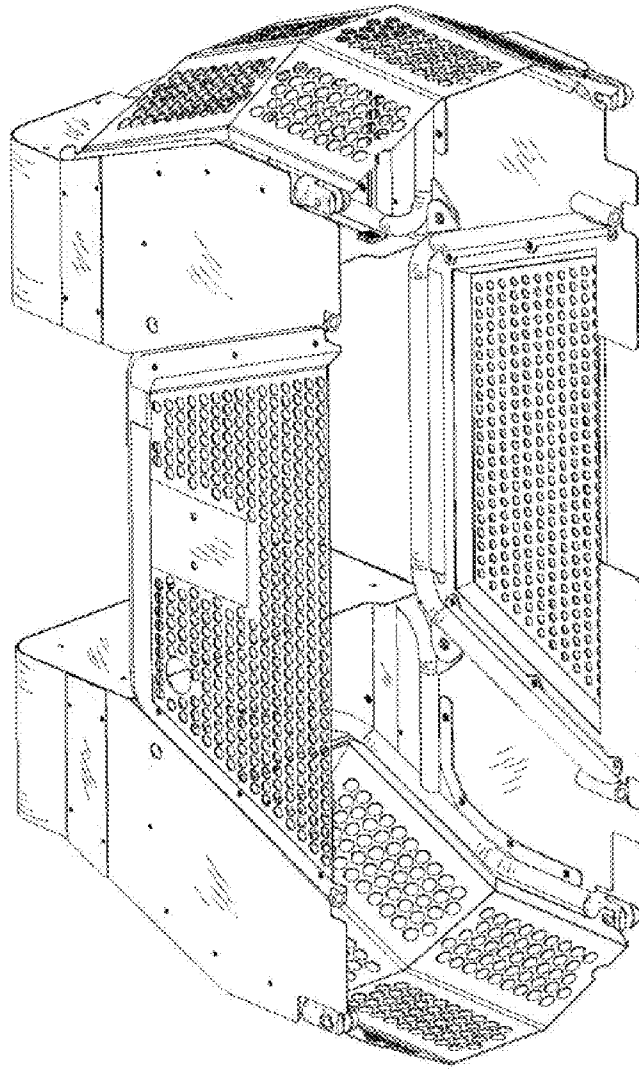


Fig. 8

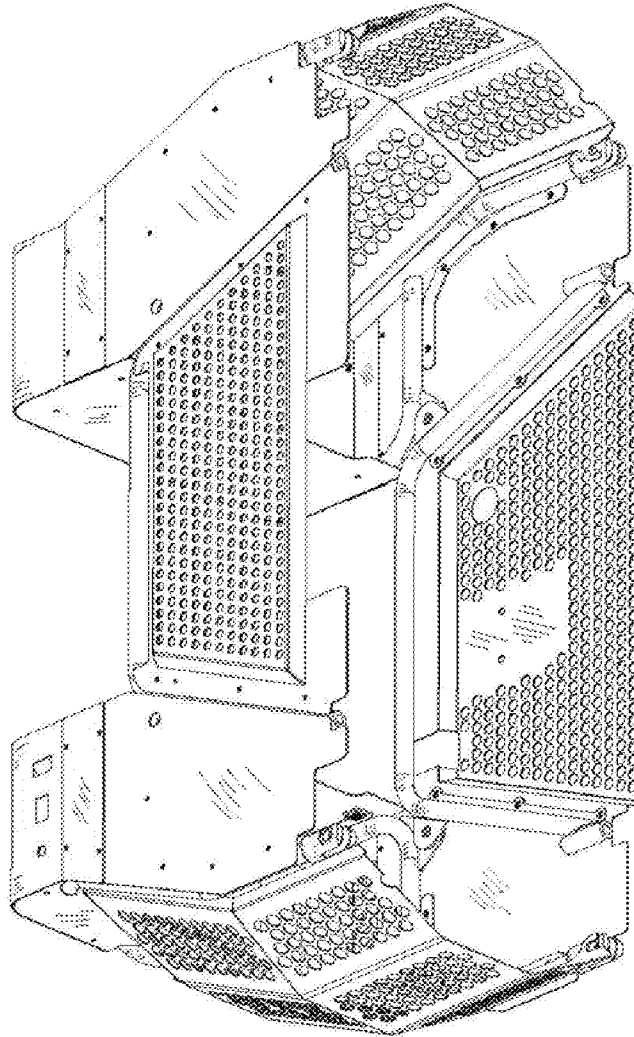


Fig. 9

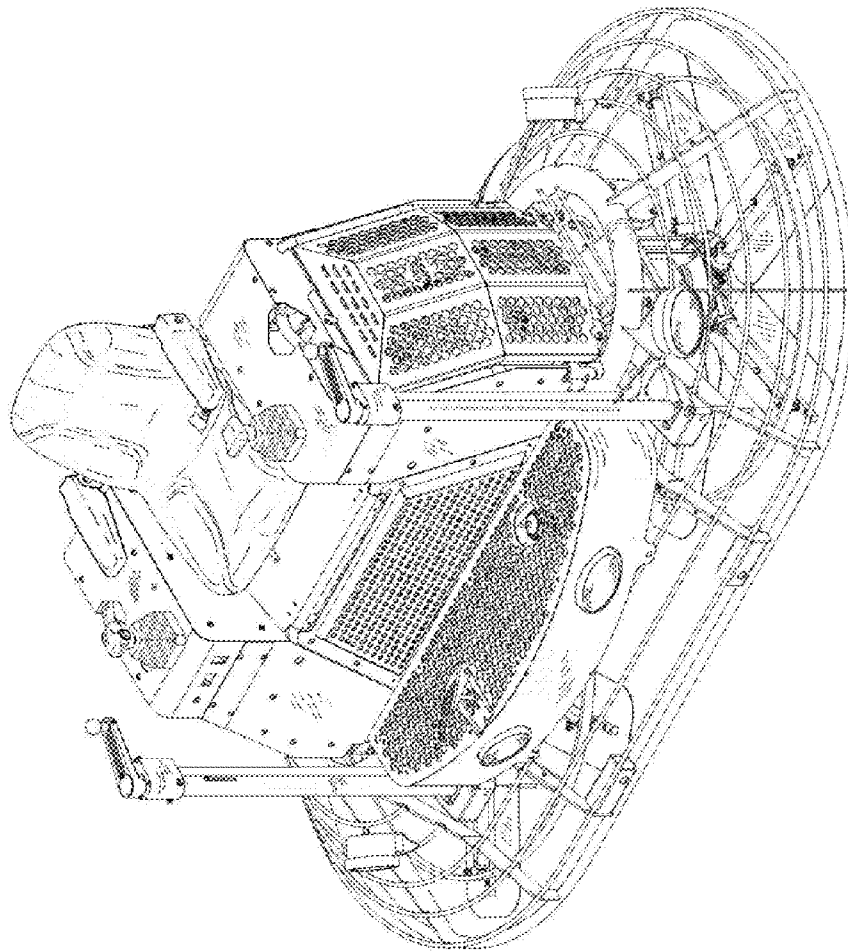


Fig. 10

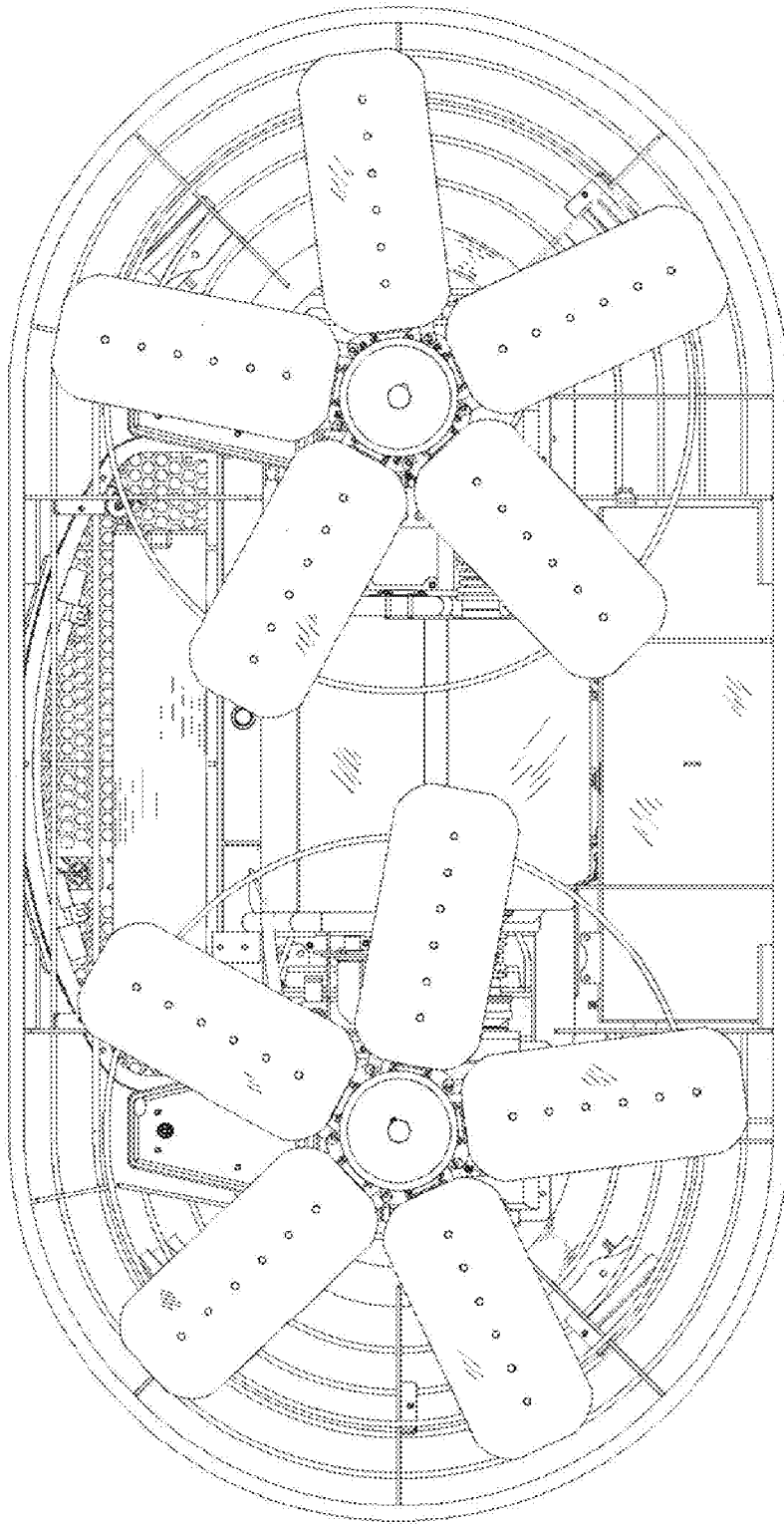


Fig. 11

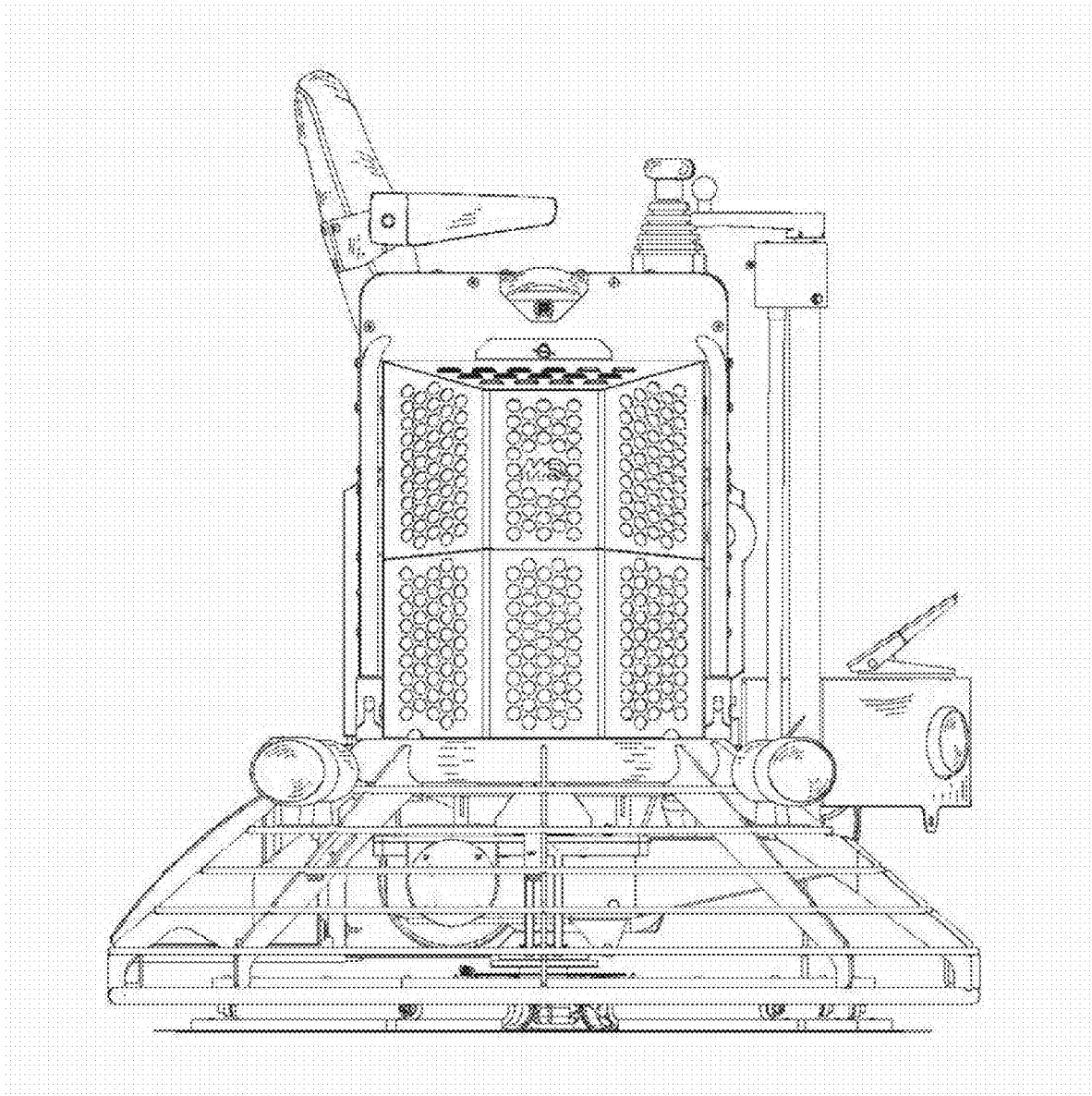


Fig. 12

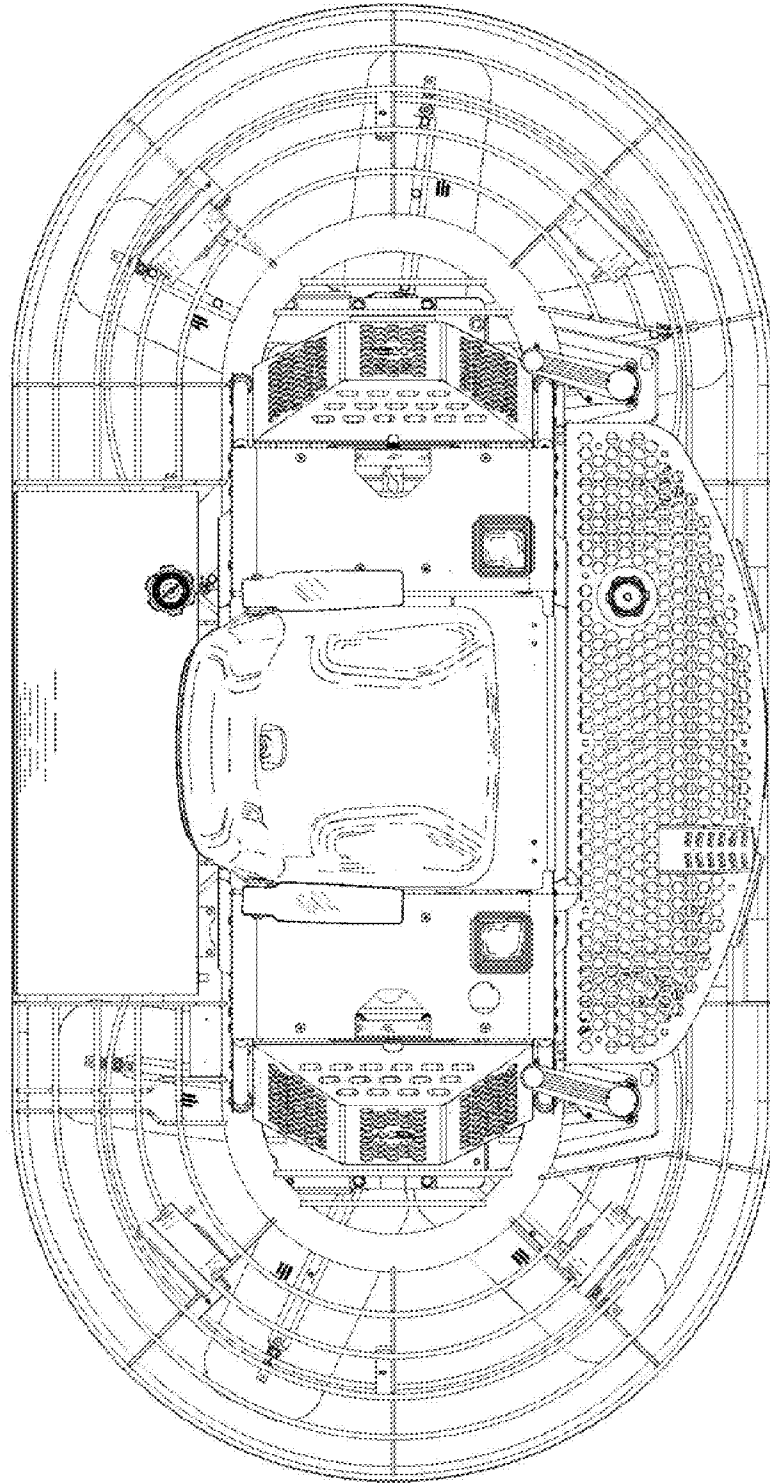


Fig. 13

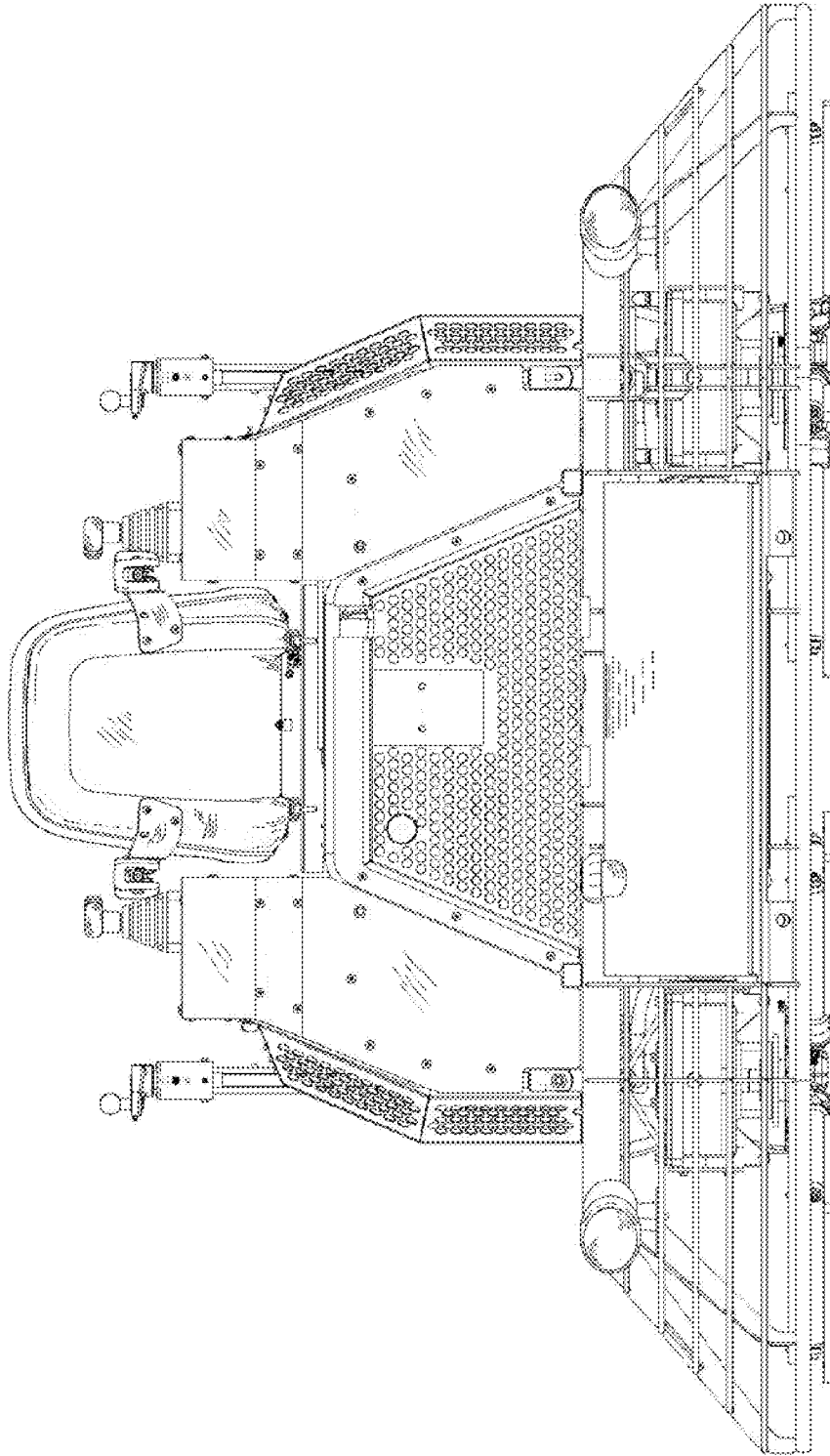


Fig. 14

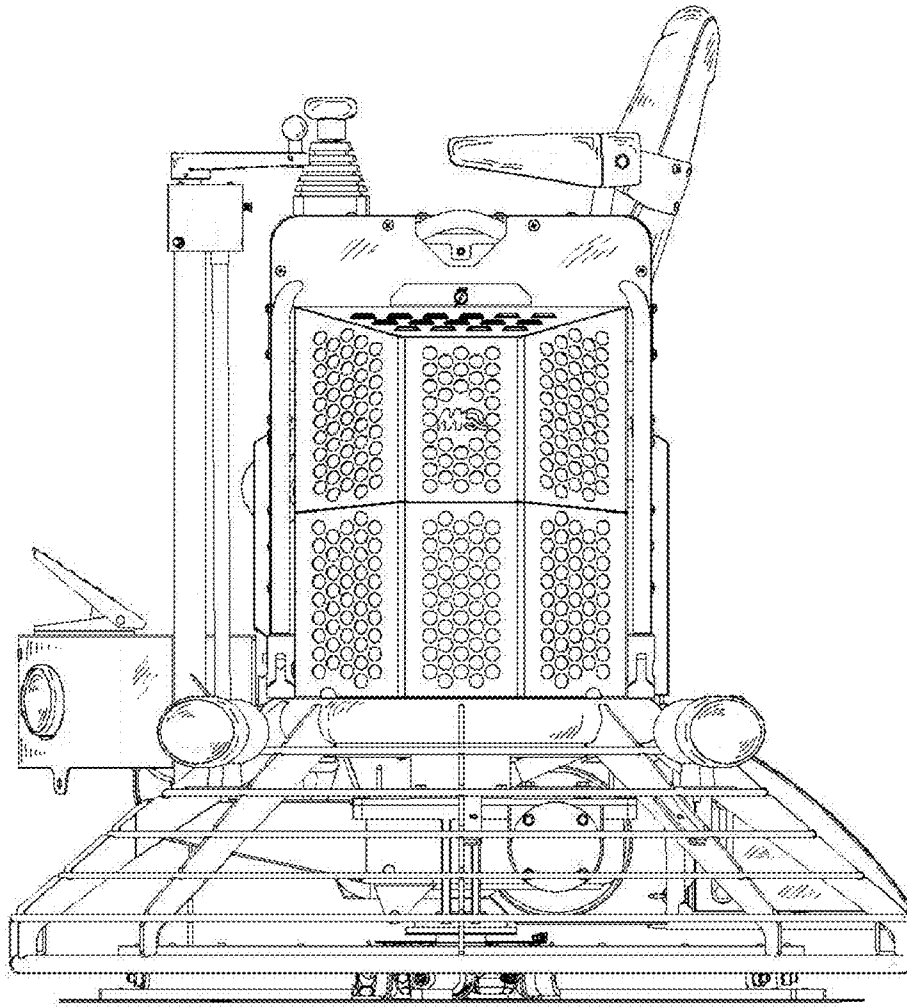


Fig. 15

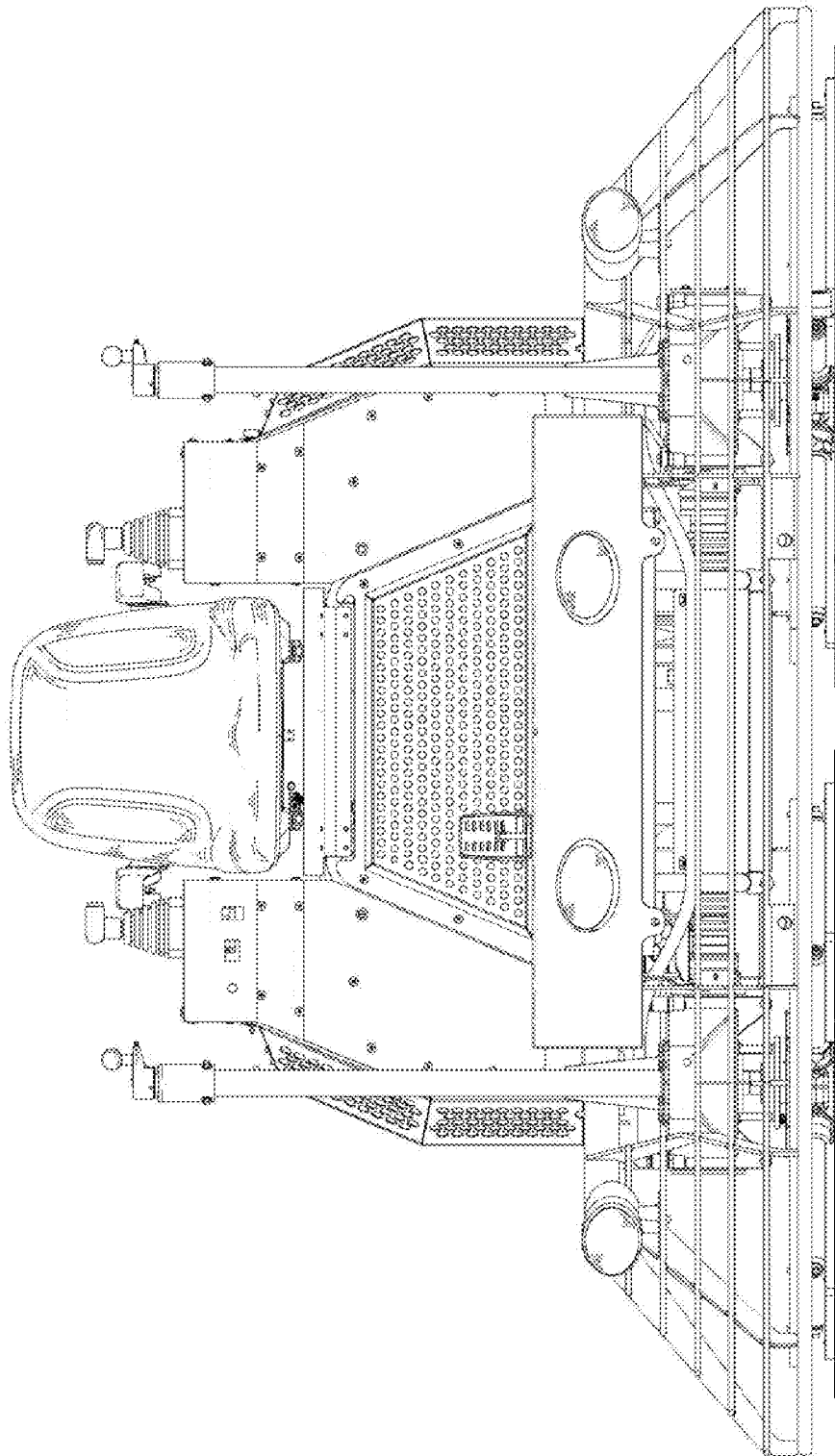


Fig. 16

UNITED STATES PATENT AND TRADEMARK OFFICE
CERTIFICATE OF CORRECTION

PATENT NO. : Des. 615,561 S
APPLICATION NO. : 29/331676
DATED : May 11, 2010
INVENTOR(S) : Larry Jake Chapple

Page 1 of 4

It is certified that error appears in the above-identified patent and that said Letters Patent is hereby corrected as shown below:

In the drawings, Sheet 10, Fig. 10 should appear as follows:

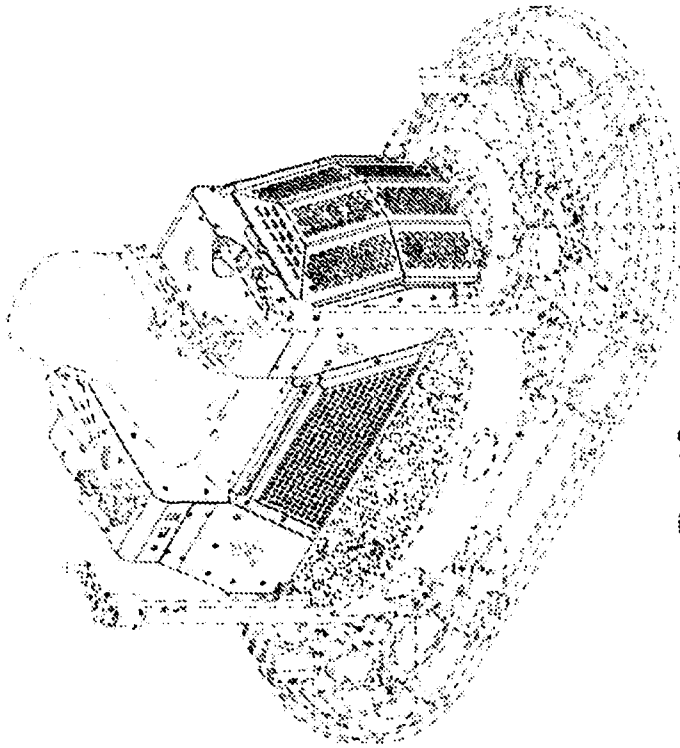


Fig. 10

Signed and Sealed this

Twelfth Day of October, 2010

David J. Kappos

David J. Kappos
Director of the United States Patent and Trademark Office

In the drawings, Sheet 11, Fig. 11 should appear as follows:

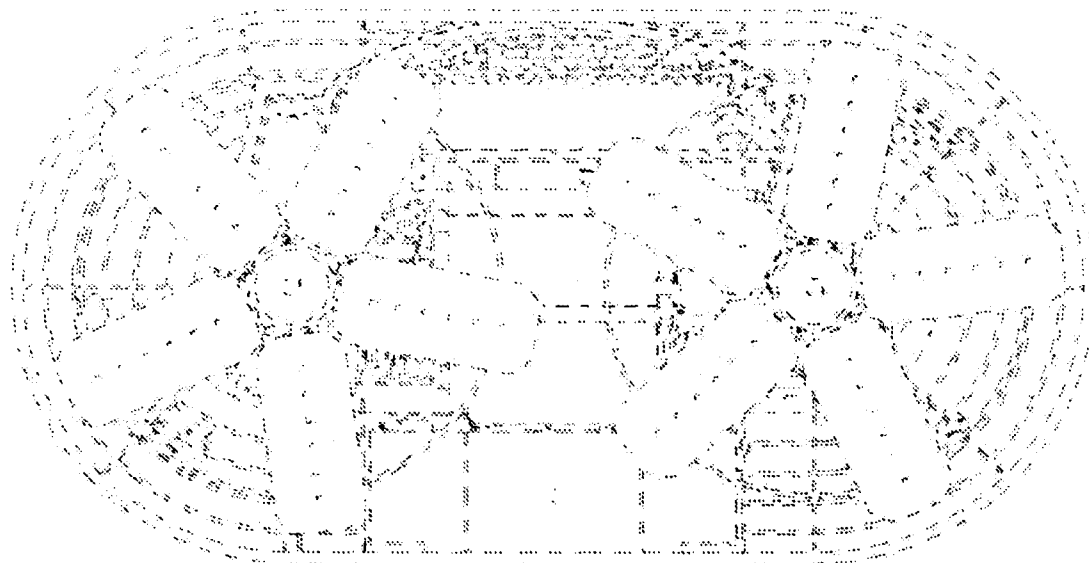


Fig. 11

In the drawings, Sheet 12, Fig. 12 should appear as follows:

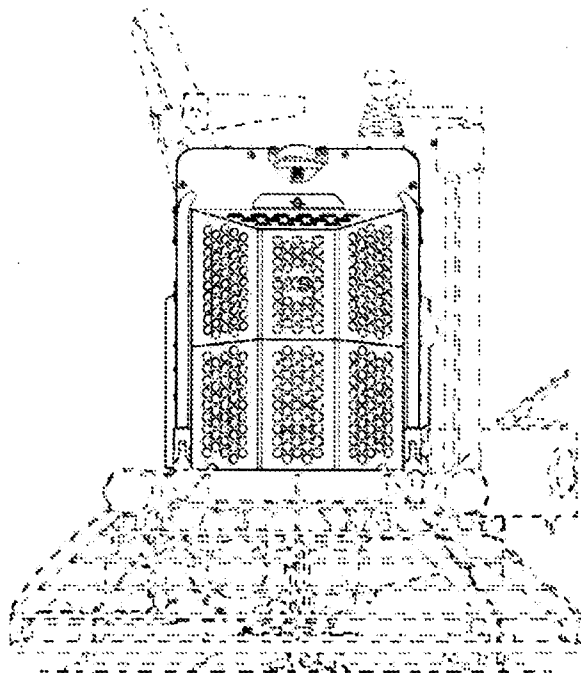


Fig. 12

In the drawings, Sheet 13, Fig. 13 should appear as follows:

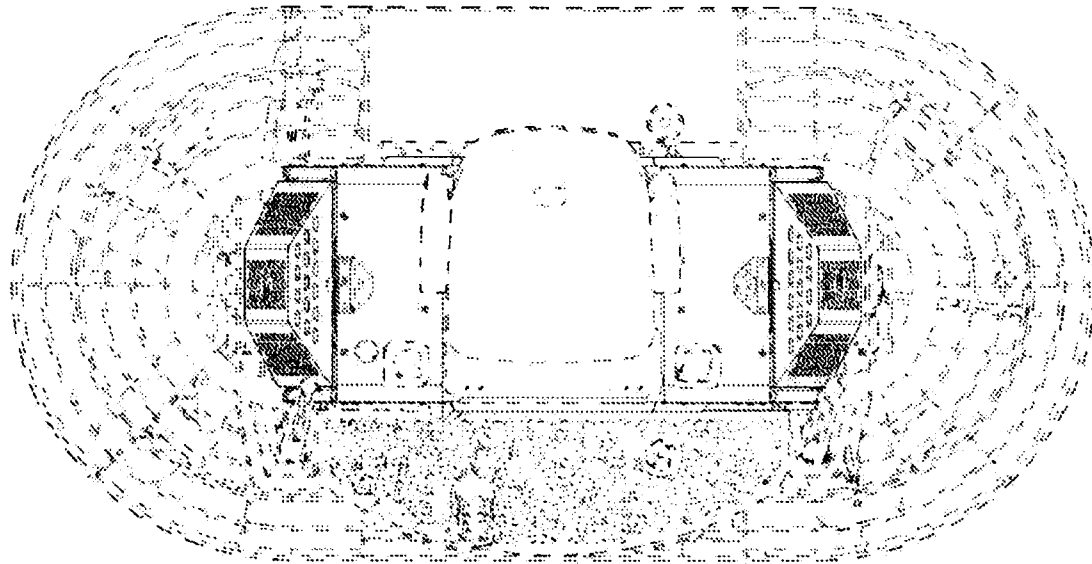


Fig. 13

In the drawings, Sheet 14, Fig. 14 should appear as follows:

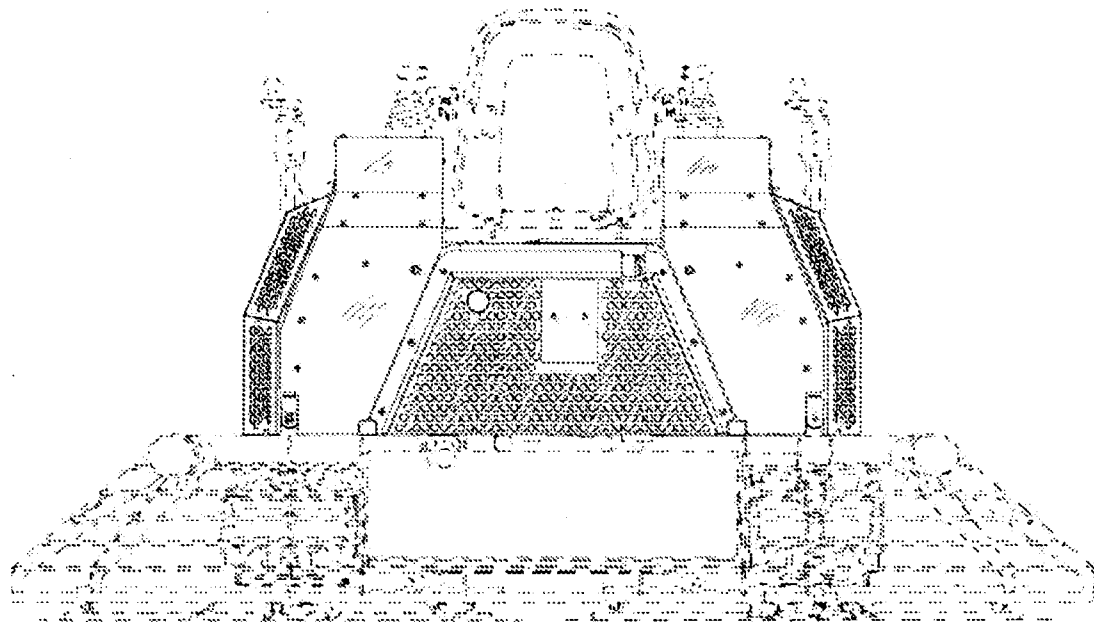


Fig. 14

In the drawings, Sheet 16, Fig. 16 should appear as follows:

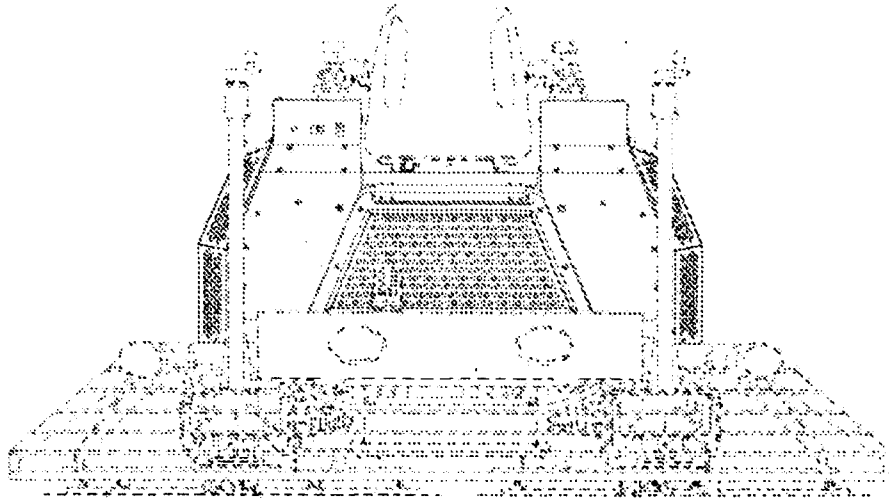


Fig. 16