

(19) World Intellectual Property Organization  
International Bureau



(43) International Publication Date  
10 April 2008 (10.04.2008)

PCT

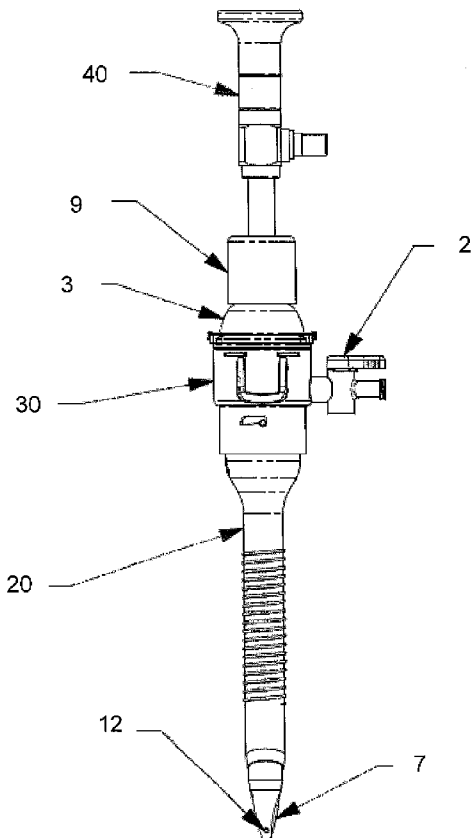
(10) International Publication Number  
**WO 2008/043100 A3**

- (51) International Patent Classification:  
A61B 17/00 (2006.01)
- (21) International Application Number:  
PCT/US2007/080724
- (22) International Filing Date: 8 October 2007 (08.10.2007)
- (25) Filing Language: English
- (26) Publication Language: English
- (30) Priority Data:  
60/828,529 6 October 2006 (06.10.2006) US
- (71) Applicant (for all designated States except US): **APPLIED MEDICAL RESOURCES CORPORATION** [US/US]; 22872 Avenida Empressa, Rancho Santa Margarita, CA 92688 (US).
- (72) Inventors; and
- (75) Inventors/Applicants (for US only): **TAYLOR, Scott, V.** [US/US]; 27851 Encanto, Mission Viejo, CA 92692 (US). **BALSCHWEIT, Paul, W.** [US/US]; 170 California Court, Mission Viejo, CA 92692 (US). **ALBRECHT, Jeremy, J.** [US/US]; 27082 O'neill Dr., #220, Ladera

- Ranch, CA 92694 (US). **JOHNSON, Gary, M.** [US/US]; 24662 Canela, Mission Viejo, CA 92692 (US). **HILAL, Said, S.** [US/US]; 23831 Via Roble, Coto De Caza, CA 92679 (US). **FALKENSTEIN, Zoran** [US/US]; 38 San Bonifacio, Rancho Santa Margarita, CA 92688 (US).
- (74) Agent: **IKEHARA, Patrick**; 22872 Avenida Empressa, Rancho Santa Margarita, CA 92688 (US).
- (81) Designated States (unless otherwise indicated, for every kind of national protection available): AE, AG, AL, AM, AT, AU, AZ, BA, BB, BG, BH, BR, BW, BY, BZ, CA, CH, CN, CO, CR, CU, CZ, DE, DK, DM, DO, DZ, EC, EE, EG, ES, FI, GB, GD, GE, GH, GM, GT, HN, HR, HU, ID, IL, IN, IS, JP, KE, KG, KM, KN, KP, KR, KZ, LA, LC, LK, LR, LS, LT, LU, LY, MA, MD, ME, MG, MK, MN, MW, MX, MY, MZ, NA, NG, NI, NO, NZ, OM, PG, PH, PL, PT, RO, RS, RU, SC, SD, SE, SG, SK, SL, SM, SV, SY, TJ, TM, TN, TR, TT, TZ, UA, UG, US, UZ, VC, VN, ZA, ZM, ZW.
- (84) Designated States (unless otherwise indicated, for every kind of regional protection available): ARIPO (BW, GH,

[Continued on next page]

(54) Title: VISUAL INSUFFLATION PORT



(57) Abstract: A visual insufflation obturator is provided. The obturator includes seals, valves, screens and/or various other tip features to eliminate the ingress of fluids, matter and/or gas that can disrupt the visual field of the laparoscope disposed within the obturator. The obturator provides additional features such as lens and anti-fog features to further increase visibility of the scope, efficiently insufflate the patient and ultimately provide an access channel into the insufflated abdomen once the visual insufflation obturator is removed.

WO 2008/043100 A3



GM, KE, LS, MW, MZ, NA, SD, SL, SZ, TZ, UG, ZM, ZW), Eurasian (AM, AZ, BY, KG, KZ, MD, RU, TJ, TM), European (AT, BE, BG, CH, CY, CZ, DE, DK, EE, ES, FI, FR, GB, GR, HU, IE, IS, IT, LT, LU, LV, MC, MT, NL, PL, PT, RO, SE, SI, SK, TR), OAPI (BF, BJ, CF, CG, CI, CM, GA, GN, GQ, GW, ML, MR, NE, SN, TD, TG).

**Published:**

- *with international search report*
- *before the expiration of the time limit for amending the claims and to be republished in the event of receipt of amendments*

**(88) Date of publication of the international search report:**

19 June 2008

## INTERNATIONAL SEARCH REPORT

International application No.

PCT/US2007/080724

## A. CLASSIFICATION OF SUBJECT MATTER

IPC(8) - A61B 17/00 (2008.01)

USPC - 606/190

According to International Patent Classification (IPC) or to both national classification and IPC

## B. FIELDS SEARCHED

Minimum documentation searched (classification system followed by classification symbols)

IPC(8) - A61B 1/00, 1/313, 17/00, 17/02, 17/34, 19/00; A61M 37/00 (2008.01)

USPC - 604/23, 264, 500, 506; 606/108, 185, 190

Documentation searched other than minimum documentation to the extent that such documents are included in the fields searched

Electronic data base consulted during the international search (name of data base and, where practicable, search terms used)

PatBase

## C. DOCUMENTS CONSIDERED TO BE RELEVANT

Category*	Citation of document, with indication, where appropriate, of the relevant passages	Relevant to claim No.
X	US 2005/0288622 A1 (ALBRECHT et al) 29 December 2005 (29.12.2005) entire document	1-4, 10, 11, 14, 15, 25
Y		5-9, 12, 13, 16-24
Y	US 2005/0216028 A1 (HART et al) 29 September 2005 (29.09.2005) entire document	5
Y	US 5,752,970 A (YOON) 19 May 1998 (19.05.1998) entire document	6-8
Y	US 2005/0227610 A1 (ZUKOR et al) 13 October 2005 (13.10.2005) entire document	9
Y	US 2004/0106942 A1 (TAYLOR et al) 03 June 2004 (03.06.2004) entire document	12, 13
Y	US 5,392,766 A (MASTERSON et al) 28 February 1995 (28.02.1995) entire document	16-24
Y	US 5,957,884 A (HOOVEN et al) 28 September 1999 (28.09.1999) entire document	18
Y	US 6,387,043 B1 (YOON) 14 May 2002 (14.05.2002) entire document	21-24
Y	US 4,779,613 A (HASHIGUCHI et al) 25 October 1988 (25.10.1988) entire document	22

 Further documents are listed in the continuation of Box C.

\* Special categories of cited documents:

"A" document defining the general state of the art which is not considered to be of particular relevance

"E" earlier application or patent but published on or after the international filing date

"L" document which may throw doubts on priority claim(s) or which is cited to establish the publication date of another citation or other special reason (as specified)

"O" document referring to an oral disclosure, use, exhibition or other means

"P" document published prior to the international filing date but later than the priority date claimed

"T" later document published after the international filing date or priority date and not in conflict with the application but cited to understand the principle or theory underlying the invention

"X" document of particular relevance; the claimed invention cannot be considered novel or cannot be considered to involve an inventive step when the document is taken alone

"Y" document of particular relevance; the claimed invention cannot be considered to involve an inventive step when the document is combined with one or more other such documents, such combination being obvious to a person skilled in the art

"&amp;" document member of the same patent family

Date of the actual completion of the international search

19 March 2008

Date of mailing of the international search report

16 APR 2008

Name and mailing address of the ISA/US

Mail Stop PCT, Attn: ISA/US, Commissioner for Patents

P.O. Box 1450, Alexandria, Virginia 22313-1450

Facsimile No. 571-273-3201

Authorized officer:

Blaine R. Copenheaver

PCT Helpdesk: 571-272-4300

PCT OSP: 571-272-7774