



US00D744669S

(12) **United States Design Patent**
Harris et al.

(10) **Patent No.:** **US D744,669 S**
(45) **Date of Patent:** **** Dec. 1, 2015**

(54) **MODULE FOR A LIGHTING FIXTURE**

(71) Applicant: **Cree, Inc.**, Durham, NC (US)

(72) Inventors: **Michael James Harris**, Cary, NC (US);
Spencer Scott Pratt, Cary, NC (US)

(73) Assignee: **Cree, Inc.**, Durham, NC (US)

(**) Term: **14 Years**

(21) Appl. No.: **29/452,813**

(22) Filed: **Apr. 22, 2013**

(51) **LOC (10) Cl.** **26-04**

(52) **U.S. Cl.**
USPC **D26/1**

(58) **Field of Classification Search**

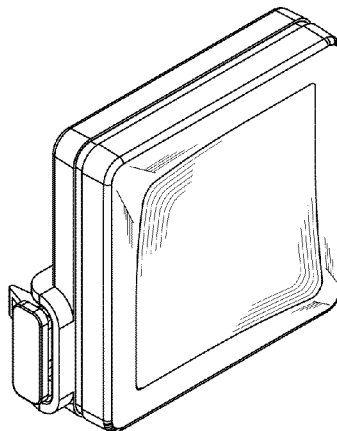
USPC D26/1-4, 26; 362/641-650
CPC H01J 5/48; H01J 5/50; H01J 19/54;
F21V 5/00

See application file for complete search history.

(56) **References Cited**

U.S. PATENT DOCUMENTS

D259,514 S *	6/1981	Welch	D26/26
D317,363 S *	6/1991	Welch	D26/26
5,079,680 A	1/1992	Kohn		
D344,361 S	2/1994	Friedman et al.		
D349,582 S	8/1994	Bain et al.		
5,471,119 A	11/1995	Ranganath et al.		
D373,438 S	9/1996	McCann-Compton et al.		
6,100,643 A	8/2000	Nilssen		
6,118,230 A	9/2000	Fleischmann		
6,137,408 A	10/2000	Okada		
6,160,359 A	12/2000	Fleischmann		
6,166,496 A	12/2000	Lys et al.		
6,437,692 B1	8/2002	Petite et al.		
6,528,954 B1	3/2003	Lys et al.		
6,553,218 B1	4/2003	Boesjes		
6,735,630 B1	5/2004	Gelvin et al.		
6,804,790 B2	10/2004	Rhee et al.		
6,826,607 B1	11/2004	Gelvin et al.		
6,832,251 B1	12/2004	Gelvin et al.		
6,859,831 B1	2/2005	Gelvin et al.		
6,914,893 B2	7/2005	Petite		
6,975,851 B2	12/2005	Boesjes		
6,990,394 B2	1/2006	Pasternak		
7,009,348 B2	3/2006	Mogilner et al.		
7,020,701 B1	3/2006	Gelvin et al.		
7,031,920 B2	4/2006	Dowling et al.		
7,103,511 B2	9/2006	Petite		
7,305,467 B2	12/2007	Kaiser et al.		
7,313,399 B2	12/2007	Rhee et al.		
D560,006 S	1/2008	Garner et al.		
7,344,279 B2	3/2008	Mueller et al.		
D565,771 S	4/2008	Garner et al.		
D567,431 S	4/2008	Garner et al.		
D582,598 S	12/2008	Kramer et al.		
7,468,661 B2	12/2008	Petite et al.		
7,482,567 B2	1/2009	Hoelen et al.		
7,484,008 B1	1/2009	Gelvin et al.		
D586,950 S	2/2009	Garner et al.		
D587,390 S	2/2009	Garner et al.		
D588,064 S	3/2009	Garner et al.		
7,522,563 B2	4/2009	Rhee		
D594,576 S *	6/2009	Chan	D26/1
7,606,572 B2	10/2009	Rhee et al.		
7,657,249 B2	2/2010	Boesjes		
7,683,301 B2	3/2010	Papamichael et al.		
7,697,492 B2	4/2010	Petite		
7,797,367 B1	9/2010	Gelvin et al.		
7,844,308 B2	11/2010	Rhee et al.		
7,844,687 B1	11/2010	Gelvin et al.		
7,891,004 B1	2/2011	Gelvin et al.		
7,904,569 B1	3/2011	Gelvin et al.		
7,924,174 B1	4/2011	Gananathan		
7,924,927 B1	4/2011	Boesjes		
7,948,930 B2	5/2011	Rhee		
8,021,021 B2	9/2011	Paolini		
8,035,320 B2	10/2011	Sibert		
8,079,118 B2	12/2011	Gelvin et al.		
8,098,615 B2	1/2012	Rhee		
8,126,429 B2	2/2012	Boesjes		
8,140,658 B1	3/2012	Gelvin et al.		
D663,048 S *	7/2012	Chen	D26/1
8,228,163 B2	7/2012	Cash et al.		
8,271,058 B2	9/2012	Rhee et al.		
8,274,928 B2	9/2012	Dykema et al.		
8,275,471 B2	9/2012	Huizenga et al.		
8,344,660 B2	1/2013	Mohan et al.		
8,364,325 B2	1/2013	Huizenga et al.		
8,466,626 B2	6/2013	Null et al.		
8,497,634 B2	7/2013	Scharf		
8,536,792 B1	9/2013	Roosli		
8,536,984 B2	9/2013	Benetz et al.		
8,604,714 B2	12/2013	Mohan et al.		
D703,841 S *	4/2014	Feng	D26/1
D708,360 S *	7/2014	Shibata	D26/1



2004/0002792 A1 1/2004 Hoffknecht
 2004/0139741 A1 7/2004 Balle et al.
 2004/0193741 A1 9/2004 Pereira
 2005/0127381 A1 6/2005 Vitta et al.
 2005/0132080 A1 6/2005 Rhee et al.
 2006/0022214 A1 2/2006 Morgan et al.
 2006/0044152 A1 3/2006 Wang
 2006/0125426 A1 6/2006 Veskovcic et al.
 2006/0262545 A1 11/2006 Piepgras et al.
 2007/0013557 A1 1/2007 Wang et al.
 2007/0085700 A1 4/2007 Walters et al.
 2007/0132405 A1 6/2007 Hillis et al.
 2007/0189000 A1 8/2007 Papamichael et al.
 2007/0291483 A1 12/2007 Lys
 2008/0031213 A1 2/2008 Kaiser et al.
 2008/0218087 A1 9/2008 Crouse et al.
 2009/0021955 A1 1/2009 Kuang et al.
 2009/0026966 A1 1/2009 Budde et al.
 2009/0237011 A1 9/2009 Shah et al.
 2009/0284169 A1 11/2009 Valois
 2009/0284184 A1 11/2009 Valois et al.
 2009/0302994 A1 12/2009 Rhee et al.
 2009/0302996 A1 12/2009 Rhee et al.
 2009/0305644 A1 12/2009 Rhee et al.
 2009/0315485 A1 12/2009 Verfuert et al.
 2009/0315668 A1 12/2009 Leete, III et al.
 2010/0007289 A1 1/2010 Budike, Jr.
 2010/0084992 A1 4/2010 Valois et al.
 2010/0128634 A1 5/2010 Rhee et al.
 2010/0134051 A1 6/2010 Huizenga et al.
 2010/0148940 A1 6/2010 Gelvin et al.
 2010/0150122 A1 6/2010 Berger et al.
 2010/0201516 A1 8/2010 Gelvin et al.
 2010/0203515 A1 8/2010 Rigler
 2010/0270935 A1 10/2010 Otake et al.
 2010/0301773 A1 12/2010 Chemel et al.
 2010/0301774 A1 12/2010 Chemel et al.
 2011/0031897 A1 2/2011 Henig et al.
 2011/0035491 A1 2/2011 Gelvin et al.
 2011/0057581 A1 3/2011 Ashar et al.
 2011/0095709 A1 4/2011 Diehl et al.
 2011/0133655 A1 6/2011 Recker et al.
 2011/0137757 A1 6/2011 Paolini et al.
 2011/0156596 A1 6/2011 Salisbury
 2011/0178650 A1 7/2011 Picco
 2011/0215725 A1 9/2011 Paolini
 2011/0249441 A1 10/2011 Donegan
 2011/0254554 A1 10/2011 Harbers
 2011/0298598 A1 12/2011 Rhee
 2012/0013257 A1 1/2012 Sibert
 2012/0040606 A1 2/2012 Verfuert
 2012/0079149 A1 3/2012 Gelvin et al.
 2012/0082062 A1 4/2012 McCormack
 2012/0086345 A1 4/2012 Tran
 2012/0087290 A1 4/2012 Rhee et al.
 2012/0091915 A1 4/2012 Ilyes et al.
 2012/0136485 A1 5/2012 Weber et al.
 2012/0139426 A1 6/2012 Ilyes et al.
 2012/0147604 A1 6/2012 Farmer
 2012/0147808 A1 6/2012 Rhee
 2012/0153840 A1 6/2012 Dahlen et al.
 2012/0161643 A1 6/2012 Henig et al.
 2012/0206050 A1 8/2012 Spero
 2012/0223657 A1 9/2012 Van de Ven
 2012/0229048 A1 9/2012 Archer
 2012/0230696 A1 9/2012 Pederson et al.
 2012/0235579 A1 9/2012 Chemel et al.
 2012/0235600 A1 9/2012 Simonian et al.
 2012/0242242 A1 9/2012 Linz et al.
 2012/0280638 A1 11/2012 Pereira et al.
 2012/0299485 A1 11/2012 Mohan et al.
 2012/0306377 A1 12/2012 Igaki et al.
 2013/0013091 A1 1/2013 Cavalcanti et al.
 2013/0026953 A1 1/2013 Woytowitz
 2013/0058258 A1 3/2013 Boesjes
 2013/0063042 A1 3/2013 Bora et al.
 2013/0069539 A1 3/2013 So
 2013/0075484 A1 3/2013 Rhee et al.
 2013/0088168 A1 4/2013 Mohan et al.

2013/0093328 A1 4/2013 Ivey et al.
 2013/0200805 A1 8/2013 Scapa et al.
 2013/0221857 A1 8/2013 Bowers
 2013/0257292 A1 10/2013 Verfuert et al.
 2013/0342911 A1 12/2013 Bartol et al.
 2014/0001952 A1 1/2014 Harris et al.
 2014/0001959 A1 1/2014 Motley et al.
 2014/0001962 A1 1/2014 Harris
 2014/0001963 A1 1/2014 Chobot et al.
 2014/0001977 A1 1/2014 Zacharchuck et al.
 2014/0212090 A1 7/2014 Wilcox et al.
 2015/0008829 A1 1/2015 Lurie et al.

FOREIGN PATENT DOCUMENTS

AT 492840 T 1/2011
 AU 3666702 A 5/2002
 AU 2002219810 A8 5/2002
 AU 2002352922 A1 6/2003
 CA 2426769 A1 5/2002
 CA 2511368 A1 5/2002
 CN 101461151 A 6/2009
 CN 102119507 A 7/2011
 DE 60143707 2/2011
 EP 1330699 A1 7/2003
 EP 1334608 A2 8/2003
 EP 1461907 A1 9/2004
 EP 1719363 A2 11/2006
 EP 1886415 A2 2/2008
 EP 2304311 A1 4/2011
 EP 2327184 A1 6/2011
 EP 2440017 A2 4/2012
 HK 1114508 A 10/2008
 IN 4576KOLNP2007 7/2008
 JP H11345690 A 12/1999
 JP 2005510956 A 4/2005
 JP 3860116 B2 12/2006
 JP 3896573 B2 3/2007
 JP 2011526414 A 10/2011
 KR 20080025095 A 3/2008
 WO 0126068 A1 4/2001
 WO 0126327 A2 4/2001
 WO 0126328 A2 4/2001
 WO 0126329 A2 4/2001
 WO 0126331 A2 4/2001
 WO 0126332 A2 4/2001
 WO 0126333 A2 4/2001
 WO 0126334 A2 4/2001
 WO 0126335 A2 4/2001
 WO 0126338 A2 4/2001
 WO 0239242 A1 5/2002
 WO 0241604 A2 5/2002
 WO 03047175 A1 6/2003
 WO 2004109966 A2 12/2004
 WO 2006130662 A2 12/2006
 WO 2007102097 A1 9/2007
 WO 2009158514 A1 12/2008
 WO 2009011898 A2 1/2009
 WO 2009145747 A1 12/2009
 WO 2009151416 A1 12/2009
 WO 2010122457 A2 10/2010
 WO 2011070058 A2 6/2011
 WO 2011087681 A1 7/2011
 WO 2011090938 A1 7/2011
 WO 2011152968 A1 12/2011
 WO 2012112813 A2 8/2012
 WO 2012125502 A2 9/2012
 WO 2014120971 A1 8/2014

OTHER PUBLICATIONS

Non-Final Office Action for U.S. Appl. No. 13/782,068, mailed Nov. 15, 2013, 5 pages.
 Non-Final Office Action for U.S. Appl. No. 13/782,131, mailed Nov. 6, 2013, 8 pages.
 Final Office Action for U.S. Appl. No. 13/782,096, mailed Nov. 18, 2013, 15 pages.

- Author Unknown, "Cluster Analysis", Wikipedia—the free encyclopedia, Updated May 21, 2013, Retrieved on May 30, 2013, http://en.wikipedia.org/wiki/cluster_analysis, 16 pages.
- Author Unknown, "Multi-Agent System", Wikipedia—the free encyclopedia, Updated Apr. 18, 2013, Retrieved May 30, 2013, http://en.wikipedia.org/wiki/multi-agent_system, 7 pages.
- Author Unknown, i2C-Bus: What's That?, Updated 2012, Retrieved May 30, 2013, <http://www.i2c-bus.org>, 1 page.
- Harris, Michael, "Lighting Component with Independent DC-DC Converters", U.S. Appl. No. 13/606,713, filed Sep. 7, 2012, 42 pages.
- Harris, Michael, "Modular Lighting Control", U.S. Appl. No. 13/589,899, filed Aug. 20, 2012, 38 pages.
- Kuhn, Fabian et al., "Initializing Newly Deployed Ad Hoc & Sensor Network", The Tenth Annual International Conference on Mobile Computing and Networking (MobiCom '04), Sep. 26-Oct. 4, 2004, 15 pages, Philadelphia, PA.
- Randolph, David, et al., "Lighting Fixture", U.S. Appl. No. 13/649,531, filed Oct. 11, 2012, 60 pages.
- Teasdale, Dana et al., "Annual Technical Progress Report: Adapting Wireless Technology to Lighting Control and Environmental Sensing," Dust Networks, Aug. 1, 2004, 41 pages.
- Non-Final Office Action for U.S. Appl. No. 13/782,040, mailed May 8, 2013, 10 pages.
- Non-Final Office Action for U.S. Appl. No. 13/782,068, mailed Jul. 16, 2013, 6 pages.
- Quayle Action for U.S. Appl. No. 13/782,078, mailed Jun. 12, 2013, 4 pages.
- Non-Final Office Action for U.S. Appl. No. 13/782,096, mailed Jun. 10, 2013, 12 pages.
- Non-Final Office Action for U.S. Appl. No. 13/782,131, mailed May 28, 2013, 10 pages.
- Author Unknown, "Controlling LEDs," Lutron Electronics Co., Inc., Jan. 1, 2011, 16 pages.
- Author Unknown, "Section 16950: Distributed Digital Lighting Control System," Lighting Control Devices, Apr. 30, 2013, 20 pages.
- Author Unknown, "System Design Guide—Lighting Control & Design: System Overview," Lighting Control and Design, Form No. 1382.057, Accessed Aug. 9, 2013, 4 pages.
- Author Unknown, "System Overview & Introduction," nLight Network Lighting Controls, Accessed: Aug. 9, 2013, 4 pages, <http://nlightcontrols.com/lighting-controls/overview>.
- Author Unknown, "The System: Components," Simply5, Accessed: Aug. 9, 2013, 2 pages, <http://simply5.net/how.html>.
- Technical Publications Department At Creston, "Creston Green Light Commercial Lighting Design Guide," Creston Electronics, Inc., 2013, 74 pages.
- Advisory Action for U.S. Appl. No. 13/782,096, mailed Jan. 27, 2014, 3 pages.
- Non-Final Office Action for U.S. Appl. No. 13/782,040, mailed Feb. 11, 2014, 10 pages.
- Final Office Action for U.S. Appl. No. 13/782,068, mailed Mar. 7, 2014, 7 pages.
- Notice of Allowance for U.S. Appl. No. 13/782,131, mailed Feb. 20, 2014, 9 pages.
- International Search Report and Written Opinion for PCT/US2013/075723, mailed May 9, 2014, 8 pages.
- International Search Report and Written Opinion for International Application PCT/US2013/075729, mailed Apr. 29, 2014, 8 pages.
- Notice of Allowance for U.S. Appl. No. 13/782,068, mailed May 12, 2014, 7 pages.
- Invitation to Pay Additional Fees and Partial International Search for PCT/US2013/075742, mailed May 14, 2014, 6 pages.
- International Search Report and Written Opinion for PCT/US2013/075748, mailed May 9, 2014, 7 pages.
- International Search Report and Written Opinion for PCT/US2013/075754, mailed May 15, 2014, 8 pages.
- International Search Report and Written Opinion for PCT/US2013/075761, mailed May 15, 2014, 7 pages.
- Non-Final Office Action for U.S. Appl. No. 13/719,786, mailed Mar. 6, 2014, 12 pages.
- Invitation to Pay Additional Fees and Partial International Search for PCT/US2013/075737, mailed May 13, 2014, 5 pages.
- Non-Final Office Action for U.S. Appl. No. 13/589,899, mailed Apr. 2, 2014, 15 pages.
- Notice of Allowance for U.S. Appl. No. 13/782,131, mailed Jun. 5, 2014, 5 pages.
- Invitation to Pay Additional Fees and Partial International Search Report for PCT/US2013/075777, mailed Jun. 5, 2014, 6 pages.
- Notice of Allowance for U.S. Appl. No. 13/782,040 mailed Jul. 23, 2014, 8 pages.
- International Search Report and Written Opinion for PCT/US2013/075737, mailed Aug. 27, 2014, 11 pages.
- Non-Final Office Action for U.S. Appl. No. 13/782,068, mailed Aug. 15, 2014, 6 pages.
- International Search Report and Written Opinion for PCT/US2013/075742, mailed Aug. 27, 2014, 11 pages.
- Examiner's Answer to the Appeal Brief for U.S. Appl. No. 13/782,096, mailed Jul. 7, 2014, 17 pages.
- Final Office Action for U.S. Appl. No. 13/719,786, mailed Jul. 29, 2014, 14 pages.
- International Search Report and Written Opinion for PCT/US2013/075777, mailed Aug. 12, 2014, 14 pages.
- International Search Report and Written Opinion for PCT/US2013/047608, mailed Sep. 25, 2013, 11 pages.
- International Search Report and Written Opinion for PCT/US2013/047602, mailed Oct. 11, 2013, 13 pages.
- Notice of Allowance for U.S. Appl. No. 13/782,068, mailed Oct. 22, 2013, 9 pages.
- Final Office Action for U.S. Appl. No. 13/782,040, mailed Oct. 18, 2013, 16 pages.
- Notice of Allowance for U.S. Appl. No. 13/782,068, mailed Sep. 16, 2013, 7 pages.
- Supplemental Notice of Allowability for U.S. Appl. No. 13/782,068, mailed Sep. 27, 2013, 2 pages.
- Author Unknown, "IEEE Standard for Information Technology—Telecommunications and Information Exchange Between Systems—Local and Metropolitan Area Networks—Specific Requirements—Part 3: Carrier Sense Multiple Access with Collision Detection (CSMA/CD) Access Method and Physical Layer Specifications—Amendment: Data Terminal Equipment (DTE) Power Via Media Dependent Interface (MDI)," Standard 802.3af-2003, Jun. 18, 2003, The Institute of Electrical and Electronics Engineers, Inc., 133 pages.
- Author Unknown, "IEEE Standard for Information Technology—Telecommunications and Information Exchange Between Systems—Local and Metropolitan Area Networks—Specific Requirements—Part 3: Carrier Sense Multiple Access with Collision Detection (CSMA/CD) Access Method and Physical Layer Specifications—Amendment 3: Data Terminal Equipment (DTE) Power via the Media Dependent Interface (MDI) Enhancements," Standard 802.3at-2009, Sep. 11, 2009, The Institute of Electrical and Electronics Engineers, Inc., 141 pages.
- Non-Final Office Action for U.S. Appl. No. 13/782,022, mailed Nov. 14, 2014, 14 pages.
- Notice of Allowance for U.S. Appl. No. 13/782,040 mailed Nov. 17, 2014, 8 pages.
- Non-Final Office Action for U.S. Appl. No. 13/782,053, mailed Nov. 14, 2014, 11 pages.
- Notice of Allowance for U.S. Appl. No. 13/782,131, mailed Oct. 28, 2014, 5 pages.
- Non-Final Office Action for U.S. Appl. No. 13/719,786, mailed Nov. 20, 2014, 16 pages.
- International Preliminary Report on Patentability for PCT/US2013/047602, mailed Jan. 15, 2015, 10 pages.
- Non-Final Office Action for U.S. Appl. No. 13/589,899, mailed Apr. 20, 2015, 12 pages.
- Notice of Allowance for U.S. Appl. No. 13/782,022, mailed Apr. 27, 2015, 8 pages.
- Notice of Allowance for U.S. Appl. No. 13/782,053, mailed Apr. 2, 2015, 8 pages.
- Non-Final Office Action for U.S. Appl. No. 13/868,021, mailed Apr. 17, 2015, 10 pages.
- Non-Final Office Action for U.S. Appl. No. 13/719,786, mailed Apr. 21, 2015, 13 pages.

(56)

References Cited

OTHER PUBLICATIONS

International Search Report and Written Opinion for PCT/US2015/010050, mailed Mar. 24, 2015, 10 pages.
 Notice of Allowance for U.S. Appl. No. 13/782,022, mailed Jul. 22, 2015, 8 pages.
 Notice of Allowance for U.S. Appl. No. 13/782,053, mailed Jul. 17, 2015, 8 pages.
 Final Office Action for U.S. Appl. No. 13/868,021, mailed Jul. 23, 2015, 11 pages.
 Non-Final Office Action for U.S. Appl. No. 13/719,786, mailed Sep. 18, 2015, 16 pages.
 International Preliminary Report on Patentability for PCT/US2013/075723, mailed Jul. 2, 2015, 6 pages.
 International Preliminary Report on Patentability for PCT/US2013/075729, mailed Jul. 2, 2015, 6 pages.
 International Preliminary Report on Patentability for PCT/US2013/075737, mailed Jul. 2, 2015, 7 pages.
 International Preliminary Report on Patentability for PCT/US2013/075742, mailed Jul. 2, 2015, 7 pages.
 International Preliminary Report on Patentability for PCT/US2013/075748, mailed Jul. 2, 2015, 5 pages.
 International Preliminary Report on Patentability for PCT/US2013/075754, mailed Jul. 2, 2015, 5 pages.
 International Preliminary Report on Patentability for PCT/US2013/075761, mailed Jul. 2, 2015, 5 pages.
 International Preliminary Report on Patentability for PCT/US2013/075777, mailed Jul. 2, 2015, 10 pages.
 International Search Report and Written Opinion for PCT/US2015/032431, mailed Jul. 24, 2015, 11 pages.

* cited by examiner

Primary Examiner — Marcus Jackson(74) *Attorney, Agent, or Firm* — Withrow & Terranova, P.L.L.C.

(57)

CLAIM

The ornamental design for a module for a lighting fixture, as shown and described.

DESCRIPTION

FIG. 1 is a first front perspective view of a module for a lighting fixture according to a first embodiment;
 FIG. 2 is a second front perspective view of the module for a lighting fixture according to the first embodiment;
 FIG. 3 is a first back perspective view of the module for a lighting fixture according to the first embodiment;
 FIG. 4 is a second back perspective view of the module for a lighting fixture according to the first embodiment;
 FIG. 5 is a front view of the module for a lighting fixture according to the first embodiment;
 FIG. 6 is a back view of the module for a lighting fixture according to the first embodiment;

FIG. 7 is a right side view of the module for a lighting fixture according to the first embodiment;
 FIG. 8 is a left side view of the module for a lighting fixture according to the first embodiment;
 FIG. 9 is a bottom view of the module for a lighting fixture according to the first embodiment;
 FIG. 10 is a top view of the module for a lighting fixture according to the first embodiment;
 FIG. 11 is a first front perspective view of a module for a lighting fixture according to a second embodiment;
 FIG. 12 is a second front perspective view of the module for a lighting fixture according to the second embodiment;
 FIG. 13 is a first back perspective view of the module for a lighting fixture according to the second embodiment;
 FIG. 14 is a second back perspective view of the module for a lighting fixture according to the second embodiment;
 FIG. 15 is a front view of the module for a lighting fixture according to the second embodiment;
 FIG. 16 is a back view of the module for a lighting fixture according to the second embodiment;
 FIG. 17 is a right side view of the module for a lighting fixture according to the second embodiment;
 FIG. 18 is a left side view of the module for a lighting fixture according to the second embodiment;
 FIG. 19 is a bottom view of the module for a lighting fixture according to the second embodiment;
 FIG. 20 is a top view of the module for a lighting fixture according to the second embodiment;
 FIG. 21 is a first front perspective view of a module for a lighting fixture according to a third embodiment;
 FIG. 22 is a second front perspective view of the module for a lighting fixture according to the third embodiment;
 FIG. 23 is a first back perspective view of the module for a lighting fixture according to the third embodiment;
 FIG. 24 is a second back perspective view of the module for a lighting fixture according to the third embodiment;
 FIG. 25 is a front view of the module for a lighting fixture according to the third embodiment;
 FIG. 26 is a back view of the module for a lighting fixture according to the third embodiment;
 FIG. 27 is a right side view of the module for a lighting fixture according to the third embodiment;
 FIG. 28 is a left side view of the module for a lighting fixture according to the third embodiment;
 FIG. 29 is a bottom view of the module for a lighting fixture according to the third embodiment; and,
 FIG. 30 is a top view of the module for a lighting fixture according to the third embodiment.
 The broken lines in the drawings are for illustrative purposes only, and do not form part of the claimed design.

1 Claim, 9 Drawing Sheets

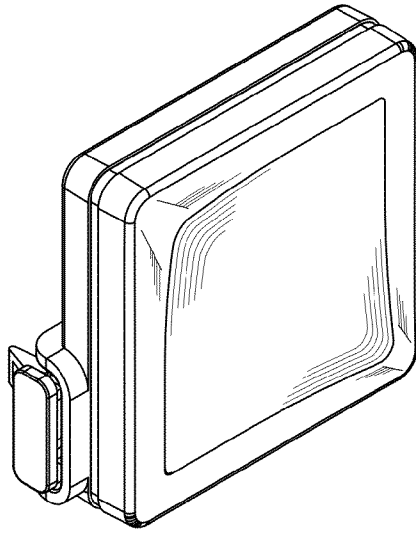


FIG. 1

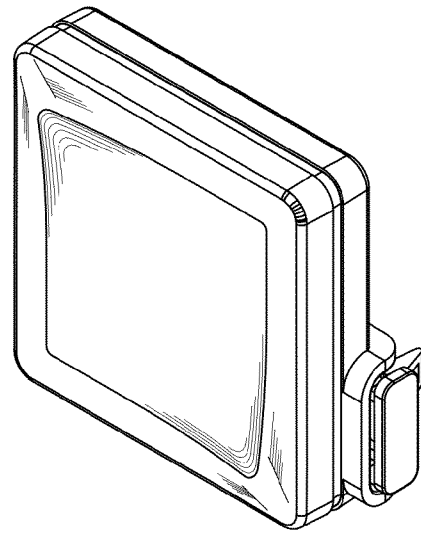


FIG. 2

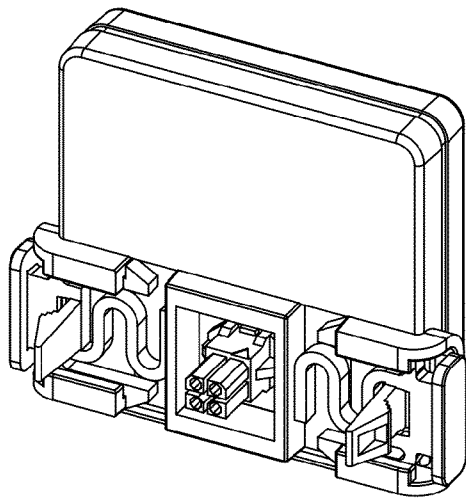


FIG. 3

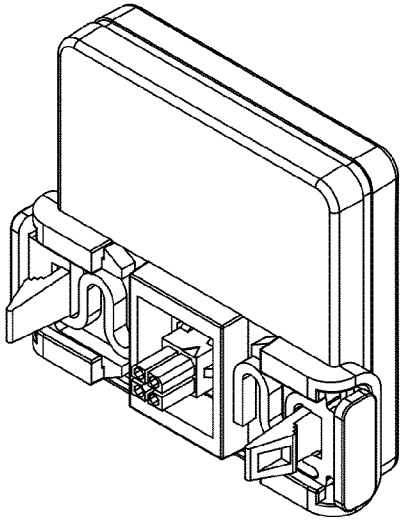


FIG. 4

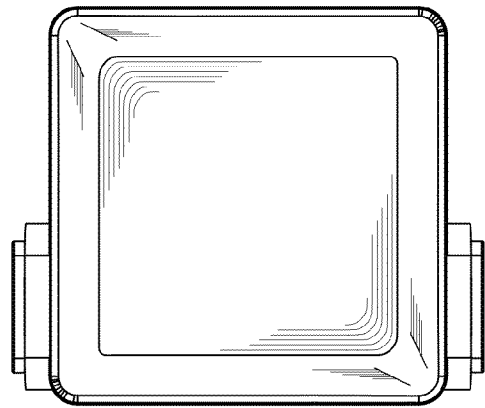


FIG. 5

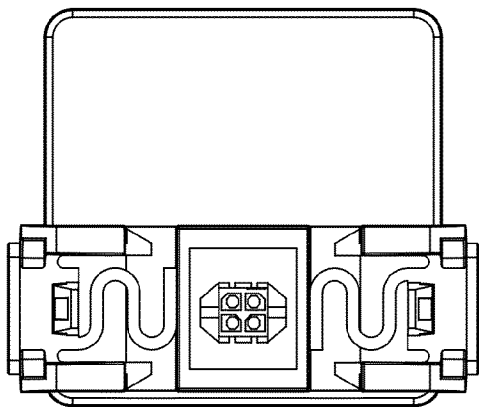


FIG. 6

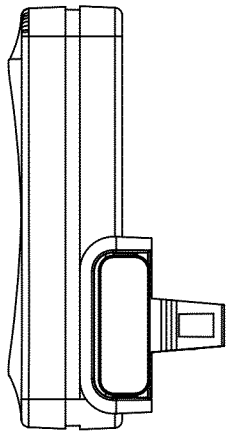


FIG. 7

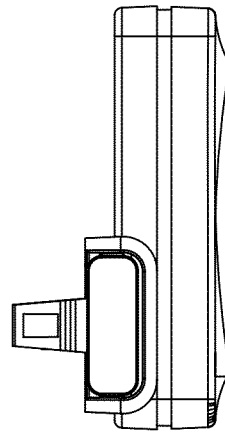


FIG. 8

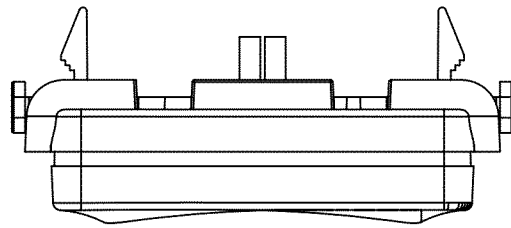


FIG. 9

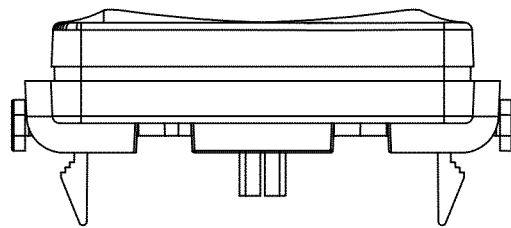


FIG. 10

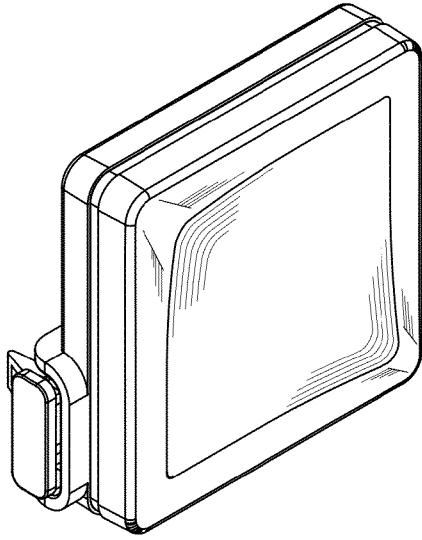


FIG. 11

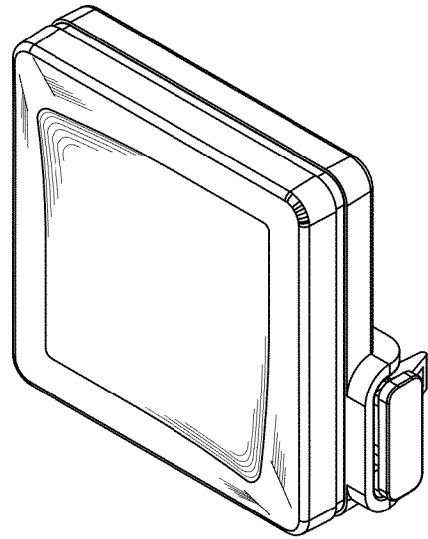


FIG. 12

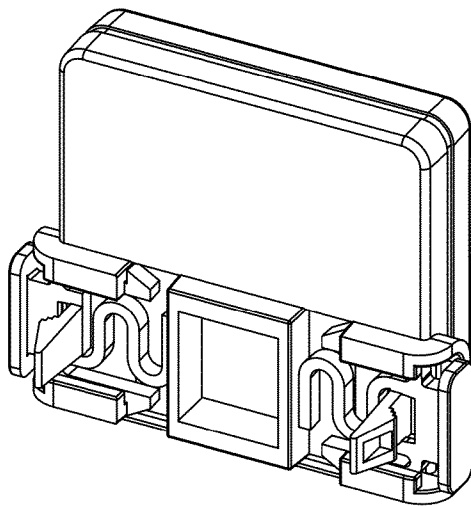


FIG. 13

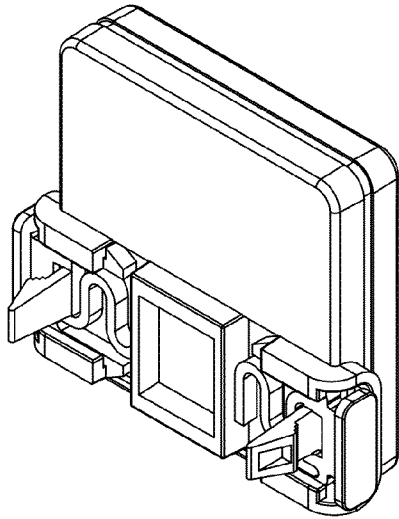


FIG. 14

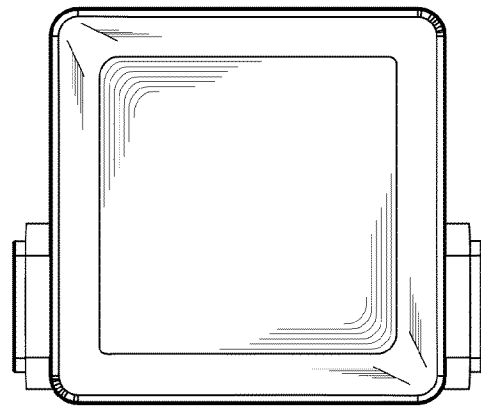


FIG. 15

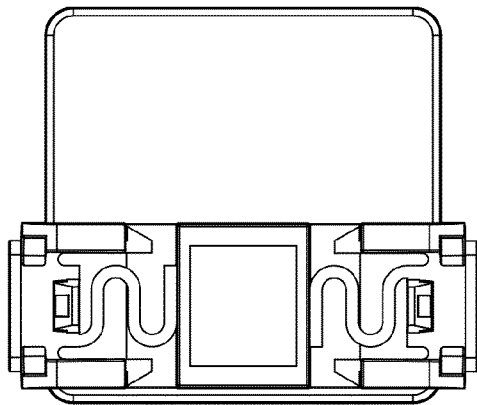


FIG. 16

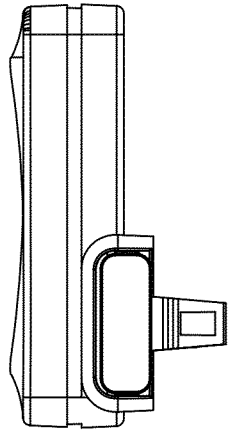


FIG. 17

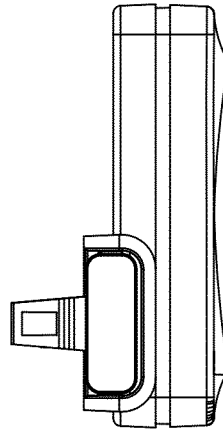


FIG. 18

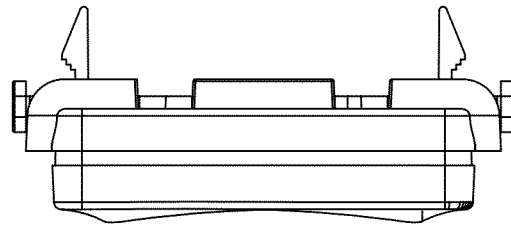


FIG. 19

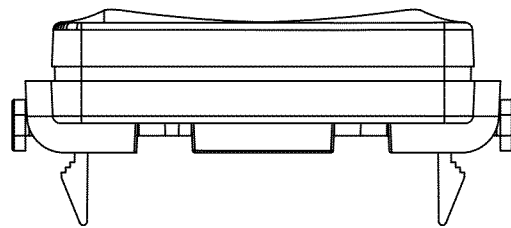


FIG. 20

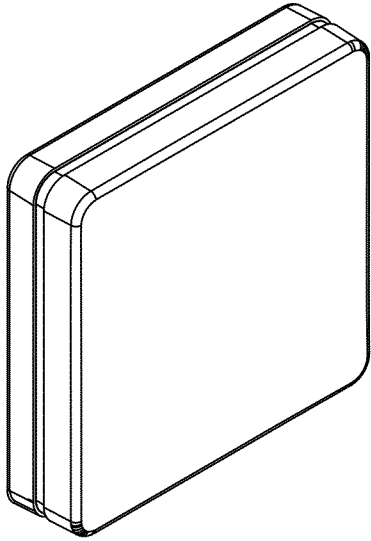


FIG. 21

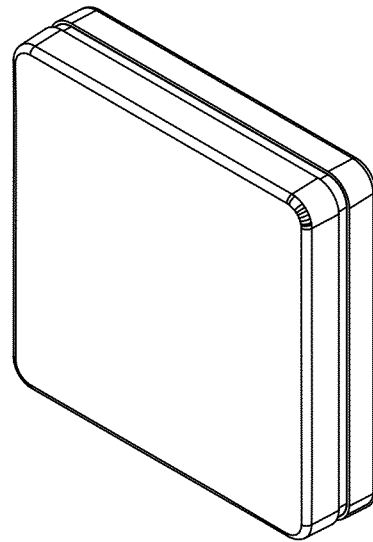


FIG. 22

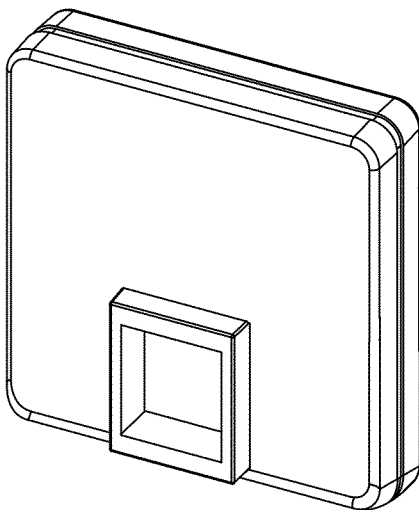


FIG. 23

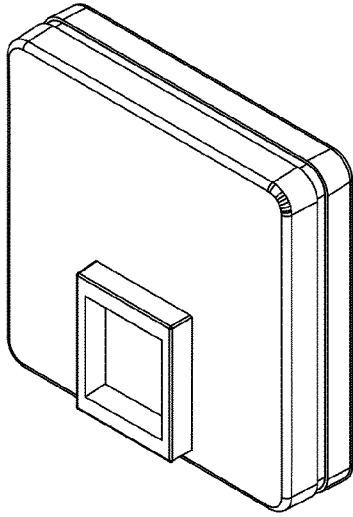


FIG. 24

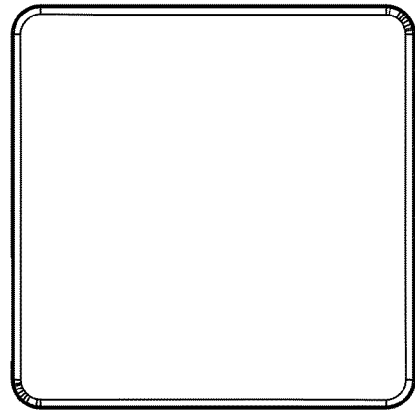


FIG. 25

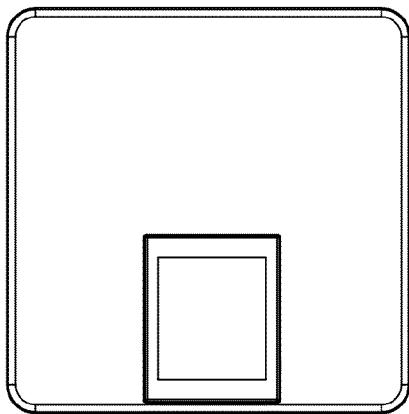


FIG. 26

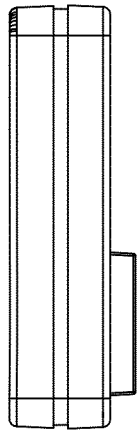


FIG. 27

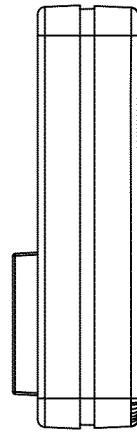


FIG. 28

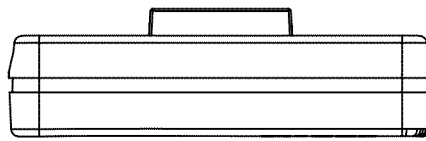


FIG. 29

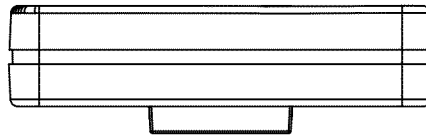


FIG. 30