

(19) World Intellectual Property Organization  
International Bureau



(43) International Publication Date  
3 June 2010 (03.06.2010)

PCT

(10) International Publication Number  
**WO 2010/062358 A3**

- (51) **International Patent Classification:**  
A47K S/02 (2006.01) A47K 5/00 (2006.01)
- (21) **International Application Number:**  
PCT/US2009/005895
- (22) **International Filing Date:**  
30 October 2009 (30.10.2009)
- (25) **Filing Language:** English
- (26) **Publication Language:** English
- (30) **Priority Data:**  
12/290,508 31 October 2008 (31.10.2008) US
- (72) **Inventor; and**
- (71) **Applicant : KUMAR, Sivathanu, B.** [US/US]; 17402 Heather Oak Place, Tampa, FL 33647 (US).
- (74) **Agent: COLITZ, Michael, J.;** 640 Douglas Avenue, Dunedin, FL 34698 (US).
- (81) **Designated States** (unless otherwise indicated, for every kind of national protection available): AE, AG, AL, AM, AO, AT, AU, AZ, BA, BB, BG, BH, BR, BW, BY, BZ, CA, CH, CL, CN, CO, CR, CU, CZ, DE, DK, DM, DO, DZ, EC, EE, EG, ES, FI, GB, GD, GE, GH, GM, GT,

HN, HR, HU, ID, IL, IN, IS, JP, KE, KG, KM, KN, KP, KR, KZ, LA, LC, LK, LR, LS, LT, LU, LY, MA, MD, ME, MG, MK, MN, MW, MX, MY, MZ, NA, NG, NI, NO, NZ, OM, PE, PG, PH, PL, PT, RO, RS, RU, SC, SD, SE, SG, SK, SL, SM, ST, SV, SY, TJ, TM, TN, TR, TT, TZ, UA, UG, US, UZ, VC, VN, ZA, ZM, ZW.

(84) **Designated States** (unless otherwise indicated, for every kind of regional protection available): ARIPO (BW, GH, GM, KE, LS, MW, MZ, NA, SD, SL, SZ, TZ, UG, ZM, ZW), Eurasian (AM, AZ, BY, KG, KZ, MD, RU, TJ, TM), European (AT, BE, BG, CH, CY, CZ, DE, DK, EE, ES, FI, FR, GB, GR, HR, HU, IE, IS, IT, LT, LU, LV, MC, MK, MT, NL, NO, PL, PT, RO, SE, SI, SK, SM, TR), OAPI (BF, BJ, CF, CG, CI, CM, GA, GN, GQ, GW, ML, MR, NE, SN, TD, TG).

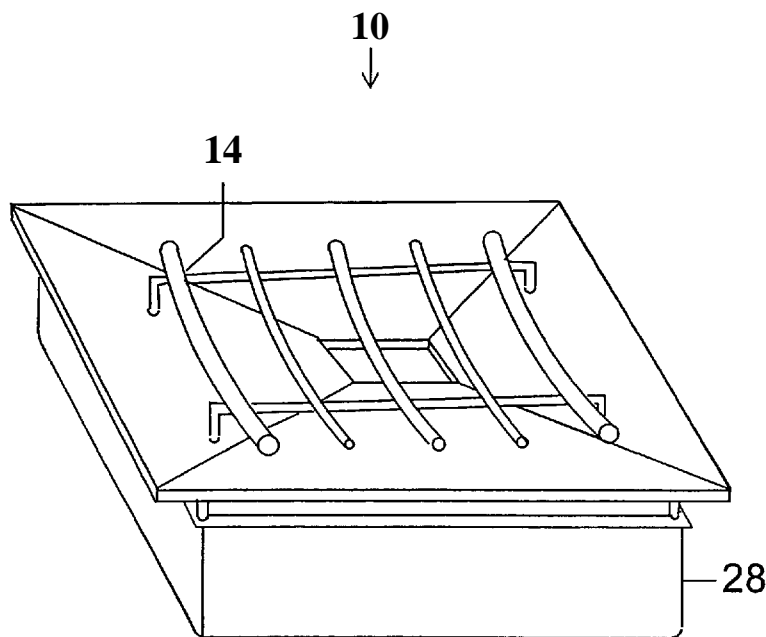
**Published:**

- with international search report (Art. 21(3))
- before the expiration of the time limit for amending the claims and to be republished in the event of receipt of amendments (Rule 48.2(h))

(88) **Date of publication of the international search report:**  
5 August 2010

(54) **Title:** MULTI-COMPONENT SOAP DISH SYSTEM

FIG1



(57) **Abstract:** A first uppermost tray (14) is constructed of longitudinal (16) and latitudinal (18) components. Perforations (22) are formed between the components. A fourth lowermost tray (28) consists of a base (30), upstanding side walls (32) and upstanding end walls (34). At least one intermediate tray (40, 42) is in a funnel like configuration. The intermediate tray has a centrally located aperture. The intermediate tray has spacer coupling posts separating the uppermost, intermediate and lowermost trays. A directing component (48) is located above the base of the lowermost tray and beneath the aperture of the intermediate tray.



WO 2010/062358 A3

**A. CLASSIFICATION OF SUBJECT MATTER***A47K 5/02(2006.01)i, A47K 5/00(2006.01)i*

According to International Patent Classification (IPC) or to both national classification and IPC

**B. FIELDS SEARCHED**

Minimum documentation searched (classification system followed by classification symbols)

A47K 5/02, A47K 5/03, A47K 5/08, B65D 6/40, B65D 65/16, F26B 3/20

Documentation searched other than minimum documentation to the extent that such documents are included in the fields searched

Korean utility models and applications for utility models

Japanese utility models and applications for utility models

Electronic data base consulted during the international search (name of data base and, where practicable, search terms used)

eKOMPASS(KIPO internal) &amp; Keywords handle (or) control, moisture, multi, tray

**C. DOCUMENTS CONSIDERED TO BE RELEVANT**

Category*	Citation of document, with indication, where appropriate, of the relevant passages	Relevant to claim No
A	JP 09-122036 A (TAKADA, KOJIRO) 13 May 1997 See abstract, and paragraphs [0005] - [0011], and figures 1 - 4.	1-9
A	JP 11-318748 A (TANAKA, KAYOKO) 24 November 1999 See abstract, and claim 1, and figures 1 - 3.	1-9
A	US 2008-0169208 A1 (HUNG-YU LI) 17 July 2008 See abstract, and paragraphs [0021] - [0023], and figures 4 - 7.	1-9
A	US 6152294 A1 (DAVID C. WEINBERG) 28 November 2000 See abstract, and column 2, lines 32 - 47, and figure 1.	1-9
A	US 4858757 A1 (JAMES R. LIGGETT) 22 August 1989 See abstract, and column 2, lines 5 - 33, and figures 1, 2.	1-9

 Further documents are listed in the continuation of Box C See patent family annex

\* Special categories of cited documents

"A" document defining the general state of the art which is not considered to be of particular relevance

"E" earlier application or patent but published on or after the international filing date

"L" document which may throw doubts on priority claim(s) or which is cited to establish the publication date of citation or other special reason (as specified)

"O" document referring to an oral disclosure, use, exhibition or other means

"P" document published prior to the international filing date but later than the priority date claimed

"T" later document published after the international filing date or priority date and not in conflict with the application but cited to understand the principle or theory underlying the invention

"X" document of particular relevance, the claimed invention cannot be considered novel or cannot be considered to involve an inventive step when the document is taken alone

"Y" document of particular relevance, the claimed invention cannot be considered to involve an inventive step when the document is combined with one or more other such documents, such combination being obvious to a person skilled in the art

"&amp;" document member of the same patent family

Date of the actual completion of the international search

07 JUNE 2010 (07.06.2010)

Date of mailing of the international search report

07 JUNE 2010 (07.06.2010)

Name and mailing address of the ISA/KR

Korean Intellectual Property Office  
Government Complex-Daejeon, 139 Seonsa-ro, Seo-  
gu, Daejeon 302-701, Republic of Korea

Facsimile No 82-42-472-7140

Authorized officer

KIM, In Cheon

Telephone No 82-42-481-8218



**INTERNATIONAL SEARCH REPORT**

Information on patent family members

International application No

**PCT/US2009/005895**

Patent document cited in search report	Publication date	Patent family member(s)	Publication date
JP 09-122036 A	13.05.1997	None	
JP 11-318748 A	24.11.1999	None	
US 2008-0169208 A 1	17.07.2008	None	
US 6152294 A 1	28.11.2000	None	
US 4858757 A 1	22.08.1989	None	