



(51) International Patent Classification:

B65D 71/52 (2006.01) **B65D 77/04** (2006.01)
A47J 31/36 (2006.01) **B65D 75/32** (2006.01)
A47G 23/02 (2006.01) **B65D 75/24** (2006.01)
B65D 71/50 (2006.01)

(21) International Application Number:

PCT/IB2015/051243

(22) International Filing Date:

18 February 2015 (18.02.2015)

(25) Filing Language:

English

(26) Publication Language:

English

(30) Priority Data:

61/941,653 19 February 2014 (19.02.2014) US

(71) Applicant: NESTEC SA [CH/CH]; Avenue Nestle 55, CH-1800 Vevey (CH).

(72) Inventors: TAYLOR, Curtis; 10 North Main street, Chagrin Falls, Ohio 44022 (US). MISENER, Aaron; 10 North Main Street, Chagrin Falls, Ohio 44022 (US).

(81) Designated States (unless otherwise indicated, for every kind of national protection available): AE, AG, AL, AM,

AO, AT, AU, AZ, BA, BB, BG, BH, BN, BR, BW, BY, BZ, CA, CH, CL, CN, CO, CR, CU, CZ, DE, DK, DM, DO, DZ, EC, EE, EG, ES, FI, GB, GD, GE, GH, GM, GT, HN, HR, HU, ID, IL, IN, IR, IS, JP, KE, KG, KN, KP, KR, KZ, LA, LC, LK, LR, LS, LU, LY, MA, MD, ME, MG, MK, MN, MW, MX, MY, MZ, NA, NG, NI, NO, NZ, OM, PA, PE, PG, PH, PL, PT, QA, RO, RS, RU, RW, SA, SC, SD, SE, SG, SK, SL, SM, ST, SV, SY, TH, TJ, TM, TN, TR, TT, TZ, UA, UG, US, UZ, VC, VN, ZA, ZM, ZW.

(84) Designated States (unless otherwise indicated, for every kind of regional protection available):

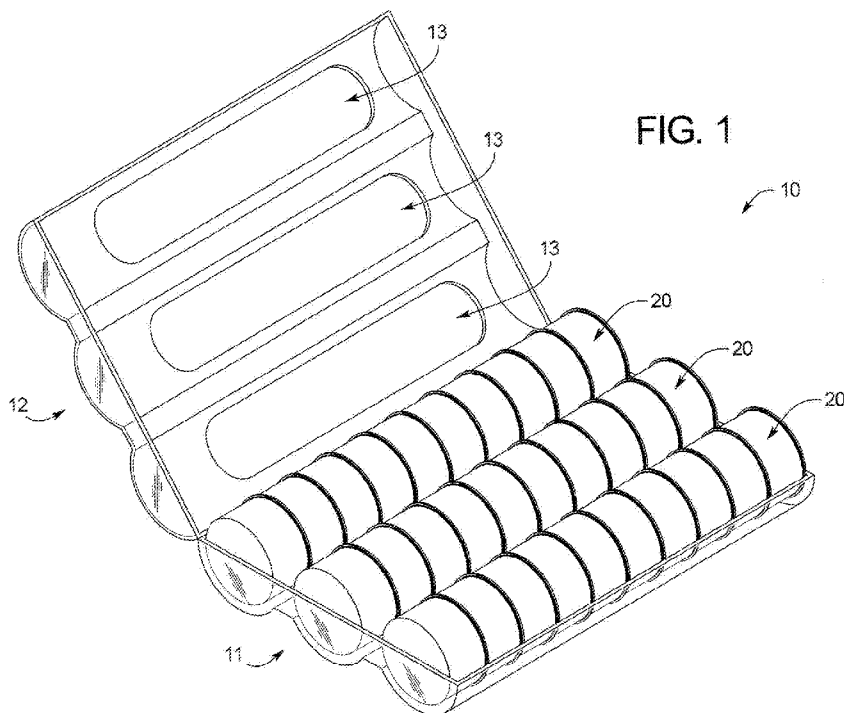
ARIPO (BW, GH, GM, KE, LR, LS, MW, MZ, NA, RW, SD, SL, ST, SZ, TZ, UG, ZM, ZW), Eurasian (AM, AZ, BY, KG, KZ, RU, TJ, TM), European (AL, AT, BE, BG, CH, CY, CZ, DE, DK, EE, ES, FI, FR, GB, GR, HR, HU, IE, IS, IT, LT, LU, LV, MC, MK, MT, NL, NO, PL, PT, RO, RS, SE, SI, SK, SM, TR), OAPI (BF, BJ, CF, CG, CI, CM, GA, GN, GQ, GW, KM, ML, MR, NE, SN, TD, TG).

Published:

- with international search report (Art. 21(3))
- before the expiration of the time limit for amending the claims and to be republished in the event of receipt of amendments (Rule 48.2(h))

[Continued on next page]

(54) Title: PORTABLE PACKAGE CARRYING CASE



(57) Abstract: A portable package carrying case (10) can be used to carry a plurality of food containers (20). Various versions of the case (10) are provided. Methods for carrying food containers (20) are also provided. The cases (10) and the methods enable containers (20) to be easily secured in the case (10), preferably while the containers (20) remain at least partially visible, and also enable the containers (20) to be easily removed from the case (10).



(88) Date of publication of the international search report:
14 January 2016

INTERNATIONAL SEARCH REPORT

International application No
PCT/IB2015/051243

A. CLASSIFICATION OF SUBJECT MATTER
 INV. B65D71/52 A47J31/36 A47G23/02 B65D71/50 B65D77/04
 B65D75/32 B65D75/24

ADD.

According to International Patent Classification (IPC) or to both national classification and IPC

B. FIELDS SEARCHED

Minimum documentation searched (classification system followed by classification symbols)
 B65D A47J A47G

Documentation searched other than minimum documentation to the extent that such documents are included in the fields searched

Electronic data base consulted during the international search (name of data base and, where practicable, search terms used)
 EPO-Internal, WPI Data

C. DOCUMENTS CONSIDERED TO BE RELEVANT

Category*	Citation of document, with indication, where appropriate, of the relevant passages	Relevant to claim No.
X	EP 0 158 429 A1 (SMITH PETER LEONARD) 16 October 1985 (1985-10-16)	1-6,8-11
Y	page 1 - page 8 figures 1-11	7
Y	----- US 2012/097555 A1 (MUNN SHERI Y [US]) 26 April 2012 (2012-04-26) paragraph [0007] - paragraph [0036] figures 1,2	7
X	----- US 4 628 705 A (NAVE THOMAS J [US]) 16 December 1986 (1986-12-16)	1-6,8-11
A	column 5, line 3 - column 7, line 56 figures 1-10	7
X	----- FR 2 202 502 A5 (FLAX V [FR]) 3 May 1974 (1974-05-03) page 1 - page 3 figures 1-7	1,7,9,10

Further documents are listed in the continuation of Box C.

See patent family annex.

* Special categories of cited documents :

- "A" document defining the general state of the art which is not considered to be of particular relevance
- "E" earlier application or patent but published on or after the international filing date
- "L" document which may throw doubts on priority claim(s) or which is cited to establish the publication date of another citation or other special reason (as specified)
- "O" document referring to an oral disclosure, use, exhibition or other means
- "P" document published prior to the international filing date but later than the priority date claimed

- "T" later document published after the international filing date or priority date and not in conflict with the application but cited to understand the principle or theory underlying the invention
- "X" document of particular relevance; the claimed invention cannot be considered novel or cannot be considered to involve an inventive step when the document is taken alone
- "Y" document of particular relevance; the claimed invention cannot be considered to involve an inventive step when the document is combined with one or more other such documents, such combination being obvious to a person skilled in the art
- "&" document member of the same patent family

Date of the actual completion of the international search 14 August 2015	Date of mailing of the international search report 09/11/2015
---	--

Name and mailing address of the ISA/ European Patent Office, P.B. 5818 Patentlaan 2 NL - 2280 HV Rijswijk Tel. (+31-70) 340-2040, Fax: (+31-70) 340-3016	Authorized officer Rodriguez Gombau, F
--	---

INTERNATIONAL SEARCH REPORT

Information on patent family members

International application No

PCT/IB2015/051243

Patent document cited in search report	Publication date	Patent family member(s)	Publication date	
EP 0158429	A1	16-10-1985	EP 0158429 A1	16-10-1985
			JP S61139 A	06-01-1986

US 2012097555	A1	26-04-2012	NONE	

US 4628705	A	16-12-1986	NONE	

FR 2202502	A5	03-05-1974	NONE	

INTERNATIONAL SEARCH REPORT

International application No.
PCT/IB2015/051243

Box No. II Observations where certain claims were found unsearchable (Continuation of item 2 of first sheet)

This international search report has not been established in respect of certain claims under Article 17(2)(a) for the following reasons:

1. Claims Nos.:
because they relate to subject matter not required to be searched by this Authority, namely:

2. Claims Nos.:
because they relate to parts of the international application that do not comply with the prescribed requirements to such an extent that no meaningful international search can be carried out, specifically:

3. Claims Nos.:
because they are dependent claims and are not drafted in accordance with the second and third sentences of Rule 6.4(a).

Box No. III Observations where unity of invention is lacking (Continuation of item 3 of first sheet)

This International Searching Authority found multiple inventions in this international application, as follows:

see additional sheet

1. As all required additional search fees were timely paid by the applicant, this international search report covers all searchable claims.

2. As all searchable claims could be searched without effort justifying an additional fees, this Authority did not invite payment of additional fees.

3. As only some of the required additional search fees were timely paid by the applicant, this international search report covers only those claims for which fees were paid, specifically claims Nos.:

4. No required additional search fees were timely paid by the applicant. Consequently, this international search report is restricted to the invention first mentioned in the claims; it is covered by claims Nos.:

1-11

Remark on Protest

- The additional search fees were accompanied by the applicant's protest and, where applicable, the payment of a protest fee.
- The additional search fees were accompanied by the applicant's protest but the applicable protest fee was not paid within the time limit specified in the invitation.
- No protest accompanied the payment of additional search fees.

FURTHER INFORMATION CONTINUED FROM PCT/ISA/ 210

This International Searching Authority found multiple (groups of) inventions in this international application, as follows:

1. claims: 1-11

Case having first and second sides

2. claims: 12-30

Case having securing members
