



US00D748558S

(12) **United States Design Patent**  
**Hans et al.**

(10) **Patent No.:** **US D748,558 S**

(45) **Date of Patent:** **\*\* Feb. 2, 2016**

(54) **WHEEL OR WHEEL COVER**

(71) Applicant: **Daimler AG**, Stuttgart (DE)

(72) Inventors: **Bernhard Hans**, Kirchberg (DE);  
**Volker Hellwig**, Stuttgart (DE)

(73) Assignee: **Daimler AG**, Stuttgart (DE)

(\*\*) Term: **14 Years**

(21) Appl. No.: **29/491,698**

(22) Filed: **May 23, 2014**

(30) **Foreign Application Priority Data**

Nov. 25, 2013 (EM) ..... 002351247-0006

(51) **LOC (10) Cl.** ..... **12-16**

(52) **U.S. Cl.**  
USPC ..... **D12/211**

(58) **Field of Classification Search**  
USPC ..... D12/204–213  
CPC ..... B60B 7/00; B60B 7/02; B60B 7/04;  
B60B 7/01; B60B 7/06; B60B 3/02; B60B  
3/04; B60B 3/06; B60B 3/10; B60B 1/00;  
B60B 1/08; B60B 1/10; B60B 1/12

See application file for complete search history.

(56) **References Cited**

U.S. PATENT DOCUMENTS

|              |        |          |       |         |
|--------------|--------|----------|-------|---------|
| D485,524 S * | 1/2004 | Bhambra  | ..... | D12/209 |
| D597,919 S * | 8/2009 | Atwell   | ..... | D12/211 |
| D612,790 S * | 3/2010 | Tant     | ..... | D12/211 |
| D620,862 S * | 8/2010 | Pollmann | ..... | D12/209 |
| D639,714 S * | 6/2011 | Baum     | ..... | D12/209 |
| D645,390 S * | 9/2011 | De Bono  | ..... | D12/209 |
| D689,809 S * | 9/2013 | Kim      | ..... | D12/209 |
| D702,614 S * | 4/2014 | Lemke    | ..... | D12/211 |
| D710,780 S * | 8/2014 | Borkert  | ..... | D12/211 |
| D721,028 S * | 1/2015 | Lemke    | ..... | D12/211 |
| D726,091 S * | 4/2015 | Mays     | ..... | D12/211 |
| D727,235 S * | 4/2015 | Hans     | ..... | D12/211 |

\* cited by examiner

*Primary Examiner* — Stacia Cadmus

(74) *Attorney, Agent, or Firm* — Crowell & Moring LLP

(57) **CLAIM**

The ornamental design for a wheel or wheel cover, as shown and described.

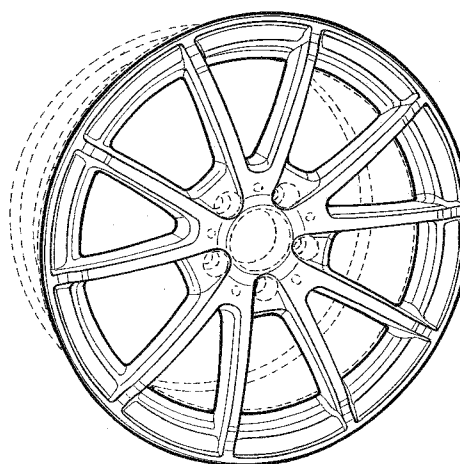
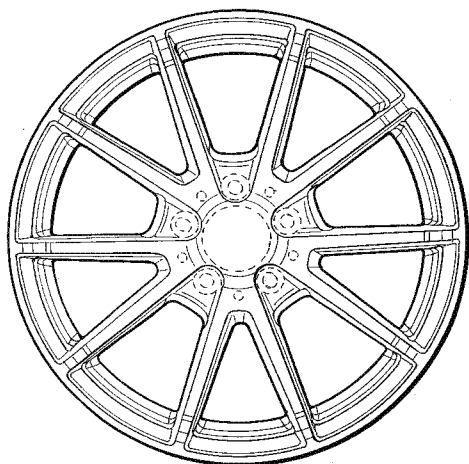
**DESCRIPTION**

FIG. 1 is a front view of a wheel or wheel cover according to the design; and,

FIG. 2 is a perspective view thereof.

The broken line showing of the rear of the wheel, the bolt holes and the center hole in the central hub area is included for the purpose of illustrating environment and forms no part of the claimed design.

**1 Claim, 1 Drawing Sheet**



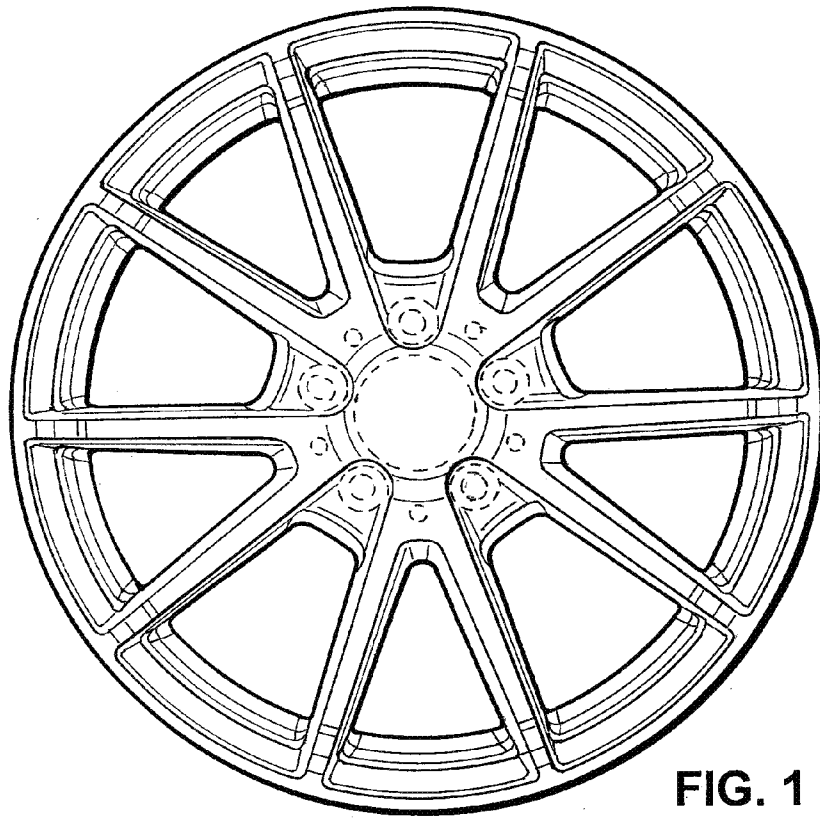


FIG. 1

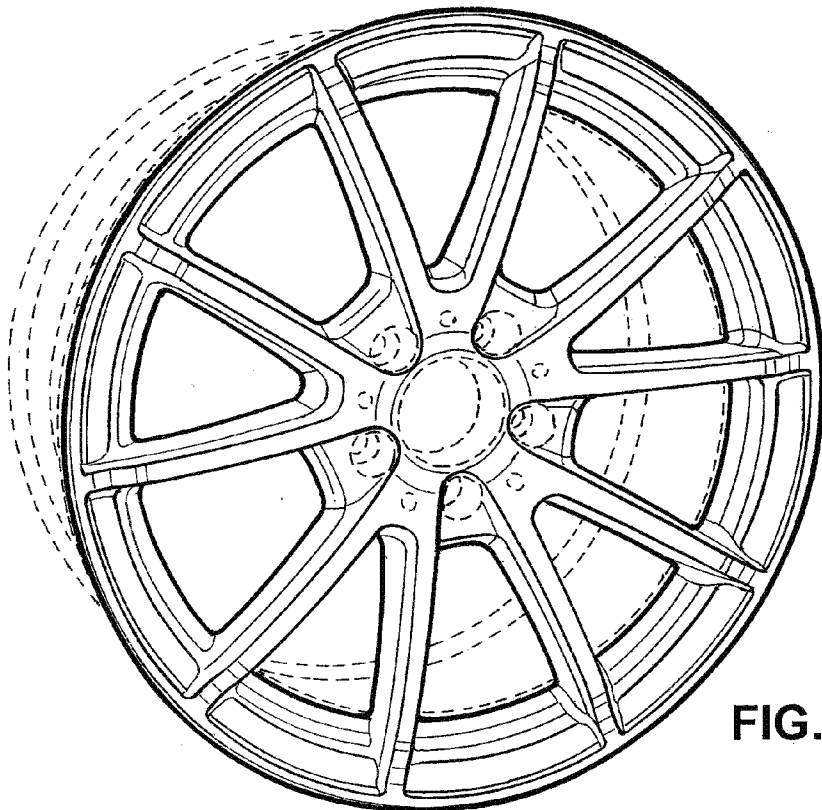


FIG. 2