

(19) World Intellectual Property Organization
International Bureau



(43) International Publication Date
3 January 2008 (03.01.2008)

PCT

(10) International Publication Number
WO 2008/003076 A3

(51) International Patent Classification:
B05B 11/00 (2006.01) B65D 47/34 (2006.01)

(74) Agent: JENSEN, Devin R; MeadWestvaco Corporation,
1021 Main Campus Drive, Floor 3, Centennial Campus,
Raleigh, NC 27606, (US).

(21) International Application Number:
PCT/US2007/072459

(81) Designated States (unless otherwise indicated, for every
kind of national protection available): AE, AG, AL, AM,
AT, AU, AZ, BA, BB, BG, BH, BR, BW, BY, BZ, CA, CH,
CN, CO, CR, CU, CZ, DE, DK, DM, DO, DZ, EC, EE, EG,
ES, FI, GB, GD, GE, GH, GM, GT, HN, HR, HU, ID, IL,
IN, IS, JP, KE, KG, KM, KN, KP, KR, KZ, LA, LC, LK,
LR, LS, LT, LU, LY, MA, MD, ME, MG, MK, MN, MW,
MX, MY, MZ, NA, NG, NI, NO, NZ, OM, PG, PH, PL,
PT, RO, RS, RU, SC, SD, SE, SG, SK, SL, SM, SV, SY,
TJ, TM, TN, TR, TT, TZ, UA, UG, US, UZ, VC, VN, ZA,
ZM, ZW.

(22) International Filing Date: 29 June 2007 (29.06.2007)

(25) Filing Language: English

(26) Publication Language: English

(30) Priority Data:
MI2006A001266 29 June 2006 (29.06.2006) IT

(71) Applicant (for all designated States except US): MEAD-
WESTVACO CORPORATION [US/US]; 11013 West
Broad Street, Glen Allen, VA 23060 (US).

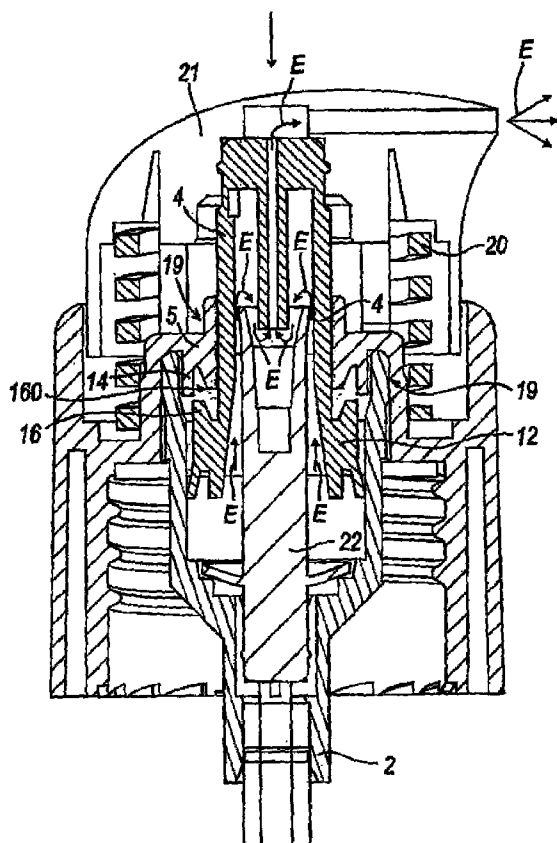
(84) Designated States (unless otherwise indicated, for every
kind of regional protection available): ARIPO (BW, GH,
GM, KE, LS, MW, MZ, NA, SD, SL, SZ, TZ, UG, ZM,
ZW), Eurasian (AM, AZ, BY, KG, KZ, MD, RU, TJ, TM),
European (AT, BE, BG, CH, CY, CZ, DE, DK, EE, ES, FI,
FR, GB, GR, HU, IE, IS, IT, LT, LU, LV, MC, MT, NL, PL,

(72) Inventor; and

(75) Inventor/Applicant (for US only): MARELLI, Andrea
[IT/IT]; Via G. Di Vittorio, 29 20090 Pieve, Emanuele, Via
G. Di Vittorio, Frizzonasco, I-20090 Milan (IT).

[Continued on next page]

(54) Title: PUMPS AND METHODS FOR USING THE SAME



(57) Abstract: A simplified delivery pump for fluid
substances may include a cup unit having an extended
rod positioned inside the cup unit, a first end of the
extended rod being inserted and held in a housing at the
second end of the cup unit, and an intermediate portion
of the rod having a cylindrical profile with a diame-
ter which is less than the diameter of the cavity of this
shaft within which the portion of the rod extends, and
that this mobile stop valve for the cavity of the shaft
includes a continuous flexible lip which protrudes out
from a second end of the rod towards the outside of
this cylindrical chamber, this lip sliding on contact and
sealing the cylindrical surface of the cavity of the shaft
itself.

WO 2008/003076 A3



PT, RO, SE, SI, SK, TR), OAPI (BF, BJ, CF, CG, CI, CM,
GA, GN, GQ, GW, ML, MR, NE, SN, TD, TG).

— *before the expiration of the time limit for amending the
claims and to be republished in the event of receipt of
amendments*

Published:

— *with international search report*

(88) Date of publication of the international search report:

5 June 2008

INTERNATIONAL SEARCH REPORT

International application No

PCT/US2007/072459

A. CLASSIFICATION OF SUBJECT MATTER
 INV. B05B11/00 B65D47/34

According to International Patent Classification (IPC) or to both national classification and IPC

B. FIELDS SEARCHED

Minimum documentation searched (classification system followed by classification symbols)
 B05B

Documentation searched other than minimum documentation to the extent that such documents are included in the fields searched

Electronic data base consulted during the international search (name of data base and, where practical, search terms used)

EPO-Internal

C. DOCUMENTS CONSIDERED TO BE RELEVANT

Category*	Citation of document, with indication, where appropriate, of the relevant passages	Relevant to claim No.
X	US 3 877 616 A (STEVENS SILVESTER WILLIAM) 15 April 1975 (1975-04-15) column 1, line 65 - column 3, line 7; figures	1, 2, 4-14
A	FR 2 643 338 A (VALOIS [FR]) 24 August 1990 (1990-08-24) abstract; figure 3	1
A	EP 1 525 923 A (MICROSPRAY DELTA SPA [IT]) 27 April 2005 (2005-04-27) abstract; figure 1	5
A	US 5 992 704 A (JAEGER-WALDAU REINHOLD [DE]) 30 November 1999 (1999-11-30) figures 6,7	7,8

Further documents are listed in the continuation of Box C.

See patent family annex.

* Special categories of cited documents :

- *A* document defining the general state of the art which is not considered to be of particular relevance
- *E* earlier document but published on or after the international filing date
- *L* document which may throw doubts on priority claim(s) or which is cited to establish the publication date of another citation or other special reason (as specified)
- *O* document referring to an oral disclosure, use, exhibition or other means
- *P* document published prior to the international filing date but later than the priority date claimed

- *T* later document published after the international filing date or priority date and not in conflict with the application but cited to understand the principle or theory underlying the invention
- *X* document of particular relevance; the claimed invention cannot be considered novel or cannot be considered to involve an inventive step when the document is taken alone
- *Y* document of particular relevance; the claimed invention cannot be considered to involve an inventive step when the document is combined with one or more other such documents, such combination being obvious to a person skilled in the art.
- *&* document member of the same patent family

Date of the actual completion of the international search

2 April 2008

Date of mailing of the international search report

11/04/2008

Name and mailing address of the ISA/
 European Patent Office, P.B. 5818 Patentlaan 2
 NL - 2280 HV Rijswijk
 Tel. (+31-70) 340-2040, Tx. 31 651 epo nl,
 Fax: (+31-70) 340-3016

Authorized officer

Brévier, François

INTERNATIONAL SEARCH REPORT

Information on patent family members

International application No

PCT/US2007/072459

Patent document cited in search report		Publication date	Patent family member(s)	Publication date
US 3877616	A	15-04-1975	AR 206210 A1	07-07-1976
			AT 341362 B	10-02-1978
			AT 515574 A	15-05-1977
			AU 471702 B2	29-04-1976
			AU 5735773 A	09-01-1975
			CA 1004642 A1	01-02-1977
			CH 568895 A5	14-11-1975
			DE 2428978 A1	30-04-1975
			DE 7420617 U	26-07-1979
			ES 427619 A1	01-08-1976
			FI 194174 A	27-12-1974
			FR 2235062 A1	24-01-1975
			GB 1426663 A	03-03-1976
			IT 1015503 B	20-05-1977
			JP 50069607 A	10-06-1975
			NL 7408325 A	30-12-1974
			SE 399104 B	30-01-1978
			SE 7408289 A	27-12-1974
			ZA 7403744 A	25-06-1975
			FR 2643338	A
EP 1525923	A	27-04-2005	AT 315443 T	15-02-2006
			CA 2484408 A1	24-04-2005
			DE 602004000312 T2	31-08-2006
			ES 2256816 T3	16-07-2006
			US 2005087564 A1	28-04-2005
US 5992704	A	30-11-1999	AT 286434 T	15-01-2005
			AU 711137 B2	07-10-1999
			AU 1236397 A	21-08-1997
			BR 9700941 A	01-09-1998
			DE 19605153 A1	14-08-1997
			EP 0790079 A2	20-08-1997
			ES 2236762 T3	16-07-2005
			JP 9225360 A	02-09-1997