



US00D610259S

(12) **United States Design Patent**  
**Way et al.**

(10) **Patent No.:** **US D610,259 S**

(45) **Date of Patent:** **\*\* Feb. 16, 2010**

(54) **TISSUE MODIFICATION DEVICE**

(75) Inventors: **Bryce Way**, San Jose, CA (US); **Alberto Cantu**, San Francisco, CA (US); **Minh Tran**, Fountain Valley, CA (US)

(73) Assignee: **Vertos Medical, Inc.**, Aliso Viejo, CA (US)

(\*\*) Term: **14 Years**

(21) Appl. No.: **29/326,746**

(22) Filed: **Oct. 23, 2008**

(51) **LOC (9) Cl.** ..... **24-02**

(52) **U.S. Cl.** ..... **D24/147; D24/133**

(58) **Field of Classification Search** ..... D24/133,  
D24/143-147, 170; 600/131, 210, 562, 564,  
600/566-567, 65; 606/42, 45-52, 108, 167,  
606/170, 205-207, 184, 172

See application file for complete search history.

(56) **References Cited**

**U.S. PATENT DOCUMENTS**

- 1,493,240 A 5/1924 Bohn
- 3,628,524 A 12/1971 Jamshidi
- 3,732,858 A 5/1973 Banko
- 3,893,445 A 7/1975 Hofsess
- 3,929,123 A 12/1975 Jamshidi
- 3,945,372 A 3/1976 Milan et al.
- 4,103,690 A 8/1978 Harris
- 4,201,213 A 5/1980 Townsend
- 4,283,129 A 8/1981 Bennick, Jr.
- 4,535,773 A 8/1985 Yoon
- 4,603,694 A 8/1986 Wheeler
- 4,682,606 A 7/1987 DeCaprio
- 4,708,147 A 11/1987 Haaga
- 4,733,663 A 3/1988 Farley
- 4,777,948 A 10/1988 Wright
- 4,801,293 A 1/1989 Jackson
- 4,811,734 A 3/1989 McGurk-Burleson et al.
- 4,834,729 A 5/1989 Sjostrom
- 4,844,064 A 7/1989 Thimsen et al.
- 4,850,354 A 7/1989 McGurk-Burleson et al.

- 4,867,157 A 9/1989 McGurk-Burleson et al.
- 4,931,059 A 6/1990 Markham
- 4,991,600 A 2/1991 Taylor
- 4,994,072 A 2/1991 Bhate et al.
- 5,026,375 A 6/1991 Linovitz et al.

(Continued)

**FOREIGN PATENT DOCUMENTS**

WO WO 1997/34536 A2 9/1997

(Continued)

**OTHER PUBLICATIONS**

Brunette, et al. Comparative rheology of low- and iso-osmolarity contrast agents at different temperatures. *Catheter Cardiovasc Interv.* Jan. 1, 2008;71(1):78-83.

(Continued)

*Primary Examiner*—Ian Simmons

*Assistant Examiner*—Wan Laymon

(74) *Attorney, Agent, or Firm*—Finnegan, Henderson, Farabow, Garrett & Dunner LLP

(57) **CLAIM**

The ornamental design for a tissue modification device, as shown and described.

**DESCRIPTION**

FIG. 1 is a perspective view of the tissue excision device of the present invention showing the new design;

FIG. 2 is a top plan view thereof;

FIG. 3 is a front elevational view thereof;

FIG. 4 is a right side elevational view thereof;

FIG. 5 is a left side elevational view thereof;

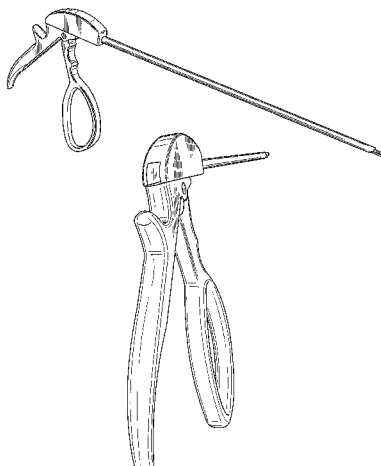
FIG. 6 is a rear elevational view thereof;

FIG. 7 is a bottom plan view thereof;

FIG. 8 is a bottom perspective view thereof; and,

FIG. 9 is an enlarged rear perspective view thereof.

**1 Claim, 7 Drawing Sheets**



# US D610,259 S

U.S. PATENT DOCUMENTS					
5,026,386 A	6/1991	Michelson et al.		6,142,997 A	11/2000 Michelson
5,040,542 A	8/1991	Gray		6,221,006 B1	4/2001 Dubrul et al.
5,061,269 A *	10/1991	Muller ..... 606/83		6,241,747 B1	6/2001 Ruff
5,108,403 A	4/1992	Stern		6,258,093 B1	7/2001 Edwards et al.
5,127,916 A	7/1992	Spencer et al.		6,261,294 B1	7/2001 Stihl et al.
5,172,702 A	12/1992	Leigh et al.		6,261,582 B1	7/2001 Needham et al.
5,180,393 A	1/1993	Commarmond		6,264,087 B1	7/2001 Whitman
5,190,759 A	3/1993	Lindblad et al.		6,264,617 B1	7/2001 Bales et al.
5,215,105 A	6/1993	Kizelshteyn et al.		6,268,405 B1	7/2001 Yao et al.
5,226,910 A	7/1993	Kajiyama et al.		6,273,862 B1	8/2001 Privitera et al.
5,269,785 A	12/1993	Bonutti		6,287,304 B1	9/2001 Eggers et al.
5,273,519 A *	12/1993	Koros et al. .... 606/83		6,296,639 B1	10/2001 Truckai et al.
5,290,303 A	3/1994	Pingleton et al.		6,306,156 B1	10/2001 Clark
5,300,045 A	4/1994	Plassche		6,332,886 B1	12/2001 Green et al.
5,327,896 A *	7/1994	Schmieding ..... 600/566		6,358,217 B1	3/2002 Bourassa
5,354,266 A	10/1994	Snoke		6,358,254 B1	3/2002 Anderson
5,366,477 A	11/1994	LeMarie et al.		6,375,659 B1	4/2002 Erbe et al.
5,373,854 A	12/1994	Kolozsi		6,419,684 B1	7/2002 Heisler et al.
5,385,570 A	1/1995	Chin et al.		6,423,332 B1	7/2002 Huxel et al.
D358,645 S *	5/1995	Ryan et al. .... D24/147		6,425,859 B1	7/2002 Foley et al.
5,429,138 A	7/1995	Jamshidi		6,428,486 B2	8/2002 Ritchart et al.
5,439,464 A	8/1995	Shapiro		6,428,498 B2	8/2002 Uflacker
5,451,227 A	9/1995	Michaelson		6,443,910 B1	9/2002 Krueger et al.
5,458,112 A	10/1995	Weaver		6,454,767 B2	9/2002 Alleyne
5,462,062 A	10/1995	Rubinstein		6,464,682 B1	10/2002 Snoke
5,496,269 A	3/1996	Snoke		6,470,209 B2	10/2002 Snoke
5,514,379 A	5/1996	Weissleder et al.		6,478,805 B1	11/2002 Marino et al.
5,531,749 A	7/1996	Michelson		6,488,636 B2	12/2002 Bryan et al.
5,540,693 A	7/1996	Fisher		6,506,190 B1	1/2003 Walshe
5,562,102 A	10/1996	Taylor		6,514,256 B2	2/2003 Zucherman et al.
5,569,258 A	10/1996	Gambale		6,520,907 B1	2/2003 Foley et al.
5,569,284 A	10/1996	Young et al.		6,530,933 B1	3/2003 Yeung et al.
5,575,794 A *	11/1996	Walus et al. .... 606/116		6,572,563 B2	6/2003 Ouchi
5,582,618 A	12/1996	Chin et al.		6,575,919 B1	6/2003 Reiley et al.
5,595,186 A	1/1997	Rubinstein et al.		6,575,968 B1	6/2003 Eggers et al.
5,613,972 A	3/1997	Lee et al.		6,575,977 B1 *	6/2003 Michelson ..... 606/83
5,638,827 A	6/1997	Palmer et al.		6,599,310 B2	7/2003 Leung et al.
5,645,075 A	7/1997	Palmer et al.		6,602,248 B1	8/2003 Sharps et al.
5,681,337 A	10/1997	Bray, Jr.		6,605,294 B2	8/2003 Sawhney et al.
5,705,485 A	1/1998	Cini et al.		6,620,185 B1	9/2003 Harvie et al.
5,709,697 A	1/1998	Ratcliff et al.		6,626,916 B1	9/2003 Yeung et al.
5,718,237 A	2/1998	Haaga		6,645,213 B2	11/2003 Sand et al.
5,730,754 A	3/1998	Obenchain		6,652,558 B2	11/2003 Patel et al.
5,759,185 A	6/1998	Grinberg et al.		6,669,729 B2	12/2003 Chin et al.
5,762,639 A *	6/1998	Gibbs ..... 604/272		6,692,445 B2	2/2004 Roberts et al.
5,772,597 A	6/1998	Goldberger et al.		6,716,216 B1	4/2004 Boucher et al.
5,775,333 A	7/1998	Burbank et al.		6,746,093 B2	6/2004 Martinez et al.
5,782,849 A	7/1998	Miller		6,746,451 B2	6/2004 Middleton et al.
5,827,289 A	10/1998	Reiley et al.		6,772,012 B2	8/2004 Ricart et al.
5,827,305 A	10/1998	Gordon		6,783,534 B2	8/2004 Mehdizadeh
5,836,948 A	11/1998	Zucherman et al.		6,818,001 B2	11/2004 Wulfman et al.
5,840,338 A	11/1998	Roos et al.		6,852,095 B1	2/2005 Ray
5,853,366 A	12/1998	Dowlatshahi		6,858,229 B1	2/2005 Hubbell et al.
5,857,996 A	1/1999	Snoke		6,925,323 B2	8/2005 Snoke
5,860,991 A	1/1999	Klein et al.		6,991,633 B2 *	1/2006 Agbodoe ..... 606/83
5,868,745 A	2/1999	Alleyne		7,008,433 B2	3/2006 Voellmicke et al.
5,873,886 A	2/1999	Larsen et al.		7,011,663 B2 *	3/2006 Michelson ..... 606/83
5,879,353 A	3/1999	Terry		7,025,771 B2	4/2006 Kuslich et al.
5,879,365 A	3/1999	Whitfield et al.		7,041,050 B1	5/2006 Ronald
5,916,858 A	6/1999	Kim et al.		7,066,942 B2	6/2006 Treace
5,925,050 A	7/1999	Howard, III		7,070,596 B1	7/2006 Woloszko et al.
5,925,056 A	7/1999	Thomas et al.		7,101,382 B2	9/2006 George et al.
5,931,855 A	8/1999	Buncke		7,137,956 B2	11/2006 Nishtalas et al.
5,964,782 A	10/1999	Lafontaine		7,189,206 B2	3/2007 Quick et al.
5,980,525 A	11/1999	Bryant et al.		7,201,722 B2	4/2007 Krueger
5,985,320 A	11/1999	Edwards et al.		7,276,032 B2	10/2007 Hibner
6,010,493 A	1/2000	Snoke		7,297,147 B2 *	11/2007 Michelson ..... 606/83
6,019,765 A	2/2000	Thornhill et al.		7,322,978 B2	1/2008 West, Jr.
6,022,362 A	2/2000	Lee et al.		7,329,402 B2	2/2008 Unger et al.
6,083,237 A	7/2000	Huitema et al.		7,445,634 B2	11/2008 Trieu
6,096,053 A	8/2000	Bates		2001/0005778 A1	6/2001 Ouchi
				2003/0009125 A1	1/2003 Nita et al.
				2003/0077225 A1	4/2003 Laurent et al.

# US D610,259 S

Page 3

2003/0165555	A1	9/2003	Ding et al.	2006/0235451	A1	10/2006	Schomer et al.
2003/0220650	A1	11/2003	Major et al.	2006/0235452	A1	10/2006	Schomer et al.
2004/0049217	A1	3/2004	Ross et al.	2006/0264994	A1	11/2006	Schomer et al.
2004/0059370	A1	3/2004	Greene, Jr. et al.	2007/0005084	A1	1/2007	Clague et al.
2004/0138701	A1	7/2004	Haluck	2007/0027464	A1	2/2007	Way et al.
2004/0210231	A1	10/2004	Boucher et al.	2007/0055263	A1	3/2007	Way et al.
2005/0037079	A1	2/2005	Son et al.	2007/0123888	A1	5/2007	Bleich et al.
2005/0038432	A1	2/2005	Shaolian et al.	2007/0162061	A1	7/2007	Way et al.
2005/0075630	A1	4/2005	Truckai et al.	2007/0198019	A1	8/2007	Schomer et al.
2005/0080441	A1	4/2005	Dodge et al.	2007/0225703	A1	9/2007	Schmitz et al.
2005/0137602	A1	6/2005	Assell et al.	2007/0276390	A1	11/2007	Solsberg et al.
2005/0209610	A1	9/2005	Carrison	2008/0161809	A1*	7/2008	Schmitz et al. .... 606/79
2005/0228403	A1	10/2005	Ho et al.	2008/0221383	A1	9/2008	Way et al.
2005/0267503	A1*	12/2005	Hunstad ..... 606/170	2009/0118709	A1*	5/2009	Sand et al. .... 604/540
2006/0030785	A1	2/2006	Field et al.				
2006/0036211	A1	2/2006	Solsberg et al.				
2006/0036271	A1	2/2006	Schomer et al.				
2006/0036272	A1	2/2006	Solsberg et al.				
2006/0089609	A1	4/2006	Bleich et al.				
2006/0089633	A1	4/2006	Bleich et al.				
2006/0089640	A1	4/2006	Bleich et al.				
2006/0094976	A1	5/2006	Bleich et al.				
2006/0095028	A1	5/2006	Bleich et al.				
2006/0095059	A1	5/2006	Bleich et al.				
2006/0100651	A1	5/2006	Bleich				
2006/0122458	A1	6/2006	Bleich				
2006/0122535	A1	6/2006	Daum				
2006/0135882	A1	6/2006	Bleich				
2006/0178682	A1	8/2006	Boehlke				
2006/0184175	A1	8/2006	Schomer et al.				
2006/0206115	A1	9/2006	Schomer et al.				
2006/0235334	A1	10/2006	Corvi et al.				

## FOREIGN PATENT DOCUMENTS

WO	WO 1997/34536	A3	11/1997
WO	WO 2000/45868	A1	8/2000
WO	WO 2001/08571	A1	2/2001
WO	WO 2002/076311	A2	10/2002
WO	WO 2002/076311	A3	2/2004

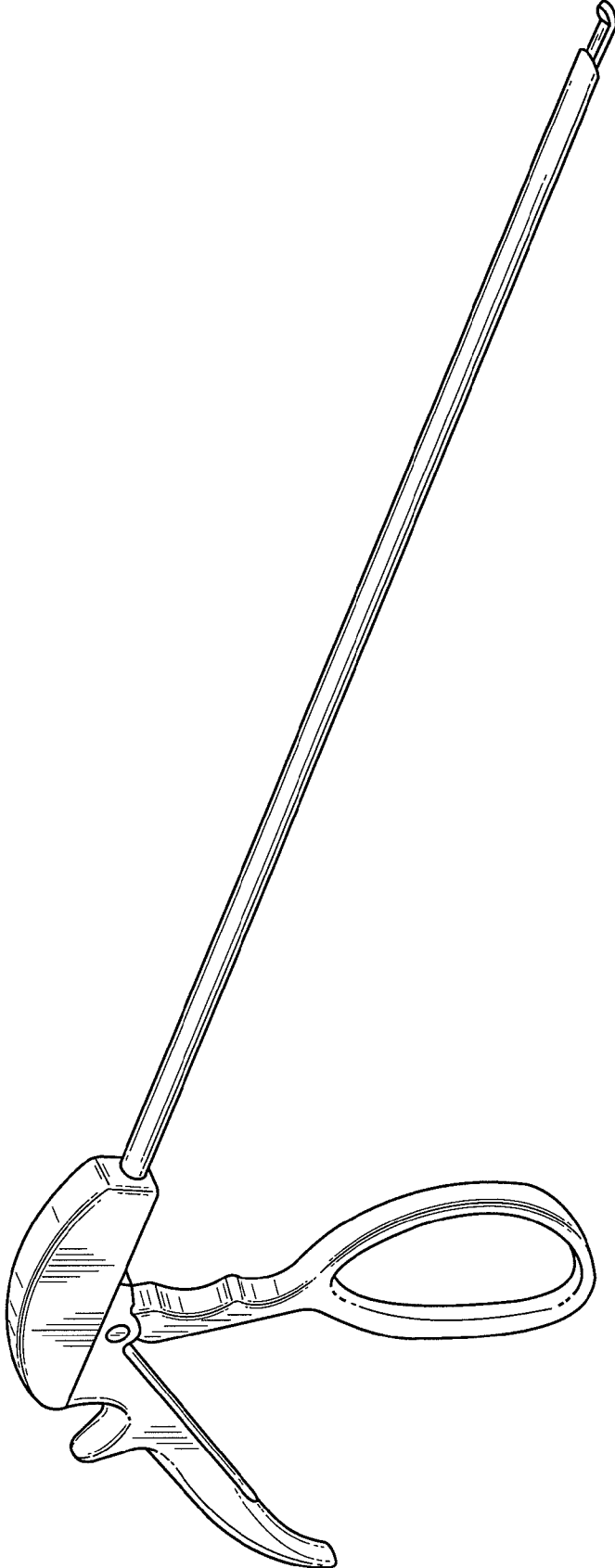
## OTHER PUBLICATIONS

International Search Report and Written Opinion for Appl. No. PCT/US06/04342 dated Sep. 18, 2007.

International Search Report and Written Opinion for Appl. No. PCT/US2006/030299 dated Aug. 2007.

International Search Report for International Application No. PCT/US05/27216 dated Nov. 29, 2005.

\* cited by examiner



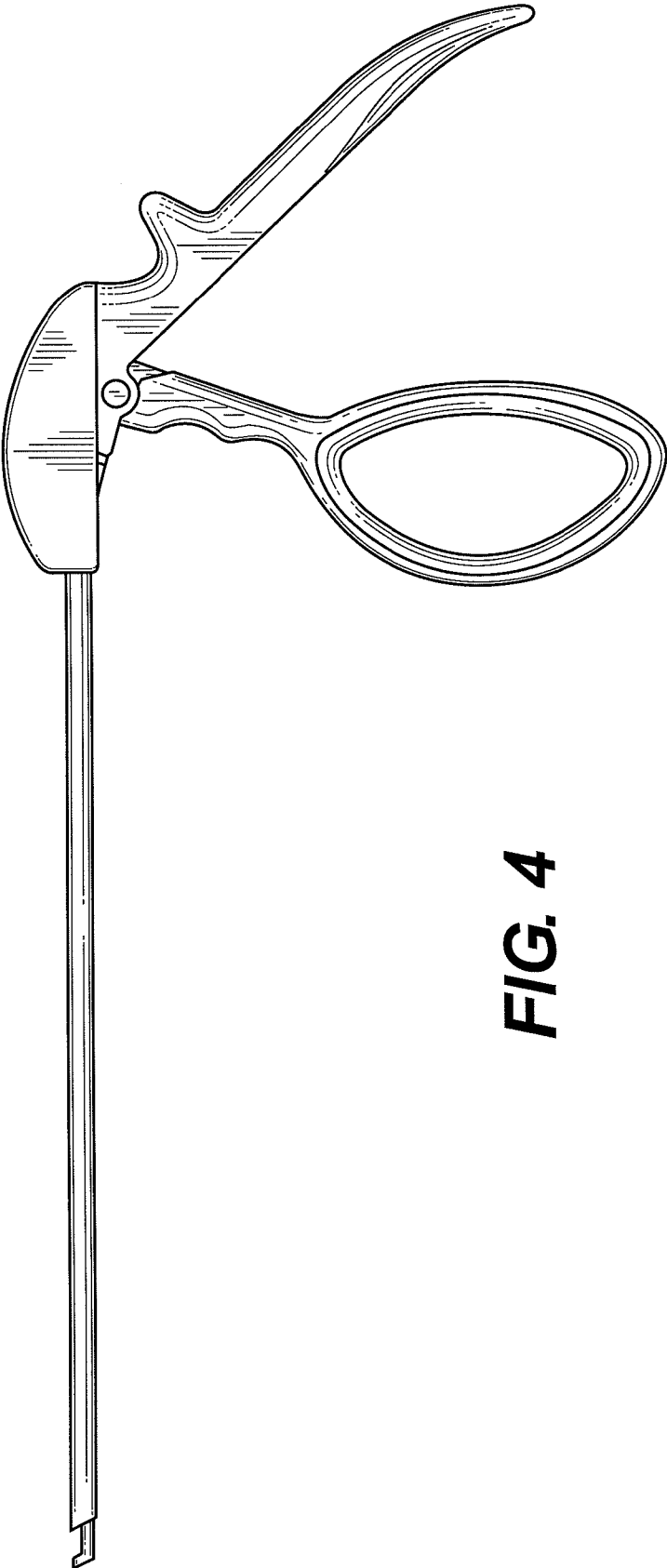
**FIG. 1**



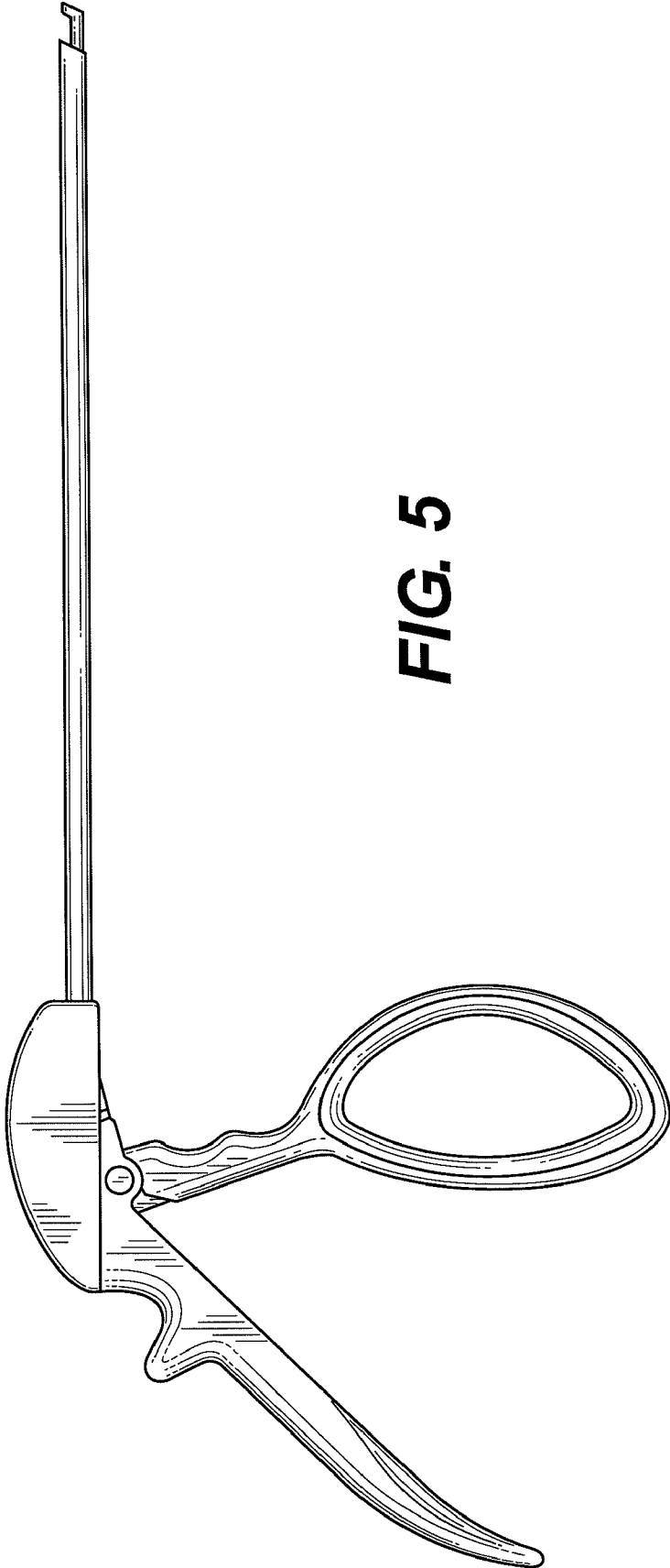
**FIG. 2**



**FIG. 3**



**FIG. 4**

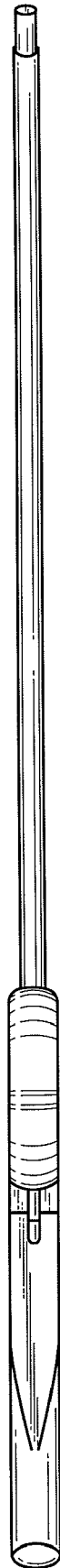


**FIG. 5**

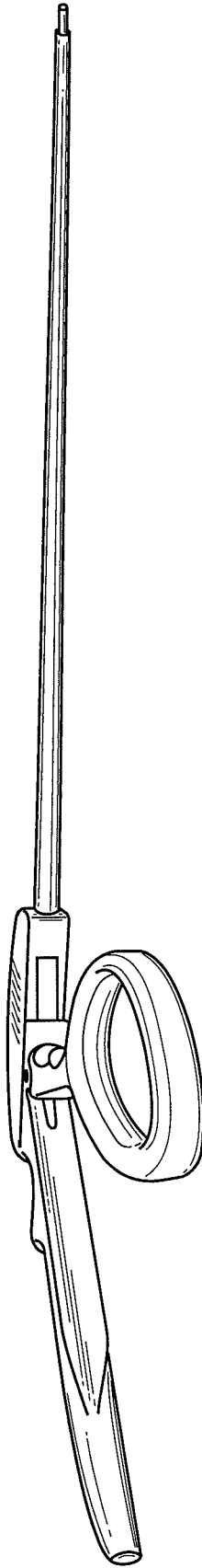
**FIG. 6**



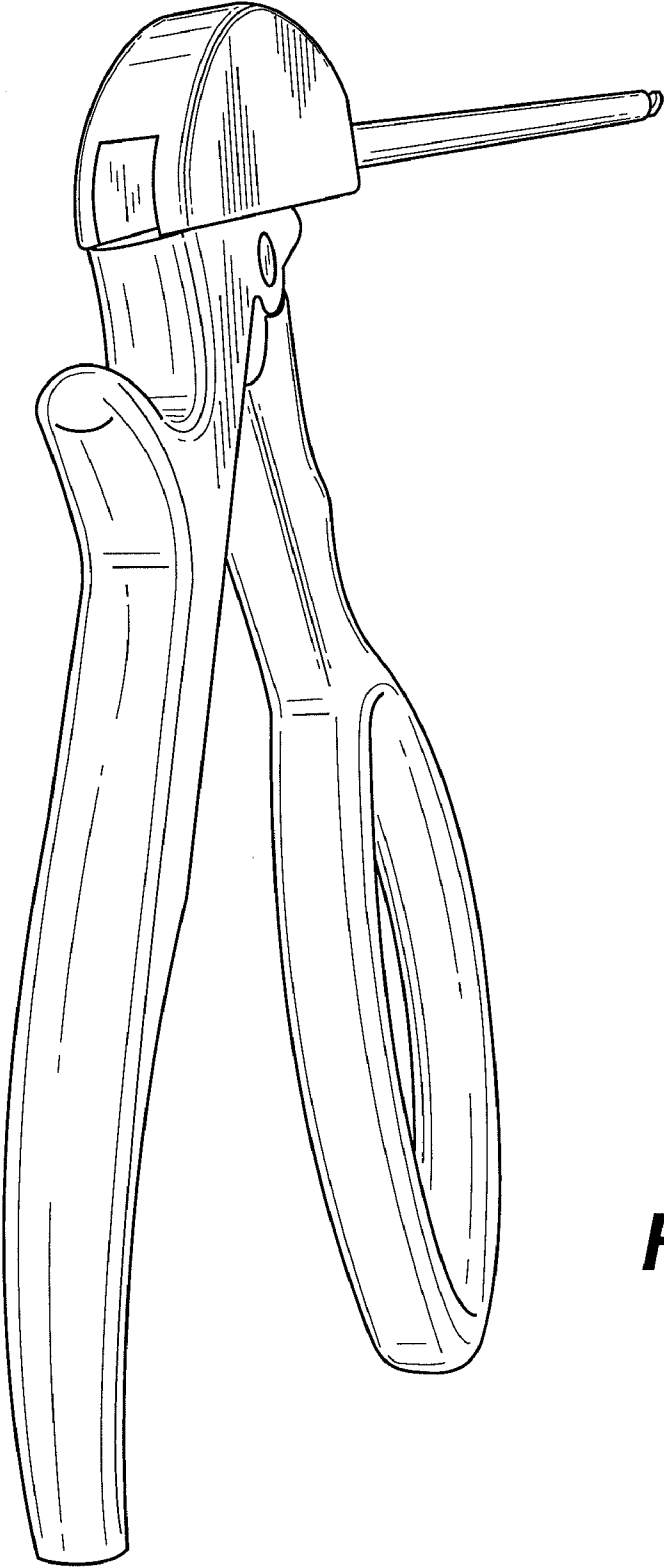
**FIG. 7**







**FIG. 8**



**FIG. 9**