

(19) World Intellectual Property Organization  
International Bureau



(43) International Publication Date  
28 December 2006 (28.12.2006)

PCT

(10) International Publication Number  
WO 2006/138523 A3

(51) International Patent Classification:  
A47C 4/00 (2006.01)

(21) International Application Number:  
PCT/US2006/023421

(22) International Filing Date: 15 June 2006 (15.06.2006)

(25) Filing Language: English

(26) Publication Language: English

(30) Priority Data:  
11/154,275 16 June 2005 (16.06.2005) US

(71) Applicants and

(72) Inventors: COHAN, Howard [US/US]; 3712 Nw 52nd Street, Boca Raton, FL 33496 (US). PALONI, Chrissa [US/US]; 3712 Nw 52nd Street, Boca Raton, FL 33496 (US).

(74) Agent: CROSBY, Kevin, P.; BRINKLEY, MCNERNEY, MORGAN, SOLOMON & TATUM, LLP, 200 East Las Olas Blvd., 19th Floor, Fort Lauderdale, FL 33301 (US).

(81) Designated States (unless otherwise indicated, for every kind of national protection available): AE, AG, AL, AM,

AT, AU, AZ, BA, BB, BG, BR, BW, BY, BZ, CA, CH, CN, CO, CR, CU, CZ, DE, DK, DM, DZ, EC, EE, EG, ES, FI, GB, GD, GE, GH, GM, HR, HU, ID, IL, IN, IS, JP, KE, KG, KM, KN, KP, KR, KZ, LA, LC, LK, LR, LS, LT, LU, LV, LY, MA, MD, MG, MK, MN, MW, MX, MZ, NA, NG, NI, NO, NZ, OM, PG, PH, PL, PT, RO, RS, RU, SC, SD, SE, SG, SK, SL, SM, SY, TJ, TM, TN, TR, TT, TZ, UA, UG, US, UZ, VC, VN, ZA, ZM, ZW.

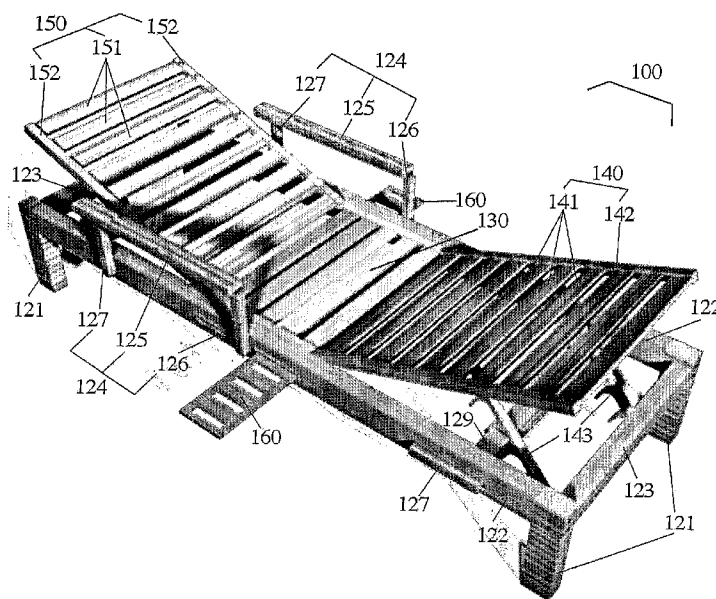
(84) Designated States (unless otherwise indicated, for every kind of regional protection available): ARIPO (BW, GH, GM, KE, LS, MW, MZ, NA, SD, SL, SZ, TZ, UG, ZM, ZW), Eurasian (AM, AZ, BY, KG, KZ, MD, RU, TJ, TM), European (AT, BE, BG, CH, CY, CZ, DE, DK, EE, ES, FI, FR, GB, GR, HU, IE, IS, IT, LT, LU, LV, MC, NL, PL, PT, RO, SE, SI, SK, TR), OAPI (BF, BJ, CF, CG, CI, CM, GA, GN, GQ, GW, ML, MR, NE, SN, TD, TG).

Published:  
— with international search report

(88) Date of publication of the international search report:  
27 December 2007

For two-letter codes and other abbreviations, refer to the "Guidance Notes on Codes and Abbreviations" appearing at the beginning of each regular issue of the PCT Gazette.

(54) Title: REVERSIBLE LOUNGE CHAIR



(57) Abstract: A lounge chair having a frame supported by legs, which may or may not have wheels incorporated therewith, and at least first and second adjustable backrest portions pivotally attached to the chair. When a sunbather wishes to sit on the lounge chair in an inclined position with his or her back supported, he or she inclines one of the backrest members which will position the sunbather in the most optimal position relative to the sun for sun bathing. As the sun passes overhead to a point which causes the sunbather's exposure to the sun to be diminished, the sunbather may merely drop the first backrest portion down to a horizontal or other desired position, adjust the second backrest portion to a position of inclination which suits the sunbather, and turn him or herself around 180° to lay in the opposite direction in the lounge chair.



WO 2006/138523 A3

**INTERNATIONAL SEARCH REPORT**

International application No.

PCT/US06/23421

**A. CLASSIFICATION OF SUBJECT MATTER**  
 IPC: **A47C 4/00( 2006.01)**

USPC: 297/31  
 According to International Patent Classification (IPC) or to both national classification and IPC

**B. FIELDS SEARCHED**

Minimum documentation searched (classification system followed by classification symbols)  
 U.S. : 297/31, 21, 22, 900, 377

Documentation searched other than minimum documentation to the extent that such documents are included in the fields searched

Electronic data base consulted during the international search (name of data base and, where practicable, search terms used)

**C. DOCUMENTS CONSIDERED TO BE RELEVANT**

Category *	Citation of document, with indication, where appropriate, of the relevant passages	Relevant to claim No.
X	US 6,594 A (LINIKIN) 17 July 1849 (17.07.1849)	1, 8-10, 15
X	US 793,428 A (EDGLEY) 27 June 1905 (27.06.1905)	1,8,10,15
X	US 2,216,317 A (KARISH) 01 October 1940 (01.10.1940)	1,8,10,15
X	US 5,823,617 A (SCHAFER) 20 October 1998 (20.10.1998)	1,8,10,15
X	US 6,213,555 B1 (SULPIZIO et al.) 10 April 2001 (10.04.2001)	1,8-10,15
---		-----
Y		1,5,10,14
Y	US 6,860,567 B1 (BAUER) 01 March 2005 (01.03.2005)	1,5,10,14

Further documents are listed in the continuation of Box C.  See patent family annex.

* Special categories of cited documents:	"T"	later document published after the international filing date or priority date and not in conflict with the application but cited to understand the principle or theory underlying the invention
"A" document defining the general state of the art which is not considered to be of particular relevance	"X"	document of particular relevance; the claimed invention cannot be considered novel or cannot be considered to involve an inventive step when the document is taken alone
"E" earlier application or patent published on or after the international filing date	"Y"	document of particular relevance; the claimed invention cannot be considered to involve an inventive step when the document is combined with one or more other such documents, such combination being obvious to a person skilled in the art
"L" document which may throw doubts on priority claim(s) or which is cited to establish the publication date of another citation or other special reason (as specified)	"&"	document member of the same patent family
"O" document referring to an oral disclosure, use, exhibition or other means		
"P" document published prior to the international filing date but later than the priority date claimed		

Date of the actual completion of the international search 26 September 2007 (26.09.2007)	Date of mailing of the international search report <b>02 OCT 2007</b>
---	--

Name and mailing address of the ISA/US Mail Stop PCT, Attn: ISA/US Commissioner for Patents P.O. Box 1450 Alexandria, Virginia 22313-1450 Facsimile No. (571) 273-3201	Authorized officer <i>for</i> Kenneth Dorner Telephone No. 571-272-3600
---	---