

(19) World Intellectual Property Organization  
International Bureau



(43) International Publication Date  
14 September 2006 (14.09.2006)

PCT

(10) International Publication Number  
**WO 2006/096589 A3**

- (51) International Patent Classification:  
*H01G 5/00* (2006.01)
- (21) International Application Number:  
PCT/US2006/007804
- (22) International Filing Date: 6 March 2006 (06.03.2006)
- (25) Filing Language: English
- (26) Publication Language: English
- (30) Priority Data:  
60/659,007 5 March 2005 (05.03.2005) US  
60/691,500 17 June 2005 (17.06.2005) US
- (71) Applicant (for all designated States except US): **INNOVATION ENGINEERING LLC** [US/US]; 130 Gaither Drive, Suite 108, Mount Laurel, New Jersey 08054-1715 (US).
- (72) Inventor; and
- (75) Inventor/Applicant (for US only): **BHUTTA, Imran Amed** [US/US]; 1605 Stokes Road, Mount Laurel, New Jersey 08054 (US).
- (74) Agents: **HELMSSEN, Joseph T.** et al.; PEPPER HAMILTON, 500 Grant Street, 50th Floor, Pittsburgh, Pennsylvania 15219 (US).
- (81) Designated States (unless otherwise indicated, for every kind of national protection available): AE, AG, AL, AM,

AT, AU, AZ, BA, BB, BG, BR, BW, BY, BZ, CA, CH, CN, CO, CR, CU, CZ, DE, DK, DM, DZ, EC, EE, EG, ES, FI, GB, GD, GE, GH, GM, HR, HU, ID, IL, IN, IS, JP, KE, KG, KM, KN, KP, KR, KZ, LC, LK, LR, LS, LT, LU, LV, LY, MA, MD, MG, MK, MN, MW, MX, MZ, NA, NG, NI, NO, NZ, OM, PG, PH, PL, PT, RO, RU, SC, SD, SE, SG, SK, SL, SM, SY, TJ, TM, TN, TR, TT, TZ, UA, UG, US, UZ, VC, VN, YU, ZA, ZM, ZW.

(84) Designated States (unless otherwise indicated, for every kind of regional protection available): ARIPO (BW, GH, GM, KE, LS, MW, MZ, NA, SD, SL, SZ, TZ, UG, ZM, ZW), Eurasian (AM, AZ, BY, KG, KZ, MD, RU, TJ, TM), European (AT, BE, BG, CH, CY, CZ, DE, DK, EE, ES, FI, FR, GB, GR, HU, IE, IS, IT, LT, LU, LV, MC, NL, PL, PT, RO, SE, SI, SK, TR), OAPI (BF, BJ, CF, CG, CI, CM, GA, GN, GQ, GW, ML, MR, NE, SN, TD, TG).

**Declarations under Rule 4.17:**

- as to applicant's entitlement to apply for and be granted a patent (Rule 4.17(ii))
- as to the applicant's entitlement to claim the priority of the earlier application (Rule 4.17(iii))

**Published:**

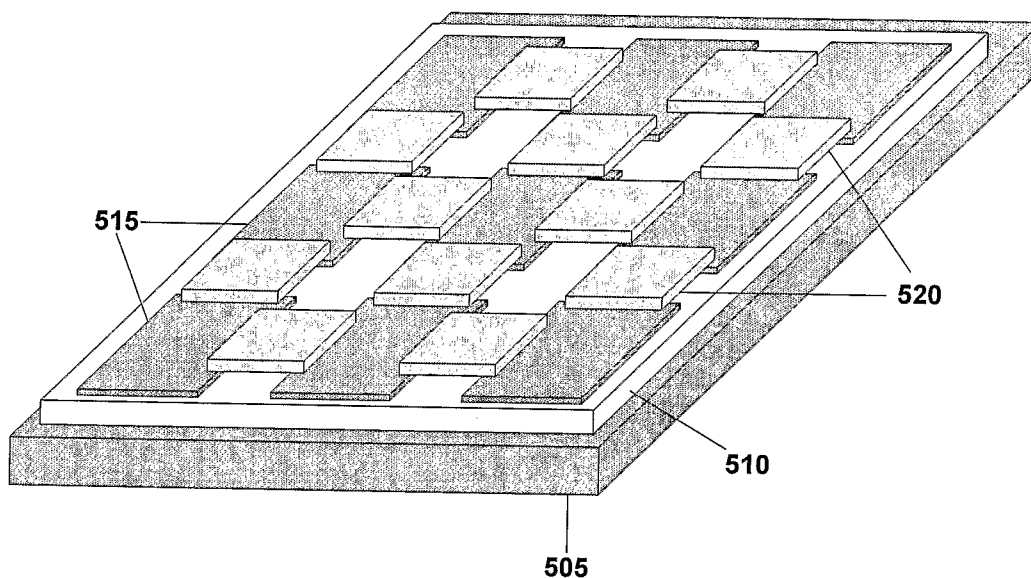
- with international search report

**(88) Date of publication of the international search report:**

12 April 2007

For two-letter codes and other abbreviations, refer to the "Guidance Notes on Codes and Abbreviations" appearing at the beginning of each regular issue of the PCT Gazette.

(54) Title: ELECTRONICALLY VARIABLE CAPACITOR ARRAY



(57) Abstract: A capacitor array may include a bottom electrode, a plurality of top electrodes, at least one dielectric medium and a plurality of switching mechanisms. Each switching mechanism may separably electronically connect two or more top electrodes. The at least one dielectric medium may include a plurality of discrete capacitors each in contact with a top electrode and the bottom electrode.

WO 2006/096589 A3

# INTERNATIONAL SEARCH REPORT

International application No.

PCT/US06/07804

**A. CLASSIFICATION OF SUBJECT MATTER**  
 IPC: **H01G 5/00( 2007.01)**

USPC: 257/595;361/277

According to International Patent Classification (IPC) or to both national classification and IPC

**B. FIELDS SEARCHED**

Minimum documentation searched (classification system followed by classification symbols)  
 U.S. : 257/595; 361/277,328,321.1,321.2,306.1,306.3; 341/150,172

Documentation searched other than minimum documentation to the extent that such documents are included in the fields searched  
 NONE

Electronic data base consulted during the international search (name of data base and, where practicable, search terms used)  
 Please See Continuation Sheet

**C. DOCUMENTS CONSIDERED TO BE RELEVANT**

Category *	Citation of document, with indication, where appropriate, of the relevant passages	Relevant to claim No.
X	US 5,905,398 A (TODSEN et al.) 18 May 1999 (18.05.1999), see entire document.	1-4,8-11,14-16,18,19
---		-----
Y		5-7,12,13,17
Y	US 6,532,143 B2 (FIGUEROA et al.) 11 March 2003 (11.03.2003), see entire document.	5-7,12,13,17
A	US 6,404,376 B1 (KATHOFF et al.) 11 June 2002 (11.06.2002), see entire document.	1-19
A	US 4,531,113 A (ABRAHAM) 23 July 1985 (23.07.1985), see entire document.	1-19

Further documents are listed in the continuation of Box C.       See patent family annex.

* Special categories of cited documents:	
"A" document defining the general state of the art which is not considered to be of particular relevance	"T" later document published after the international filing date or priority date and not in conflict with the application but cited to understand the principle or theory underlying the invention
"E" earlier application or patent published on or after the international filing date	"X" document of particular relevance; the claimed invention cannot be considered novel or cannot be considered to involve an inventive step when the document is taken alone
"L" document which may throw doubts on priority claim(s) or which is cited to establish the publication date of another citation or other special reason (as specified)	"Y" document of particular relevance; the claimed invention cannot be considered to involve an inventive step when the document is combined with one or more other such documents, such combination being obvious to a person skilled in the art
"O" document referring to an oral disclosure, use, exhibition or other means	
"P" document published prior to the international filing date but later than the priority date claimed	"&" document member of the same patent family

Date of the actual completion of the international search 14 December 2006 (14.12.2006)	Date of mailing of the international search report <b>09 JAN 2007</b>
Name and mailing address of the ISA/US Mail Stop PCT, Attn: ISA/US Commissioner for Patents P.O. Box 1450 Alexandria, Virginia 22313-1450 Facsimile No. (571) 273-3201	Authorized officer <b>Jose Dees</b> <i>Jose Dees</i> Telephone No. 571-272-1569

**INTERNATIONAL SEARCH REPORT**

International application No.

PCT/US06/07804

Continuation of B. FIELDS SEARCHED Item 3:

USPGPUB, USPAT, USOCR, FPRS, EPO, JPO, DERWENT, IBM\_TDB search notes: array adj capacitor and switch\$3 and dielectric, array adj capacitor.ti. and switch\$3 and dielectric, array adj "capacitor.ti.and" dielectric, array adj capacitor.ti. and dielectric, capacitor adj array.ti.and dielectric