



US00D830872S

(12) **United States Design Patent**
Jacob et al.

(10) **Patent No.:** **US D830,872 S**

(45) **Date of Patent:** **** Oct. 16, 2018**

(54) **DOORBELL**

OTHER PUBLICATIONS

(71) Applicant: **GOOGLE LLC**, Mountain View, CA (US)

Google, Notification of Registration, 004086437, Jul. 13, 2017, 6pgs.

(Continued)

(72) Inventors: **Rochus Emanuel Jacob**, San Francisco, CA (US); **Hae rim Jeong**, San Francisco, CA (US); **Adam Duckworth Mittleman**, Redwood City, CA (US); **Shih Ming Tsung**, New Taipei (TW); **Jacobi Colton Grillo**, San Francisco, CA (US); **Jason Evans Goulden**, Los Gatos, CA (US); **Étienne Bérubé**, San Francisco, CA (US); **Minjung Kim**, Sunnyvale, CA (US)

Primary Examiner — George D. Kirschbaum
Assistant Examiner — Joseph J Kukella
(74) *Attorney, Agent, or Firm* — Morgan, Lewis & Bockius LLP

(73) Assignee: **GOOGLE LLC**, Mountain View, CA (US)

(57) **CLAIM**

The ornamental design for a doorbell, as shown and described.

(**) Term: **15 Years**

(21) Appl. No.: **29/609,547**

DESCRIPTION

(22) Filed: **Jun. 30, 2017**

FIG. 1 is a front top perspective view of a doorbell showing our new design;

(30) **Foreign Application Priority Data**

Jan. 4, 2017 (EM) 003569169-0003

FIG. 2 is a rear bottom perspective view of the doorbell shown in FIG. 1;

(51) **LOC (11) Cl.** **10-05**

FIG. 3 is a front elevational view of the doorbell shown in FIG. 1.

(52) **U.S. Cl.**
USPC **D10/118.2**

FIG. 4 is a rear elevational view of the doorbell shown in FIG. 1;

(58) **Field of Classification Search**
USPC D10/104.1, 108, 116.1, 118, 118.2, 121, D10/122-126; D16/202, 203, 208, 209, D16/215; D13/171

FIG. 5 is a left-side elevational view of the doorbell shown in FIG. 1;

FIG. 6 is a right-side elevational view of the doorbell shown in FIG. 1;

(Continued)

FIG. 7 is a top plan view of the doorbell shown in FIG. 1; and,

(56) **References Cited**

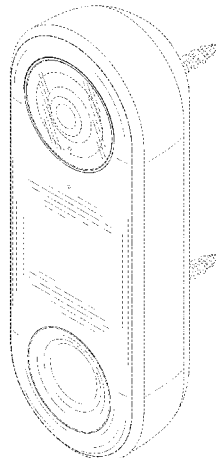
U.S. PATENT DOCUMENTS

4,967,046 A * 10/1990 Priesemuth H01H 23/20
200/315

FIG. 8 is bottom plan view of the doorbell shown in FIG. 1. In the drawings the long-short broken lines represent the boundaries of the claimed design, while the short-short broken lines depict environmental subject matter which forms no part of the claim. The broken lines form no part of the claimed design.

D339,543 S * 9/1993 Martin D10/108
(Continued)

1 Claim, 7 Drawing Sheets



(58) **Field of Classification Search**

CPC ... G08B 3/00; G08B 3/10; G08B 7/00; G08B
7/06

See application file for complete search history.

(56) **References Cited**

U.S. PATENT DOCUMENTS

D483,281 S *	12/2003	Cobigo	D10/104.1
D510,584 S *	10/2005	Tierney	D14/203.6
D548,749 S *	8/2007	Schmidt	D14/496
D690,757 S *	10/2013	Bart	D16/203
D764,958 S *	8/2016	Scalisi	D10/118.2
D765,530 S *	9/2016	Scalisi	D10/118.2
D789,363 S *	6/2017	Jentz	D14/218
D789,364 S *	6/2017	Jentz	D14/218
D789,365 S *	6/2017	Jentz	D14/218
D789,366 S *	6/2017	Jentz	D14/218
D789,367 S *	6/2017	Jentz	D14/218
D793,268 S *	8/2017	Ye	D10/118.2
D795,109 S *	8/2017	Olodort	D10/104.1
D800,201 S *	10/2017	Song	D16/202
D805,570 S *	12/2017	Shi	D16/202
D806,154 S *	12/2017	Shi	D16/202

OTHER PUBLICATIONS

Google, Patent Certificate for Design, Certificate No. 4493940,
Patent No. ZL201730288012.3, Jan. 30, 2018, 1 pg.

* cited by examiner

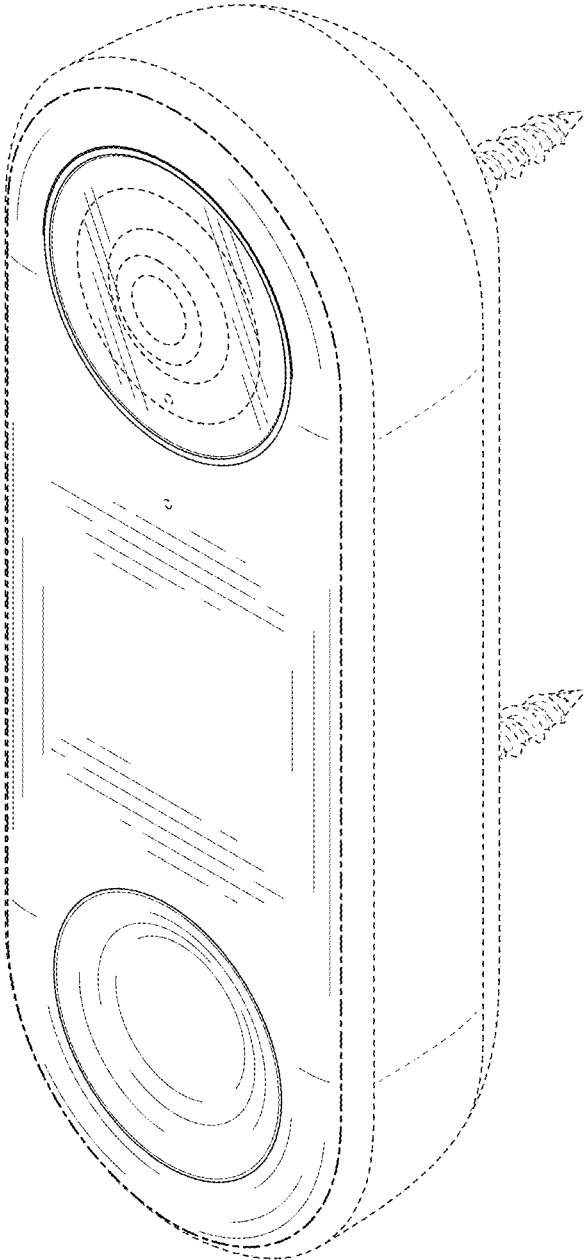


FIG. 1

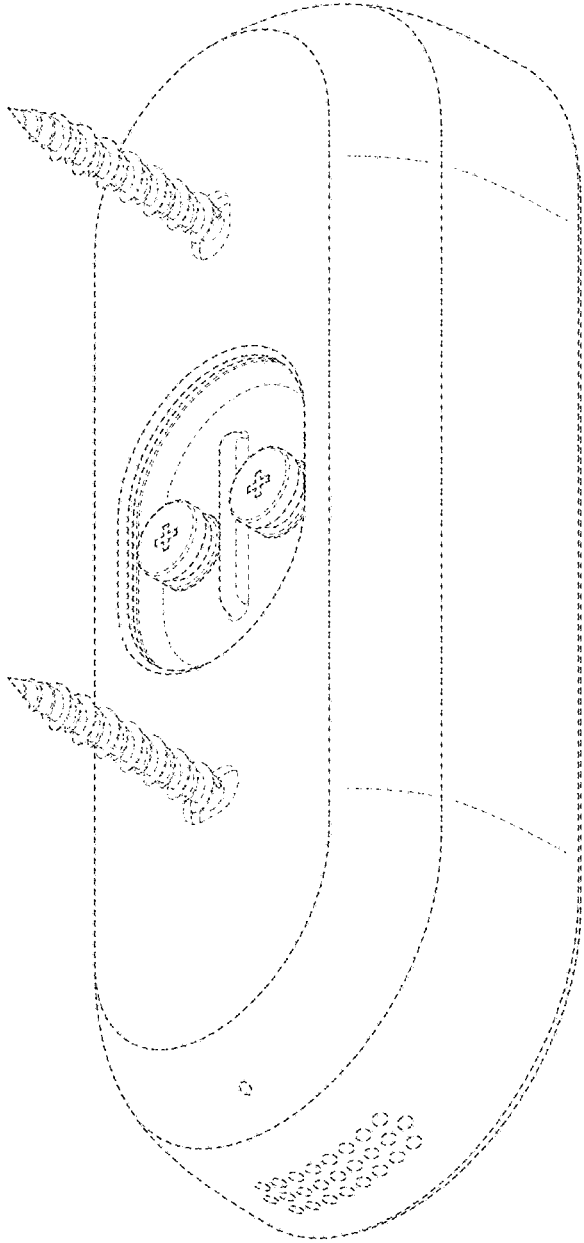


FIG. 2

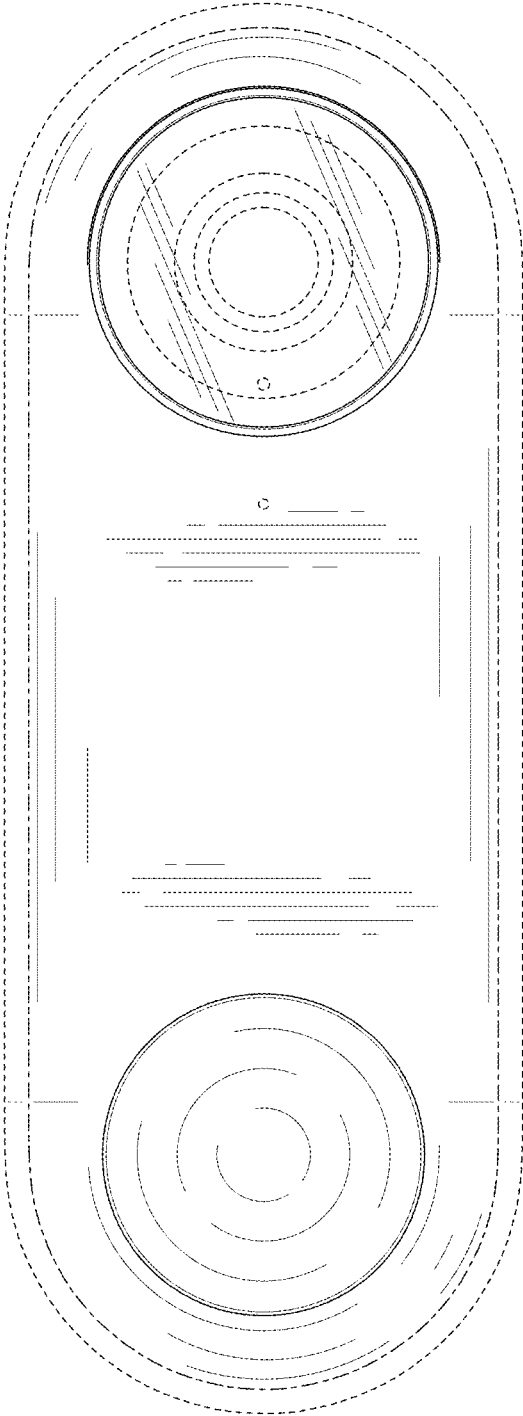


FIG. 3

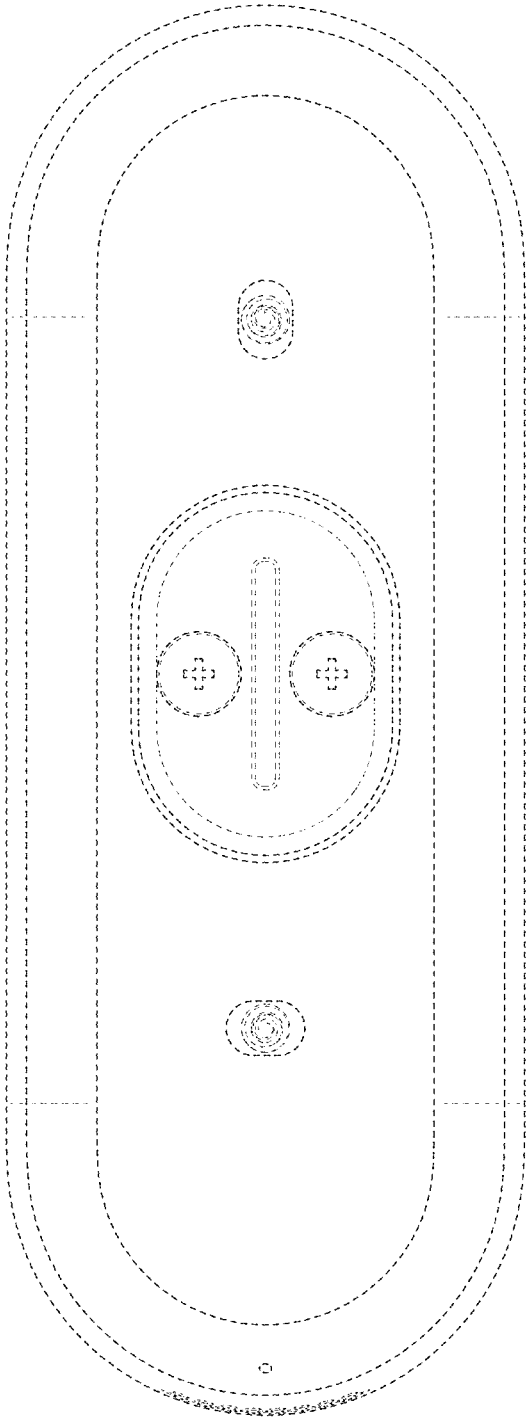


FIG. 4

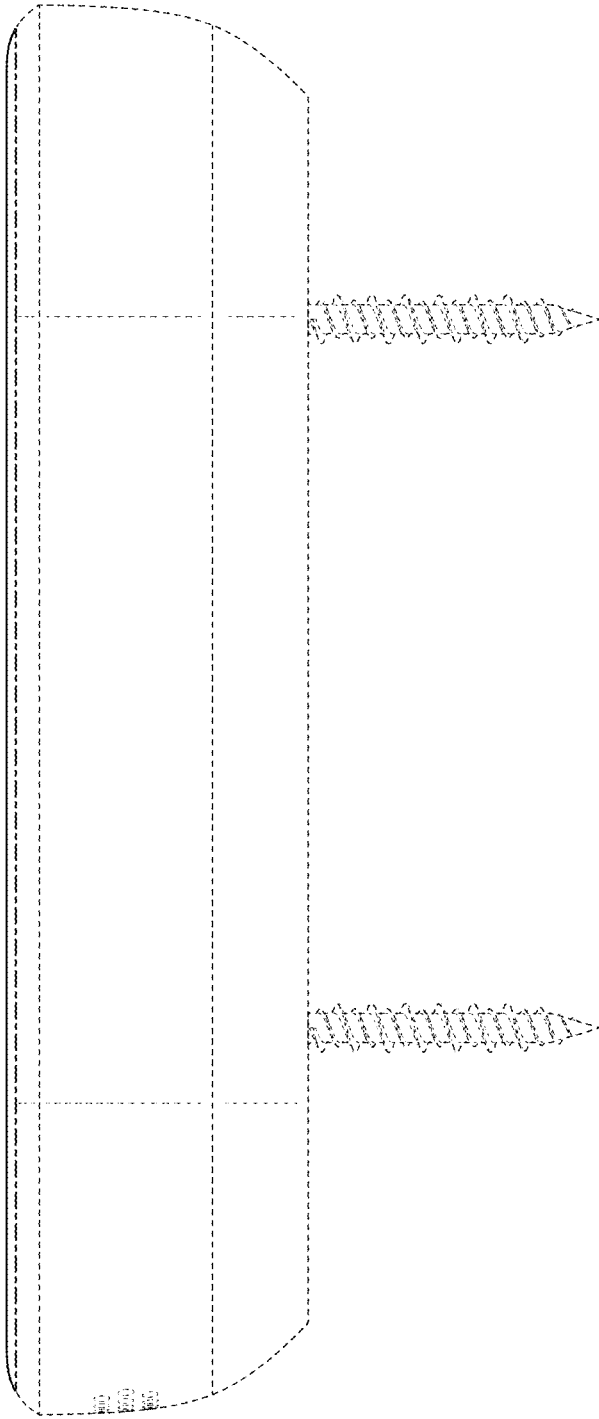


FIG. 5

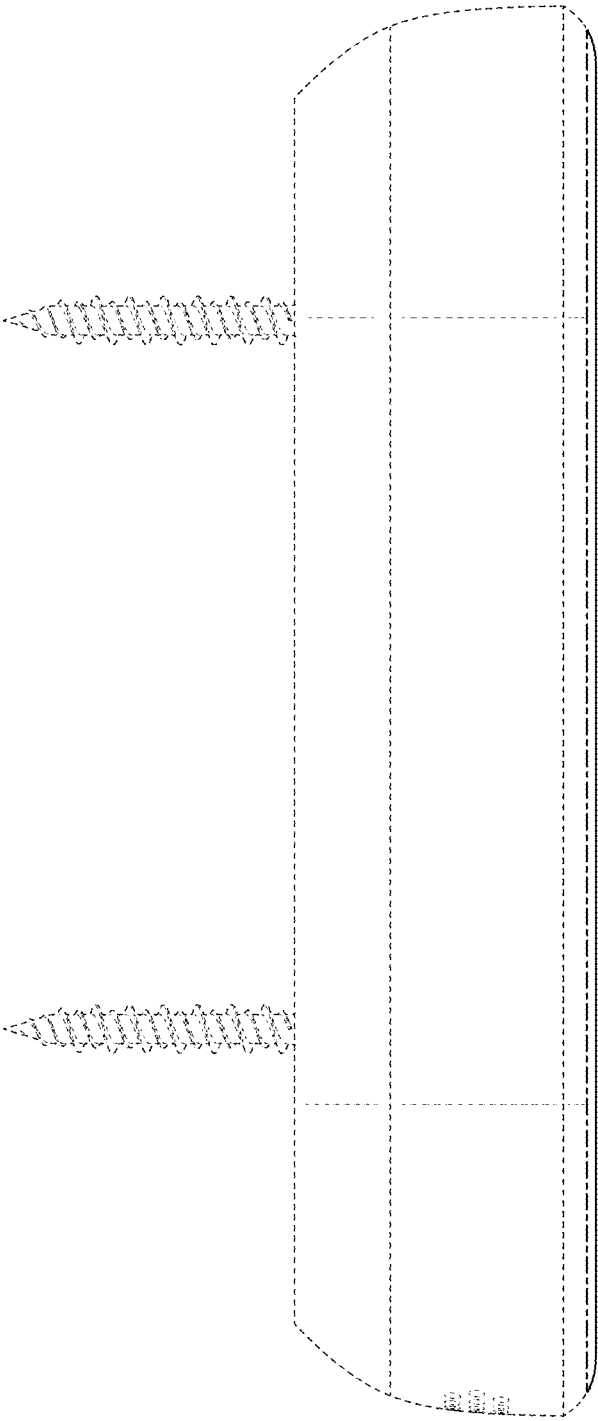


FIG. 6

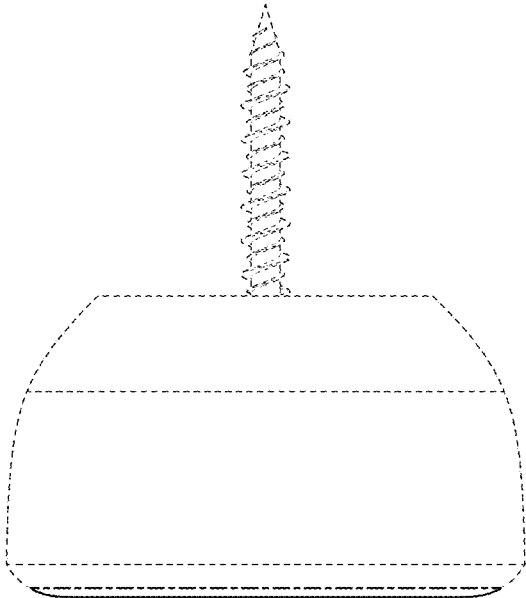


FIG. 7

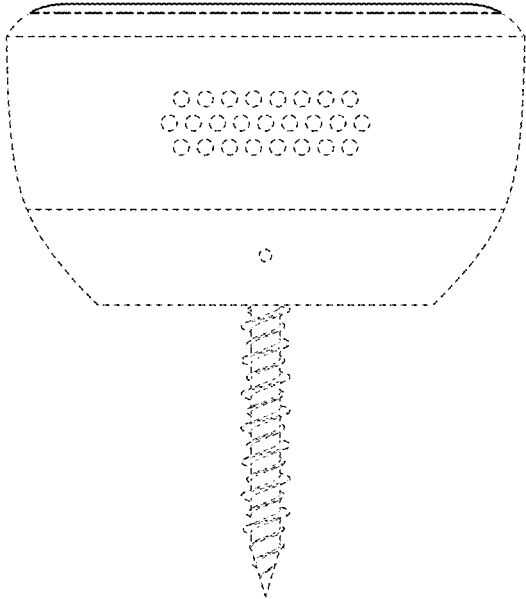


FIG. 8