

(19) World Intellectual Property Organization
International Bureau



(43) International Publication Date
7 May 2009 (07.05.2009)

PCT

(10) International Publication Number
WO 2009/057916 A3

(51) International Patent Classification:
H02K 57/00 (2006.01)

(21) International Application Number:
PCT/KR2008/006291

(22) International Filing Date: 24 October 2008 (24.10.2008)

(25) Filing Language: Korean

(26) Publication Language: English

(30) Priority Data:
10-2007-0108905 29 October 2007 (29.10.2007) KR

(71) Applicant and

(72) Inventor: AN, Jong-suk [KR/KR]; 152-31 Sintan-jin-dong, Daedeok-gu, Daejeon 306-815 (KR).

(74) Agents: KANG, Kyung Chan et al.; K2B International Patent And Law Office, #303 Soohyup Bldg, 917 Dunsan-dong, Seo-Gu, Daejeon 302-828 (KR).

(81) Designated States (unless otherwise indicated, for every kind of national protection available): AE, AG, AL, AM,

AO, AT, AU, AZ, BA, BB, BG, BH, BR, BW, BY, BZ, CA, CH, CN, CO, CR, CU, CZ, DE, DK, DM, DO, DZ, EC, EE, EG, ES, FI, GB, GD, GE, GH, GM, GT, HN, HR, HU, ID, IL, IN, IS, JP, KE, KG, KM, KN, KP, KZ, LA, LC, LK, LR, LS, LT, LU, LY, MA, MD, ME, MG, MK, MN, MW, MX, MY, MZ, NA, NG, NI, NO, NZ, OM, PG, PH, PL, PT, RO, RS, RU, SC, SD, SE, SG, SK, SL, SM, ST, SV, SY, TJ, TM, TN, TR, TT, TZ, UA, UG, US, UZ, VC, VN, ZA, ZM, ZW.

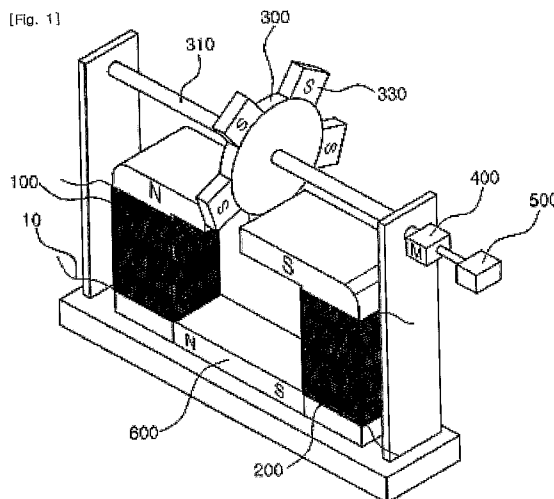
(84) Designated States (unless otherwise indicated, for every kind of regional protection available): ARIPO (BW, GH, GM, KE, LS, MW, MZ, NA, SD, SL, SZ, TZ, UG, ZM, ZW), Eurasian (AM, AZ, BY, KG, KZ, MD, RU, TJ, TM), European (AT, BE, BG, CH, CY, CZ, DE, DK, EE, ES, FI, FR, GB, GR, HR, HU, IE, IS, IT, LT, LU, LV, MC, MT, NL, NO, PL, PT, RO, SE, SI, SK, TR), OAPI (BF, BJ, CF, CG, CI, CM, GA, GN, GQ, GW, ML, MR, NE, SN, TD, TG).

Published:

- with international search report
- before the expiration of the time limit for amending the claims and to be republished in the event of receipt of amendments

(88) Date of publication of the international search report:
25 June 2009

(54) Title: CONSTRUCTION DEVICE OF GENERATOR HAVE TO SWITCHING MAGNETIC FLUX.



(57) Abstract: Disclosed is a magnetic flux switching type electric generator using a shielding member as a permanent magnet in that a magnet is fixed and a shielding member is formed at a passing portion of the magnetic flux, so that the magnetic flux is repeatedly opened and blocked through a continuous revolution or a repeated motion of the shielding member to generate induced electricity, whereby the amount of generation of electric power can be more and more increased. The magnetic flux switching type electric generator comprises: a pair of coil cores arranged on both sides thereof and having coils wound thereon respectively; a magnet connected to the pair of coil cores having the wound coils and allowing the coil cores to be polarized as a north pole and a south pole respectively; and a shielding member formed at a passing portion of the magnetic flux between the pair of the coil cores having the coils arranged on both sides thereof, wherein the magnetic flux is repeatedly opened and blocked through a repeated motion of the shielding member to bring about a change of a magnetic field, whereby generating induced electricity.



WO 2009/057916 A3

A. CLASSIFICATION OF SUBJECT MATTER**H02K 57/00(2006.01)i**

According to International Patent Classification (IPC) or to both national classification and IPC

B. FIELDS SEARCHED

Minimum documentation searched (classification system followed by classification symbols)

IPC 8: H02K 1/02, 1/06, 16/02, 21/42, 53/00, 57/00, H02N 11/00

Documentation searched other than minimum documentation to the extent that such documents are included in the fields searched

Korean Utility models and applications for Utility Models since 1975

Japanese Utility models and applications for Utility Models since 1975

Electronic data base consulted during the international search (name of data base and, where practicable, search terms used)

eKIPASS(KIPO internal) "magnet", "coil", "shield"

C. DOCUMENTS CONSIDERED TO BE RELEVANT

| Category* | Citation of document, with indication, where appropriate, of the relevant passages | Relevant to claim No. |
|-----------|--|-----------------------|
| A | JP 2004-282855 A (ONO, HISAMI) 07 October 2004 See the abstract; figure 1 | 1-10 |
| A | JP 2001-045739 A (KURIYAMA, CHIAKI) 16 February 2001 See the abstract; figure 1 | 1-10 |
| A | JP 2002-034214 A (SEIKO EPSON CORP.) 31 January 2002 See the abstract; figure 3 | 1-10 |

 Further documents are listed in the continuation of Box C. See patent family annex.

* Special categories of cited documents:

"A" document defining the general state of the art which is not considered to be of particular relevance

"E" earlier application or patent but published on or after the international filing date

"L" document which may throw doubts on priority claim(s) or which is cited to establish the publication date of citation or other special reason (as specified)

"O" document referring to an oral disclosure, use, exhibition or other means

"P" document published prior to the international filing date but later than the priority date claimed

"T" later document published after the international filing date or priority date and not in conflict with the application but cited to understand the principle or theory underlying the invention

"X" document of particular relevance; the claimed invention cannot be considered novel or cannot be considered to involve an inventive step when the document is taken alone

"Y" document of particular relevance; the claimed invention cannot be considered to involve an inventive step when the document is combined with one or more other such documents, such combination being obvious to a person skilled in the art

"&" document member of the same patent family

Date of the actual completion of the international search

24 APRIL 2009 (24.04.2009)

Date of mailing of the international search report

24 APRIL 2009 (24.04.2009)

Name and mailing address of the ISA/KR

Korean Intellectual Property Office
Government Complex-Daejeon, 139 Seonsa-ro, Seo-
gu, Daejeon 302-701, Republic of Korea

Facsimile No. 82-42-472-7140

Authorized officer

HAN, SANG IL

Telephone No. 82-42-481-8185



INTERNATIONAL SEARCH REPORT

Information on patent family members

International application No.

PCT/KR2008/006291

| Patent document cited in search report | Publication date | Patent family member(s) | Publication date |
|---|---------------------|----------------------------|---------------------|
| JP 2004-282855 A | 07.10.2004 | None | |
| JP 2001-045739 A | 16.02.2001 | None | |
| JP 2002-034214 A | 31.01.2002 | None | |