

(19) World Intellectual Property Organization  
International Bureau



(43) International Publication Date  
30 June 2005 (30.06.2005)

PCT

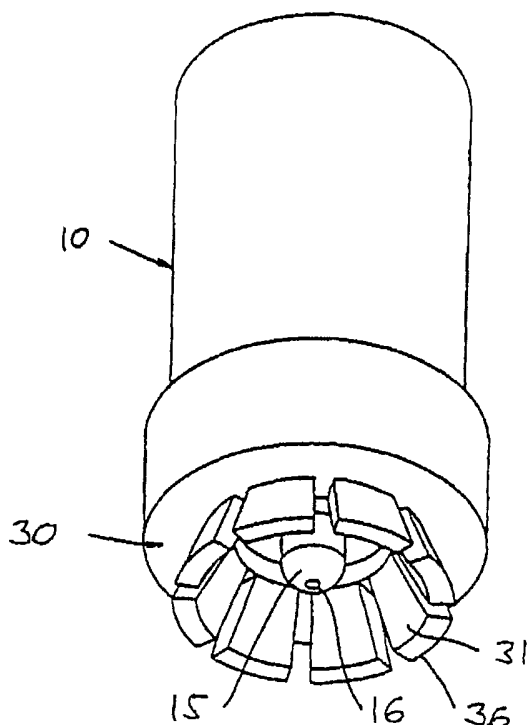
(10) International Publication Number  
WO 2005/058393 A3

- (51) International Patent Classification<sup>7</sup>: A61M 5/30, 5/42
- (21) International Application Number: PCT/DK2004/000874
- (22) International Filing Date: 16 December 2004 (16.12.2004)
- (25) Filing Language: English
- (26) Publication Language: English
- (30) Priority Data: PA 2003 01872 18 December 2003 (18.12.2003) DK
- (71) Applicant (for all designated States except US): NOVO NORDISK A/S [DK/DK]; Novo Allé, DK-2880 Bagsværd (DK).
- (72) Inventor; and
- (75) Inventor/Applicant (for US only): HANSEN, Torben, Strøm [DK/DK]; Skydebanegade 9, 4.th, DK-1709 København (DK).
- (74) Common Representative: NOVO NORDISK A/S; Corporate Patents, Novo Allé, DK-2880 Bagsværd (DK).
- (81) Designated States (unless otherwise indicated, for every kind of national protection available): AE, AG, AL, AM, AT, AU, AZ, BA, BB, BG, BR, BW, BY, BZ, CA, CH, CN, CO, CR, CU, CZ, DE, DK, DM, DZ, EC, EE, EG, ES, FI, GB, GD, GE, GH, GM, HR, HU, ID, IL, IN, IS, JP, KE, KG, KP, KR, KZ, LC, LK, LR, LS, LT, LU, LV, MA, MD, MG, MK, MN, MW, MX, MZ, NA, NI, NO, NZ, OM, PG, PH, PL, PT, RO, RU, SC, SD, SE, SG, SK, SL, SY, TJ, TM, TN, TR, TT, TZ, UA, UG, US, UZ, VC, VN, YU, ZA, ZM, ZW.
- (84) Designated States (unless otherwise indicated, for every kind of regional protection available): ARIPO (BW, GH, GM, KE, LS, MW, MZ, NA, SD, SL, SZ, TZ, UG, ZM, ZW), Eurasian (AM, AZ, BY, KG, KZ, MD, RU, TJ, TM), European (AT, BE, BG, CH, CY, CZ, DE, DK, EE, ES, FI, FR, GB, GR, HU, IE, IS, IT, LT, LU, MC, NL, PL, PT, RO, SE, SI, SK, TR), OAPI (BF, BJ, CF, CG, CI, CM, GA, GN, GQ, GW, ML, MR, NE, SN, TD, TG).

Published:  
— with international search report

[Continued on next page]

(54) Title: NOZZLE DEVICE WITH SKIN STRETCHING MEANS



(57) Abstract: The invention relates to a nozzle device adapted for placement against a skin surface of a subject, the nozzle device providing a means for stretching the skin, the nozzle device being suitable for use in jet injection. More specifically, the skin stretching means is arranged circumferentially relative to a nozzle, the skin stretching means having an initial first configuration corresponding to an initial state in which the skin stretching means is adapted to be placed against a skin surface of the subject, the skin stretching means being moveable to a second configuration, wherein movement of the skin stretching means to the second configuration after the skin stretching means has been placed against the skin of the subject results in the skin being stretched relative to the outlet nozzle.

WO 2005/058393 A3



— *before the expiration of the time limit for amending the claims and to be republished in the event of receipt of amendments*

*For two-letter codes and other abbreviations, refer to the "Guidance Notes on Codes and Abbreviations" appearing at the beginning of each regular issue of the PCT Gazette.*

**(88) Date of publication of the international search report:**  
4 August 2005

# INTERNATIONAL SEARCH REPORT

International Application No  
PCT/DK2004/000874

**A. CLASSIFICATION OF SUBJECT MATTER**  
IPC 7 A61M5/30 A61M5/42

According to International Patent Classification (IPC) or to both national classification and IPC

**B. FIELDS SEARCHED**

Minimum documentation searched (classification system followed by classification symbols)  
IPC 7 A61M

Documentation searched other than minimum documentation to the extent that such documents are included in the fields searched

Electronic data base consulted during the international search (name of data base and, where practical, search terms used)

EPO-Internal

**C. DOCUMENTS CONSIDERED TO BE RELEVANT**

Category °	Citation of document, with indication, where appropriate, of the relevant passages	Relevant to claim No.
Y	WO 03/000320 A (DENNE, WILLIAM) 3 January 2003 (2003-01-03) cited in the application page 5, line 33 - page 6, line 22 figures 2a-2d	1,7,8, 11-16
A	-----	9,10
Y	WO 01/93931 A (BECTON, DICKINSON AND COMPANY; PALMER, PHYLLIS, J) 13 December 2001 (2001-12-13) page 11, line 18 - line 20 page 13, line 10 - line 15 page 13, line 31 - line 32 figures 5-7,9	1,7,8, 11-16
A	-----	4-6,9
	----- -/--	

Further documents are listed in the continuation of box C.

Patent family members are listed in annex.

° Special categories of cited documents :

- \*A\* document defining the general state of the art which is not considered to be of particular relevance
- \*E\* earlier document but published on or after the international filing date
- \*L\* document which may throw doubts on priority claim(s) or which is cited to establish the publication date of another citation or other special reason (as specified)
- \*O\* document referring to an oral disclosure, use, exhibition or other means
- \*P\* document published prior to the international filing date but later than the priority date claimed

- \*T\* later document published after the international filing date or priority date and not in conflict with the application but cited to understand the principle or theory underlying the invention
- \*X\* document of particular relevance; the claimed invention cannot be considered novel or cannot be considered to involve an inventive step when the document is taken alone
- \*Y\* document of particular relevance; the claimed invention cannot be considered to involve an inventive step when the document is combined with one or more other such documents, such combination being obvious to a person skilled in the art.
- \*&\* document member of the same patent family

Date of the actual completion of the international search

31 May 2005

Date of mailing of the international search report

10/06/2005

Name and mailing address of the ISA  
European Patent Office, P.B. 5818 Patentlaan 2  
NL - 2280 HV Rijswijk  
Tel. (+31-70) 340-2040, Tx. 31 651 epo nl,  
Fax: (+31-70) 340-3016

Authorized officer

Sedy, R

## INTERNATIONAL SEARCH REPORT

International Application No  
PCT/DK2004/000874

C.(Continuation) DOCUMENTS CONSIDERED TO BE RELEVANT		
Category °	Citation of document, with indication, where appropriate, of the relevant passages	Relevant to claim No.
A	WO 01/41863 A (ALZA CORPORATION) 14 June 2001 (2001-06-14) page 19, line 14 - line 16 figure 23 -----	2,3
A	WO 01/89613 A (PHARMACIA AB; HJERTMAN, BIRGER; FRIDHOLM, JONAS) 29 November 2001 (2001-11-29) page 12, line 7 - line 11 page 14, line 1 - line 5 figures 5,7A -----	17
A	US 6 645 169 B1 (SLATE JOHN B ET AL) 11 November 2003 (2003-11-11) paragraph '0027!; figure 4 -----	17

# INTERNATIONAL SEARCH REPORT

national application No.  
PCT/DK2004/000874

## Box II Observations where certain claims were found unsearchable (Continuation of item 2 of first sheet)

This International Search Report has not been established in respect of certain claims under Article 17(2)(a) for the following reasons:

1.  Claims Nos.: 18,19  
because they relate to subject matter not required to be searched by this Authority, namely:  
Rule 39.1(iv) PCT - Method for treatment of the human or animal body by therapy
2.  Claims Nos.:  
because they relate to parts of the International Application that do not comply with the prescribed requirements to such an extent that no meaningful International Search can be carried out, specifically:
3.  Claims Nos.:  
because they are dependent claims and are not drafted in accordance with the second and third sentences of Rule 6.4(a).

## Box III Observations where unity of invention is lacking (Continuation of item 3 of first sheet)

This International Searching Authority found multiple inventions in this international application, as follows:

1.  As all required additional search fees were timely paid by the applicant, this International Search Report covers all searchable claims.
2.  As all searchable claims could be searched without effort justifying an additional fee, this Authority did not invite payment of any additional fee.
3.  As only some of the required additional search fees were timely paid by the applicant, this International Search Report covers only those claims for which fees were paid, specifically claims Nos.:
4.  No required additional search fees were timely paid by the applicant. Consequently, this International Search Report is restricted to the invention first mentioned in the claims; it is covered by claims Nos.:

Remark on Protest

- The additional search fees were accompanied by the applicant's protest.
- No protest accompanied the payment of additional search fees.

**INTERNATIONAL SEARCH REPORT**  
Information on patent family members

International Application No  
PCT/DK2004/000874

Patent document cited in search report		Publication date	Patent family member(s)	Publication date
WO 03000320	A	03-01-2003	WO 03000320 A1	03-01-2003
WO 0193931	A	13-12-2001	US 6537242 B1 AU 7526001 A EP 1289588 A1 JP 2003534881 T WO 0193931 A1	25-03-2003 17-12-2001 12-03-2003 25-11-2003 13-12-2001
WO 0141863	A	14-06-2001	AU 2074301 A EP 1239916 A1 WO 0141863 A1 US 2002032415 A1 US 2005085766 A1	18-06-2001 18-09-2002 14-06-2001 14-03-2002 21-04-2005
WO 0189613	A	29-11-2001	AU 6282901 A BR 0110950 A CA 2408132 A1 CN 1507360 A CZ 20023823 A3 EA 4185 B1 EP 1284765 A1 HU 0302360 A2 JP 2003534061 T NO 20025580 A NZ 522973 A PL 360180 A1 WO 0189613 A1 TW 514539 B US 2002007142 A1	03-12-2001 10-06-2003 29-11-2001 23-06-2004 12-03-2003 26-02-2004 26-02-2003 28-10-2003 18-11-2003 22-01-2003 30-04-2004 06-09-2004 29-11-2001 21-12-2002 17-01-2002
US 6645169	B1	11-11-2003	US 6406456 B1 EP 1190728 A2 JP 2002143302 A EP 1161961 A1 JP 2002095748 A	18-06-2002 27-03-2002 21-05-2002 12-12-2001 02-04-2002