



- (51) **International Patent Classification:**  
*G06K 13/08* (2006.01)
- (21) **International Application Number:**  
PCT/NL2010/050147
- (22) **International Filing Date:**  
22 March 2010 (22.03.2010)
- (25) **Filing Language:** English
- (26) **Publication Language:** English
- (30) **Priority Data:**  
NL2002677 27 March 2009 (27.03.2009) NL  
NL2003394 25 August 2009 (25.08.2009) NL
- (71) **Applicant (for all designated States except US):** **CARD SWIPE PROTECTION TECHNOLOGY B.V.** [NL/NL]; Laan van Puntenburg 100 (IV 6K20), NL-3511 ER Utrecht (NL).
- (72) **Inventors; and**
- (75) **Inventors/Applicants (for US only):** **VAN DEN BOGART, Leonardus, Antonius, Maria** [NL/NL]; Van Puntenburglaan 100, NL-3511 ER Utrecht (NL). **GOEDEE, Cornelis, Johannes** [NL/NL]; Laan van Puntenburg 100, NL-3511 ER Utrecht (NL). **JONGH, DE, Marina, Hele-**
- na** [NL/NL]; Laan van Puntenburg 100, NL-3511 ER Utrecht (NL).
- (74) **Agent:** **HOEBEN, Ferdinand, Egon**; Postbus 13136, NL-3507 LC Utrecht (NL).
- (81) **Designated States (unless otherwise indicated, for every kind of national protection available):** AE, AG, AL, AM, AO, AT, AU, AZ, BA, BB, BG, BH, BR, BW, BY, BZ, CA, CH, CL, CN, CO, CR, CU, CZ, DE, DK, DM, DO, DZ, EC, EE, EG, ES, FI, GB, GD, GE, GH, GM, GT, HN, HR, HU, ID, IL, IN, IS, JP, KE, KG, KM, KN, KP, KR, KZ, LA, LC, LK, LR, LS, LT, LU, LY, MA, MD, ME, MG, MK, MN, MW, MX, MY, MZ, NA, NG, NI, NO, NZ, OM, PE, PG, PH, PL, PT, RO, RS, RU, SC, SD, SE, SG, SK, SL, SM, ST, SV, SY, TH, TJ, TM, TN, TR, TT, TZ, UA, UG, US, UZ, VC, VN, ZA, ZM, ZW.
- (84) **Designated States (unless otherwise indicated, for every kind of regional protection available):** ARIPO (BW, GH, GM, KE, LS, MW, MZ, NA, SD, SL, SZ, TZ, UG, ZM, ZW), Eurasian (AM, AZ, BY, KG, KZ, MD, RU, TJ, TM), European (AT, BE, BG, CH, CY, CZ, DE, DK, EE, ES, FI, FR, GB, GR, HR, HU, IE, IS, IT, LT, LU, LV, MC, MK, MT, NL, NO, PL, PT, RO, SE, SI, SK, SM,

[Continued on next page]

(54) **Title:** CARD FEED UNIT, READ OUT UNIT, ATM AND METHOD

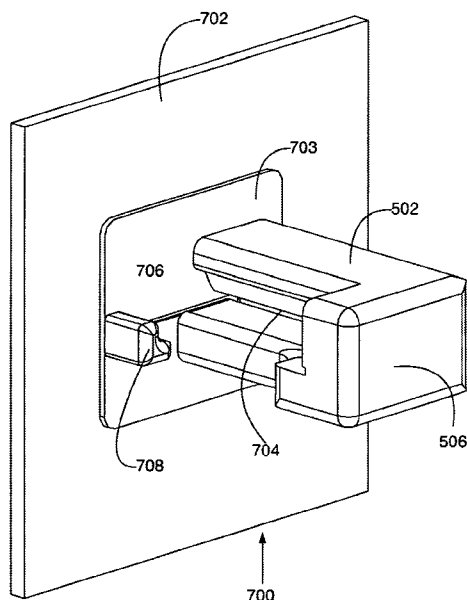


Fig. 5

(57) **Abstract:** The present invention relates to a Card feed unit for transferring a data carrier of card information of a multi-services cards, such as a bank card or credit card, to a reading head of a reading unit for at least reading out of card information, the card feed unit comprising: - attachment means for attaching the card feed unit in an arrangement respective of the reading head that is suitable for transporting the data carrier of the card in the direction of the meeting head, - a receipt position for receipt of the card, - a transfer assembly for transferring the card by means of the transfer assembly in the direction of the reading head, in which: - the card feed unit is suitable for, during insertion of the card in the receipt position, receiving the card in the receipt position by means of an insertion operation with a direction of movement that, at least as seen in one direction, is substantially perpendicular to the readout direction of the card for preventing that the card is readable during the insertion operation.





TR), OAPI (BF, BJ, CF, CG, CI, CM, GA, GN, GQ, GW, ML, MR, NE, SN, TD, TG).

— *before the expiration of the time limit for amending the claims and to be republished in the event of receipt of amendments (Rule 48.2(h))*

**Published:**

— *with international search report (Art. 21(3))*

**(88) Date of publication of the international search report:**

23 December 2010

# INTERNATIONAL SEARCH REPORT

International application No  
PCT/NL2010/050147

<b>A. CLASSIFICATION OF SUBJECT MATTER</b> INV. G06K13/08 ADD.		
According to International Patent Classification (IPC) or to both national classification and IPC		
<b>B. FIELDS SEARCHED</b>		
Minimum documentation searched (classification system followed by classification symbols) G06K		
Documentation searched other than minimum documentation to the extent that such documents are included in the fields searched		
Electronic data base consulted during the international search (name of data base and, where practical, search terms used) EPO-Internal, WPI Data		
<b>C. DOCUMENTS CONSIDERED TO BE RELEVANT</b>		
Category*	Citation of document, with indication, where appropriate, of the relevant passages	Relevant to claim No.
X	US 2004/173677 A1 (LUCAS BENNIE E [US] ET AL) 9 September 2004 (2004-09-09) paragraph [0027] - paragraph [0032]; figures 1-3 -----	1-24
A	WO 01/84486 A (NCR INT INC [US]; MAY DAVID CHARLES CARRINGTON [GB]) 8 November 2001 (2001-11-08) the whole document -----	1,23,24
A	US 2004/026507 A1 (NAGATA SHIGEYUKI [JP] ET AL) 12 February 2004 (2004-02-12) the whole document -----	1,23,24
<input type="checkbox"/> Further documents are listed in the continuation of Box C. <span style="margin-left: 100px;"><input checked="" type="checkbox"/> See patent family annex.</span>		
* Special categories of cited documents :		
"A" document defining the general state of the art which is not considered to be of particular relevance "E" earlier document but published on or after the international filing date "L" document which may throw doubts on priority claim(s) or which is cited to establish the publication date of another citation or other special reason (as specified) "O" document referring to an oral disclosure, use, exhibition or other means "P" document published prior to the international filing date but later than the priority date claimed	"T" later document published after the international filing date or priority date and not in conflict with the application but cited to understand the principle or theory underlying the invention "X" document of particular relevance; the claimed invention cannot be considered novel or cannot be considered to involve an inventive step when the document is taken alone "Y" document of particular relevance; the claimed invention cannot be considered to involve an inventive step when the document is combined with one or more other such documents, such combination being obvious to a person skilled in the art. "&" document member of the same patent family	
Date of the actual completion of the international search  <p style="text-align: center; font-weight: bold;">28 October 2010</p>	Date of mailing of the international search report  <p style="text-align: center; font-weight: bold;">05/11/2010</p>	
Name and mailing address of the ISA/ European Patent Office, P.B. 5818 Patentlaan 2 NL - 2280 HV Rijswijk Tel. (+31-70) 340-2040, Fax: (+31-70) 340-3016	Authorized officer  <p style="text-align: center; font-weight: bold;">Degraeve, Alexis</p>	

**INTERNATIONAL SEARCH REPORT**

International application No  
PCT/NL2010/050147

Patent document cited in search report		Publication date	Patent family member(s)	Publication date
US 2004173677	A1	09-09-2004	US 2005023348 A1	03-02-2005
WO 0184486	A	08-11-2001	AU 4090501 A	12-11-2001
			DE 60116395 T2	03-08-2006
			EP 1410314 A1	21-04-2004
			ES 2252201 T3	16-05-2006
			GB 2362013 A	07-11-2001
			US 2001038036 A1	08-11-2001
US 2004026507	A1	12-02-2004	NONE	