

180,811

TWIN BAR TOWEL RACK

Joseph Schoenfeld, Santa Cruz, Calif.

Application November 23, 1956, Serial No. 43,910

Term of patent 14 years

(Cl. D4—3)

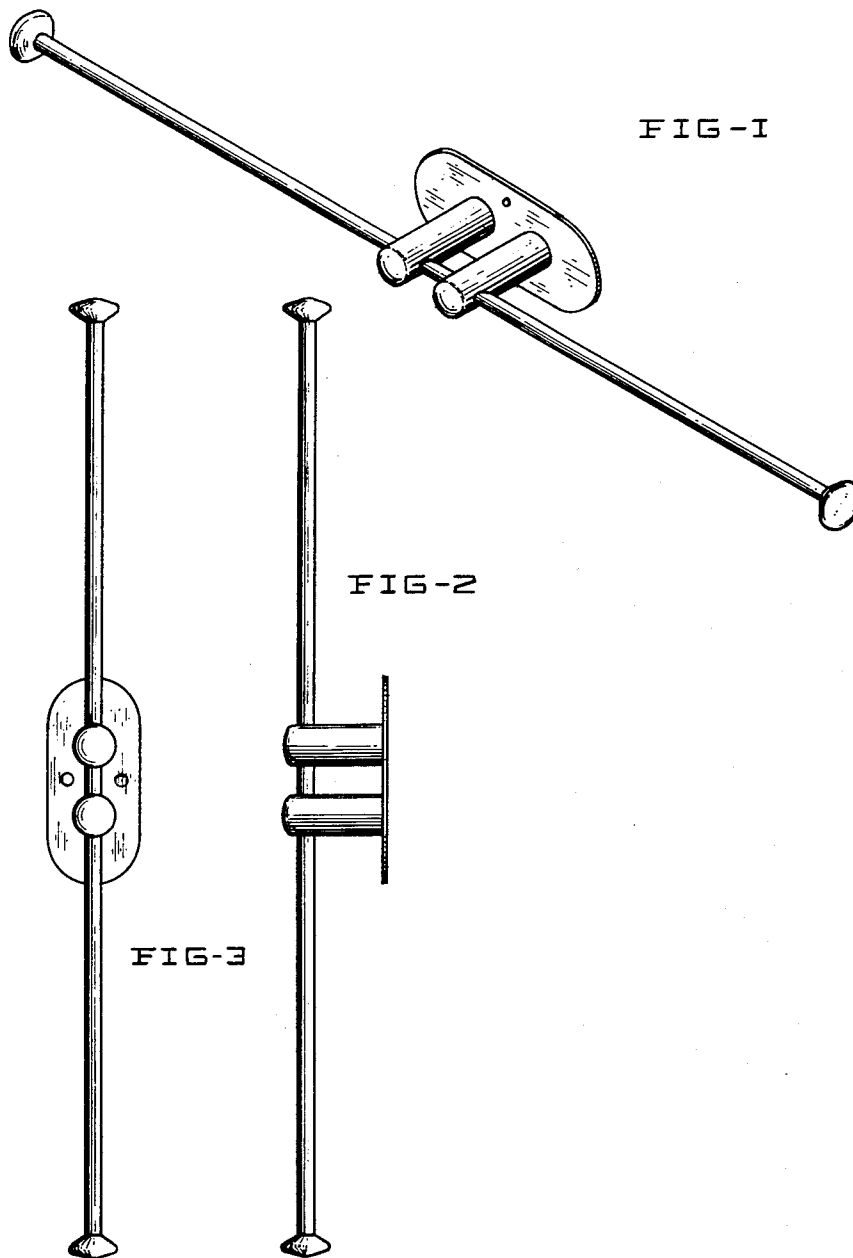


Figure 1 is a perspective view of a twin bar towel rack showing my new design;

Figure 2 is a top plan view thereof; and

Figure 3 is a front elevation thereof.

I claim:

The ornamental design for a twin bar towel rack, as shown.

References Cited in the file of this patent

UNITED STATES PATENTS

1,775,919 Starner Sept. 16, 1930