



(51) International Patent Classification:

A61N 1/372 (2006.01) A61N 1/362 (2006.01)
A61N 1/375 (2006.01) A61N 1/365 (2006.01)

(21) International Application Number:

PCT/US2018/063122

(22) International Filing Date:

29 November 2018 (29.11.2018)

(25) Filing Language:

English

(26) Publication Language:

English

(30) Priority Data:

62/593,662 01 December 2017 (01.12.2017) US

(71) Applicant: **CARDIAC PACEMAKERS, INC.** [US/US];
4100 Hamline Avenue North, St. Paul, Minnesota 55112 (US).

(72) Inventors: **STAHMANN, Jeffrey E.**; 4850 - 154th Lane NW, Ramsey, Minnesota 55303 (US). **MAILE, Keith R.**; 520 14th Street NW, New Brighton, Minnesota 55112 (US). **SIEJKO, Krzysztof Z.**; 9523 Kirkwood Way, Maple Grove, Minnesota 55369 (US). **SHUROS, Allan Charles**; 1121 Colette Place, St. Paul, Minnesota 55116 (US). **LINDER, William J.**; 2640 Kyle Avenue N., Golden Valley, Minnesota 55422 (US). **HAASL, Benjamin J.**; 9420 207th

Street, Forest Lake, Minnesota 55025 (US). **KOOP, Brendan Early**; 17529 Lever Street NE, Ham Lake, Minnesota 55304 (US). **KANE, Michael J.**; 1439 Summit Avenue, St. Paul, Minnesota 55105 (US).

(74) Agent: **TUFTE, Brian N.**; 100 South 5th Street, Suite 600, Minneapolis, Minnesota 55402 (US).

(81) Designated States (unless otherwise indicated, for every kind of national protection available): AE, AG, AL, AM, AO, AT, AU, AZ, BA, BB, BG, BH, BN, BR, BW, BY, BZ, CA, CH, CL, CN, CO, CR, CU, CZ, DE, DJ, DK, DM, DO, DZ, EC, EE, EG, ES, FI, GB, GD, GE, GH, GM, GT, HN, HR, HU, ID, IL, IN, IR, IS, JO, JP, KE, KG, KH, KN, KP, KR, KW, KZ, LA, LC, LK, LR, LS, LU, LY, MA, MD, ME, MG, MK, MN, MW, MX, MY, MZ, NA, NG, NI, NO, NZ, OM, PA, PE, PG, PH, PL, PT, QA, RO, RS, RU, RW, SA, SC, SD, SE, SG, SK, SL, SM, ST, SV, SY, TH, TJ, TM, TN, TR, TT, TZ, UA, UG, US, UZ, VC, VN, ZA, ZM, ZW.

(84) Designated States (unless otherwise indicated, for every kind of regional protection available): ARIPO (BW, GH, GM, KE, LR, LS, MW, MZ, NA, RW, SD, SL, ST, SZ, TZ, UG, ZM, ZW), Eurasian (AM, AZ, BY, KG, KZ, RU, TJ, TM), European (AL, AT, BE, BG, CH, CY, CZ, DE, DK, EE, ES, FI, FR, GB, GR, HR, HU, IE, IS, IT, LT, LU, LV, MC, MK, MT, NL, NO, PL, PT, RO, RS, SE, SI, SK, SM,

(54) Title: LEADLESS CARDIAC PACEMAKER WITH REVERSIONARY BEHAVIOR

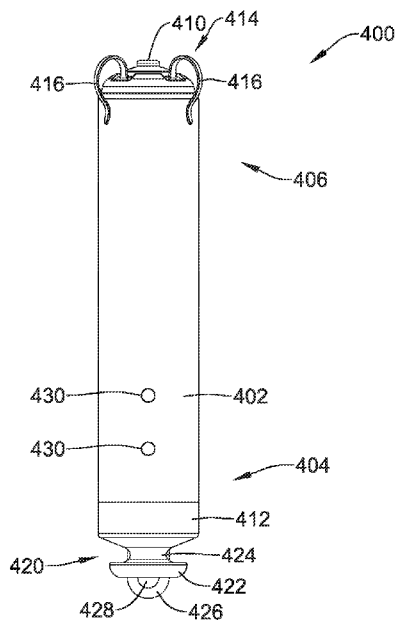


FIG. 8

(57) Abstract: A ventricularly implantable medical device that includes a sensing module that is configured to detect an atrial fiducial and identify an atrial contraction based at least in part on the detected atrial fiducial. Control circuitry in the implantable medical device is configured to deliver a ventricular pacing therapy to a patient's heart based at least in part on the identified atrial contraction, and can automatically switch or revert the ventricular pacing therapies on the fly.

WO 2019/108830 A1

TR), OAPI (BF, BJ, CF, CG, CI, CM, GA, GN, GQ, GW,
KM, ML, MR, NE, SN, TD, TG).

Published:

— *with international search report (Art. 21(3))*

LEADLESS CARDIAC PACEMAKER WITH REVERSIONARY BEHAVIOR**CROSS REFERENCE TO RELATED APPLICATIONS**

[0001] This application claims the benefit of U.S. Provisional Patent Application Serial No. 62/593,662 filed on December 1, 2017, the disclosure of which is incorporated herein by reference.

TECHNICAL FIELD

[0002] The present disclosure generally relates to implantable medical devices, and more particularly, to systems that use a leadless cardiac pacemaker for monitoring, pacing and/or defibrillating a patient's heart.

BACKGROUND

[0003] Implantable medical devices are commonly used today to monitor a patient and/or deliver therapy to a patient. For example, and in some instances, pacing devices are used to treat patients suffering from various heart conditions that may result in a reduced ability of the heart to deliver sufficient amounts of blood to a patient's body. Such heart conditions may lead to slow, rapid, irregular, and/or inefficient heart contractions. To help alleviate some of these conditions, various medical devices (e.g., pacemakers, defibrillators, etc.) can be implanted in a patient's body. Such devices may monitor and in some cases provide electrical stimulation (e.g. pacing, defibrillation, etc.) to the heart to help the heart operate in a more normal, efficient and/or safe manner. In some cases, it may be beneficial to detect cardiac events occurring in multiple chambers of the heart. In some cases, this may be used to enhance the effectiveness of the cardiac pacing therapy and/or may allow different types of cardiac pacing therapy to be delivered.

SUMMARY

[0004] This disclosure generally relates to implantable medical devices, and more particularly, to systems that use a leadless cardiac pacemaker for monitoring, pacing and/or defibrillating a patient's heart. In a first example, a leadless cardiac pacemaker (LCP) may be configured to sense cardiac activity and to deliver pacing therapy to a

patient's heart. The LCP may comprise a housing, a first electrode secured relative to the housing and exposed to the environment outside of the housing, a second electrode secured relative to the housing and responsive to the environment outside of the housing, a sensing module disposed within the housing and exposed to the environment outside of the housing, the sensing module configured to detect one or more atrial fiducials that are indicative of an atrial contraction, and a control module operatively coupled to the first electrode, the second electrode, and the sensing module. The control module may be configured to track the one or more atrial fiducials over a plurality of cardiac cycles and deliver a plurality of different ventricular pacing therapies to the patient's heart via the first electrode and the second electrode, wherein the control module selects which ventricular pacing therapy to deliver based, at least in part, on one or more of the tracked atrial fiducials.

[0005] Alternatively or additionally to any of the examples above, in another example, the plurality of different ventricular pacing therapies may comprise two or more of VDD, VDDR, VVI, VVIR, VOO and VOOR.

[0006] Alternatively or additionally to any of the examples above, in another example, the plurality of different ventricular pacing therapies may comprise a first ventricular pacing therapy having a first pacing rate and a second ventricular pacing therapy having a second pacing rate different from the first pacing rate.

[0007] Alternatively or additionally to any of the examples above, in another example, the control module may be configured to dynamically select which ventricular pacing therapy to deliver based, at least in part, on one or more of the tracked atrial fiducials.

[0008] Alternatively or additionally to any of the examples above, in another example, the sensing module may be further configured to detect one or more ventricle fiducials that are indicative of a ventricle contraction, and the control module is configured to track the one or more ventricle fiducials over a plurality of cardiac cycles.

[0009] Alternatively or additionally to any of the examples above, in another example, the control module may be configured to select which ventricular pacing therapy to deliver based, at least in part, on one or more of the tracked atrial fiducials and one or more of the tracked ventricle fiducials.

[00010] Alternatively or additionally to any of the examples above, in another example, the control module may be configured to change from a first ventricular pacing therapy to a second ventricular pacing therapy when a predetermined one of the tracked atrial fiducials comes too close in time to a predetermined one of the tracked ventricle fiducials.

[00011] Alternatively or additionally to any of the examples above, in another example, the one or more atrial fiducials may comprise one or more of an electrical p-wave, a pressure a-wave, an acoustic S1 sound, an acoustic S2 sound, an acoustic S3 sound, an acoustic S4 sound, an indication of ventricular volume, an indication of ventricular wall thickness, an indication of cardiac tissue vibration, an indication of mitral valve position, and an indication of tricuspid valve position.

[00012] Alternatively or additionally to any of the examples above, in another example, the sensing module may be configured to detect two or more atrial fiducials that are indicative of an atrial contraction, and wherein the control module is configured to select which ventricular pacing therapy to deliver based, at least in part, on a selected one of the tracked atrial fiducials.

[00013] Alternatively or additionally to any of the examples above, in another example, the sensing module may be configured to detect two or more atrial fiducials that are indicative of an atrial contraction, and wherein the control module is configured to select which ventricular pacing therapy to deliver based, at least in part, on two or more of the tracked atrial fiducials.

[00014] Alternatively or additionally to any of the examples above, in another example, the control module may continuously track the one or more atrial fiducials over a plurality of cardiac cycles.

[00015] Alternatively or additionally to any of the examples above, in another example, the control module may intermittently track the one or more atrial fiducials over a plurality of cardiac cycles.

[00016] Alternatively or additionally to any of the examples above, in another example, the control module may be configured to switch from delivering a first ventricular pacing therapy to a delivering second ventricular pacing therapy when the control module can no longer track one or more of the atrial fiducials.

[00017] Alternatively or additionally to any of the examples above, in another example, the control module may enter a search mode to attempt to re-acquire the one or more of the atrial fiducials that can no longer be tracked.

[00018] Alternatively or additionally to any of the examples above, in another example, the sensing module may comprise one or more of a pressure measurement module and an acoustic measurement module.

[00019] In another example, a leadless cardiac pacemaker (LCP) may be configured to sense cardiac activity and to deliver pacing therapy to a patient's heart. The LCP may comprise a housing, a first electrode secured relative to the housing and exposed to the environment outside of the housing, a second electrode secured relative to the housing and exposed to the environment outside of the housing, a sensing module disposed within the housing and responsive to the environment outside of the housing, the sensing module including one or more of a pressure measurement module and an acoustic measurement module, the sensing module configured to detect one or more atrial fiducials that are indicative of an atrial contraction and one or more ventricle fiducials that are indicative of a ventricle contraction, and a control module operatively coupled to the first electrode, the second electrode, and the sensing module. The control module may be configured to track the one or more atrial fiducials and one or more ventricle fiducials over a plurality of cardiac cycles and deliver a plurality of different ventricular pacing therapies to the patient's heart via the first electrode and the second electrode, wherein the control module transitions from delivery of a first one of the different ventricular pacing therapies to a second one of the different ventricular pacing therapies based, at least in part, on one or more of the tracked atrial fiducials. The plurality of different ventricular pacing therapies may comprise two or more of VDD, VDDR, VVI, VVIR, VOO and VOOR.

[00020] Alternatively or additionally to any of the examples above, in another example, the control module may transition from delivery of a first one of the different ventricular pacing therapies to a second one of the different ventricular pacing therapies based, at least in part, on one or more of the tracked atrial fiducials and one or more of the tracked ventricle fiducials.

[00021] Alternatively or additionally to any of the examples above, in another example, the control module may be configured to switch from delivering a first ventricular pacing therapy to a delivering second ventricular pacing therapy when the control module can no longer track one or more of the atrial fiducials.

[00022] Alternatively or additionally to any of the examples above, in another example, the plurality of different ventricular pacing therapies may comprise a ventricular pacing therapy having a first pacing rate and a ventricular pacing therapy having a second pacing rate different from the first pacing rate.

[00023] In another example, a leadless cardiac pacemaker (LCP) may be configured to sense cardiac activity and to deliver pacing therapy to a patient's heart. The LCP may comprise a housing, a first electrode secured relative to the housing and exposed to the environment outside of the housing, a second electrode secured relative to the housing and exposed to the environment outside of the housing, a sensing module for sensing a hemodynamic state of the patient, and a control module operatively coupled to the first electrode, the second electrode, and the sensing module. The control module may be configured to deliver a plurality of different ventricular pacing therapies to the patient's heart via the first electrode and the second electrode, wherein the control module dynamically selects which ventricular pacing therapy to deliver based, at least in part, on the sensed hemodynamic state of the patient. The plurality of different ventricular pacing therapies may comprise two or more of VDD, VDDR, VVI, VVIR, VOO and VOOR.

[00024] Alternatively or additionally to any of the examples above, in another example, the sensing module comprises one or more of a pressure measurement module and an acoustic measurement module.

[00025] The above summary is not intended to describe each embodiment or every implementation of the present disclosure. Advantages and attainments, together with a more complete understanding of the disclosure, will become apparent and appreciated by referring to the following description and claims taken in conjunction with the accompanying drawings.

BRIEF DESCRIPTION OF THE DRAWINGS

[00026] The disclosure may be more completely understood in consideration of the following description of various illustrative embodiments in connection with the accompanying drawings, in which:

[00027] Figure 1 is a schematic block diagram of an illustrative leadless cardiac pacemaker (LCP) according to one example of the present disclosure;

[00028] Figure 2 is a schematic block diagram of another medical device (MD), which may be used in conjunction with an LCP 100 (Figure 1) in order to detect and/or treat cardiac arrhythmias and other heart conditions;

[00029] Figure 3 is a schematic diagram of an exemplary medical system that includes an LCP and another medical device, in accordance with yet another example of the present disclosure;

[00030] Figure 4 is a graphical representation of an illustrative electrocardiogram (ECG) showing a temporal relationship between electrical signals of the heart and mechanical indications of contraction of the heart;

[00031] Figure 5 is a graph showing example pressures and volumes within the heart over time;

[00032] Figure 6 is an illustrative table of various artifacts occurring during the cardiac cycle and different ways to detect them;

[00033] Figure 7 is an illustrative table of various artifacts occurring during the cardiac cycle and during which cardiac phase each occur;

[00034] Figure 8 is a side view of an illustrative LCP;

[00035] Figure 9A is a partial cross-sectional plan view of an example LCP implanted within a heart during ventricular filling;

[00036] Figure 9B is a partial cross-sectional plan view of an example LCP implanted within a heart during ventricular contraction;

[00037] Figure 10 is a flow diagram showing an illustrative method of detecting atrial activity from an LCP implanted in a ventricle of the heart and generating and delivering a ventricular pacing pulse using the same;

[00038] Figure 11 is a schematic diagram of an illustrative signal averaging method that can be used by an LCP implanted in the ventricle to help identify atrial timing fiducials;

[00039] Figure 12 shows a portion of an illustrative ventricle pressure signal;

[00040] Figure 13 shows a graph of illustrative cardiac signals including heart sounds, right ventricular pressure, and an electrocardiogram, along with various intervals between detectable characteristics of such signals;

[00041] Figure 14 shows a graph of illustrative cardiac signals including heart sounds, right ventricular pressure, and an electrocardiogram, along with various timing delays (AV intervals) from detectable characteristics of such signals to a desired ventricle pacing pulse;

[00042] Figure 15 is an illustrative method for determining when a medical device should utilize reversion;

[00043] Figure 16 illustrates a comparison of pacing intervals on an electrocardiogram when the device is operating in a normal VDD tracking mode and pacing intervals on an electrocardiogram when the device is operating in a VDD pseudo tracking mode; and

[00044] Figure 17 is a graphic representation of higher order derivatives that can be used by an LCP implanted in the ventricle to help identify atrial timing fiducials.

[00045] While the disclosure is amenable to various modifications and alternative forms, specifics thereof have been shown by way of example in the drawings and will be described in detail. It should be understood, however, that the intention is not to limit aspects of the disclosure to the particular illustrative embodiments described. On the contrary, the intention is to cover all modifications, equivalents, and alternatives falling within the spirit and scope of the disclosure.

DESCRIPTION

[00046] The following description should be read with reference to the drawings in which similar elements in different drawings are numbered the same. The description and the drawings, which are not necessarily to scale, depict illustrative embodiments and are not intended to limit the scope of the disclosure. While the present disclosure is applicable to any suitable implantable medical device (IMD), the description below uses

pacemakers and more particularly leadless cardiac pacemakers (LCP) as particular examples.

[00047] All numbers are herein assumed to be modified by the term “about”, unless the content clearly dictates otherwise. The recitation of numerical ranges by endpoints includes all numbers subsumed within that range (e.g., 1 to 5 includes 1, 1.5, 2, 2.75, 3, 3.80, 4, and 5).

[00048] As used in this specification and the appended claims, the singular forms “a”, “an”, and “the” include the plural referents unless the content clearly dictates otherwise. As used in this specification and the appended claims, the term “or” is generally employed in its sense including “and/or” unless the content clearly dictates otherwise.

[00049] It is noted that references in the specification to “an embodiment”, “some embodiments”, “other embodiments”, etc., indicate that the embodiment described may include a particular feature, structure, or characteristic, but every embodiment may not necessarily include the particular feature, structure, or characteristic. Moreover, such phrases are not necessarily referring to the same embodiment. Further, when a particular feature, structure, or characteristic is described in connection with an embodiment, it is contemplated that the feature, structure, or characteristic may be applied to other embodiments whether or not explicitly described unless clearly stated to the contrary.

[00050] A normal, healthy heart induces contraction by conducting intrinsically generated electrical signals throughout the heart. These intrinsic signals cause the muscle cells or tissue of the heart to contract in a coordinated manner. These contractions force blood out of and into the heart, providing circulation of the blood throughout the rest of the body. Many patients suffer from cardiac conditions that affect the efficient operation of their hearts. For example, some hearts develop diseased tissue that no longer generate or efficiently conduct intrinsic electrical signals. In some examples, diseased cardiac tissue may conduct electrical signals at differing rates, thereby causing an unsynchronized and inefficient contraction of the heart. In other examples, a heart may generate intrinsic signals at such a low rate that the heart rate becomes dangerously low. In still other examples, a heart may generate electrical signals at an unusually high rate, even resulting in cardiac fibrillation. In some cases such an abnormality can develop into a fibrillation state, where the contraction of the patient’s heart chambers are almost

completely de-synchronized and the heart pumps very little to no blood. Implantable medical devices, which may be configured to determine occurrences of such cardiac abnormalities or arrhythmias and deliver one or more types of electrical stimulation therapy to patient's hearts, may help to terminate or alleviate these and other cardiac conditions.

[00051] It is contemplated that atrial events or artifacts indicative of an atrial event may be used by a device implanted in the right (or left) ventricle to time a pacing pulse for the ventricle in support of treating bradycardia events. In some cases, the timing of the ventricle pacing pulse may be adjusted to maximize the amount of blood entering the right ventricle through passive filling. In some instances, this may include adjusting an AV delay relative to an atrial fiducial (e.g., atrial kick). In some cases, a measured pressure change (or other atrial fiducial) over time may be used to support management of a CRT cardiac therapy (e.g. if placed in the left ventricle), patient health status monitoring and/or any other suitable goal. It is contemplated that measuring events in one of or both of the ventricle and atrium using a single leadless cardiac pacemaker may replicate a dual chamber system using only a single device. For example, such a system may enable a device to be positioned in a ventricle and capable of sensing intrinsic ventricular and atrial events and pacing the ventricle when appropriate (e.g., a VDD pacemaker).

[00052] Figure 1 depicts an illustrative leadless cardiac pacemaker (LCP) that may be implanted into a patient to provide bradycardia therapy, cardiac resynchronization therapy (CRT), anti-tachycardia pacing (ATP) therapy, defibrillation therapy, and/or the like. As can be seen in Figure 1, the illustrative LCP 100 may be a compact device with all components housed within and/or on the LCP housing 120. In the example shown in Figure 1, the LCP 100 includes a communication module 102, a pulse generator module 104, an electrical sensing module 106, a mechanical sensing module 108, a processing module 110, a battery 112, and electrodes 114. It is contemplated that the LCP 100 may include more or less modules, depending on the application.

[00053] The communication module 102 may be configured to communicate with remote devices such as sensors, other devices, and/or the like, that are located externally and/or internally to the patient's body. The other devices may be device primarily

functioning as a medical device (e.g. a LCP programmer, an implanted sensor) or a device primarily functioning as a non-medical device (e.g. a personal computer, tablet computer, smart phone, laptop computer or the like). Irrespective of the location or primary function, the remote devices (i.e., external to the LCP 100 but not necessarily external to the patient's body) may communicate with the LCP 100 via the communication module 102 to accomplish one or more desired functions. For example, the LCP 100 may communicate information, such as sensed signals, data, instructions, messages, etc., to a remote medical device through the communication module 102. The remote medical device may then use the communicated signals, data, instructions and/or messages to perform various functions, such as determining occurrences of arrhythmias, delivering electrical stimulation therapy, storing received data, analyzing received data, transmitting the received data to an external programmer or server or the like for review by a physician, and/or performing any other suitable function. The LCP 100 may additionally receive information such as signals, data, instructions and/or messages from the remote medical device through the communication module 102, and the LCP 100 may use the received signals, data, instructions and/or messages to perform various functions, such as determining occurrences of arrhythmias, delivering electrical stimulation therapy, storing received data, analyzing received data, and/or performing any other suitable function. The communication module 102 may be configured to use one or more methods for communicating with remote devices. For example, the communication module 102 may communicate via radiofrequency (RF) signals, inductive coupling, optical signals, acoustic signals, conducted communication signals, and/or any other signals suitable for communication.

[00054] In the example shown in Figure 1, the pulse generator module 104 may be electrically connected to the electrodes 114. In some examples, the LCP 100 may include one or more additional electrodes 114'. In such examples, the pulse generator 104 may also be electrically connected to the additional electrodes 114'. The pulse generator module 104 may be configured to generate electrical stimulation signals. For example, the pulse generator module 104 may generate electrical stimulation signals by using energy stored in a battery 112 within the LCP 100 and deliver the generated electrical stimulation signals via the electrodes 114 and/or 114'. Alternatively, or additionally, the

pulse generator 104 may include one or more capacitors, and the pulse generator 104 may charge the one or more capacitors by drawing energy from the battery 112. The pulse generator 104 may then use the energy of the one or more capacitors to deliver the generated electrical stimulation signals via the electrodes 114 and/or 114'. In at least some examples, the pulse generator 104 of the LCP 100 may include switching circuitry to selectively connect one or more of the electrodes 114 and/or 114' to the pulse generator 104 in order to select which of the electrodes 114/114' (and/or other electrodes) that the pulse generator 104 uses to deliver the electrical stimulation therapy. The pulse generator module 104 may generate electrical stimulation signals with particular features or in particular sequences in order to provide one or multiple of a number of different stimulation therapies. For example, the pulse generator module 104 may be configured to generate electrical stimulation signals to provide electrical stimulation therapy to combat bradycardia, tachycardia, cardiac dyssynchrony, bradycardia arrhythmias, tachycardia arrhythmias, fibrillation arrhythmias, cardiac synchronization arrhythmias and/or to produce any other suitable electrical stimulation therapy. Some more common electrical stimulation therapies include bradycardia therapy, anti-tachycardia pacing (ATP) therapy, cardiac resynchronization therapy (CRT), and cardioversion/defibrillation therapy.

[00055] In some examples, the LCP 100 may not include a pulse generator 104 or may turn off the pulse generator 104. When so provided, the LCP 100 may be a diagnostic only device. In such examples, the LCP 100 may not deliver electrical stimulation therapy to a patient. Rather, the LCP 100 may collect data about cardiac electrical activity and/or other physiological parameters of the patient and communicate such data and/or determinations to one or more other medical devices via the communication module 102.

[00056] In some examples, the LCP 100 may include an electrical sensing module 106, and in some cases, a mechanical sensing module 108. The electrical sensing module 106 may be configured to sense the cardiac electrical activity of the heart. For example, the electrical sensing module 106 may be connected to the electrodes 114/114', and the electrical sensing module 106 may be configured to receive cardiac electrical signals conducted through the electrodes 114/114'. The cardiac electrical signals may represent

local information from the chamber (e.g. near field) in which the LCP 100 is implanted. For instance, if the LCP 100 is implanted within a ventricle of the heart, cardiac electrical signals sensed by the LCP 100 through the electrodes 114/114' may represent ventricular cardiac electrical signals, and possibly some weaker atrial electrical signals. The electrical sensing module 106 may be configured to detect voltage, current and/or impedance. An electrogram sensing module may be provided as a part of the electrical sensing module.

[00057] The mechanical sensing module 108 may include one or more sensors, such as an accelerometer, a gyroscope, a microphone, a hydrophone, a blood pressure sensor, a heart sound sensor, a blood-oxygen sensor, a temperature sensor, a flow sensor, a strain sensor, and/or any other suitable sensors that are configured to measure one or more mechanical and/or chemical parameters of the patient. In some cases, the mechanical sensing module 108 may include two or more of a pressure measurement module, an acoustic measurement module, an acceleration measurement module.

[00058] Both the electrical sensing module 106 and the mechanical sensing module 108 may be connected to a processing module 110, which may provide signals representative of the sensed mechanical parameters. Although described with respect to Figure 1 as separate sensing modules, in some cases, the electrical sensing module 106 and the mechanical sensing module 108 may be combined into a single sensing module, as desired.

[00059] The electrodes 114/114' can be secured relative to the housing 120 but exposed to the tissue and/or blood surrounding the LCP 100. In some cases, the electrodes 114 may be generally disposed on or near either end of the LCP 100 and may be in electrical communication with one or more of the modules 102, 104, 106, 108, and 110. The electrodes 114/114' may be supported by the housing 120, although in some examples, the electrodes 114/114' may be secured relative to the housing 120 through short connecting wires (e.g. tail) such that one or more of the electrodes 114/114' may be spaced from the housing 120. In examples where the LCP 100 includes one or more electrodes 114', the electrodes 114' may in some cases be disposed on the sides of the housing 120 of the LCP 100, which may increase the number of electrodes by which the LCP 100 may sense cardiac electrical activity, deliver electrical stimulation and/or

communicate with an external medical device. The electrodes 114/114' can be made up of one or more biocompatible conductive materials such as various metals or alloys that are known to be safe for implantation within a human body. In some instances, the electrodes 114/114' connected to LCP 100 may have an insulative portion that electrically isolates the electrodes 114/114' from adjacent electrodes, the housing 120, and/or other parts of the LCP 100.

[00060] The processing module 110 can be configured to control the operation of the LCP 100. For example, the processing module 110 may be configured to receive electrical signals from the electrical sensing module 106 and/or the mechanical sensing module 108. Based on the received signals, the processing module 110 may determine, for example, a need for pacing therapy such as bradycardia therapy, cardiac resynchronization therapy (CRT), anti-tachycardia pacing (ATP) therapy, defibrillation therapy, and/or the like. The processing module 110 may control the pulse generator module 104 to generate electrical stimulation in accordance with one or more pacing therapies. The processing module 110 may further receive information from the communication module 102. In some examples, the processing module 110 may use such received information to help determine the need for pacing therapy and/or what type of pacing therapy. The processing module 110 may additionally control the communication module 102 to send/receive information to/from other devices.

[00061] In some examples, the processing module 110 may include a pre-programmed chip, such as a very-large-scale integration (VLSI) chip and/or an application specific integrated circuit (ASIC). In such embodiments, the chip may be pre-programmed with control logic in order to control the operation of the LCP 100. By using a pre-programmed chip, the processing module 110 may use less power than other programmable circuits (e.g., general purpose programmable microprocessors) while still being able to maintain basic functionality, thereby potentially increasing the battery life of the LCP 100. In other examples, the processing module 110 may include a programmable microprocessor. Such a programmable microprocessor may allow a user to modify the control logic of the LCP 100 even after implantation, thereby allowing for greater flexibility of the LCP 100 than when using a pre-programmed ASIC. In some examples, the processing module 110 may further include a memory, and the processing

module 110 may store information on and read information from the memory. In other examples, the LCP 100 may include a separate memory (not shown) that is in communication with the processing module 110, such that the processing module 110 may read and write information to and from the separate memory.

[00062] The battery 112 may provide power to the LCP 100 for its operations. In some examples, the battery 112 may be a non-rechargeable lithium-based battery. In other examples, a non-rechargeable battery may be made from other suitable materials, as desired. Because the LCP 100 is an implantable device, access to the LCP 100 may be limited after implantation. Accordingly, it is desirable to have sufficient battery capacity to deliver therapy over a period of treatment such as days, weeks, months, years or even decades. In some instances, the battery 112 may be a rechargeable battery, which may help increase the useable lifespan of the LCP 100. In still other examples, the battery 112 may be some other type of power source, as desired.

[00063] To implant the LCP 100 inside a patient's body, an operator (e.g., a physician, clinician, etc.), may fix the LCP 100 to the cardiac tissue of the patient's heart. To facilitate fixation, the LCP 100 may include one or more anchors 116. The anchor 116 may include any one of a number of fixation or anchoring mechanisms. For example, the anchor 116 may include one or more pins, staples, threads, screws, helix, tines, and/or the like. In some examples, although not shown, the anchor 116 may include threads on its external surface that may run along at least a partial length of the anchor 116. The threads may provide friction between the cardiac tissue and the anchor to help fix the anchor 116 within the cardiac tissue. In other examples, the anchor 116 may include other structures such as barbs, spikes, or the like to facilitate engagement with the surrounding cardiac tissue.

[00064] Figure 2 depicts an example of another medical device (MD) 200, which may be used in conjunction with an LCP 100 (Figure 1) in order to detect and/or treat cardiac arrhythmias and other heart conditions. In the example shown, the MD 200 may include a communication module 202, a pulse generator module 204, an electrical sensing module 206, a mechanical sensing module 208, a processing module 210, and a battery 218. Each of these modules may be similar to the modules 102, 104, 106, 108, and 110 of the LCP 100. Additionally, the battery 218 may be similar to the battery 112 of the

LCP 100. In some examples, the MD 200 may have a larger volume within the housing 220 than LCP 100. In such examples, the MD 200 may include a larger battery and/or a larger processing module 210 capable of handling more complex operations than the processing module 110 of the LCP 100.

[00065] While it is contemplated that the MD 200 may be another leadless device such as shown in Figure 1, in some instances the MD 200 may include leads such as leads 212. The leads 212 may include electrical wires that conduct electrical signals between the electrodes 214 and one or more modules located within the housing 220. In some cases, the leads 212 may be connected to and extend away from the housing 220 of the MD 200. In some examples, the leads 212 are implanted on, within, or adjacent to a heart of a patient. The leads 212 may contain one or more electrodes 214 positioned at various locations on the leads 212, and in some cases at various distances from the housing 220. Some of the leads 212 may only include a single electrode 214, while other leads 212 may include multiple electrodes 214. Generally, the electrodes 214 are positioned on the leads 212 such that when the leads 212 are implanted within the patient, one or more of the electrodes 214 are positioned to perform a desired function. In some cases, the one or more of the electrodes 214 may be in contact with the patient's cardiac tissue. In some cases, the one or more of the electrodes 214 may be positioned substernally or subcutaneously and spaced from but adjacent to the patient's heart. In some cases, the electrodes 214 may conduct intrinsically generated electrical signals to the leads 212, e.g., signals representative of intrinsic cardiac electrical activity. The leads 212 may, in turn, conduct the received electrical signals to one or more of the modules 202, 204, 206, and 208 of the MD 200. In some cases, the MD 200 may generate electrical stimulation signals, and the leads 212 may conduct the generated electrical stimulation signals to the electrodes 214. The electrodes 214 may then conduct the electrical signals and deliver the signals to the patient's heart (either directly or indirectly).

[00066] The mechanical sensing module 208, as with the mechanical sensing module 108, may contain or be electrically connected to one or more sensors, such as microphones, hydrophones, accelerometers, gyroscopes, blood pressure sensors, heart sound sensors, blood-oxygen sensors, acoustic sensors, ultrasonic sensors, strain sensors, and/or other sensors which are configured to measure one or more mechanical/chemical

parameters of the heart and/or patient. In some examples, one or more of the sensors may be located on the leads 212, but this is not required. In some examples, one or more of the sensors may be located in the housing 220.

[00067] While not required, in some examples, the MD 200 may be an implantable medical device. In such examples, the housing 220 of the MD 200 may be implanted in, for example, a transthoracic region of the patient. The housing 220 may generally include any of a number of known materials that are safe for implantation in a human body and may, when implanted, hermetically seal the various components of the MD 200 from fluids and tissues of the patient's body.

[00068] In some cases, the MD 200 may be an implantable cardiac pacemaker (ICP). In this example, the MD 200 may have one or more leads, for example leads 212, which are implanted on or within the patient's heart. The one or more leads 212 may include one or more electrodes 214 that are in contact with cardiac tissue and/or blood of the patient's heart. The MD 200 may be configured to sense intrinsically generated cardiac electrical signals and determine, for example, one or more cardiac arrhythmias based on analysis of the sensed signals. The MD 200 may be configured to deliver CRT, ATP therapy, bradycardia therapy, and/or other therapy types via the leads 212 implanted within the heart or in concert with the LCP by commanding the LCP to pace. In some examples, the MD 200 may additionally be configured to provide defibrillation therapy.

[00069] In some instances, the MD 200 may be an implantable cardioverter-defibrillator (ICD). In such examples, the MD 200 may include one or more leads implanted within a patient's heart. The MD 200 may also be configured to sense cardiac electrical signals, determine occurrences of tachyarrhythmias based on the sensed signals, and may be configured to deliver defibrillation therapy in response to determining an occurrence of a tachyarrhythmia. In some instances, the MD 200 may be a subcutaneous implantable cardioverter-defibrillator (S-ICD). In examples where the MD 200 is an S-ICD, one of the leads 212 may be a subcutaneously or substernally implanted lead that is spaced from the heart. In at least some examples where the MD 200 is an S-ICD, the MD 200 may include only a single lead which is implanted subcutaneously or substernally, but this is not required. In some cases, the S-ICD lead may extend subcutaneously from

the S-ICD can, around the sternum and may terminate adjacent the interior surface of the sternum and spaced from the heart.

[00070] In some examples, the MD 200 may not be an implantable medical device. Rather, the MD 200 may be a device external to the patient's body, and may include skin-electrodes that are placed on a patient's body. In such examples, the MD 200 may be able to sense surface electrical signals (e.g., cardiac electrical signals that are generated by the heart or electrical signals generated by a device implanted within a patient's body and conducted through the body to the skin). In such examples, the MD 200 may be configured to deliver various types of electrical stimulation therapy, including, for example, defibrillation therapy. The MD 200 may be further configured to deliver electrical stimulation via the LCP by commanding the LCP to deliver the therapy.

[00071] It is contemplated that one or more LCPs 100 and/or one or more MDs 200 may be used in combination as an example medical device system. The various devices 100, 200 may communicate through various communication pathways including using RF signals, inductive coupling, conductive coupling optical signals, acoustic signals, or any other signals suitable for communication. The system may further include and be in communication with a display. The display may be a personal computer, tablet computer, smart phone, laptop computer, or other display as desired. In some instances, the display may include input means for receiving an input from a user. For example, the display may also include a keyboard, mouse, actuatable (e.g., pushable) buttons, or a touchscreen display. These are just examples. Some illustrative medical device systems are described in commonly assigned Patent Application Number 62/547,458, entitled **IMPLANTABLE MEDICAL DEVICE WITH PRESSURE SENSOR** and filed on August 18, 2017, which is hereby incorporated by reference.

[00072] Figure 3 shows an example system 250 incorporating an LCP 100 and a MD 200. In Figure 3, an LCP 100 is shown fixed to the interior of the right ventricle of the heart H, and MD 200 including a pulse generator is shown coupled to a lead 212 having one or more electrodes 214a, 214b, 214c. In some cases, the MD 200 may be part of a subcutaneous implantable cardioverter-defibrillator (S-ICD), and the one or more electrodes 214a, 214b, 214c may be positioned subcutaneously or substernally adjacent the heart. In some cases, the S-ICD lead may extend subcutaneously from the S-ICD can,

around the sternum and one or more electrodes 214a, 214b, 214c may be positioned adjacent the interior surface of the sternum but spaced from the heart H. In some cases, the LCP 100 may communicate with the subcutaneous implantable cardioverter-defibrillator (S-ICD).

[00073] In some cases, the LCP 100 may be in the left ventricle, right atrium or left atrium of the heart, as desired. In some cases, more than one LCP 100 may be implanted. For example, one LCP may be implanted in the right ventricle and another may be implanted in the right atrium. In another example, one LCP may be implanted in the right ventricle and another may be implanted in the left ventricle. In yet another example, one LCP may be implanted in each of the chambers of the heart. Further, the LCP 100 may be used without the second MD 200.

[00074] The medical device system 250 may also include an external support device, such as external support device 260. The external support device 260 can be used to perform functions such as device identification, device programming and/or transfer of real-time and/or stored data between devices using one or more of the communication techniques described herein. As one example, communication between the external support device 260 and the MD 200 is performed via a wireless mode (e.g. RF, Bluetooth, inductive communication, etc.), and communication between the MD 200 and the LCP 100 is performed via a conducted mode (e.g. conducted communication). In some examples, communication between the LCP 100 and the external support device 260 is accomplished by sending communication information through the MD 200. However, in other examples, communication between the LCP 100 and the external support device 260 may be direct. In some embodiments, the external support device 260 may be provided with or be in communication with a display 262. The display 262 may be a personal computer, tablet computer, smart phone, laptop computer, or other display as desired. In some instances, the display 262 may include input means for receiving an input from a user. For example, the display 262 may also include a keyboard, mouse, actuatable buttons, or be a touchscreen display. These are just examples.

[00075] With reference to Figure 4, it will be appreciated that the heart is controlled via electrical signals that pass through the cardiac tissue and that can be detected by implanted devices such as but not limited to the LCP 100 and/or MD 200 of Figures 1 or

2. Figure 4 is a graphical representation of an illustrative electrocardiogram (ECG) 300 showing a temporal relationship between electrical signals of the heart and mechanical indications 302 (e.g. heart sounds) of contraction of the heart. As can be seen in the illustrative ECG 300, a heartbeat includes a P-wave that indicates atrial depolarization associated with an atrial contraction to load the ventricles. A QRS complex, including a Q-wave, an R-wave and an S-wave, represents a ventricular depolarization associated with the ventricles contracting to pump blood to the body and lungs. A T-wave shows the repolarization of the ventricles in preparation for a next heart beat. With heart disease, the timing of these individual events may be anomalous or abnormal, and the shape, amplitude and/or timing of the various waves can be different from that shown. It will be appreciated that the ECG 300 may be detected by implanted devices such as but not limited to the LCP 100 and/or MD 200 of Figures 1 or 2.

[00076] The electrical signal 300 typically instructs a portion of the heart to contract, which then results in a corresponding mechanical contraction. There is a correspondence between a characteristic in the electrical signal (e.g. ECG 300) and a corresponding mechanical response. The mechanical response is typically delayed because it takes some time for the heart to respond to the electrical signal.

[00077] It will be appreciated that heart sounds may be considered as one example of mechanical indications of the heart beating. Other illustrative mechanical indications may include, for example, endocardial acceleration or movement of a heart wall detected by an accelerometer in the LCP, acceleration or movement of a heart wall detected by an accelerometer in the SICD, a pressure, pressure change, or pressure change rate in a chamber of the heart detected by a pressure sensor of the LCP, acoustic signals caused by heart movements detected by an acoustic sensor (e.g. accelerometer, microphone, etc.), twisting of the heart detected by a gyroscope in the LCP and/or any other suitable indication of a heart chamber beating.

[00078] In some cases, there may be a first heart sound denoted S1 that is produced by vibrations generated by closure of the mitral and tricuspid valves during a ventricular contraction, a second heart sound denoted S2 that is produced by closure of the aortic and pulmonary valves, a third heart sound denoted S3 that is an early diastolic sound caused by the rapid entry of blood from the right atrium into the right ventricle and from the left

atrium into the left ventricle, and a fourth heart sound denoted S4 that is a late diastolic sound corresponding to late ventricular filling during an active atrial contraction. These are mechanical responses that can be detected using various sensors (e.g. microphone, hydrophone, accelerometer, etc.).

[00079] Because the heart sounds are a result of cardiac muscle contracting or relaxing in response to an electrical signal, it will be appreciated that there is a delay between the electrical signal, indicated by the ECG 300, and the corresponding mechanical indication, indicated in the example shown by the heart sounds trace 302. For example, the P-wave of the ECG 300 is an electrical signal triggering an atrial contraction. The S4 heart sound is the mechanical signal caused by the atrial contraction. In some cases, it may be possible to use this relationship between the P-wave and the S4 heart sound. For example, if one of these signals can be detected, their expected timing relationship can be used as a mechanism to search for the other. For example, if the P-wave can be detected, a window following the P-wave can be defined and searched in order to help find and/or isolate the corresponding S4 heart sound. In some cases, detection of both signals may be an indication of an increased confidence level in a detected atrial contraction. In some cases, detection of either signal may be sufficient to identify an atrial contraction. The identification of an atrial contraction may be used to identify an atrial contraction timing fiducial (e.g. a timing marker of the atrial contraction).

[00080] With traditional systems having transvenous leads, the intracardiac electrodes are placed to detect the atrial depolarization while also delivering pacing therapy to one or both ventricles. As a result, the circuitry of a single device would receive, directly, information for the P-wave allowing delivery at a timed interval of a pacing pulse to properly coordinate the ventricular pace with the atrial contraction and improve pumping efficiency. However, with a system only having an LCP implanted within a ventricle, it may be difficult to detect the relatively small P-wave from within the ventricle, and as such, it is contemplated that the LCP may be configured to detect atrial activity without relying on the P-wave (e.g. using S4). The detected atrial activity may be used to identify an atrial timing fiducial that can be used as a basis for timing a pacing pulse in the ventricle (e.g. after an AV delay).

[00081] In some examples, a time window for atrial artifact detection is defined during which the LCP 100 may specifically look for atrial artifacts (such as, but not limited to, atrial contraction) to determine an atrial timing fiducial. Such windows may be defined by analysis of the cardiac signals obtained from a patient using, for example, a detected ventricular event such as the R-wave /QRS complex or the T-wave of a previous heart beat as the starting point for timing delays 304, 306, as shown in Figure 4. Timing delays 304, 306 may be dynamic based on the overall heart beat rate of the patient using data gathered from a patient or using a formula or accepted relationship. Other windows may be determined based on detected atrial artifacts and/or determined atrial events, as described in more detail herein.

[00082] In some cases, the relationship of certain electrical signals and/or mechanical indications may be used to predict the timing of other electrical signals and/or mechanical indications within the same heartbeat. Alternatively, or in addition, the timing of certain electrical signals and/or mechanical indications corresponding to a particular heartbeat may be used to predict the timing of other electrical signals and/or mechanical indications within a subsequent heartbeat.

[00083] It will be appreciated that as the heart undergoes a cardiac cycle, the blood pressures and blood volumes within the heart vary over time. Figure 5 illustrates how these parameters correlate with the electrical signals and corresponding mechanical indications. Figure 5 shows an illustrative example of the aortic pressure, left ventricular pressure, left atrial pressure, left ventricular volume, an electrocardiogram (ECG or egram), and heart sounds of the heart over two consecutive heart beats. A cardiac cycle may begin with diastole, and the mitral valve opens. The ventricular pressure falls below the atrial pressure, resulting in the ventricle filling with blood. During ventricular filling, the aortic pressure slowly decreases as shown. During systole, the ventricle contracts. When ventricular pressure exceeds the atrial pressure, the mitral valve closes, generating the S1 heart sound. Before the aortic valve opens, an isovolumetric contraction phase occurs where the ventricle pressure rapidly increases but the ventricle volume does not significantly change. Once the ventricular pressure equals the aortic pressure, the aortic valve opens and the ejection phase begins where blood is ejected from the left ventricle into the aorta. The ejection phase continues until the ventricular pressure falls below the

aortic pressure, at which point the aortic valve closes, generating the S2 heart sound. At this point, the isovolumetric relaxation phase begins and ventricular pressure falls rapidly until it is exceeded by the atrial pressure, at which point the mitral valve opens and the cycle repeats.

[00084] Contractions of the atria are initiated near the end of ventricular diastole. The active atrial contraction pushes or forces additional volumes of blood into the ventricles (often referred to as "atrial kick") in addition to the volumes associated with passive filling. In some cases, the atrial kick contributes in the range of about 20% of the volume of blood toward ventricular preload. At normal heart rates, the atrial contractions are considered highly desirable for adequate ventricular filling. However, as heart rates increase, atrial filling becomes increasingly important for ventricular filling because the time interval between contractions for active filling becomes progressively shorter. Cardiac pressure curves for the pulmonary artery, the right atrium, and the right ventricle, and the cardiac volume curve for the right ventricle, may be similar to those illustrated in Figure 5. Typically, the cardiac pressure in the right ventricle is lower than the cardiac pressure in the left ventricle.

[00085] The heart sound signals shown in Figure 5 can be recorded using acoustic sensors, for example a microphone, which may capture the acoustic waves resulted from such heart sounds. In another example, the heart sounds can be recorded using accelerometers or pressure sensors that capture the vibrations or pressure waves caused by the heart sounds. The heart sound signals can be recorded within or outside the heart. These are just examples.

[00086] In some cases, sensing atrial events or artifacts indicative of an atrial event may allow a device, such as LCP 100 implanted in the ventricle, to detect an atrial contraction, resulting in, for example, an atrial kick. In some cases, signals that provide an indication of an atrial contraction may include one or more of an S3 heart sound signal, an S4 heart sound signal, an A-wave signal (pressure wave) and a P-wave signal. In some cases, signals that can provide an indication of a ventricular contraction may include one or more of an R-wave, a ventricle pressure signal, a ventricle change in pressure signal (dP/dt), a ventricle wall acceleration signal, a ventricle twist signal, a blood flow rate signal, and a ventricle volume signal. These are just some examples.

[00087] Some other events or artifacts detected may include, but are not limited to, S1 heart sounds, S2 heart sounds, ventricular volume, ventricular wall dimension, cardiac tissue and/or blood vibration, atrium to ventricle blood movement, ventricular wall and/or atrioventricular (AV) valve position, akinetic pressure, ventricular twist, and any other event or artifact suitable for identifying an atrial event, and/or combinations thereof.

[00088] It is contemplated that a number of different sensor modalities may be used to help detect atrial events or artifacts indicative of an atrial event from the ventricle. Figure 6 shows a table 320 that includes a column for each of various illustrative artifact(s), and a row for each illustrative sensor modality. An "X" indicates the sensor modalities that may be used to detect the corresponding artifact.

[00089] In Figure 6, it can be seen that voltage may be used to detect P-waves, such as via an electrogram or an electrocardiogram (ECG). It is contemplated that, in some cases, an LCP implanted in the right ventricle may have a free end (e.g. end that is not affixed to the tissue) pointed towards the tricuspid valve. Due to their anatomical proximity, the electrodes of the LCP may be used to detect atrial depolarization (e.g., the p-wave). From the ventricle, the p-wave may be relatively small and difficult to detect. In some cases, the LCP may identify a time window around when the p-wave is expected, and the LCP may increase amplification and/or add special filtering and/or signal averaging (e.g. see Figure 11) to help identify the p-wave during the window. Alternatively, or in addition, the p-wave may be detected along with one or more other artifacts to help confirm an atrial contraction and to develop an atrial timing fiducial therefrom.

[00090] As shown in Figure 6, pressure may be used to identify a number of different atrial artifacts. For example DC and/or near DC type pressure measurements (e.g. 0-10 Hz range) may be used to identify passive filling of the ventricle (e.g., akinetic pressure). Low frequency (e.g. 1-5 Hz range) AC type pressure measurements may be used to detect the A-wave (atrial pressure wave in the ventricle), while higher frequency (e.g. 15-30 Hz range) AC type pressure measurements may be used to detect heart sounds. These are just examples. In some cases, pressure may be used to identify the transition between passive and active filling modes. This transition may be used as an indicator of atrial contraction. Other suitable methods for measuring or detecting pressure in one or more

heart chambers may also be used, as desired. Some illustrative but non-limiting pressure sensors and configurations for sensing pressure using an LCP are described in commonly assigned Patent Application Number 62/413,766 entitled "IMPLANTABLE MEDICAL DEVICE WITH PRESSURE SENSOR and filed on October 27, 2016, and Patent Application Number 62/547,458, entitled IMPLANTABLE MEDICAL DEVICE WITH PRESSURE SENSOR and filed on August 18, 2017, which are hereby incorporated by reference.

[00091] As shown in Figure 6, impedance measurements may be used to determine ventricular volume changes which may then be used to infer a pressure wave (e.g. A-wave) due to an atrial contraction. In one example, as the volume of blood in the ventricle changes, the impedance between the electrodes of the LCP changes. It is contemplated that the rate of change in the volume (e.g., an increase in the rate of blood entering the ventricle and hence a faster change in volume of the ventricle) may be used to identify the start of active filling and thus an atrial contraction. Some illustrative uses of impedance measurements in the heart are described in commonly assigned Patent Application Number 15/630,677 entitled LEADLESS CARDIAC PACEMAKER FOR GENERATING CARDIAC PRESSURE-VOLUME LOOP and filed on June 22, 2017, which is hereby incorporated by reference.

[00092] As blood enters the ventricle as a result of an atrial contraction, the ventricle may stretch. The stretching of the ventricle may be measure with a strain sensor. A strain sensor may require two or more points of fixation. Acceleration may be used to measure contractility of the heart H, as well as sounds. In some cases, cardiac output can be determined when acceleration measurements are combined with ventricle pressure, cardiac volume and/or other sensed parameters.

[00093] It should be understood that the table 320 shown in Figure 6 is not intended to include every possible artifact or sensor modality for detecting each artifact. Those of skill in the art will recognize that other artifacts, sensor modalities and/or combinations thereof may be used to identify an atrial event from the ventricle. In one additional example, a respiratory phase sensor may be used with other atrial artifacts described herein or by itself to help identify an atrial artifact.

[00094] The atrial event and/or artifacts indicative of an atrial event may occur during either or both passive ventricular filling or active ventricular filling. Figure 7 illustrates a table 330 of the cardiac phases, and the artifact(s) that may occur during that phases of the cardiac cycle, where an “X” is used to denote that the corresponding artifact occurs during the identified cardiac phase. Due to an electromechanical delay, the initial portion of the P-wave may fall into the passive filling phase while the later portion may fall into the active filling phase, and that is why an “X” is in both rows of the table 330. Although not required, it is contemplated that force per unit area type measurements may be provided as a DC voltage or current and/or a low frequency pressure signal linearly proportional to pressure. Sound type pressure measurements (e.g., infrasonic and sonic) may be provided as an AC pressure.

[00095] In some instances, ultrasound may use a combined ultrasound source and sensor, although this is not required. The source and sensor may be separately provided, as desired. It is contemplated that ultrasound imaging may be used in a device implanted in the ventricle to see the atrial wall (e.g., through the tricuspid valve), tricuspid closing, and/or a flow increase due to an atrial contraction to help identify an A-wave. In some cases, ultrasound sensor may detect an atrial arrhythmia (e.g. atrial flutter or atrial fibrillation). During normal sinus rhythm (NSR) atrial blood flow into the ventricle is comprised of two sequential components, an E (early) wave followed by an A (atrial) wave. During atrial arrhythmias the E wave is largely unchanged from that in NSR, however the A wave is either missing (atrial fibrillation) or smaller and much faster (atrial flutter). During a detected atrial arrhythmia an LCP with an ultrasound sensor may modify its behavior (e.g. revert from VVD mode to VVI mode).

[00096] It should be noted that while the heart sounds are indicated as capable of being identified with an accelerometer, the accelerometer actually measures or detects mechanical vibration associated with the heart sound and not the pressure of the sound waves. In some cases, the measured artifact may not occur distinctly within one cardiac phase or another. For example, ventricular twist may be used to identify the end of active ventricular filling (e.g., ejection). Further, the S1 heart sound may occur at the end of active ventricular filling, while the S2 heart sound may occur shortly before the beginning of passive ventricular filling. These are just some examples.

[00097] In some cases, the LCP 100 may be configured to determine an atrial contraction timing fiducial based at least in part upon a sensed indication of an atrial contraction in a first heartbeat and/or a sensed indication of a ventricular contraction in the first heartbeat and/or one or more immediately preceding heartbeat(s). In some cases, the processing module 110 of the LCP 100 may be configured to generate and deliver a ventricle pacing pulse using the determined atrial contraction timing fiducial (e.g. after an A-V delay).

[00098] As described above, atrial events or artifacts indicative of an atrial event may be used by an LCP in the ventricle (e.g. right ventricle) to time a pacing pulse for the ventricle in support of treating bradycardia events. In some cases, the timing of the ventricle pacing pulse may be adjusted to improve the amount of blood entering the right ventricle through active filling. In some instances, this may include adjusting an AV delay relative to an atrial fiducial (e.g., atrial kick). In some cases, a measured pressure change (or other atrial fiducial) over time may be used to support management of a CRT cardiac therapy (if placed in the left ventricle), patient health status monitoring and/or any other suitable goal. It is contemplated that detecting events in one of or both of the ventricle and atrium using a single LCP implanted in the ventricle may replicate a dual chamber system with only a single device. That is, a single device positioned in the ventricle may listening to both the ventricle and the atrium and pacing accordingly (e.g., a VDD device).

[00099] Figure 8 is a side view of an illustrative implantable leadless cardiac pacemaker (LCP) 400 which may be positioned within the ventricle and configured to listen to both the ventricle and the atrium. The LCP 400 may be similar in form and function to the LCP 100 described above. The LCP 400 may include any of the sensing, electrical, control, and/or pacing modules and/or structural features described herein. The LCP 400 may include a shell or housing 402 having a proximal end 404 and a distal end 406. The illustrative LCP 400 includes a first electrode 410 secured relative to the housing 402 and positioned adjacent to the distal end 406 of the housing 402 and a second electrode 412 secured relative to the housing 402 and positioned adjacent to the proximal end 404 of the housing 402. In some cases, the housing 402 may include a conductive material and may be insulated along a portion of its length. A section along

the proximal end 404 may be free of insulation so as to define the second electrode 412. The electrodes 410, 412 may be sensing and/or pacing electrodes to provide electro-therapy and/or sensing capabilities. The first electrode 410 may be capable of being positioned against or otherwise in contact with the cardiac tissue of the heart, while the second electrode 412 may be spaced away from the first electrode 410. The first and/or second electrodes 410, 412 may be exposed to the environment outside the housing 402 (e.g., to blood and/or tissue).

[000100] It is contemplated that the housing 402 may take a variety of different shapes. For example, in some cases, the housing 402 may have a generally cylindrical shape. In other cases, the housing 402 may have a half-dome shape. In yet other embodiments, the housing 402 may be a rectangular prism. It is contemplated that the housing may take any cross sectional shape desired, including but not limited to annular, polygonal, oblong, square, etc.

[000101] In some cases, the LCP 400 may include a pulse generator (e.g., electrical circuitry) and a power source (e.g., a battery) within the housing 402 to provide electrical signals to the electrodes 410, 412 to control the pacing/sensing electrodes 410, 412. While not explicitly shown, the LCP 400 may also include a communications module, an electrical sensing module, a mechanical sensing module, and/or a processing module, and the associated circuitry, similar in form and function to the modules 102, 106, 108, 110 described above. The various modules and electrical circuitry may be disposed within the housing 402. Electrical communication between the pulse generator and the electrodes 410, 412 may provide electrical stimulation to heart tissue and/or sense a physiological condition.

[000102] In the example shown, the LCP 400 includes a fixation mechanism 414 proximate the distal end 406 of the housing 402. The fixation mechanism 414 is configured to attach the LCP 400 to a wall of the heart H, or otherwise anchor the LCP 400 to the anatomy of the patient. As shown in Figure 8, in some instances, the fixation mechanism 414 may include one or more, or a plurality of hooks or tines 416 anchored into the cardiac tissue of the heart H to attach the LCP 400 to a tissue wall. In other instances, the fixation mechanism 414 may include one or more, or a plurality of passive tines, configured to entangle with trabeculae within the chamber of the heart H and/or a

helical fixation anchor configured to be screwed into a tissue wall to anchor the LCP 400 to the heart H. These are just examples.

[000103] The LCP 400 may further include a docking member 420 proximate the proximal end 404 of the housing 402. The docking member 420 may be configured to facilitate delivery and/or retrieval of the LCP 400. For example, the docking member 420 may extend from the proximal end 404 of the housing 402 along a longitudinal axis of the housing 402. The docking member 420 may include a head portion 422 and a neck portion 424 extending between the housing 402 and the head portion 422. The head portion 422 may be an enlarged portion relative to the neck portion 424. For example, the head portion 422 may have a radial dimension from the longitudinal axis of the LCP 400 that is greater than a radial dimension of the neck portion 424 from the longitudinal axis of the LCP 400. In some cases, the docking member 420 may further include a tether retention structure 426 extending from or recessed within the head portion 422. The tether retention structure may define an opening 428 configured to receive a tether or other anchoring mechanism therethrough. The retention structure may take any shape that provides an enclosed perimeter surrounding the opening such that a tether may be securably and releasably passed (e.g., looped) through the opening 428. In some cases, the retention structure may extend through the head portion 422, along the neck portion 424, and to or into the proximal end 404 of the housing 402. The docking member 420 may be configured to facilitate delivery of the LCP 400 to the intracardiac site and/or retrieval of the LCP 400 from the intracardiac site. While this describes one example docking member 420, it is contemplated that the docking member 420, when provided, can have any suitable configuration.

[000104] It is contemplated that the LCP 400 may include one or more sensors 430 coupled to or formed within the housing 402 such that the sensor(s) is exposed to and/or otherwise operationally coupled with (e.g., responsive to) the environment outside the housing 402 to measure or detect various artifacts within the heart. The one or more sensors 430 may be of a same modality or a combination of two or more different sensing modalities, as desired. For example, the one or more sensors 430 may be use voltage, pressure, sound, ultrasound, impedance, strain, acceleration, flow, and/or rotation to detect P-waves, A-waves, S1-S4 heart sounds, ventricular volume, ventricular wall

dimensions, cardiac tissue and/or blood vibration, atrium to ventricle blood movement, ventricular wall and/or atrioventricular valve position, akinetic pressure, and/or ventricular twist, such as described with respect to Figures 6 and 7. The sensors may be a part of, coupled to, and/or in electrical communication with a sensing module disposed within the housing 402. In addition to sensing artifacts within the heart, the sensing module may be further configured to detect physiological conditions that may impact the LCP's ability to detect artifacts including, but not limited to posture, activity and/or respiration. The use of two or more sensors in combination may allow for the removal of some common mode noise (e.g., may eliminate gross body motion).

[000105] In some cases, the one or more sensors 430 may be coupled to an exterior surface of the housing 402. In other cases, the one or more sensors 430 may be positioned within the housing 402 with an artifact acting on the housing and/or a port on the housing 402 to affect the sensor 430. In one illustrative example, if the LCP 400 is placed in the right ventricle, the sensor(s) 430 may be a pressure sensor configured to measure a pressure within the right ventricle. If the LCP 400 is placed in another portion of the heart (such as one of the atriums or the left ventricle), the pressures sensor(s) may measure the pressure within that portion of the heart. In some cases, the sensor(s) 430 may be sensitive enough to detect an artifact in a heart chamber different from the chamber in which the LCP 400 is positioned. For example, in some instances a sensor 430 may detect a pressure change caused by an atrial contraction (e.g., atrial kick) when the LCP 400 is placed in the right ventricle. Some illustrative sensor configurations will be described in more detail herein.

[000106] Figure 9A is a plan view of the example leadless cardiac pacing device 400 implanted within a right ventricle RV of the heart H during ventricular filling. The right atrium RA, left ventricle LV, left atrium LA, and aorta A are also illustrated. Figure 9B is a plan view of the leadless cardiac pacing device 610 implanted within a right ventricle of the heart H during ventricular contraction. These figures illustrate how the volume of the right ventricle may change over a cardiac cycle. As can be seen in Figures 9A and 9B, the volume of the right ventricle during ventricular filling is larger than the volume of the right ventricle of the heart after ventricular contraction.

[000107] While it is desirable to identify an atrial contraction often associated with the A-wave, the A-wave can be difficult to detect as it may be very small in magnitude and detection of it may come and go. It is contemplated that a combination of sensor modalities and/or measured atrial artifacts may be used to identify an atrial timing fiducial. For example, it is contemplated that any of the sensor modalities identified with respect to Figures 6 and 7 may be combined with any other sensor modality to identify an atrial timing fiducial. In some cases, a pressure signal may be used to determine a number of parameters. For example, a pressure signal may be used to determine or detect an A-wave (atrial kick). In another example, the pressure signal may be used to determine or detect a pressure pulse or pressure vibrations associated with S4, which may, for example, be in the 15-30 Hz range. In some cases, the S4 heart sound may be easier to detect using a pressure signal from a pressure sensor than from an accelerometer signal from accelerometer or using an acoustic signal from an acoustic sensor, particularly since the ventricular pressure is not changing substantially during this time period (ventricle is filling) and since there may be a great deal of unwanted signal (i.e. noise) in the accelerometer signal due to patient activity. In another example, a pressure signal may be used to determine a change in ventricle pressure relative to time (dP/dt).

[000108] In some cases, the circuitry and/or processing module of the LCP 400 may also be configured determine an atrial contraction timing fiducial based at least in part upon two or more of a signal received from the electrical sensing module, mechanical sensing module, and/or communication module. In some cases, the electrical cardiac signal received via the electrode arrangement 410, 412 may include at least a portion of an electrocardiogram (ECG). In some cases, the electrical cardiac signal received via electrode arrangement 410, 412 may include a P-wave. In some instances, the electrical cardiac signal received via the electrode arrangement 410, 412 may include a QRS complex, from which a QRS width can be determined. In some cases, the electrical cardiac signal received via electrode arrangement 410, 412 may include two consecutive R waves, from which an R-wave to R-wave interval can be determined. In some cases, the electrical cardiac signal may include a conducted or other communicated electrical signal from another device (e.g. SICD device) that includes an indication of an atrial or other contraction of the heart H. In some cases, the processing module and/or circuitry

may be configured to generate and deliver a ventricle pacing pulse using the atrial contraction timing fiducial.

[000109] It is contemplated that the use of sensors to determine an atrial contraction timing fiducial without having to detect the A-wave may allow the LCP 100, 400 to predict or recognize when an A-wave likely occurred, even when the A-wave itself was not detected. The predicted time of the A-wave may then be used as an atrial contraction timing fiducial for pacing the ventricle. The A-wave may be particularly difficult to detect when, for example, the heart is experiencing atrial fibrillation, a patient is in certain postures, the respiration rate is high, the patient activity is high, the heart rate is high, the atria are hypocontractile or akinetic, and/or during periods of high heart rate variability (HRV).

[000110] In the cardiac cycle, the ventricles receive blood from the atria first through passive filling and then through active filling. Discussion of passive and active filling will be described with reference to a right side of the heart, however, it should be understood that a similar process is occurring in the left side of the heart. Passive filling of the right ventricle begins when there is a pressure gradient between the chambers causing the tricuspid valve to open and blood accumulated in the right atrium to flow into the right ventricle. Both the right atrium and the right ventricle continue to fill as blood returns to the heart. The right atrium contracts near the end of ventricular diastole. Atrial depolarization begins at the P-wave of the electrocardiogram. As a result of the P-wave, atrial cells develop tension and shortening causing the atrial pressure to increase (e.g. A-wave). These active contraction forces force additional volumes of blood into the ventricle (often referred to as the “atrial kick”). The active contraction forces begin the active filling phase. At normal heart rates, the atrial contractions are considered desirable for adequate ventricular filling. As heart rate increases, atrial filling becomes increasingly important for ventricular filling because the time interval between contractions for filling becomes progressively shorter. Atrial fibrillation and/or asynchronized atrial-ventricular contractions can result in a minimal contribution to preload via atrial contraction.

[000111] As described above, the fourth heart sound (e.g., S4) is typically a gallop sound that results from a forceful atrial contraction during presystole that ejected blood into a ventricle which cannot expand further. The fourth heart sound occurs during the

last one-third of diastole about 90 milliseconds before S1. The frequency of S4 may be in the range of about 15 Hertz (Hz) to about 30 Hz, although the frequency may sometimes be outside this range. Due to the low pitch, S4 (and sometimes S3) are usually not audible with a typical stethoscope. It is contemplated that the S4 heart sound may be used to identify the start of active filling of the ventricle. In some cases, the processing module 110 and/or circuitry may be programmed to begin looking for the S4 heart sound just before the S1 heart sound is expected (projected from one or more previous heart beats).

[000112] The heart sounds may be time dependent on the heart rate in manner that changes linearly with the heart rate. For example, as the heart rate increases, the time between the heart sounds (e.g. S1 to S1; S4 to S1, etc.) may decrease in a linear and predictable manner. This may allow the S4 heart sound to be used to identify a reliable atrial event and/or as an atrial timing fiducial over a range of heart rates.

[000113] As noted above, the S4 heart sound may be identified and/or detected using a variety of different sensors, including but not limited to a higher frequency pressure sensor (e.g. 15 to 30 Hz), a hydrophone, a microphone, and/or an accelerometer. These are just some examples of how the LCP 400 can detect an artifact during active ventricular filling and identify an atrial timing fiducial based on the detected artifact.

[000114] While the above example was described with respect to active filling, it is contemplated that an artifact identified during passive filling may also be used to identify an atrial event which may then be used to identify an atrial timing fiducial. For example, the third heart sound (e.g., S3) occurs near the middle of passive filling. Passive filling may generate a very low frequency sound (in the range of 0 to 10 Hz) which may be detected by a DC capable pressure sensor. This may allow the S3 heart sound to be used to identify an atrial event and/or as an atrial timing fiducial over a range of heart rates.

[000115] Figure 10 is a flow diagram showing an illustrative method 500 of generating a ventricular pulse using an LCP that is disposed with the right ventricle. In some cases, as indicated at block 502, a first signal (e.g., an atrial artifact) indicating an atrial event of a patient's heart may be sensed with a sensing module of the LCP. A second different signal related to the atrial event of the patient's heart may also be detected, as indicated at block 504. The second different signal may be sensed by the LCP, or may be received

from another device (e.g. an SICD or another LCP) via a communication module of the LCP.

[000116] In some instances, the first signal and/or the second signal may be generated via one or more sensors within or on the housing the LCP. As described above, the sensing module of the LCP 400 may sense different events depending on whether attempting to identify active filling or passive filling (see Figure 7). Some illustrative sensing modalities for sensing active filling may include, but are not limited to impedance, strain, sound, rotation, or flow, any or all of which may be used to detect at least one of a P-wave, S2 heart sound, S3 heart sound, ventricular volume, ventricular wall dimension, ventricular blood movement, ventricular wall movement, tricuspid valve position, mitral valve position, and/or akinetic ventricular pressure. Some illustrative sensing modalities for sensing passive filling may include, but are not limited to pressure, impedance, strain, sound, rotation, acceleration, voltage, and flow, which may be used to detect at least one of a P-wave, A-wave, S1 heart sound, S4 heart sound, ventricular volume, ventricular wall dimension, cardiac tissue vibration, ventricular blood movement, ventricular wall movement, tricuspid valve position, and mitral valve position.

[000117] The circuitry within the LCP 400 may be configured to determine an atrial timing fiducial based at least in part on the first and/or second sensed signals, as indicated at block 506. For example, the circuitry may be configured to determine when the A-wave occurs based on a sensed S4 heart sound and/or other atrial artifact. This is just one example. Those skilled in the art will recognize that any number of artifacts (or combinations thereof) can be used to determine an atrial timing fiducial. The circuitry may be configured to then generate and deliver a ventricular pacing pulse using the determined atrial timing fiducial, as indicated at block 508. The control circuitry may delay delivering a pacing pulse to the ventricle until an appropriate AV delay expires after the determined atrial timing fiducial. Notably, a different AV delay may be used for different atrial timing fiducials (see Figure 14).

[000118] While the control timing of the pacing pulse may be triggered by an atrial timing fiducial that is based on arterial artifacts detected during a single heart beat, it is contemplated that the pacing pulse may be triggered by an atrial timing fiducial that is

based on arterial and/or other artifacts detected during two or more previous heart beats. In some cases, the LCP may determine an average timing for a particular atrial artifact and/or atrial timing fiducial over multiple heart beats.

[000119] The circuitry of the LCP may further be configured to determine intrinsic intervals within the cardiac cycle. This capability may be provided within the control circuitry or provided as a separate interval determination module in the LCP. In some cases, the circuitry may be configured to identify intrinsic intervals including atrial to atrial event or artifact intervals, atrial to ventricle event or artifact intervals, ventricle to atrial event or artifact intervals, and/or ventricle to ventricle event or artifact intervals. This information may be useful in predicting when, for example, an atrial event (e.g. A-wave) is expected to occur. This may be useful in, for example, confirming an atrial event that is sensed by the LCP. This may also be useful in identifying a window of time around which an atrial event is expected, such that the LCP may increase amplification and/or add special filtering and/or signal averaging (e.g. see Figure 11) to help identify the atrial event during the window.

[000120] In some cases, the sensing module of the LCP may be configured to manipulate the signal prior to identifying an atrial event. For example, the sensing module may include one or more filters for filtering a signal. In some cases, the filter may include a first filter for passing a first frequency band, a second filter for passing a second frequency band, and a third filter for passing a third frequency band. The filter may include more than three frequency bands or fewer than three frequency bands, as desired. In some cases, the filter may be band-pass filter, a low pass filter, a high pass filter, and/or any other suitable filter. In some cases, a band-pass filter may be in the range of 1 to 5 Hz. In other cases, a bandpass filter may be in the range of 15 to 30 Hz. In yet another example, the filter may be a low-pass filter in the range of 0 to 10 Hz. These are just examples; other frequency ranges can be used, as desired. Also, filters may be employed that are not based on frequency, but rather some other signal feature such as amplitude, phase, etc.

[000121] In some cases it may be desirable to limit the time frame in which the LCP 400 is looking for an atrial artifact. For example, battery life may be increased when the circuitry is searching for an artifact only during a limited window or period of time that is

less than an entire cardiac cycle. The method for determining a time window for searching for an atrial artifact may include first identifying an expected time frame for the atrial event (e.g., atrial contraction) and then defining a search window accordingly.

Referring to Figure 11, to begin, the control module may select one or more signals with a desirable characteristic for a first timing fiducial signal to use as a time reference. The signal may be one or more of a pressure signal, an acoustic signal, an acceleration signal, an electrical signal, etc. It is contemplated that the fiducial signal may be a different signal from the signal used to identify an atrial artifact and hence an atrial event or atrial timing fiducial. In the example shown in Figure 12, the selected signal may be an ECG 554 generated from electrical signals in the right ventricle. Within the ECG 554, a specific feature, such as, but not limited to the R-wave may be selected as the fiducial reference feature 556. The ECGs 554 signals for a plurality of cardiac cycles (e.g., at least two or more) may be averaged, with the fiducial reference features 556 in each ECG 554 aligned. This signal averaging technique may help reveal small signals by canceling out random noise. The signal averaging technique may also be used to identify various cardiac events, atrial event templates, appropriate A-V delays for a variety of different atrial timing fiducials (e.g. A-wave, P-wave, R-wave, and/or other atrial timing fiducial).

[000122] A window 560 where an atrial event is expected to occur can then be isolated. For example, an atrial event (e.g., atrial contraction) may be expected to occur within a time window 560 before the next R-wave. Using this time window 560, the LCP may search for the atrial event. In some cases, the LCP may increase amplification and/or add special filtering and/or signal averaging to help identify the atrial event during the time window 560. In some case, the window 560 can be used as a reference point for determining another window in which another signal should be recorded and searched to identify an atrial artifact from which an atrial event can be deduced.

[000123] In some cases, the timing window for identifying an atrial contraction may be based on artifacts occurring during passive filling of the ventricle. In some cases the down-stroke of the ventricular pressure (e.g., when the A-V valve opens) may be used to open a timing window for detecting an atrial artifact and/or atrial contraction. An upslope in ventricular pressure may trigger an open sensing window to detect the atrial kick. Figure 12 illustrates a portion of the pressure profile 600 of the right ventricle

relative to the S3 and S4 heart sounds. The right ventricle may have an increase in pressure at the start of systole. The pressure may decrease as blood exits the ventricle. This sharp decrease in pressure may signal the control module to open a search window. For example, the search window may be opened in the general time frame indicated by box 602. This may command the control module to begin searching for an atrial artifact that may be used to start a timing window. The timing window 604 may open at the S3 heart sound 606 and close at the R-wave 608. The S4 heart sound and the atrial kick may occur within this timing window, as shown. It is contemplated that the control module may utilize automatic gain control to increase the sensitivity (e.g., reduce the threshold and/or increase the gain) over the period of the timing window to help increase the sensitivity when the expected event (e.g., atrial kick) is expected to occur.

[000124] In another example, the S2 heart sound may be used to identify the start of passive filling. It is contemplated that a pressure sensor in the LCP may be used to detect the pressure change associated with the atrial kick, or any of the atrial artifacts identified herein can be used either alone or in combination with the atrial kick as the atrial timing fiducial. The LCP 100, 400 can then pace the ventricle based off of the artifact, the atrial kick or a combination thereof. In another example, ventricular impedance may be used to identify volume changes in the ventricle, which may then be used to infer a pressure wave due to the atrial contraction. In another example, one or more atrial artifacts may be used to identify the end of passive filling for hemodynamic optimization. For example, passive filling may typically be completed approximately 500 milliseconds after the S2 heart sound. In yet another example, the timing window may be open between the S3 and S4 heart sounds. In some cases, the control module of the LCP may set a decreasing signal threshold to allow smaller signals to reach the input amplifier after the S3 heart sound in order to increase the signal. In some cases, the control module may be configured to run a continuous integration of the pressure signal as a surrogate for pressure, which may then be used to create a timing window. It is contemplated that changes in ventricular filling and/or pressures over time may be used to pick up respiration signals that may be used to support other features of the LCP 100, 400. These are just some examples of how atrial artifacts can be detected by an LCP within the

ventricle, which can then be used to identify an atrial timing fiducial for use in timing delivery of a pacing pulse to the ventricle.

[000125] It is contemplated that the control module of the LCP 100, 400 may be configured to search for an atrial artifact and identify a search window in more than one manner. In some cases, pacing can cover up, hide, or otherwise distort atrial artifacts and may make them difficult to identify. It may be desirable to allow the LCP to enter a listening mode in which the control circuitry does not issue pacing commands. The listening mode may be for a predefined window of time during a cardiac cycle that is less than the entire cardiac cycle. This may allow the LCP 400 to identify an atrial event without hiding or covering up the atrial artifact of interest (e.g. the A-wave). In some cases, such as when the patient is not pacing dependent, pacing can be paused for a cardiac cycle or two when no atrial activity is detected in order to determine if pacing is covering the atrial artifact(s) of interest. If the patient is pacing dependent, the pacing rate may be slowed (period extended) to allow for a larger period of time to search for the atrial artifacts without a pacing pulse present. Once the atrial artifact has been identified, the LCP may use the artifact to control the timing of the pacing pulse for a one or more cardiac cycles. In the event that an atrial artifact is not found, the LCP may return to its original pacing rate. In some cases, the LCP may be configured to pause or delay pacing and look for an atrial artifact and/or event on a predetermined time schedule.

[000126] It is further contemplated that in the event that the atrial artifact is not found the control module may be configured to deliver a pacing therapy at an altered pacing rate. In an example, the altered pacing rate may be less than the pacing rate delivered while atrial events are detected. In another example, the altered pacing rate may be greater than the pacing rate delivered while atrial events are detected. In a further example, the altered pacing rate may be static (e.g., remain constant) during the time there is a failure to detect atrial events. In yet another example, the altered pacing rate may be dynamic (e.g., change) during the time there is a failure to detect atrial events.

[000127] In another example, the control module may be configured to switch to a pacing only mode (in some cases a VOO mode). In this example, the control module may be configured to analyze the inputs received from the various sensor modules to determine if some sensors are providing a clearer signal than others. The control module

may be configured to prioritize which sensor module is used to search for an atrial artifact and/or event before re-entering VDD mode. When in VOO mode, it may be desirable to pace off of the P-wave. However if this is not possible, it may be desirable to open a timing window based on other sensors including, but not limited to, pressure sensors and/or accelerometers to identify an atrial contraction. It is contemplated that the control module may be configured to switch between sensing modes and pacing modes as needed.

[000128] The control module may be configured to determine a quality threshold for a timing window, which may reflect the quality of the atrial artifact signal identified during the timing window. For example, the control module may be configured to analyze or grade a current A-wave timing window. If the current A-wave timing window does not meet certain quality metrics (e.g. percent of cardiac cycles in which an A-Wave is detected, the signal-to-noise ration of the detected A-wave signal, etc.), the control module may discard the window and use a previous window or calculate a new timing window. In some cases, the control module may prioritize one type of atrial artifact over another based on the quality of the detected signal.

[000129] As described above, the LCP 100, 400 may use different atrial and/or ventricle artifacts to determine when to search for an artifact and when to open the timing window. The LCP 100, 400 may include a sensing module that includes at least two of a pressure measurement module, an acoustic measurement module, an acceleration measurement module, and an electrogram measurement module. In some cases, the sensing module may include at least a pressure measurement module and at least one of an acoustic measurement module, an acceleration measurement module, and an electrogram measurement module. In some cases, the control module may use a ventricular event such as the R-wave to identify when to start a search window. In some cases, the control module may use different search windows to identify atrial artifacts from different measurement modules. The control module may identify a window of time during each of one or more cardiac cycles in which an atrial artifact and/or atrial event is expected to occur. The window of time may be less than an entire cardiac cycle. The control module may analyze information gathered by the sensing module (e.g., using at least one of the pressure measurement module, an acoustic measurement module, an acceleration

measurement module, and an electrogram measurement module) to identify an atrial event (e.g., atrial kick). The control module may then deliver or command a pacing module to deliver a ventricular pacing pulse via the pacing electrodes of the LCP. The ventricular pacing pulse is delivered at a time that is based at least in part on the timing of the identified atrial event. For example, the pacing pulse may be delivered a predetermined length of time (e.g. A-V delay) after the identified atrial event. It is contemplated that the A-V delay that is used may depend on the particular atrial event that was identified. That is, different atrial events may cause different A-V delays to be applied.

[000130] The control module may be further configured to average the signals gathered from the sensing module in a similar manner to that described with respect to Figure 11. For example, the control module may be configured to use signal averaging of the signals gathered at the sensing module during each of a plurality of cardiac cycles to determine a signal average. The signal average may then be used to identify a window of time within a cardiac cycle. The identified window of time may then be used in subsequent cardiac cycles to search for and identify an atrial artifact and/or atrial event.

[000131] In some cases, the control module may be configured to move the window of time to search for an atrial artifact and/or atrial event. For example, if one of measurement modules of the sensor module is providing a better signal (e.g. better SNR), the control module may base the window around the detected artifact with a clearer signal. As the artifacts can occur at varying time points within the cardiac cycle, the window may be moved accordingly, sometimes cycle-to-cycle. The control module may be configured to select which measurement module to use dynamically or on a case to case basis.

[000132] In some cases, the control module may use different quality measurements to determine which measurement module to use. For example, the control module may select the measurement module with a better Signal-to-Noise Ratio (SNR). In another example, a p-wave detecting atrial activation by an electrogram measurement module may have a higher priority than a pressure signal detecting an atrial kick by a pressure measurement module. However, due to the inability of a ventricle only configuration to reliably sense a P-wave, the LCP may not rely solely on the P-wave to identify an atrial

artifact and/or event. It may in fact, it may switch to detecting the A-wave when the P-wave is not available, and/or may use the A-wave to confirm the detection of a noisy P-wave. These are just examples.

[000133] In some cases, the control module may combine information gathered from more than one measurement module in identifying an atrial artifact and/or atrial event. For example, the control module may use both pressure data and electrocardiogram data in identifying an atrial artifact and/or event. In some cases, when data is used from two or more measurement modules, the data from each measurement module may be weighted differently (e.g., one may count more or be weighted more heavily than another). It is further contemplated that the control module may be configured to lengthen the window (e.g., make it longer) under certain conditions. For example, the window may not be long enough to identify an atrial artifact and/or event or a pacing pulse may be covering up the atrial event. In other cases, the window may be shortened (e.g., when noise is present, the noise may be reduced with a shortened window).

[000134]

[000135] As described herein, the timing intervals for both searching and pacing may be based on pressure and/or heart sound fiducials (as well as other atrial artifacts described herein) as opposed to basing the intervals off solely of an electrocardiogram. Figure 13 is a graph 650 of illustrative cardiac signals including heart sounds, right ventricular pressure, and an electrocardiogram. Figure 13 also shows various intervals between various artifacts of these signals. It is contemplated that a number of different artifacts or characteristics during a cardiac cycle can be used to form a number of different timing intervals. For example, there can be intervals that extend between two electrocardiogram signals (E-E) such as between an R-wave amplitude 670 of a first cardiac cycle and an R-wave amplitude 672 of the next cardiac cycle, as indicated at arrow 652. Another interval may be defined between two pressure signals (P-P), such as between an A-wave pressure 674 and a maximum systolic pressure 676 of the same cardiac cycle, as shown at arrow 654, or between a maximum systolic pressure 676 of a first cardiac cycle and an A-wave pressure 678 in the subsequent cardiac cycle, as shown at arrow 656. Another illustrative interval may be defined between two acoustic signals (A-A), such as between an S1 heart sound 680 and an S2 heart sound 682, as shown at

arrow 658, between an S2 heart sound 682 and an S3 heart sound 684 as shown at arrow 660, and/or between an S3 heart sound 684 and an S1 heart sound 686 of a subsequent cardiac cycle, as shown at arrow 662.

[000136] As illustrated in Figure 13, there can also be intervals defined between an electrocardiogram signal and a pressure signal (E-P), between a pressure signal and an electrocardiogram signal (P-E), between an electrocardiogram signal and an acoustic signal (E-A), between an acoustic signal and an electrocardiogram signal (A-E), between a pressure signal and an acoustic signal (P-A), and/or between an acoustic signal and a pressure signal (A-P). It is contemplated that any measurable parameter may serve as the beginning and/or end of an interval as desired, and the intervals are not limited to those explicitly described or shown in Figure 13.

[000137] Figure 14 is a graph 700 of illustrative cardiac signals including heart sounds, right ventricular pressure, and an electrocardiogram. Figure 14 also shows various intervals between various artifacts of these signals. As described herein, there can be a number of different intervals using various sensed parameters. Not only can there be various intervals from a sensed artifact to another sensed artifact, but also various intervals from a sensed artifact to a pacing pulse.

[000138] The E-E (R-wave to subsequent R-wave), A-A (S1 to subsequent S1), and P-P (max pressure to subsequent max pressure) intervals shown at 702 are three ventricular intervals. The E-E (P-wave to subsequent P-wave), A-A (S4 to subsequent S4), and P-P (atrial kick to subsequent atrial kick) intervals shown at 704 are three atrial intervals. These intrinsic same chamber intervals 706 have the same or roughly the same time interval between same sensed artifacts or events regardless of which parameter is used (e.g., R-wave to R-wave, S1 to S1, max pressure to max pressure). In contrast, intervals between chambers 708 vary substantially. As can be seen at 708 in Figure 14, atrioventricular (A-V) intervals vary significantly depending on which atrial event is selected for the atrial timing fiducial. An E-E (P-wave to R-wave) interval, A-E (S4 to R-wave), and P-E (atrial kick to R-wave) intervals shown at 708 are three illustrative atrioventricular (AV) intervals each having a different duration. The duration of each of these AV intervals can be sensed during one or more intrinsic heart beats (e.g. no pacing). In some cases, the duration of each of these intervals can be sensed during a plurality of

intrinsic heart beats (no pacing) and then averaged, resulting in an average AV interval for each of the different atrial timing fiducials as shown at 710.

[000139] As described above, a P-wave may not be consistently detected in a device implanted in the ventricle. As such, it may be desirable to time the ventricular pacing pulse (V_P) using a pressure artifact (e.g., a-wave or atrial kick) as the atrial timing fiducial along with a corresponding AV interval. In another example, it may be desirable to time the ventricular pacing pulse (V_P) using an acoustic artifact (e.g., S4) as the atrial timing fiducial along with a corresponding AV interval. The corresponding AV interval used with an acoustic artifact (e.g., S4) may be different than the AV interval used with a pressure artifact, as seen at 710 in Figure 14. In yet another example, it may be desirable to time the ventricular pacing pulse (V_P) using an electrical artifact (e.g., P-wave) as the atrial timing fiducial along with a corresponding AV interval, as seen at 712 in Figure 14. These are just examples. The LCP may dynamically switch between these and other atrial timing fiducials, depending on a number of factors such as the quality of the signals that are currently sensed. In some cases, an atrial timing fiducial may be determined from two or more cardiac artifacts, sometimes with one weighted more than the others.

[000140] The sensing module of the LCP 100, 400 may include one or more of a pressure measurement module and an acoustic measurement module. However, other measurement modules may be used as desired, including but not limited to, measurement modules that include suitable sensors for determining the artifacts described with respect to Figures 6 and 7. For example, the sensing module may further include an electrogram measurement module. As described herein, the sensing module may be configured to gather information suitable for determining one or more atrial timing fiducials. The information may include, but is not limited to, an atrial artifact such as any of those discussed with reference to Figures 6 and 7. In some cases, information gathered from one of the measurement modules may be used to determine a blanking interval for another measurement module.

[000141] In some cases, a pressure measurement module may detect or determine at least one of a maximum pressure (atrial or ventricular), a minimum pressure (atrial or ventricular), a mean pressure (atrial or ventricular), a pressure time integral (atrial or ventricular), and/or a pressure time derivative (atrial or ventricular). An acoustic

measurement module may detect or determine at least one of an S1 heart sound, an S2 heart sound, an S3 heart sound, and/or an S4 heart sound. An acceleration measurement module, if present, may detect or determine at least one of an S1 heart sound, an S2 heart sound, an S3 heart sound, an S4 heart sound, myocardial (e.g., heart wall) movement, patient activity and/or patient posture. These and other artifacts may be used as the basis for an atrial timing fiducial.

[000142] In some cases, it may be desirable for the LCP 100, 400 to be configured to operate in a number of different pacing modes. Some illustrative pacing modes may include, but are not limited to VDD, VDDR, VVI, VVIR, VOO, and VOOR. As used herein, the pacing modes use the North American Society of Pacing and Electrophysiology (NASPE) and British Pacing and Electrophysiology Group (BPEG) pacemaker codes as outlined in Table 1 below:

Position I	Position II	Position III	Position IV	Position V
{Chamber Paced}	{Chamber Sensed}	{Response to Sensed Event}	{Programmability, Rate Modulation}	{Multisite Pacing}
O = none	O = none	O = none		O = none
A = atrium	A = atrium	I = inhibited		A = atrium
V = ventricle	V = ventricle	T = triggered	O = none	V = ventricle
D = dual (A + V)	D = dual (A + V)	D = dual (T + I)	R = rate modulation	D = dual (A + V)

Miller RD. Miller's Anesthesia, 6th ed. Philadelphia: Elsevier, Inc, 2005, pp 1417.

Table 1. NASPE/BPEG Revised in 2002 NBG Pacemaker Code

A VDD device is a device pacing in the ventricle, sensing both the atrium and the ventricle, and using triggered and inhibited pacing.

[000143] It is contemplated that a right ventricle LCP 100, 400 using remote tracking of atrial activity such as described herein may automatically revert from one pacing mode to another, depending on one or more sensed conditions. The reversionary behavior may be desirable for safe operation and/or for enhancing the effectiveness of the pacing therapy. The control module may be configured to search for and identify conditions that may indicate a reversion is desirable. Some conditions may include, but are not limited to: an atrial artifact (e.g., atrial timing fiducial) occurring too close to the R-wave (or other ventricular fiducial); a hemodynamic response that indicates that the present pacing therapy is worse than another pacing therapy or no pacing therapy, either actual or

anticipated (due to one or more of posture, heart rate, respiratory rate, respiratory cycle, patient activity, physiological noise, environmental noise, etc.); continuous or intermittent loss of an atrial tracking artifact or fiducial; actual or anticipated continuous or intermittent loss of an atrial tracking artifact or fiducial due to search algorithms associated with reacquiring an atrial artifact or fiducial; a time period between adjacent atrial artifacts or fiducials being too short (e.g., due to over sensing caused by physiological or environmental noise or atrial tachyarrhythmia); and/or a ventricular interval being too short (e.g., due to over sensing caused by physiological or environmental noise or ventricular tachyarrhythmia). These are just some examples. Other events and conditions may be detected and cause reversionary behavior.

[000144] The LCP 100, 400 may experience or be configured to use different types of reversionary behavior based on the current conditions. In a first example, the control module may be configured to change pacing modes. In the event of a loss of an atrial timing fiducial, an atrial rate above a specified threshold, or atrial noise above a threshold, the LCP may be configured to automatically switch between VDD and VVI modes. In the event of ventricular noise being above a threshold, the LCP may be configured to automatically switch between VDD or VVI and VOO modes. In the event of a reduction in the hemodynamic signal, the LCP may be configured to automatically switch between VDD or VVI and OOO modes.

[000145] In an example LCP 100, 400 reverts to a VDI mode wherein the device continues to search and/or measure atrial artifacts but does not use any detected atrial artifacts to trigger ventricular pacing. If the LCP determines the atrial fiducial can be reliably determined the LCP reverts back to a mode that allows triggering of ventricular paces from the atrial fiducial (e.g. VDD mode).

[000146] In some cases, the control module may be configured to manipulate the tracking algorithm. For example, the control module may switch between continuous tracking and intermittent tracking with tracking estimate and search. In yet another example, the atrial timing fiducial signal may be reverted. In another example, the type of signal and/or portion of signal used to determine the atrial timing fiducial may be changed or switched. In yet another example, the atrial timing fiducial may be changed

from a first weighted average of two or more signals to a second different weighted average of the same or different two or more signals. These are just examples.

[000147] Figure 15 is a flow chart 800 of an illustrative method for determining whether the LCP 100, 400 should utilize reversion. The control module may continuously verify the current pacing mode is the best under the current conditions. If a reversion is needed, the control module may dynamically change the pacing mode (e.g., change on a beat-to-beat basis, if needed). The LCP 100, 400 may first deliver a pace, as shown at 802. After delivering the pace, the control module may check to see if the atrial artifact and/or event (e.g., atrial timing fiducial) was detected, as shown at 804. If the atrial timing fiducial was detected, the LCP 100, 400 may continue with its normal operational mode, which in some cases may be VDD tracking with the pacing occurring after the corresponding AV interval, as shown at 806. An exception may occur when the normal VDD tracking inhibits a pacing pulse due to preventricular contraction, as shown at 808. If the atrial timing fiducial was not detected or resolved, the LCP 100, 400 may enter a reversionary mode, as shown at 810. In some cases, in the reversionary mode, the LCP 100, 400 may enter a VDD pseudo tracking mode in which the LCP 100, 400 paces using an estimated atrial timing fiducial time. Other reversionary modes may be used as appropriate. The control module may be configured to select a ventricular pacing therapy and/or mode based at least in part on one or more of the tracked atrial artifacts/events. In some cases, a first ventricular pacing therapy may have a first pacing rate and the reversionary (or second) ventricular pacing therapy may have a second pacing rate different from the first. For example, the reversionary ventricular pacing therapy may extend the pacing rate to aid in the search for the atrial timing fiducial.

[000148] Figure 16 illustrates a comparison of pacing intervals on an electrocardiogram when the LCP 100, 400 is operating in a normal VDD mode 820 and pacing intervals on an electrocardiogram when the LCP 100, 400 is operating in a VDD pseudo tracking mode 830. As can be seen in the normal VDD mode 820, the control module is detecting an atrial timing fiducial 822, and using the appropriate AV delay 824, delivers the pacing pulse 826 at the appropriate time. The LCP 100, 400 will continue to operate in this manner unless conditions change that make VDD pacing unsafe or less desirable.

[000149] Figure 16 illustrates an example in which the control module of the LCP 100, 400 has determined that the atrial artifact/event 832 is missing or unreliable. The control module may then sense a ventricular event 834 (such as but not limited to the R-wave) and essentially use the ventricular event 834 as the atrial pacing fiducial for the next cardiac cycle. The control module may determine an appropriate AV interval 836, calculated using the ventricular intrinsic interval (e.g., R-wave to subsequent R-wave) minus a previously stored pace to R wave interval. In the example shown, starting at the sensed ventricular event 834, the pacing pulse 838 may be delivered at a time equal to the R-wave to R-wave intrinsic interval minus a percentage of the historical AV interval. It is contemplated that the percentage of the historical AV interval may be in the range of about 30 to 70%. Alternatively, a fixed time period, such as, but not limited about 200 milliseconds may be used in place of the percentage of the historical AV interval or a previously stored pace to R wave interval. The control module may then continue to pace using the R-wave to R-wave intrinsic interval 840 as the timing interval using the pacing pulse 838 as the timing fiducial until a suitable atrial timing fiducial is identified. If the control module fails to re-acquire a suitable atrial timing fiducial, the control module may command the device to enter a search mode in an attempt to detect an intrinsic atrial and/or ventricular event. This is just one example of a reversionary scenario.

[000150] The control module may be configured to determine the accuracy of the atrial timing fiducial by analyzing the effectiveness of the pacing therapy. In one example, the control module may use the upstroke (e.g., dP/dt or peak pressure) on sequential cardiac cycles to estimate the accuracy of the A-wave detection. If the LCP 100, 400 is pacing at an incorrect time due to an inaccurate atrial timing fiducial, passive filling may be reduced thereby reducing the dP/dt . Similarly, the control module may use an integrator to find the area under the pressure waveform, which may represent the filling volume of the ventricle, or impedance between the electrodes of the LCP may be used as an indication of ventricle volume. Poor filling volume may indicate an inaccurate atrial timing fiducial. In yet another example, the control module may be configured to search for edges using, for example a high-pass pole to create a differentiator to help identify a sub-par atrial timing fiducial. If the atrial timing fiducial is determined to be inaccurate, the LCP may revert to asynchronous pacing (e.g. VOO mode). Alternatively, if the

patient's intrinsic heart rate is high enough (e.g. 50 BPM), the LCP may revert to no pacing (e.g. OOO mode).

[000151] In addition to a first-order differentiator, higher-order differentiation could further provide better timing fiducials (e.g., more crisp) and other measures such as verification of signal quality. A third order time derivative of position is known as “jerk”, which is the change in acceleration with respect to time. Figure 17 illustrates a graph 900 of an illustrative relationship of higher order differentiation of a signal 902. The signal 902 could be any suitable signal including an egram, a pressure signal, an acceleration signal, or any other suitable signal. The change in pressure with respect to time may be considered the first derivative 904. The change in the first derivative 904 with respect to time may be considered the second derivative 906. The change in second derivative with respect to time may be considered as an equivalent to jerk 908 (or the third derivative). When the signal is a pressure signal, the inflections produced by an A-wave may give third order blips which could be used for timing or verifying a quality of the signal.

[000152] Those skilled in the art will recognize that the present disclosure may be manifested in a variety of forms other than the specific examples described and contemplated herein. For instance, as described herein, various examples include one or more modules described as performing various functions. However, other examples may include additional modules that split the described functions up over more modules than that described herein. Additionally, other examples may consolidate the described functions into fewer modules. Accordingly, departure in form and detail may be made without departing from the scope and spirit of the present disclosure as described in the appended claims.

CLAIMS:

1. A leadless cardiac pacemaker (LCP) configured to sense cardiac activity and to deliver pacing therapy to a patient's heart, the LCP comprising:
 - a housing;
 - a first electrode secured relative to the housing and exposed to the environment outside of the housing;
 - a second electrode secured relative to the housing and responsive to the environment outside of the housing;
 - a sensing module disposed within the housing and exposed to the environment outside of the housing, the sensing module configured to detect one or more atrial fiducials that are indicative of an atrial contraction;
 - a control module operatively coupled to the first electrode, the second electrode, and the sensing module, the control module is configured to:
 - track the one or more atrial fiducials over a plurality of cardiac cycles;
 - deliver a plurality of different ventricular pacing therapies to the patient's heart via the first electrode and the second electrode, wherein the control module selects which ventricular pacing therapy to deliver based, at least in part, on one or more of the tracked atrial fiducials.
2. The LCP of claim 1, wherein the plurality of different ventricular pacing therapies comprise two or more of VDD, VDDR, VVI, VVIR, VOO and VOOR.
3. The LCP of any one of claims 1-2, wherein the plurality of different ventricular pacing therapies comprise a first ventricular pacing therapy having a first pacing rate and a second ventricular pacing therapy having a second pacing rate different from the first pacing rate.
4. The LCP of any one of claims 1-3, wherein the control module is configured to dynamically select which ventricular pacing therapy to deliver based, at least in part, on one or more of the tracked atrial fiducials.

5. The LCP of any one of claims 1-4, wherein the sensing module is further configured to detect one or more ventricle fiducials that are indicative of a ventricle contraction, and the control module is configured to track the one or more ventricle fiducials over a plurality of cardiac cycles.

6. The LCP of claim 5, wherein the control module is configured to select which ventricular pacing therapy to deliver based, at least in part, one or more of the tracked atrial fiducials and one or more of the tracked ventricle fiducials.

7. The LCP of claim 6, wherein the control module is configured to change from a first ventricular pacing therapy to a second ventricular pacing therapy when a predetermined one of the tracked atrial fiducials comes to close in time to a predetermined one of the tracked ventricle fiducials.

8. The LCP of any one of claims 1-7, wherein the one or more atrial fiducials comprise one or more of an electrical p-wave, a pressure a-wave, an acoustic S1 sound, an acoustic S2 sound, an acoustic S3 sound, an acoustic S4 sound, an indication of ventricular volume, an indication of ventricular wall thickness, an indication of cardiac tissue vibration, and indication of tricuspid valve position.

9. The LCP of any one of claims 1-8, wherein the sensing module is configured to detect two or more atrial fiducials that are indicative of an atrial contraction, and wherein the control module is configured to select which ventricular pacing therapy to deliver based, at least in part, on a selected one of the tracked atrial fiducials.

10. The LCP of any one of claims 1-8, wherein the sensing module is configured to detect two or more atrial fiducials that are indicative of an atrial contraction, and wherein the control module is configured to select which ventricular pacing therapy to deliver based, at least in part, on two or more of the tracked atrial fiducials.

11. The LCP of any one of claims 1-10, wherein the control module continuously tracks the one or more atrial fiducials over a plurality of cardiac cycles.
12. The LCP of any one of claims 1-10, wherein the control module intermittently tracks the one or more atrial fiducials over a plurality of cardiac cycles.
13. The LCP of any one of claims 1-12, wherein the control module is configured to switch from delivering a first ventricular pacing therapy to a delivering second ventricular pacing therapy when the control module can no longer track one or more of the atrial fiducials.
14. The LCP of claim 13, wherein the control module enters a search mode to attempt to re-acquire the one or more of the atrial fiducials that can no longer be tracked.
15. The LCP of any one of claims 1-14, wherein the sensing module comprises one or more of a pressure measurement module and an acoustic measurement module.

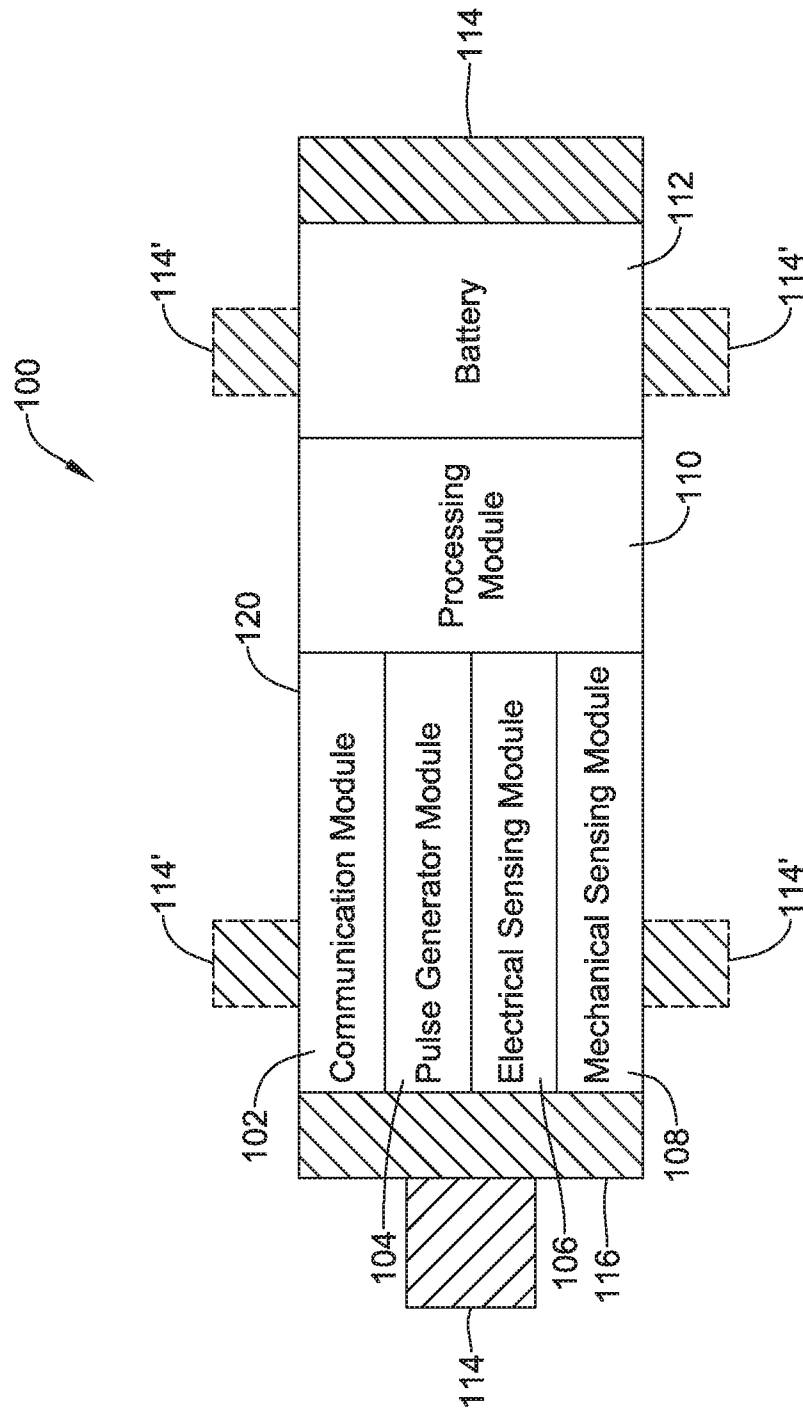


FIG. 1

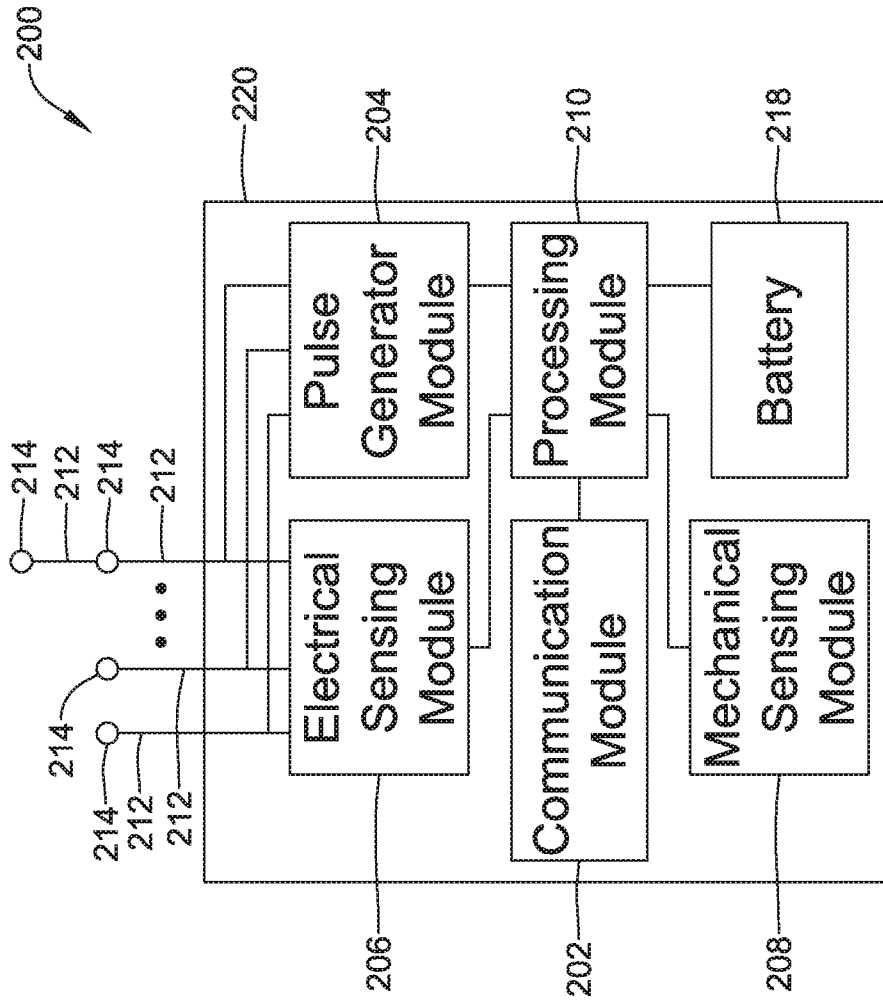


FIG. 2

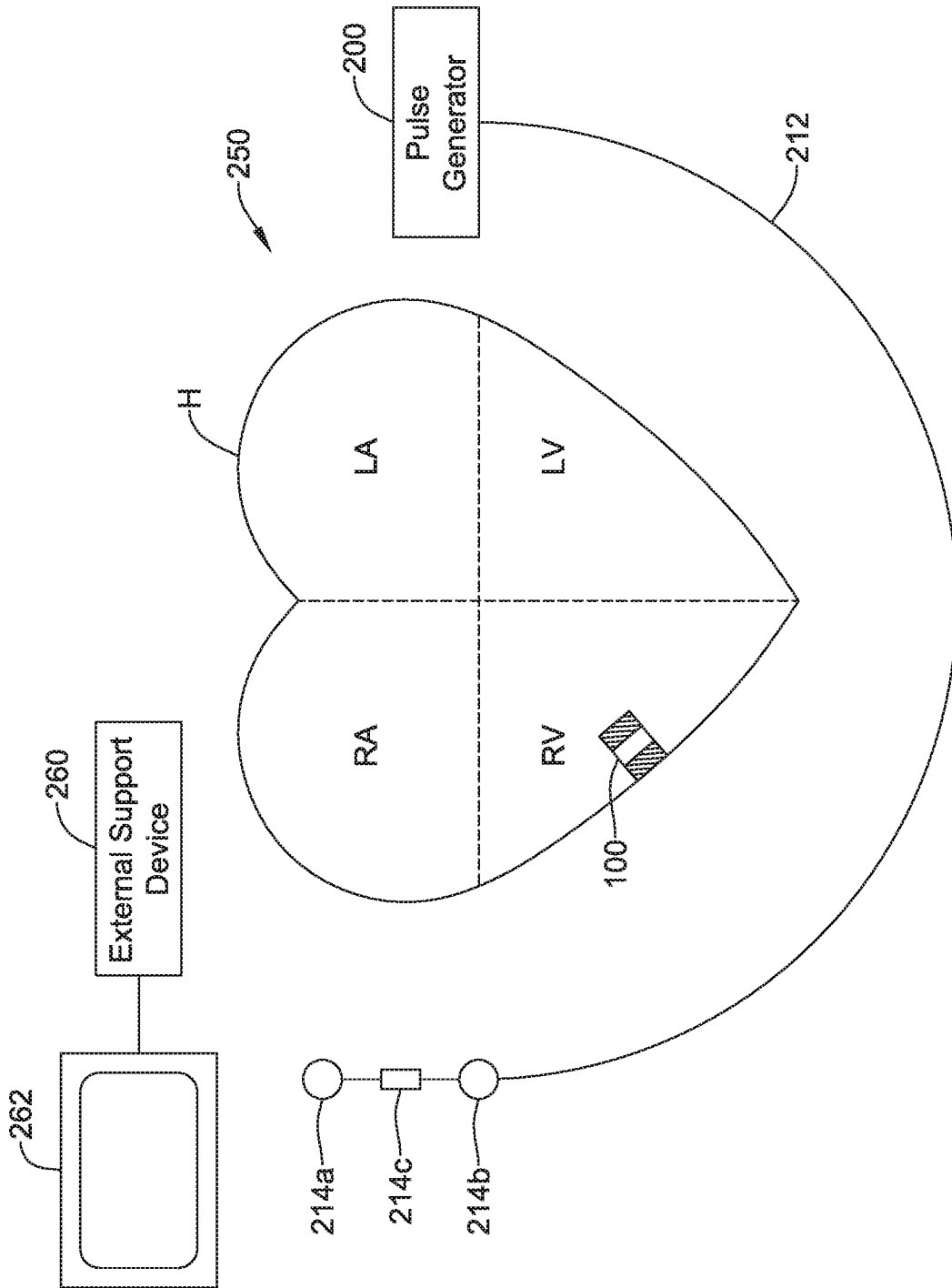


FIG. 3

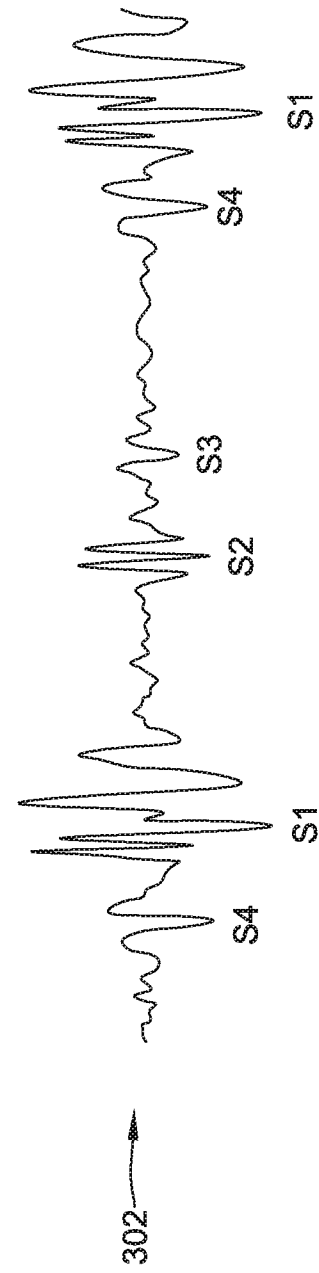
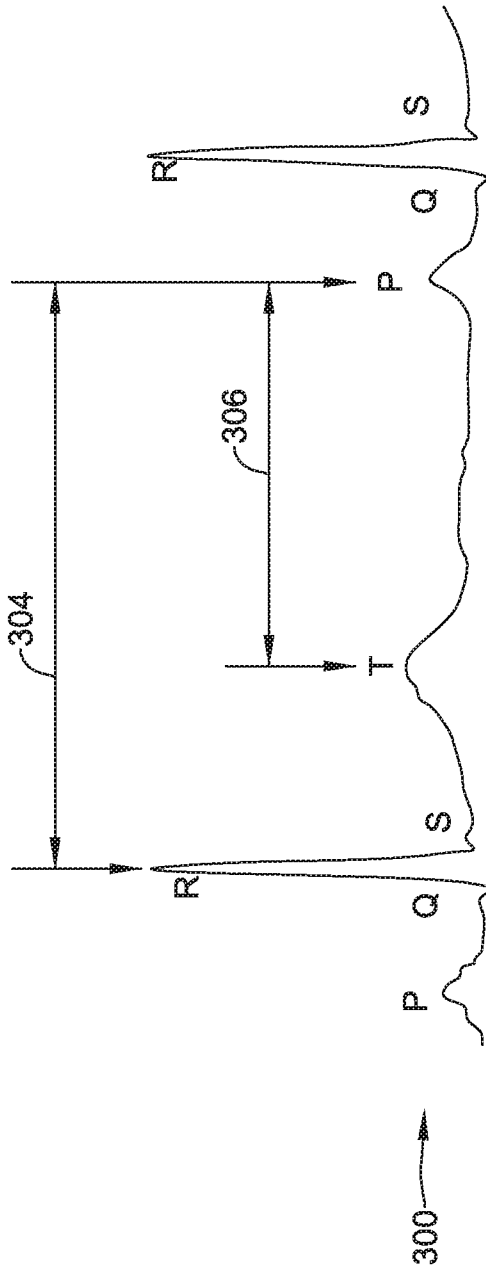


FIG. 4

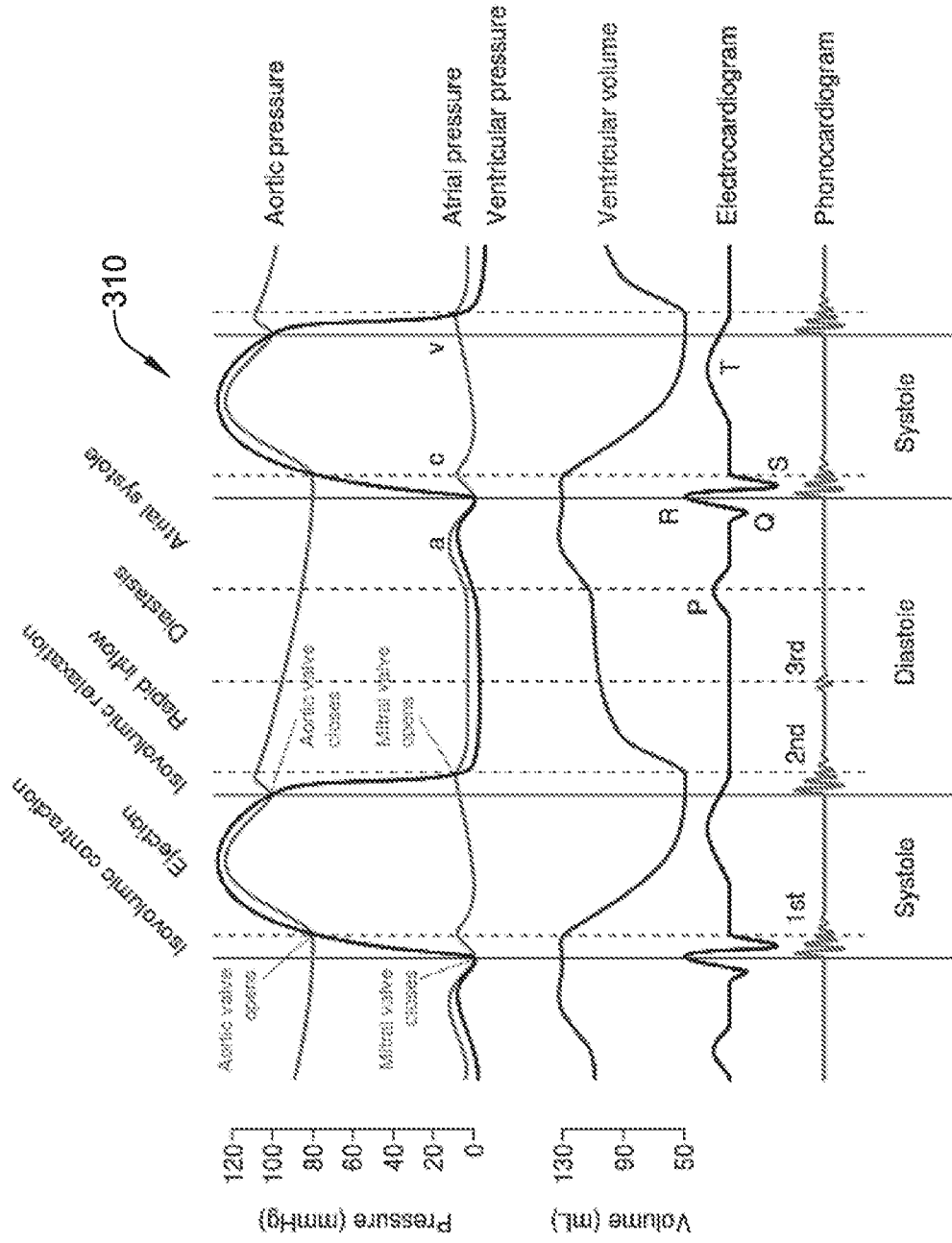


FIG. 5

320

Sensor Modality		Measured Artifact													
		P Wave	A Wave	S1	S2	S3	S4	Ventricular Volume	Ventricular Wall Dimension	Cardiac Tissue/ Blood Vibration	Atrium to Ventricle Blood Movement	Ventricular wall / AV Valve Position	Akinetic Pressure	Ventricular Twist	
Voltage	X														
Pressure		X	X	X	X								X		
Sound		X	X	X	X										
Ultrasound						X		X			X				
Impedance						X									
Strain								X							
Acceleration		X	X	X	X				X						
Flow											X				
Rotation															X

FIG. 6

330

		Measured Artifact													
		P Wave	A Wave	S1	S2	S3	S4	Ventricular Volume	Ventricular Wall Dimension	Cardiac Tissue/ Blood Vibration	Atrium to Ventricle Blood Movement	Ventricular wall / AV Valve Position	Akinetic Pressure	Ventricular Twist	
Cardiac Phase	Passive Ventricular Filling	X			X			X			X		X		
	Active Ventricular Filling	X	X			X		X		X		X			

FIG. 7

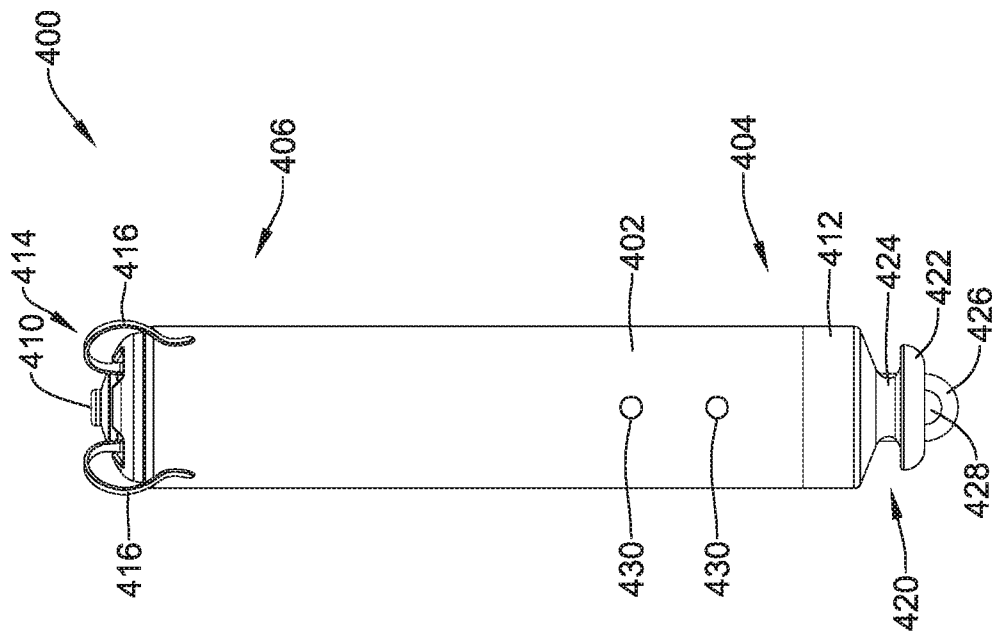


FIG. 8

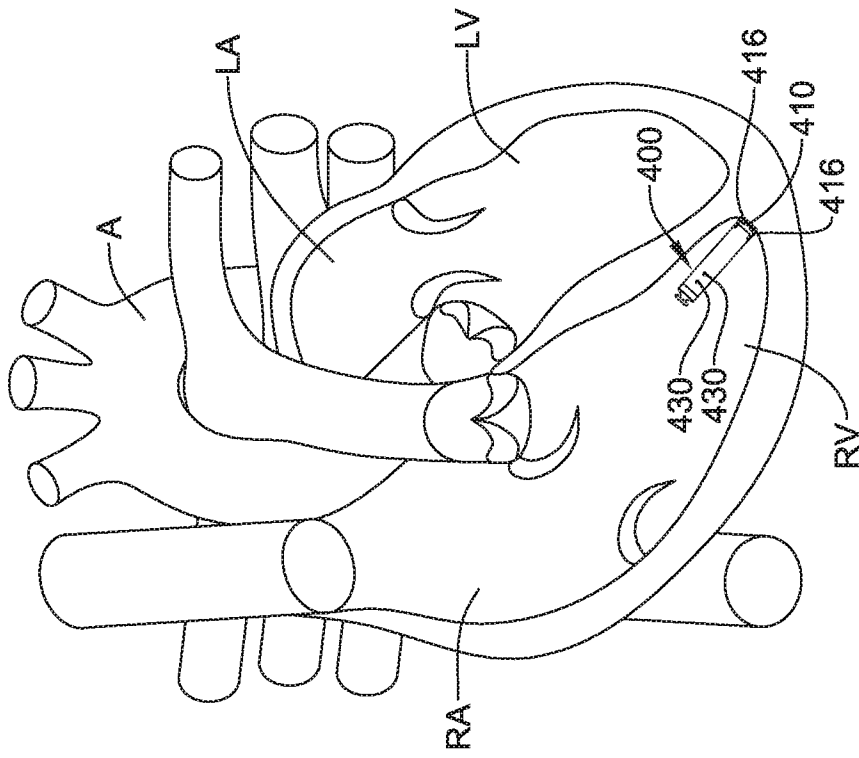


FIG. 9A

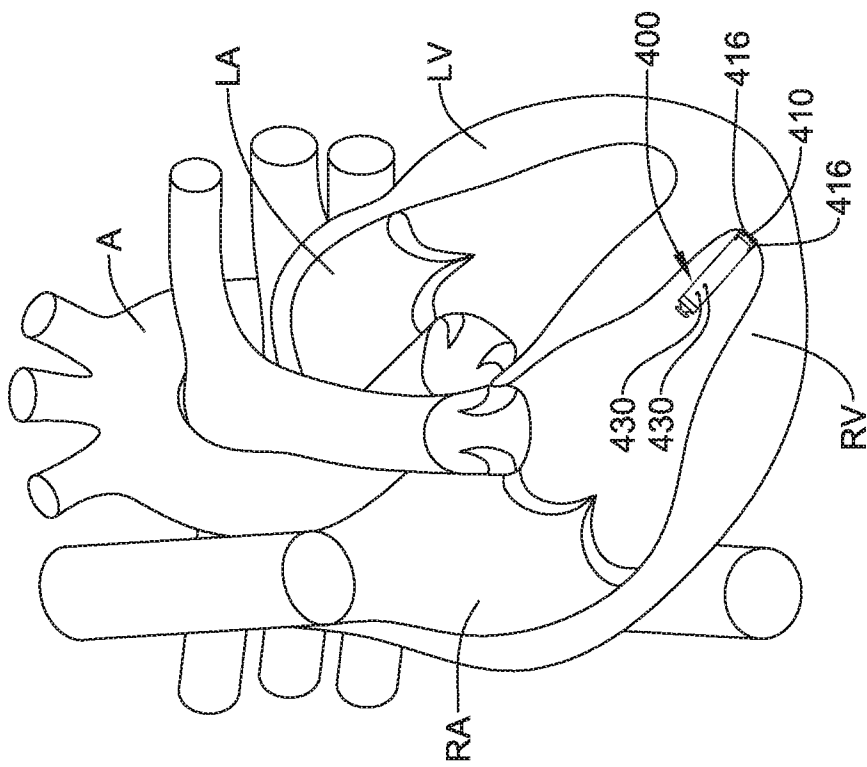


FIG. 9B

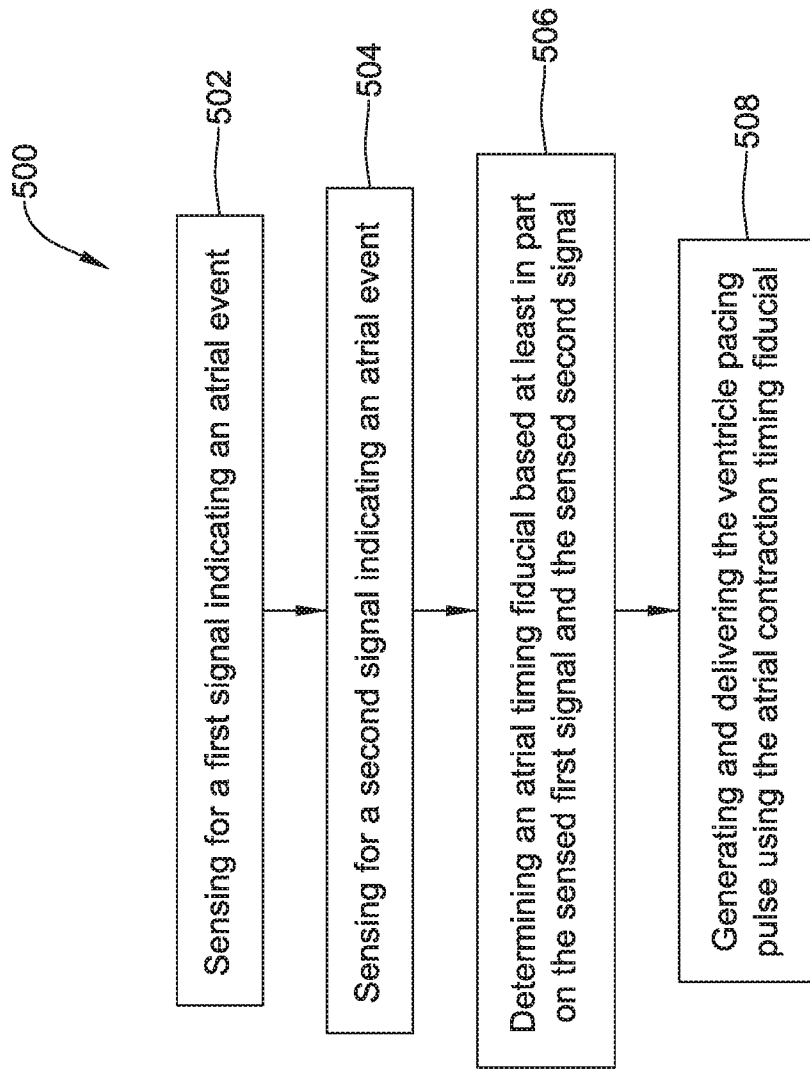


FIG. 10

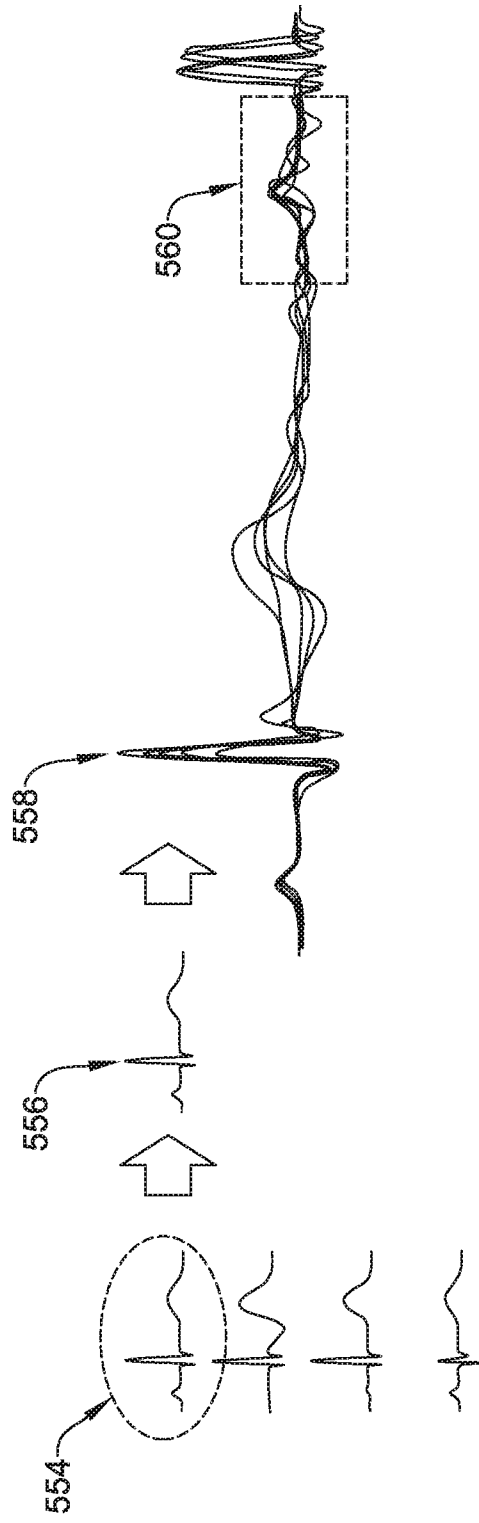


FIG. 11

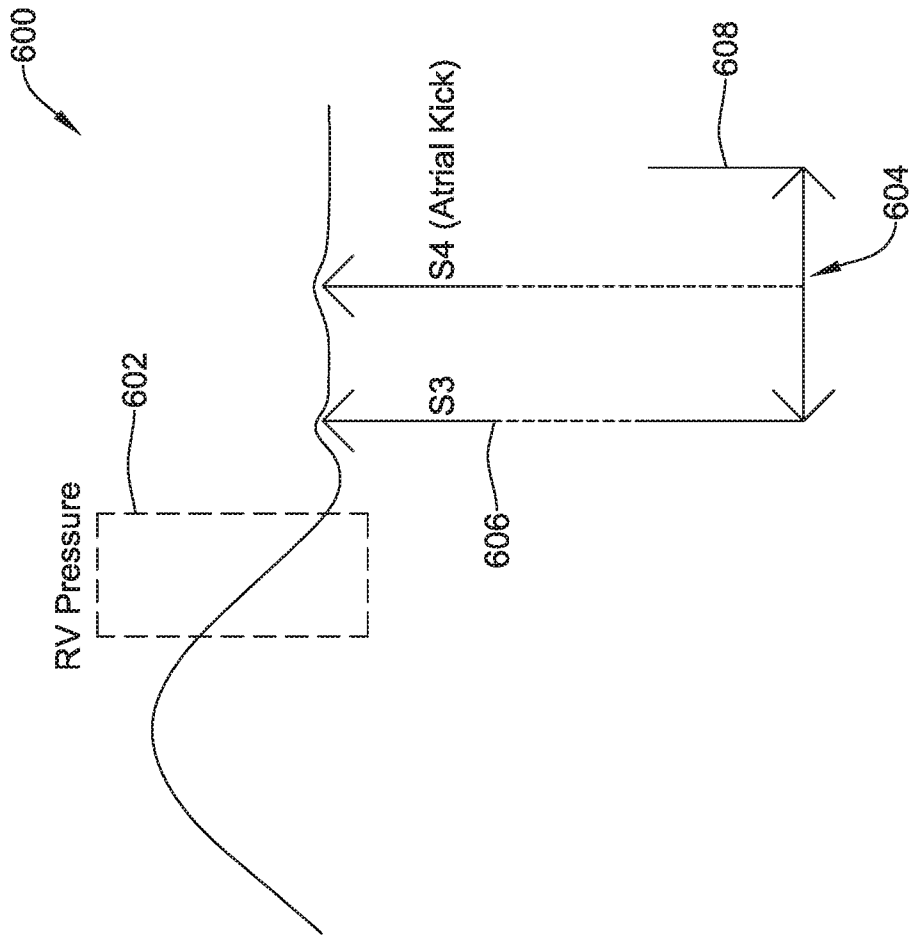


FIG. 12

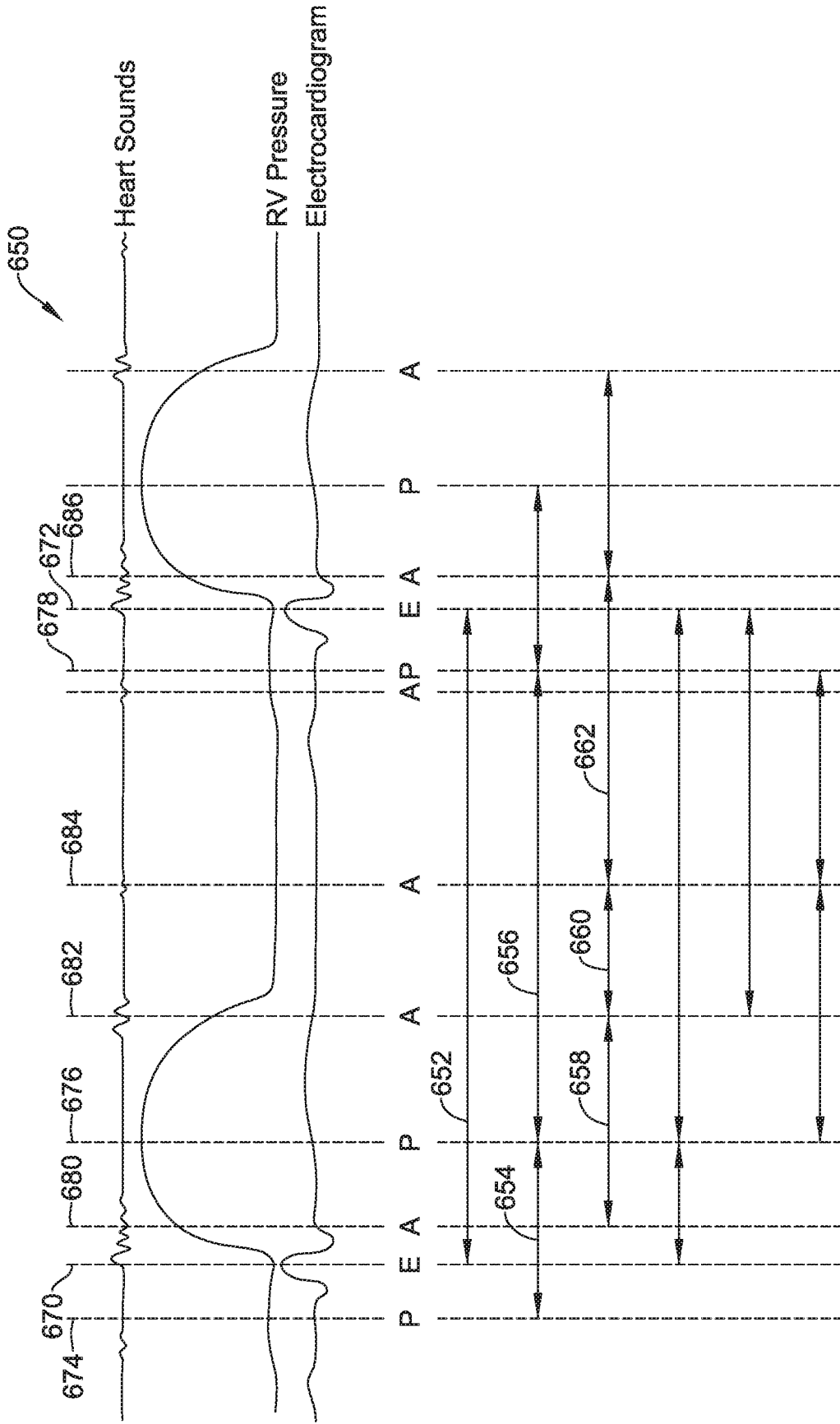


FIG. 13

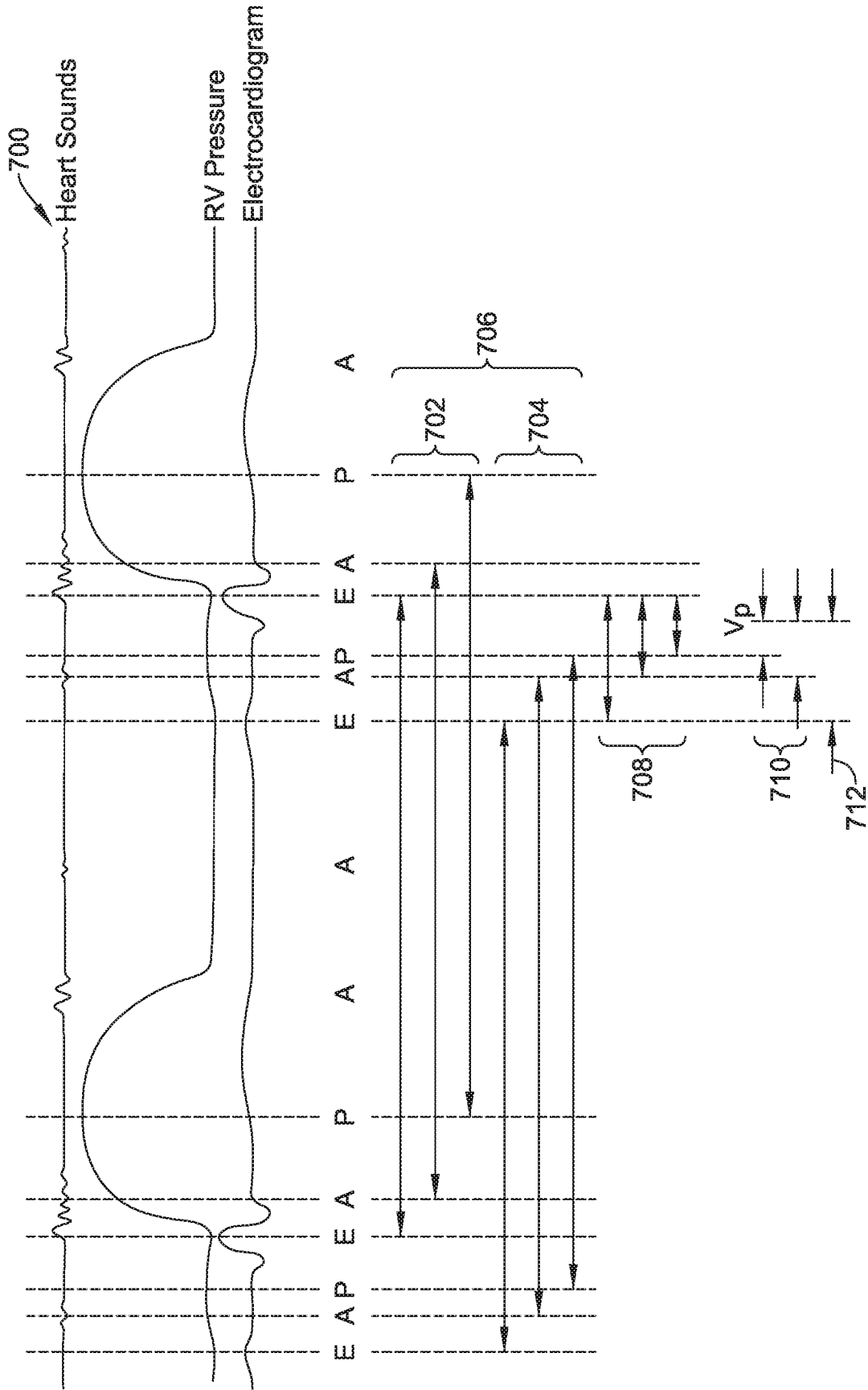


FIG. 14

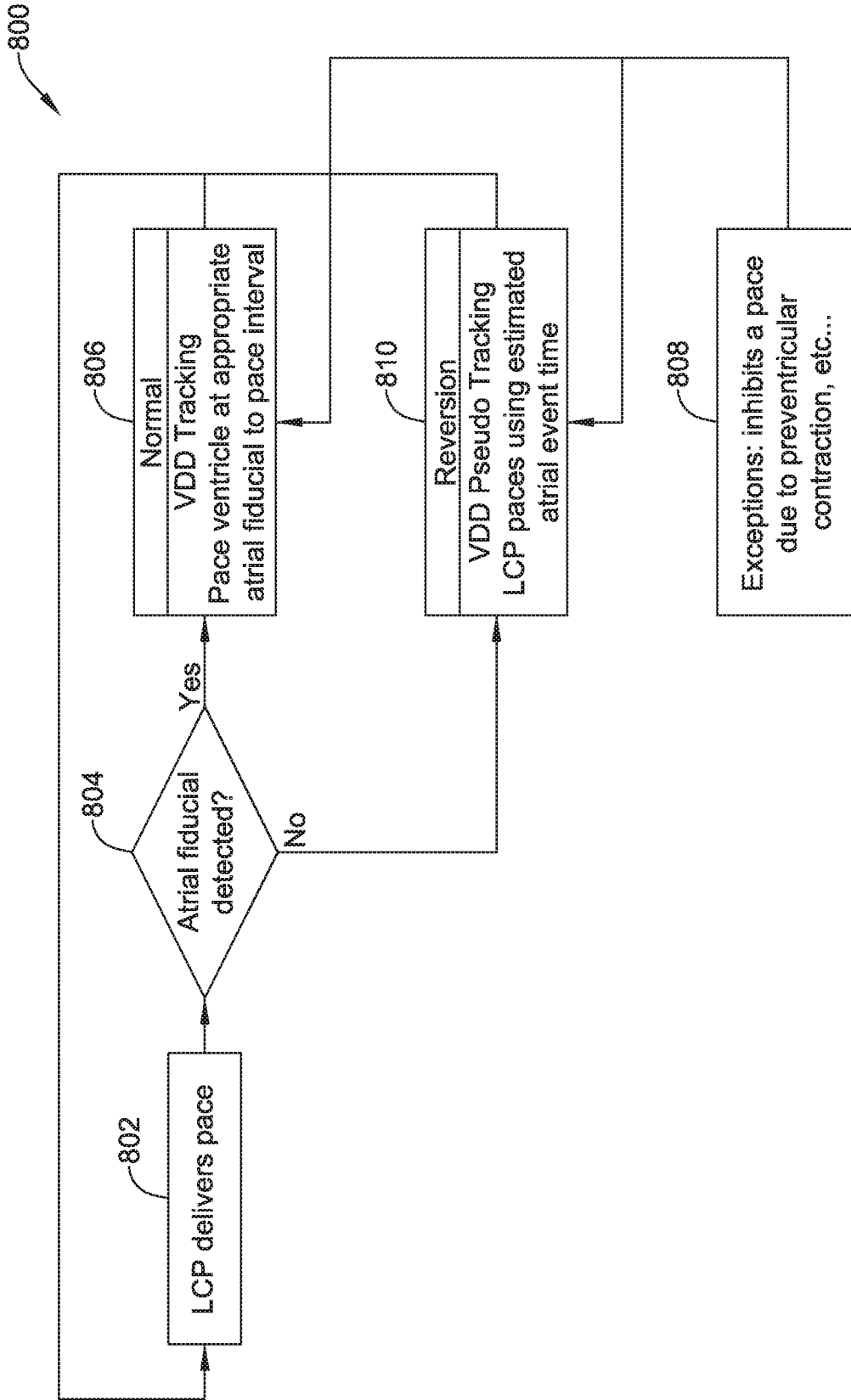


FIG. 15

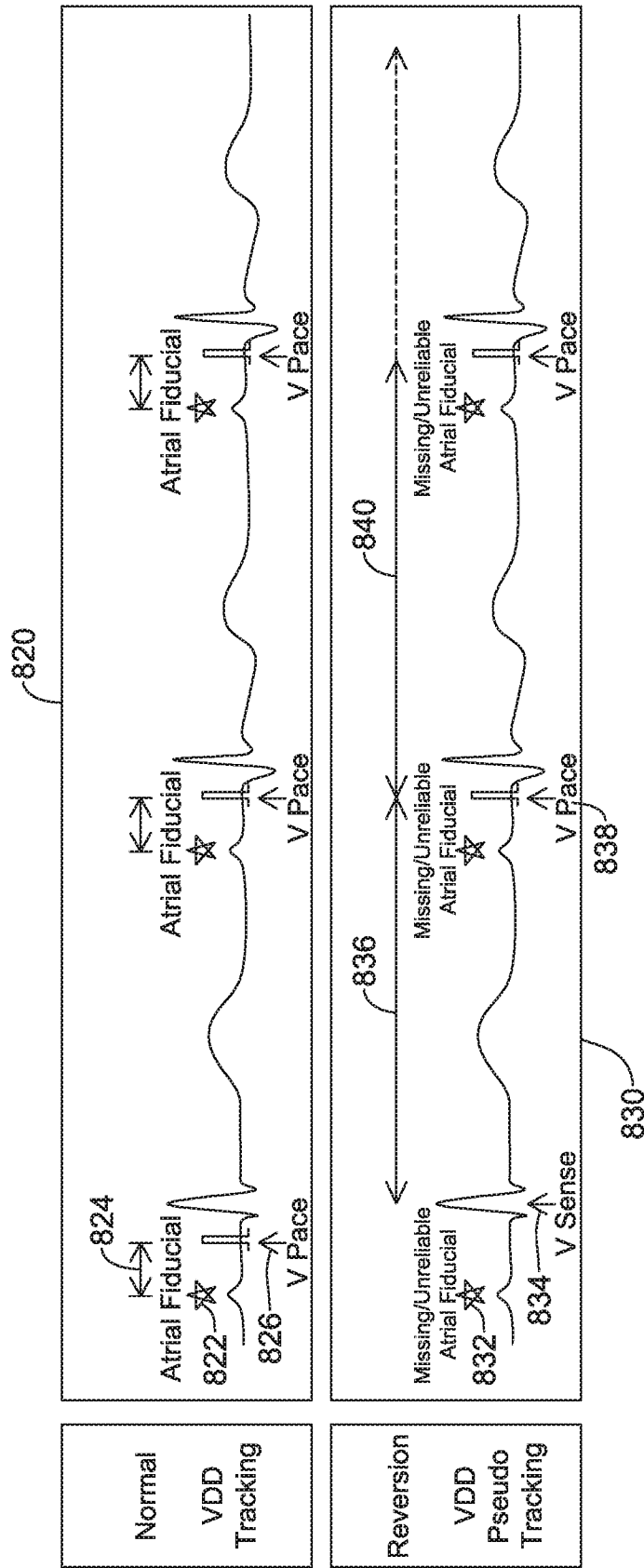


FIG. 16

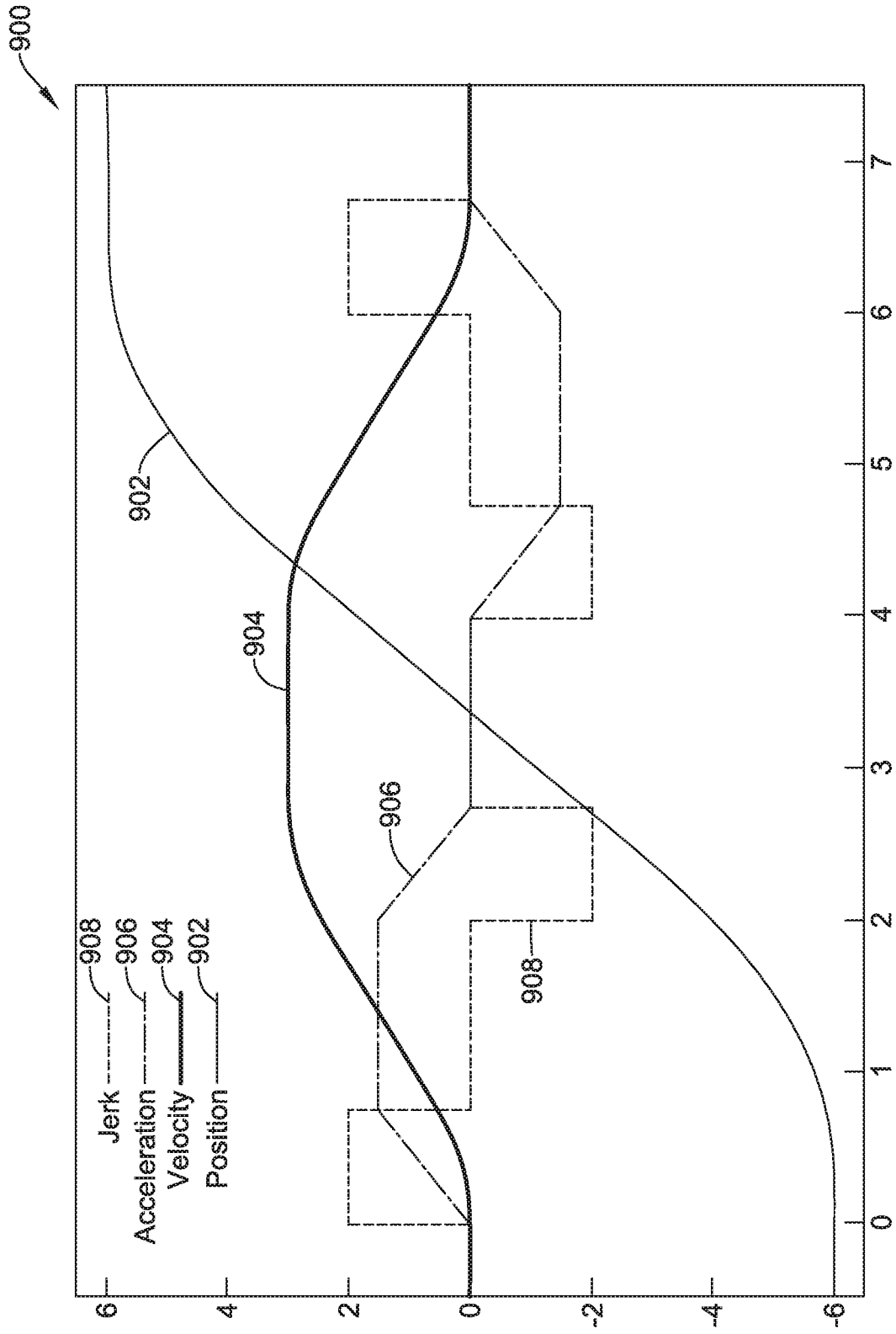


FIG. 17

INTERNATIONAL SEARCH REPORT

International application No
PCT/US2018/063122

A. CLASSIFICATION OF SUBJECT MATTER
INV. A61N1/372 A61N1/375 A61N1/362 A61N1/365
ADD.
According to International Patent Classification (IPC) or to both national classification and IPC

B. FIELDS SEARCHED
Minimum documentation searched (classification system followed by classification symbols)
A61N

Documentation searched other than minimum documentation to the extent that such documents are included in the fields searched

Electronic data base consulted during the international search (name of data base and, where practicable, search terms used)
EPO-Internal, WPI Data

C. DOCUMENTS CONSIDERED TO BE RELEVANT

Category*	Citation of document, with indication, where appropriate, of the relevant passages	Relevant to claim No.
Y	US 2016/023000 A1 (CHO YONG K [US] ET AL) 28 January 2016 (2016-01-28) abstract; figures 1,2,4,5 paragraphs [0003] - [0006], [0051], [0052], [0058], [0059] -----	1-15
Y	US 9 008 776 B2 (EBR SYSTEMS INC [US]) 14 April 2015 (2015-04-14) abstract; figures 3a,3b column 17, lines 33-55 -----	1-15
A	US 2017/028203 A1 (GHOSH SUBHAM [US]) 2 February 2017 (2017-02-02) the whole document -----	1-15
A	US 9 289 612 B1 (SAMBELASHVILI ALEKSANDRE T [US] ET AL) 22 March 2016 (2016-03-22) the whole document -----	1-15
	-/--	

Further documents are listed in the continuation of Box C.

See patent family annex.

* Special categories of cited documents :

- "A" document defining the general state of the art which is not considered to be of particular relevance
- "E" earlier application or patent but published on or after the international filing date
- "L" document which may throw doubts on priority claim(s) or which is cited to establish the publication date of another citation or other special reason (as specified)
- "O" document referring to an oral disclosure, use, exhibition or other means
- "P" document published prior to the international filing date but later than the priority date claimed

- "T" later document published after the international filing date or priority date and not in conflict with the application but cited to understand the principle or theory underlying the invention
- "X" document of particular relevance; the claimed invention cannot be considered novel or cannot be considered to involve an inventive step when the document is taken alone
- "Y" document of particular relevance; the claimed invention cannot be considered to involve an inventive step when the document is combined with one or more other such documents, such combination being obvious to a person skilled in the art
- "&" document member of the same patent family

Date of the actual completion of the international search 6 February 2019	Date of mailing of the international search report 14/02/2019
--	--

Name and mailing address of the ISA/ European Patent Office, P.B. 5818 Patentlaan 2 NL - 2280 HV Rijswijk Tel. (+31-70) 340-2040, Fax: (+31-70) 340-3016	Authorized officer Pereda Cubián, David
--	--

INTERNATIONAL SEARCH REPORT

International application No
PCT/US2018/063122

C(Continuation). DOCUMENTS CONSIDERED TO BE RELEVANT		
Category*	Citation of document, with indication, where appropriate, of the relevant passages	Relevant to claim No.
A	US 2015/224315 A1 (STAHMANN JEFFREY E [US]) 13 August 2015 (2015-08-13) the whole document -----	1-15
A	US 2015/142069 A1 (SAMBELASHVILI ALEKSANDRE T [US]) 21 May 2015 (2015-05-21) the whole document -----	1-15
A	US 2013/131750 A1 (STADLER ROBERT W [US] ET AL) 23 May 2013 (2013-05-23) the whole document -----	1-15
A	US 2007/239210 A1 (LIBBUS IMAD [US] ET AL) 11 October 2007 (2007-10-11) the whole document -----	1-15
A	US 2007/179541 A1 (PRAKASH RAJAN [US] ET AL) 2 August 2007 (2007-08-02) the whole document -----	1-15

INTERNATIONAL SEARCH REPORT

Information on patent family members

International application No

PCT/US2018/063122

Patent document cited in search report	Publication date	Patent family member(s)	Publication date	
US 2016023000	A1	28-01-2016	CN 106535987 A	22-03-2017
			EP 3171937 A1	31-05-2017
			EP 3444008 A1	20-02-2019
			US 2016023000 A1	28-01-2016
			WO 2016014352 A1	28-01-2016
US 9008776	B2	14-04-2015	EP 1835964 A2	26-09-2007
			JP 5111116 B2	26-12-2012
			JP 5462848 B2	02-04-2014
			JP 2008525115 A	17-07-2008
			JP 2012011232 A	19-01-2012
			JP 2012196485 A	18-10-2012
			US 2006136004 A1	22-06-2006
			US 2010063562 A1	11-03-2010
			US 2010228308 A1	09-09-2010
			US 2013282073 A1	24-10-2013
			WO 2006069215 A2	29-06-2006
US 2017028203	A1	02-02-2017	CN 107847752 A	27-03-2018
			CN 107921270 A	17-04-2018
			EP 3328488 A1	06-06-2018
			EP 3328489 A1	06-06-2018
			US 2017028202 A1	02-02-2017
			US 2017028203 A1	02-02-2017
			US 2017028206 A1	02-02-2017
			WO 2017023733 A1	09-02-2017
			WO 2017023740 A1	09-02-2017
US 9289612	B1	22-03-2016	CN 106999714 A	01-08-2017
			EP 3229894 A1	18-10-2017
			US 9289612 B1	22-03-2016
			WO 2016094175 A1	16-06-2016
US 2015224315	A1	13-08-2015	CN 106132479 A	16-11-2016
			EP 3104935 A1	21-12-2016
			JP 6363216 B2	25-07-2018
			JP 2017505200 A	16-02-2017
			US 2015224315 A1	13-08-2015
			WO 2015120466 A1	13-08-2015
US 2015142069	A1	21-05-2015	US 2015142069 A1	21-05-2015
			US 2015142070 A1	21-05-2015
			US 2017340885 A1	30-11-2017
US 2013131750	A1	23-05-2013	CN 104066478 A	24-09-2014
			EP 2782638 A1	01-10-2014
			US 2013131750 A1	23-05-2013
			WO 2013078010 A1	30-05-2013
US 2007239210	A1	11-10-2007	US 2007239210 A1	11-10-2007
			US 2010318154 A1	16-12-2010
			US 2011130802 A1	02-06-2011
			US 2012035682 A1	09-02-2012
			US 2012215276 A1	23-08-2012
US 2007179541	A1	02-08-2007	US 2007179541 A1	02-08-2007
			WO 2007090000 A1	09-08-2007