

(19) World Intellectual Property Organization  
International Bureau



(43) International Publication Date  
7 February 2008 (07.02.2008)

PCT

(10) International Publication Number  
**WO 2008/015376 A2**

(51) International Patent Classification:  
A47B 95/04 (2006.01)

(74) Agent: WILLIAMS POWELL; Staple Court, 11 Staple Inn Buildings, London WC1V 7QH (GB).

(21) International Application Number:  
PCT/GB2007/002659

(81) Designated States (unless otherwise indicated, for every kind of national protection available): AE, AG, AL, AM, AT, AU, AZ, BA, BB, BG, BH, BR, BW, BY, BZ, CA, CH, CN, CO, CR, CU, CZ, DE, DK, DM, DO, DZ, EC, EE, EG, ES, FI, GB, GD, GE, GH, GM, GT, HN, HR, HU, ID, IL, IN, IS, JP, KE, KG, KM, KN, KP, KR, KZ, LA, LC, LK, LR, LS, LT, LU, LY, MA, MD, MG, MK, MN, MW, MX, MY, MZ, NA, NG, NI, NO, NZ, OM, PG, PH, PL, PT, RO, RS, RU, SC, SD, SE, SG, SK, SL, SM, SV, SY, TJ, TM, TN, TR, TT, TZ, UA, UG, US, UZ, VC, VN, ZA, ZM, ZW.

(22) International Filing Date: 13 July 2007 (13.07.2007)

(25) Filing Language: English

(26) Publication Language: English

(30) Priority Data:  
60/835,220 1 August 2006 (01.08.2006) US

(71) Applicant (for all designated States except US): HOME DECOR HOLDING COMPANY [US/US]; Home Decor Innovations, 9115 Harris Corners Parkway, Suite 350, Charlotte, NC 28269 (US).

(84) Designated States (unless otherwise indicated, for every kind of regional protection available): ARIPO (BW, GH, GM, KE, LS, MW, MZ, NA, SD, SL, SZ, TZ, UG, ZM, ZW), Eurasian (AM, AZ, BY, KG, KZ, MD, RU, TJ, TM), European (AT, BE, BG, CH, CY, CZ, DE, DK, EE, ES, FI, FR, GB, GR, HU, IE, IS, IT, LT, LU, LV, MC, MT, NL, PL, PT, RO, SE, SI, SK, TR), OAPI (BF, BJ, CF, CG, CI, CM, GA, GN, GQ, GW, ML, MR, NE, SN, TD, TG).

(71) Applicant and

(72) Inventor (for KM only): JEHAN, Robert; Morley House, 26-30 Holborn Viaduct, London EC1A 2BP (GB).

(72) Inventors: MCGREGOR, Jean, T.; 1722 Walden Pond Lane, Waxhaw, NC 28173 (US). ROBERTS, John, F.; 12546 Autumn Blaze Drive, Charlotte, NC 28278 (US).

Published:

— without international search report and to be republished upon receipt of that report



WO 2008/015376 A2

(54) Title: HOME FURNISHING ENHANCEMENT SYSTEM

(57) Abstract: Methods and apparatus for providing consumer-installed decorations (10) for home or office furnishings (F). One embodiment of the invention may be sold at a retail store. The consumer may purchase a set of one or more decorations or enhancing components (10), which comprise an ornamental component (12) and a mounting component (14). The consumer then installs the decorations (10) at home or in the office, without special tools and without requiring the services of a contractor. The decorations (10) may be installed on any generally planar structure or furnishing (F). Examples of these furnishings (F) include, but are not limited to, a mirror (M), a door (D), a picture frame (PF), a kitchen cabinet door (KC), a cubicle wall or divider (CW), a computer monitor, a table top or any other piece of furniture, fixture, appliance, hardware or item that may be found in a home or office.

## HOME FURNISHING ENHANCEMENT SYSTEM

### TECHNICAL FIELD

The present invention pertains to methods and apparatus for consumer-installed enhancements for home or office furnishings. More particularly, one preferred embodiment of the invention utilizes one or more components that may be mounted on a mirror, window frame, picture frame, door, cubicle wall or some other home or office structure. In one embodiment, the invention provides an enhancement for any generally planar structure and comprises a set of components which are attached, connected or mounted to the structure by the consumer.

### BACKGROUND ART

On average, American households expend approximately \$4,000 annually for home improvement projects. Many of these improvements require hiring a contractor. Having workers in the home or office can be expensive, inconvenient and time-consuming. Many consumers are happy to purchase products which they can install themselves without using special tools and without hiring a contractor. The development of such a product would satisfy long felt needs in the home and office furnishings business, and would constitute an advance in the hardware and construction industries.

### DISCLOSURE OF THE INVENTION

The present invention seeks to provide improved methods and apparatus for enhancing home or office furnishings.

5           According to an aspect of the present invention, there is provided enhancement apparatus for enhancing home or office furnishings, including: at least one enhancing component designed for deployment on a generally planar furnishing structure; the or each said enhancing component including at least one ornamental component and at least one mounting component; the or at least one of said mounting components being mountable to  
10 a furnishing structure or adjacent a furnishing structure such that the ornamental component associated therewith at least partially overlies said furnishing structure.

In one embodiment, the or each enhancing component provides no or substantially no support for a furnishing structure.

Preferably, the or each ornamental component is generally planar.

According to another aspect of the present invention, there is provided enhancement apparatus for enhancing home or office furnishings, including a kit provided with: a plurality of enhancing components designed for deployment on a generally planar structure, each said enhancing component including at least one ornamental component; 5 and a plurality of mounting components; the or at least one of said mounting components being mountable to a furnishing or adjacent a furnishing such that the ornamental component associated therewith at least partially overlies said furnishing.

According to another aspect of the present invention, there is provided a method comprising the steps of: providing a set of enhancing components for a generally planar 10 structure; each of said set of enhancing components including an ornamental component and a mounting component; and installing said set of enhancing components around said generally planar structure; said installation being accomplished by a consumer.

These enhancements preferably comprise decorations, trims or embellishments; and are generally mounted, attached or otherwise installed on a home or office furnishing. This 15 furnishing is typically a generally planar structure, such as a mirror, a door, a picture frame, a cubicle wall or kitchen cabinet doors. In one embodiment, the invention comprises an ornamental component and a mounting component. The mounting component is affixed to or deployed on the generally planar structure and holds or carries the ornamental component.

20

#### DESCRIPTION OF THE DRAWINGS

Embodiments of the present invention are described below, by way of example only, with reference to the accompanying drawings, in which:

Figure 1 provides a view of one embodiment of the present invention installed on a 25 rectangular mirror;

Figure 2 provides a view of one embodiment of the present invention installed on an oval mirror;

Figure 3 offers a more detailed view of one of the parts of one embodiment of the present invention, which is mounted on a corner of a mirror;

30 Figure 4 offers a detailed view of one of the parts of one embodiment of the present invention, which is mounted on the side of a mirror;

Figure 5 is a side view of one part of one embodiment of the present invention and a generally planar structure. In Figure 5, the mounting component is a pair of hook and loop adhesive strips or two facing sections of adhesive tape;

5 Figure 6 is a side view of one part of one embodiment of the present invention and a generally planar structure. In Figure 6, the mounting component is a hanger which fits over a generally planar structure;

Figure 7 is a side view of one part of one embodiment of the present invention and a generally planar structure. In Figure 7, the mounting component is an adjustable bracket which fits over a generally planar structure;

10 Figure 8 is a side view of one part of one embodiment of the present invention and a generally planar structure. In Figure 8, the mounting component is a compression cap;

Figure 9 furnishes a side view of another embodiment of the invention, which utilizes a bolt and an anchor to mount the present invention over a mirror and drywall;

Figure 10 is a front view of the mirror shown in Figure 9;

15 Figure 11 is a front view of a mirror in combination with the present invention, which has been mounted over the mirror;

Figure 12 depicts one part of one embodiment of the present invention installed on a door;

20 Figure 13 depicts one part of one embodiment of the present invention installed on a picture frame;

Figure 14 depicts one part of one embodiment of the present invention installed on a cubicle wall;

Figure 15 depicts one part of one embodiment of the present invention installed on a pair of kitchen cabinet doors;

25 Figure 16 offers a view of an alternative embodiment of the invention which is installed on a mirror with mounting holes;

Figure 17 provides a view of an alternative embodiment of the invention which uses a spacer that mounts on the edge of a mirror;

30 Figure 18 reveals an alternative embodiment of the invention which employs a decorative strip that includes pegs for mounting in holes through a mirror;

Figure 19 supplies a view of decorative strips which are installed on a new mirror;

Figure 20 illustrates the mounting method for the embodiment portrayed in Figure 19;

Figure 21 exhibits decorative strips that have been placed on a pre-installed mirror;

Figure 22 is a view of an embodiment that is applied to a mirror using snap-on tabs;

5 Figure 23 portrays a bracket that is employed to attach various embodiments of the invention to drywall;

Figure 24 shows various combinations of filigree embodiments;

Figures 25 and 26 reveal spring clips and tabs that may be used to install the embodiments shown in Figure 24;

10 Figure 27 depicts a button embodiment of the invention;

Figure 28 displays a mounting bracket for the button embodiment shown in Figure 27;

Figure 29 is a view of an embodiment that is mounted around the perimeter of a mirror;

15 Figures 30 and 31 reveal an embodiment which attaches to a mirror using clips or thin double-sided tape;

Figures 32, 33, 34 and 35 offer views of alternative mounting methods for the embodiment shown in Figures 30 and 31;

20 Figures 36, 37, 38 and 39 depicts an embodiment comprising buttons, corners and strips;

Figure 40 supplies a view of a "four pack" mounting kit;

Figure 41 supplies a view of a mixed set of embodiments installed on a mirror; and

Figure 42 provides a view of an alternative mounting kit.

## 25 DESCRIPTION OF THE PREFERRED EMBODIMENTS

### I. Overview of the Invention.

The embodiments described below comprise methods and apparatus for providing consumer-installed decorations 10 for home or office furnishings. One embodiment of the invention may be sold at a retail store. The consumer may purchase a set of one or more decorations or enhancing components 10, which comprise an ornamental component 12

and a mounting component 14. The consumer then installs the decorations 10 at home or in the office, without special tools and without requiring the services of a contractor.

The decorations 10 may be installed on any generally planar structure or furnishing F. Examples of these furnishings F include, but are not limited to: a mirror, a door, a picture frame, a kitchen cabinet door, a window, a wall, a ceiling, a shower door, a stair riser or railing, a mantle, a lamp shade, a shelf, a light switch cover or plate, a cubicle wall or divider, a computer monitor, a table top or any other piece of furniture, fixture, appliance, hardware or item that may be found in a home or office. The assembly may also be used in combination with outdoor furnishings, such as, but not limited to: a deck, a fence, an exterior wall, a shutter, a mailbox, a chimney, a gutter or a planter. It may also be used in combination with personal items, such as, but not limited to, a purse, a scrapbook, a backpack or a box.

In one embodiment, the decorations 10 are fabricated from a lightweight material, such as a plastics material. Other variations may be manufactured from: wood, paper, paperboard, metal, foil, stretched fabric, wire, ceramic tile, tape, leather, glass, rope, mirror, a natural material such as stone, woven grass, contained liquid or some other suitable material that may be fashioned as a ornamental element.

The decorations 10 are generally installed by attaching, coupling, hanging, adhering or otherwise affixing a mounting component 14 to a furnishing F. The various embodiments of the mounting component 14 include, but are not limited to: hangers, hooks, straps, rods or mechanical fasteners; adjustable straps; hook-and-loop material (such as Velcro®), single or double adhesive tapes, glues, caulks, or epoxies; compression fittings, clips or sleeves; magnetic devices; bonding waxes or gums; tension fit devices (such as a shower rod); plastic cling devices which rely upon surface tension; suction cups; elastic straps; nails or staples; cams or dowels; snaps or retaining clips; buckles or buttons; chains; tied devices (such as string or ribbon); or a threaded connector, such as bolts, screws, nuts, retainers and/or anchors.

The assembly may be sold as an individual item or in matched sets. They may be marketed and promoted as free inserts in popular magazines. They may also be coloured or imprinted to depict various scenery or images, or may bear a photograph or other visual rendering or pattern. The assembly may also be offered as a thematic or seasonal product,

bearing designs or images for Christmas, Halloween, New Year's Day, Independence Day, birthdays, anniversaries or other holidays or memorable occasions.

In another embodiment, there is provided for consumer purchase a kit containing software and self-adhesive, pre-cut papers which may be used to compose overlays that  
5 may be produced on a home or office computer and printer, and then placed over the decoration 10.

In another embodiment, the decoration 10 may also include additional components for: hanging key rings; a clock; a pocket for holding a cellular telephone; a candle holder; a tray for coins or sunglasses; a shelf for pencils or pens; a set of pegs for holding jewellery;  
10 a notepad holder; bins or holders for soap, a toothbrush or thermometer; hanging or supporting a cup; or holding mail or office supplies. In yet another embodiment, electronic components may be incorporated into the present invention. These electronic components may include, but are not limited to: lights; devices for producing sounds or music; a radio; light or motion activated moving parts; or a device that sprays air freshener or cologne.

The decoration 10 may be provided in the form of a kit comprising pieces of  
15 unfinished wood; paint; wire and beads; oven-bakeable clay; or plaster moulding supplies. Each of these components of a kit would enable the consumer to create their own designs. The assembly may also be provided with special fasteners to enable the decorations 10 to be used on cabinet door pulls and door knobs.

20

## II. Specific Embodiments of the Invention.

Figure 1 offers a view of one embodiment of the present invention, referred to a  
"Mirror Jewellery™," that has been installed along the vertical edges and on the corners of  
the front of a bathroom mirror 15. This set of six decorations 10 have been mounted at the  
25 corners and at the centre of the vertical edges of the mirror 15. One embodiment of the invention may be installed or mounted along the edge, corner, perimeter or periphery of a planar structure, or of a structure that includes a generally flat face, region, segment or surface.

Figure 2 is a view of one embodiment of the present invention installed on an oval  
30 mirror 15. Figures 3 and 4 are more detailed views of one of the parts of one embodiment

of the present invention, which have been mounted on a corner and on one side of a mirror 15.

Figure 5 is a side view of one part of one embodiment of the present invention 10 and a generally planar structure or furnishing F. An ornamental component 10 comprises a generally flat or planar member. The rear portion of the ornamental component 10, which is opposite the front face which is viewed, is attached to one piece of an attachment pad 14, such as a hook-and-loop adhesive strip or a segment of adhesive tape. Another hook-and-loop adhesive strip or segment of adhesive tape 14 is deployed on the furnishing F in a position which will hold the ornamental component 10 in its desired location.

Figure 6 depicts one part of one embodiment of the present invention in a side view. The mounting component 14 shown in Figure 6 is a hanger which fits over a generally planar structure or furnishing F. Figure 7 also depicts a side view of one part of one embodiment of the present invention and a generally planar structure. In Figure 7, the mounting component 14 is an adjustable bracket which fits over a generally planar structure or furnishing F. In Figure 8, the mounting component 14 is a compression cap that fits over both the ornamental component 12 and the furnishing F.

Figure 9 exhibits another embodiment of the invention, which utilizes a bolt and an anchor fitting in a hole 16 to mount the present invention over a mirror 15 and drywall 18. Figure 10 supplies a front view of the mirror shown in Figure 9. Figure 11 is a front view of the mirror shown in Figure 9 together with the present invention, which has been mounted over the mirror 15.

Figure 12 depicts one part of one embodiment of the present invention installed on a door D. Figure 13 depicts one part of one embodiment of the present invention installed on a picture frame PF. Figure 14 depicts one part of one embodiment of the present invention installed on a cubicle wall CW. Figure 15 depicts one part of one embodiment of the present invention installed on a pair of kitchen cabinet doors KC.

### III. Other Embodiments of the Invention

Figure 16 offers a view of another embodiment 10 that may be installed on the front of a mirror 15 that includes mounting holes. This embodiment 10 is depicted in greater detail in an exploded view in Figure 17, which shows an ornamental component 12

is attached to its own screw 19 which fits into a spacer 20. This generally rectangular spacer 20, which is fabricated from a plastic or other suitable material, has a notched end 21 that receives, engages and holds one edge of the mirror 15. The spacer 20 has a corresponding hole 22 for the screw 19, which is ultimately received by and secured in all wall anchor 23 that has been installed in the drywall 18.

Figures 18, 19, 20 and 21 portray another embodiment of the invention, which includes an elongated decorative strip, bar, band, ribbon, rod, wire or border 12 that is formed with one or more integral mounting pegs 24. These pegs 24 protrude from the back of the strip 12, and are designed to be inserted in holes 16 that are formed in a mirror 15, as shown in Figure 18. Figures 19 and 20 depict another version 12 for a mirror 15 that does not have pre-formed holes 16. As shown in Figure 20, the decorative wire component 12 is mounted over the front surface of the mirror 15, and is held in place by a screw 26 that protrudes from the wire component 12. This screw 26 fits in a wall anchor 23 in the drywall 18. Figure 21 reveals yet another version of decorative strips 12 that have been installed on a pre-existing mirror.

Figure 22 provides a view of yet another variation of the invention which is placed on or over the corners of a mirror. This scroll-like embodiment includes a portion or segment that resembles a filigree, lattice, lace or some other open design. The ornamental portion 12 of this embodiment includes a "snap-off" segment 28. A screw 26 is inserted through a stack 30 of spacers, and is ultimately received by an anchor 23 in the drywall 18.

Figures 24, 25 and 26 exhibit another version of the invention, which comprises another filigree decoration 10 that is fitted over the front surface 15 of a mirror. This embodiment includes corner pieces and side pieces, which may be placed over any or all of the perimeter of the mirror using various combinations of corner and side pieces. Figures 25 and 26 present views of methods of mounting this embodiment on a mirror. Figure 25 shows a filigree decoration 10 adapted with spring clips 32 which fit over the rear surface 34 of the mirror. Figure 26 shows the same decoration 10 configured with tabs 36 having holes 37 that are fitted with drywall screws 38. This embodiment may also be mounted with double-sided tape.

Figure 27 presents a view of another embodiment of the invention comprising an ornamental portion 12 which is held by a screw 39 that also holds a bracket 40. This

bracket 40 also includes holes 42 for screws 44 that attach the bracket 40 to anchors 23 in the drywall 18 as shown in Figure 28.

Figure 29 furnishes a view of another variation of the invention, which is mounted around some or all of the perimeter of a mirror.

5           Figure 30 portrays an embodiment of the invention which utilizes double-sided tape 46 and/or a mirror clip 48.

          Figure 31 shows how a screw 50 is inserted into a hole 49 in the mirror clip 48. A spacer 52 may be added behind the mirror clip 48 for thick mirrors. A hole 54 in the spacer 52 also receives the screw 50, which is ultimately held by a wall anchor 23 in the  
10       drywall 18.

          In another variation, Figure 32 reveals mounting hardware 14 that includes a mirror mount 56 with a spring clip 58. Figure 33 shows how the spring clip 58 slides or fits into a recess 60 on the rear side of the decorative component 12. The decorative component 12 may also be mounted using double-sided tape 46.

15           Figures 34 and 35 illustrate yet another mounting method. A mirror mount 62 is configured with mounting holes 64, a notch 66 to receive the mirror, and a threaded rod 68 or press-fit pin (not shown) which engages threaded holes formed in the decorative component 12. Double-sided tape 46 may also be employed.

          Figures 36, 37, 38 and 39 depict three complementary decorative components 12, including buttons, strips and corners that may be used in a variety of combinations.  
20

          Figure 40 supplies a view of an attachment system for mirrors without holes.

          In general, the various embodiments of the invention may be mounted or installed without special tools. The customer, purchaser or some other person who installs the decorations 10 may deploy the invention at home, in the office, or in some other suitable  
25       location without hiring a contractor.

### III. Mirror Jewellery

          One specific version of the invention comprises a collection of decorative mirror hardware ("Mirror Jewellery™") that can be used to either decorate existing pre-hung  
30       frameless wall mirrors, or to mount mirrors and art to walls.

Currently, mirrors are hung with utilitarian looking plastic or metal clips. This hardware can replace or cover up these utilitarian clips allowing the consumer to dress up or decorate their mirrors.

The teachings herein would allow consumers to decorate their plain frameless  
5 mirrors without removing the mirror from the wall. When the system is used on existing mirrors, a spacer would be attached to hold this decorative hardware away from the wall enough to clear the mirror and clips holding the frameless mirror in place. In this implementation, the hardware would not be used for support, but only as a decoration or to cover up blemishes in the mirror.

10 If the consumer were to mount a new mirror with this hardware, the decorative hardware would be attached to a flat surface such as a wall and the hardware would be used to support the mirror. The mirror would be trapped between the hardware and the wall.

This decorative hardware may be produced in a variety of shapes and sizes. The  
15 sizes and styles can range from a small button sized piece, to an ornate corner bracket to a decorative strip that would cover the whole edge of the mirror. The assemblies may be made of many different materials such as wood, metal, plastic, glass, leather or fabric. They may be used on all shapes of mirrors such as rectangles, circles, ovals, octagons and free form shapes as well as mirrors with holes and cuts in them. A variety of mounting  
20 methods such as screws, clips, tape, glue, snaps, anchors or brackets may be used to mount these decorative pieces. The decorative pieces could also include functional elements such as hooks or magnifying mirrors.

The assemblies may be mounted on existing mirrors which are already mounted in the home. These mirrors may be attached to the wall using a variety of kinds of hardware,  
25 including, but not limited to: metal spring clips, fixed metal clips and J-shaped moulding which holds the mirror away from the wall. Mirror mastic and/or foam tape which adheres the back of the mirror to a wall. In another embodiment, plastic clips may be used to trap the mirror between the wall and clip.

When used with metal spring clips, fixed metal clips, J-shaped moulding, mastic  
30 and/or foam tape, the decorations would be added to the mirror without removing the mirror or the mounting hardware. If plastic clips are used to mount the mirror to the wall,

the decorative pieces may be used as a replacement for these clips. The decorations may also be used to mount a newly purchased mirror.

The assemblies described herein provide versatile mounting methods that may be employed to attach decorations to mirrors which have a variety of thicknesses and dimensions, or which are held away from a wall. In another embodiment, the decorations may be attached to the surface of a mirror which does not provide an attachment space around its entire perimeter due to the position of adjoining walls or sink backsplashes.

Although the present invention has been described in detail with reference to one or more preferred embodiments, persons possessing ordinary skill in the art to which this invention pertains will appreciate that various modifications and enhancements may be made without departing from the spirit and scope of the Claims that follow. The various alternatives for providing a home furnishing enhancement system that have been disclosed above are intended to educate the reader about preferred embodiments of the invention, and are not intended to constrain the limits of the invention or the scope of claims.

The home furnishing enhancement system taught herein involves methods and apparatus for providing enhancements for home or office furnishings. These enhancements generally comprise decorations, trims or embellishments; and are generally mounted, attached or otherwise installed on a home or office furnishing. This furnishing is typically a generally planar structure, such as a mirror, a door, a picture frame, a cubicle all or kitchen cabinet doors. In one embodiment, the invention comprises an ornamental component and a mounting component. The mounting component is affixed to or deployed on the generally planar structure, and holds or carries the ornamental component. The home furnishing enhancement system will provide a valuable new product for consumers.

#### LIST OF REFERENCE CHARACTERS

- 10 Home Furnishing Enhancement System
- 12 Ornamental component
- 14 Mounting component
- 15 Mirror (front face)
- 16 Hole

- 18 Drywall
  - 20 Spacer
  - 21 Notched side of spacer
  - 22 Hole in spacer
  - 23 Wall anchor
  - 24 Mounting pegs
  - 26 Screw
  - 28 Bracket for use with spacer stack
  - 30 Spacer stack
  - 32 Spring clips
  - 34 Back side of mirror
  - 36 Mounting holes for filigree piece
  - 38 Screw
  - 40 Bracket for mounting on drywall
- 
- CW Cubicle wall
  - D Door
  - F Furnishing or structure
  - KC Kitchen cabinet
  - PF Picture frame
  - W Wall

CLAIMS

1. Enhancement apparatus for enhancing home or office furnishings, including:
  - at least one enhancing component (10) designed for deployment on a generally planar furnishing structure (F);
  - the or each said enhancing component (10) including at least one ornamental component (12) and at least one mounting component (14);
  - the or at least one of said mounting components (14) being mountable to a furnishing structure or adjacent a furnishing structure such that the ornamental component associated therewith at least partially overlies said furnishing structure.
2. Apparatus according to claim 1, wherein said apparatus is a mirror (M) enhancement apparatus, a door (D) enhancement apparatus, a picture frame (PF) enhancement apparatus or a cubicle wall (CW) enhancement apparatus.
3. Apparatus according to claim 1 or 2, wherein the or each ornamental component (12) is generally planar.
4. Apparatus according to claim 1, 2 or 3, wherein the or each ornamental component (12) and/or the or each mounting component (14) is manufactured from a lightweight material.
5. Apparatus according to any preceding claim, wherein the or each enhancing component (10) is formed from a single part.
6. Apparatus according to any one of claims 1 to 4, wherein the or each enhancing component (10) is formed from a plurality of parts.

7. Apparatus according to any preceding claim, wherein the or each ornamental component (12) and the or each mounting component (14) are integral with one another.

8. Apparatus according to any one of claims 1 to 6, wherein the or each ornamental component (12) and the or each mounting component (14) are separate components attachable to one another.

9. Apparatus according to any preceding claim, wherein the or each mounting component (12) includes an edge member (14, 20, 28, 32, 36, 48, 56, 62, 76, ) for mounting to or at an edge of a furnishing (F).

10. Apparatus according to claim 9, wherein a plurality of mounting components (12) are provided, mountable around the perimeter of a furnishing.

11. Apparatus according to any preceding claim, wherein the or each enhancing component (10) is designed so as to extend beyond a perimeter of a furnishing structure (F).

12. Apparatus according to any preceding claim, wherein the or each mounting component (12) is designed to mount to or at a generally planar furnishing structure (F).

13. Apparatus according to claim 12, wherein the or each mounting component (14) is designed to fit over a said generally planar structure (F).

14. Apparatus according to claim 12 or 13, wherein the or each enhancing component (10) is installed on a surface of said generally planar structure (F).

15. Apparatus according to any preceding claim, wherein the or each mounting component (14) is designed to hang on a furnishing structure (F).

16. Apparatus according to any preceding claim, wherein the or each mounting component (14) includes an adhesive part adherable to a furnishing structure (F).

17. Apparatus according to any one of claims 1 to 15, wherein the or each mounting component (14) includes a compression device.

18. Apparatus according to any one of claims 1 to 15, wherein the or each mounting component (14) includes a threaded connector.

19. Apparatus according to claim 18, wherein the or each mounting component (14) includes a flange extending from said threaded connector, said flange being operable to hold a furnishing structure (15).

20. Apparatus according to any one of claims 1 to 15, wherein the or each mounting component (14) includes an adjustable coupling strap.

21. Apparatus according to any one of claims 1 to 15, wherein the or each mounting component (14) includes a part designed to overlie a furniture structure (F) and a part designed to sit alongside said furnishing structure (F).

22. Apparatus according to claim 21, wherein the or each mounting component (14) includes a support member (20) with a corner feature providing said parts (21).

23. Apparatus according to any one of claims 1 to 15, wherein the or at least one of said ornamental components (12) includes a part (28) designed to extend across a substantial extent of a furnishing structure (F).

24. Apparatus according to claim 23, wherein said part is designed to extend across at least fifty percent of a furniture structure (F).

25. Apparatus according to claim 23 or 24, wherein said the or at least one of said ornamental components (12) includes first and second coupling parts (28) at opposing ends or adjacent sides thereof for coupling to respective mounting components (30).

26. Apparatus according to any preceding claim, including a plurality of ornamental components (10), wherein said ornamental components are positionable adjacent one another to provide a unitary ornamental feature.

27. Apparatus according to claim 26, wherein the ornamental components of said plurality of components (10) couple to one another.

28. Apparatus according to any one of claims 1 to 15, wherein the or each mounting component is a clip (32, 58).

29. Apparatus according to claim 28, wherein said clip (32) is a furnishing mounting clip.

30. Apparatus according to claim 28, wherein said clip (58) is designed to co-operate with the or a said ornamental component.

31. Apparatus according to any one of claims 1 to 15, wherein the or at least one of said mounting components provides a fitting (44) designed to pass through a hole (42) in a furnishing structure (34).

32. Apparatus according to any one of claims 1 to 15, wherein the or at least one of said mounting components (64) includes a body member provided with a foot portion including at least one bore (64) for receiving a fixing device, a furnishing attachment flange (66) extending from the body member and an ornamental component (12) attachment fitting (68).

33. Apparatus according to claim 32, wherein the fitting (68) is a threaded fitting.
34. Apparatus according to any preceding claim, including a spacer member (78) co-operable with the or each mounting component (76).
35. Apparatus according to any one of claims 1 to 15, wherein said or at least one of said mounting components includes a mounting bracket, at least one mounting screw for fixing the mounting bracket to a support, at least one fitting screw connectable to the mounting bracket and to a retaining cap for retaining the or a said ornamental component (12).
36. Apparatus according to any preceding claim, wherein the or each enhancing component (10) provides no or substantially no support for a furnishing structure.
37. Enhancement apparatus for enhancing home or office furnishings, including a kit provided with:
- a plurality of enhancing components (10) designed for deployment on a generally planar structure (F), each said enhancing component (10) including at least one ornamental component (12); and
  - a plurality of mounting components (14); the or at least one of said mounting components (14) being mountable to a furnishing or adjacent a furnishing such that the ornamental component associated therewith at least partially overlies said furnishing.
38. A method comprising the steps of:
- providing a set of enhancing components (10) for a generally planar structure (F); each of said set of enhancing components (10) including an ornamental component (12) and a mounting component (14); and
  - installing said set of enhancing components (10) around said generally planar structure (F); said installation being accomplished by a consumer.

39. A method according to claim 38, wherein said set of enhancing components (10) is installed on an edge of said generally planar structure (F).

40. A method according to claim 38 or 39, wherein said set of enhancing components (10) is installed around the perimeter of said generally planar structure (F).

41. A method according to claim 38, 39 or 40, wherein said set of enhancing components (10) is installed on a surface said generally planar structure (F).

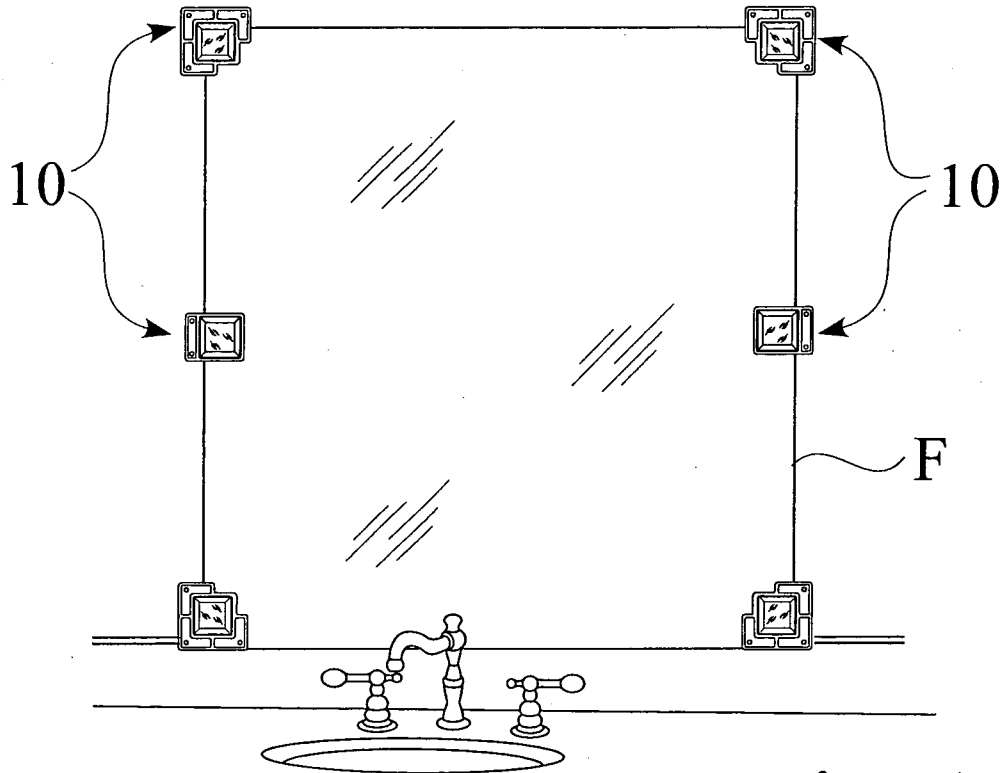


Fig. 1

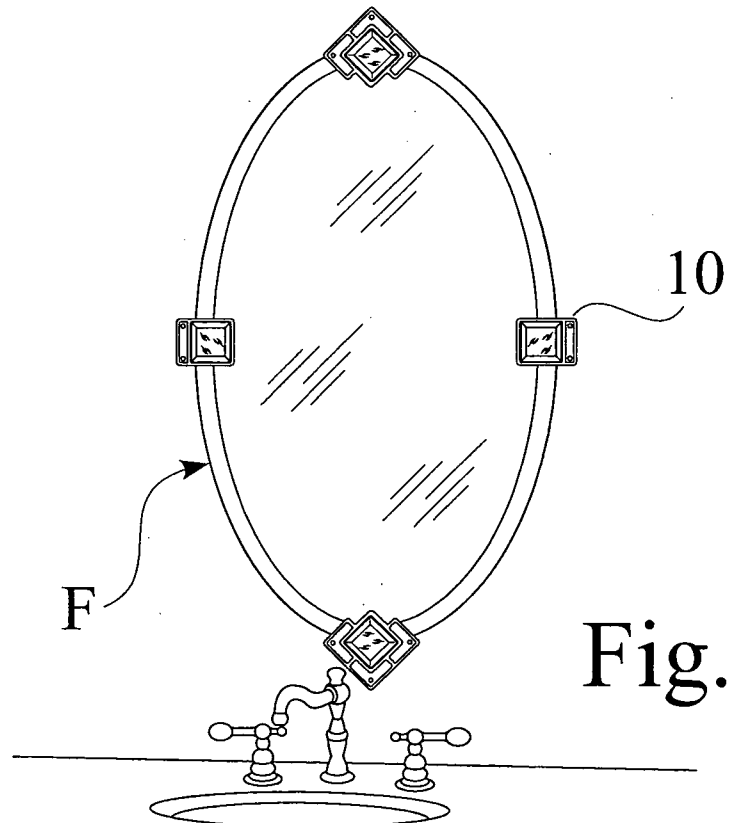


Fig. 2

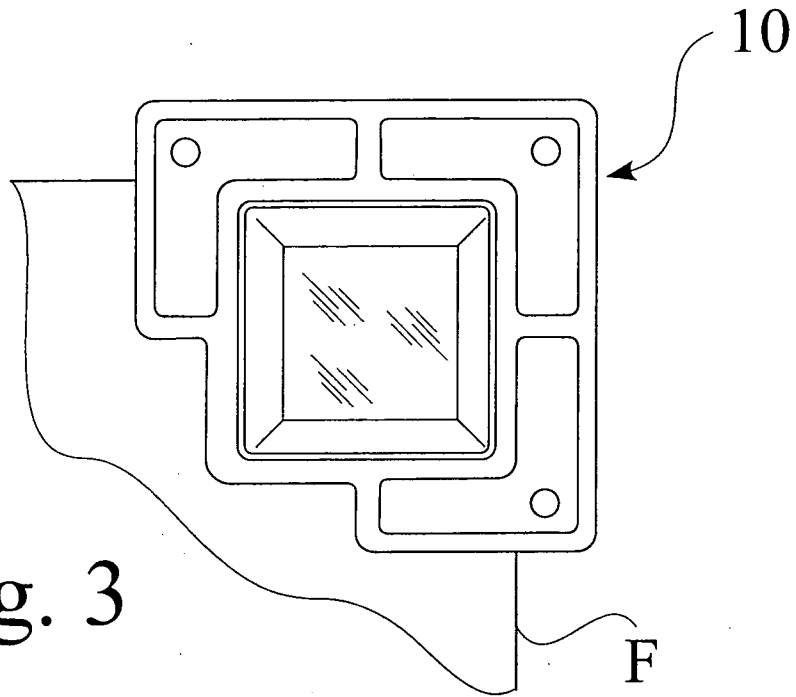


Fig. 3

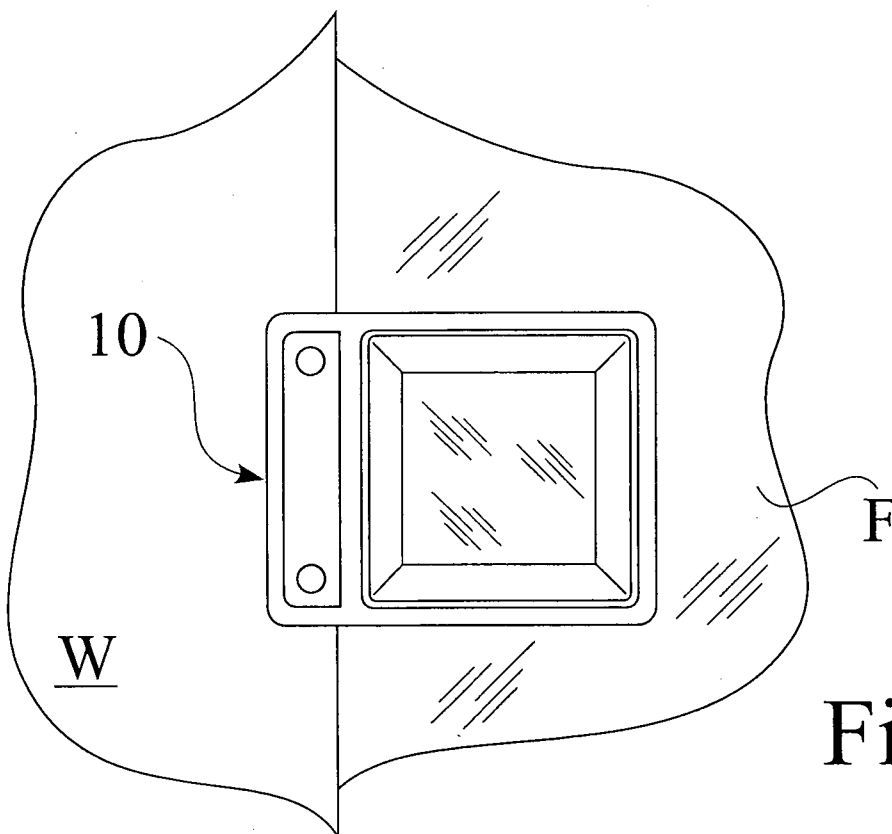


Fig. 4

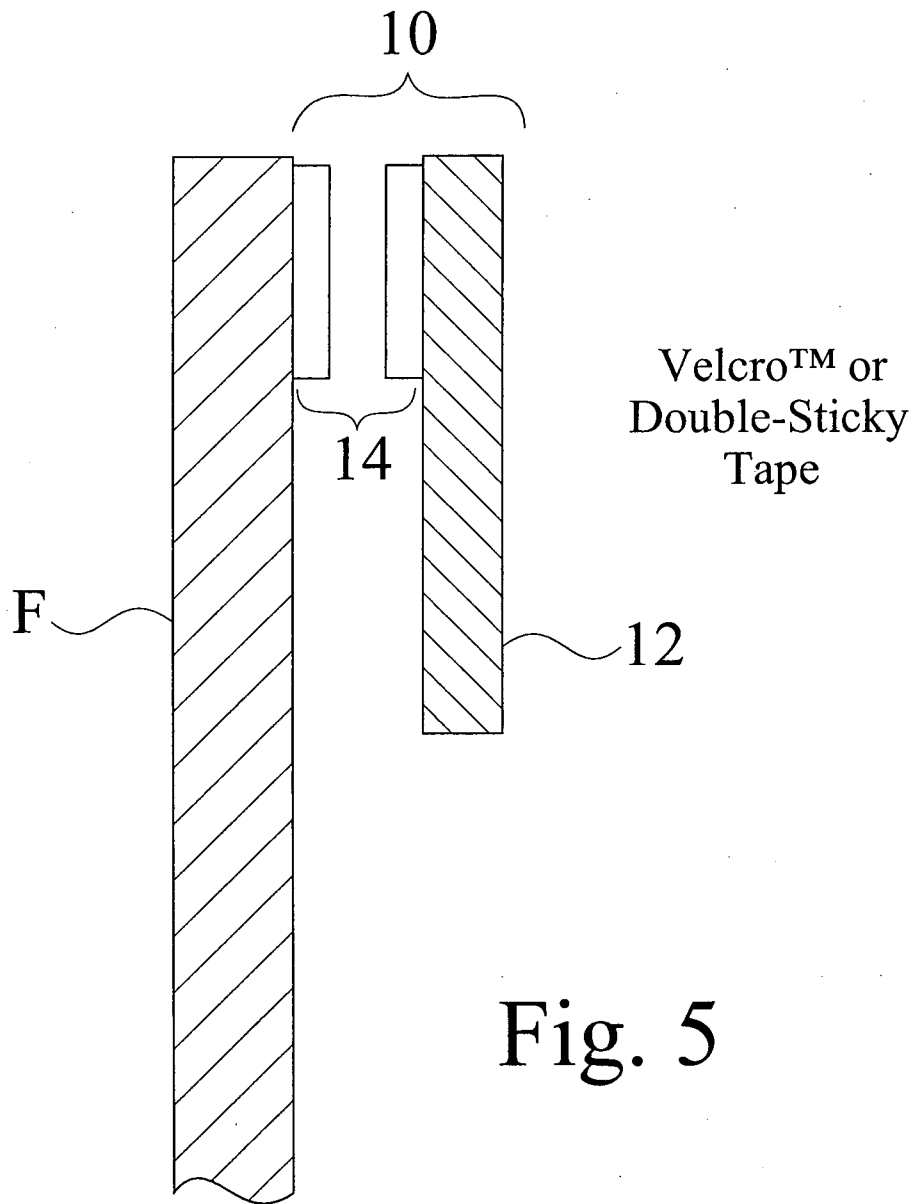


Fig. 5

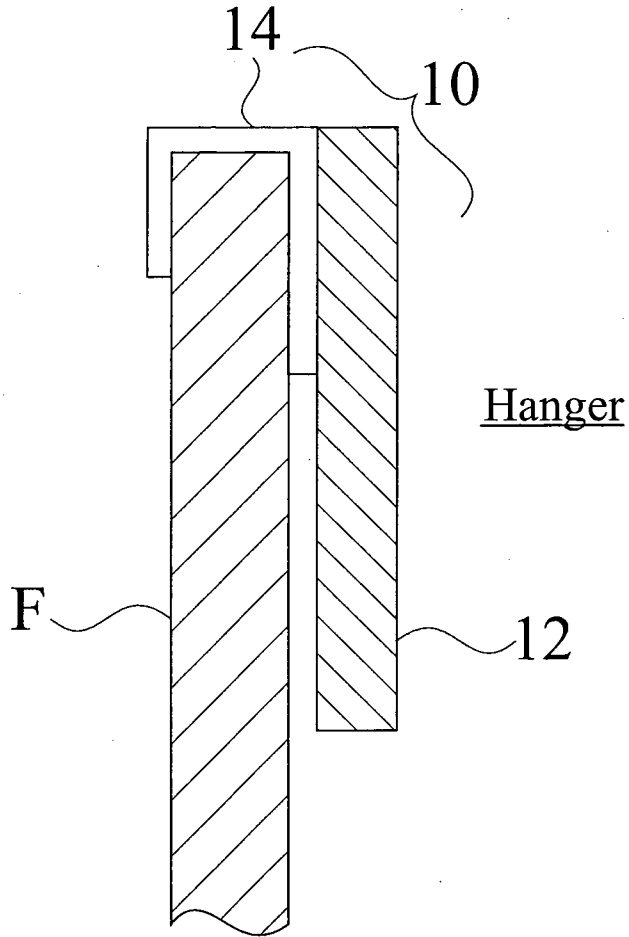


Fig. 6

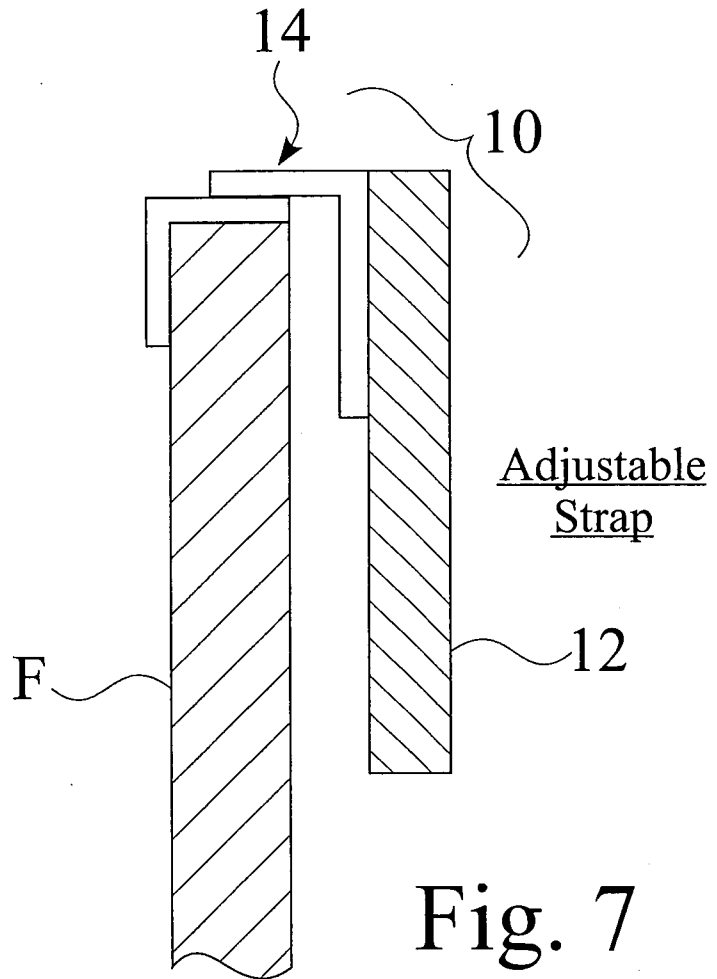


Fig. 7

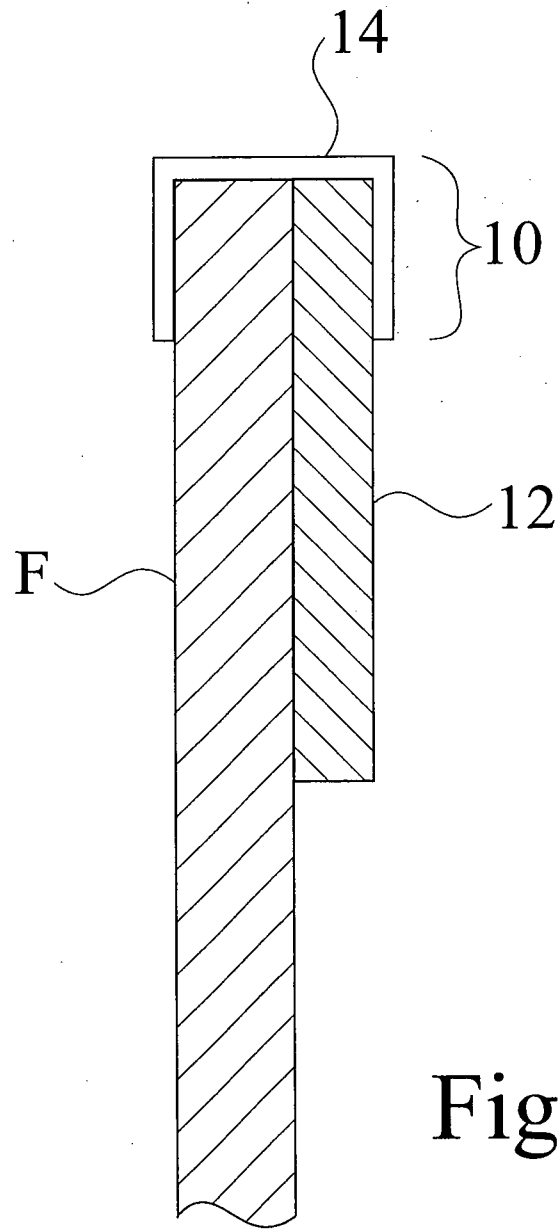


Fig. 8

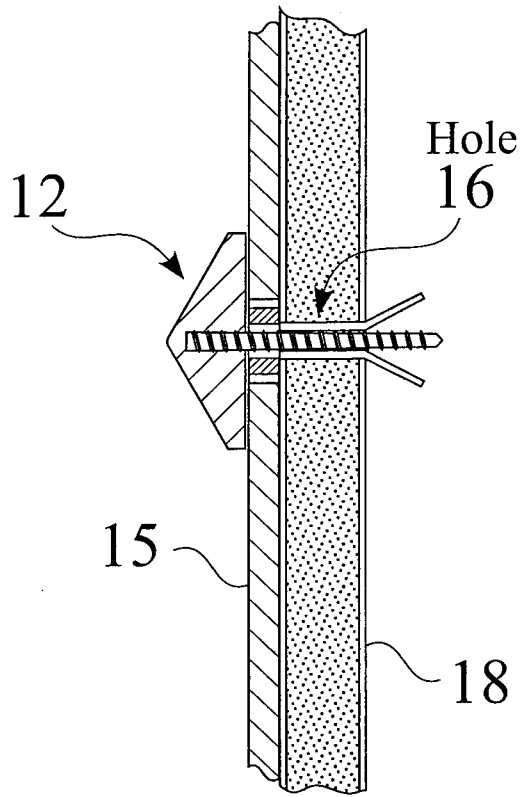


Fig. 9

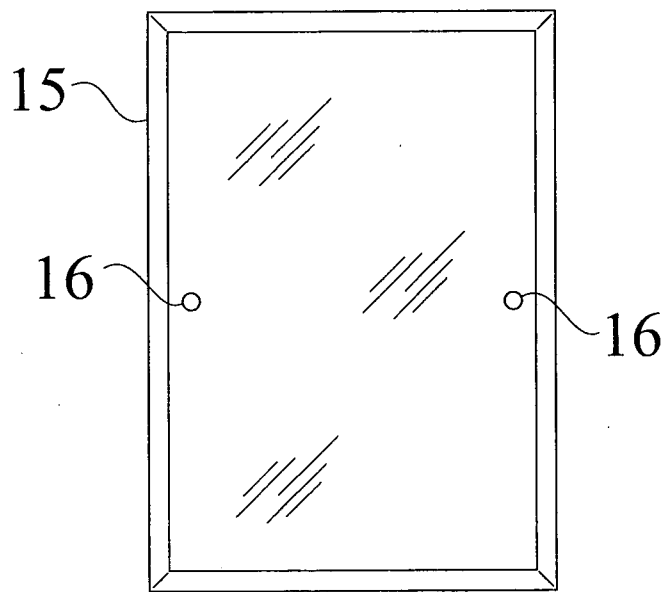


Fig. 10

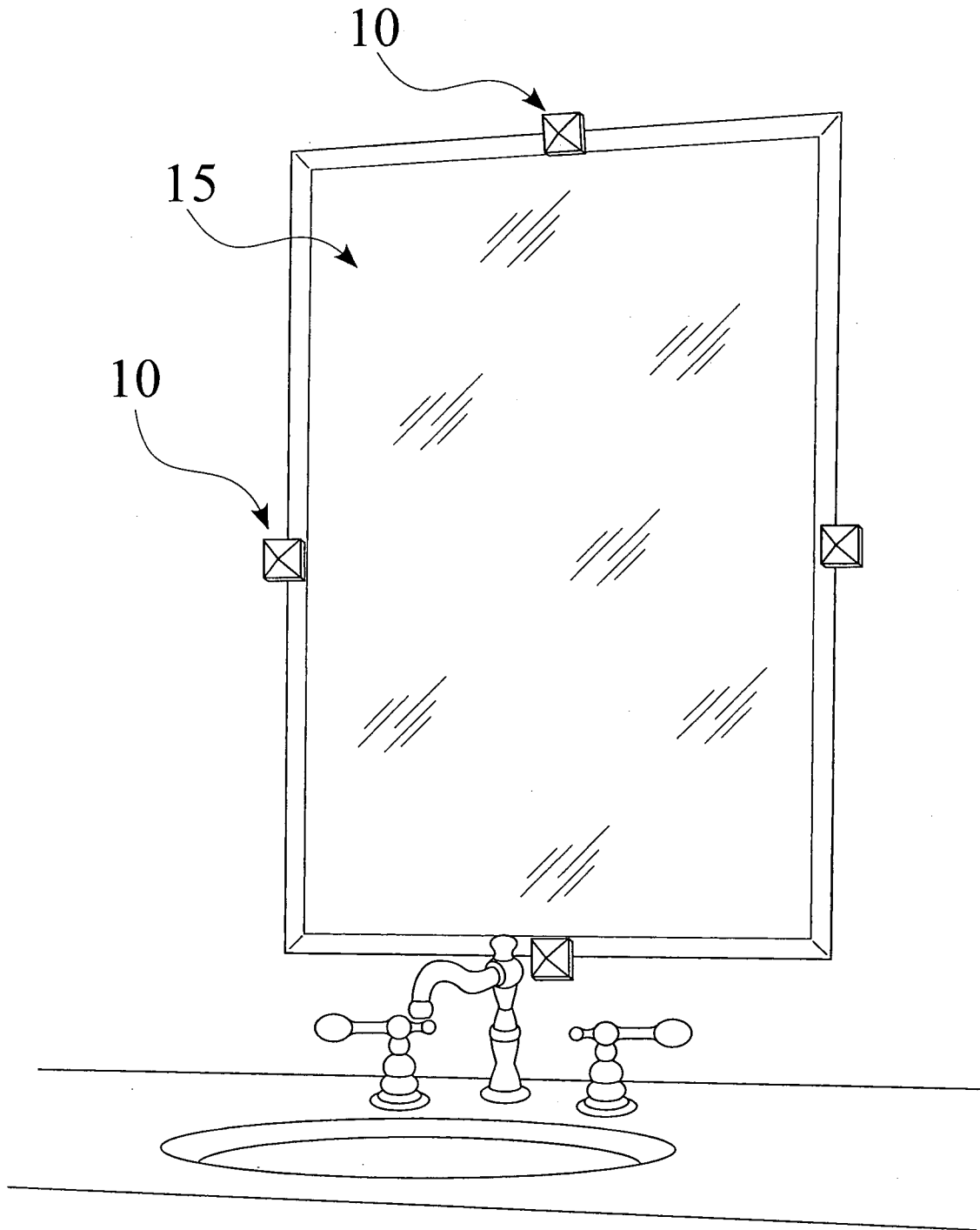


Fig. 11

8/28

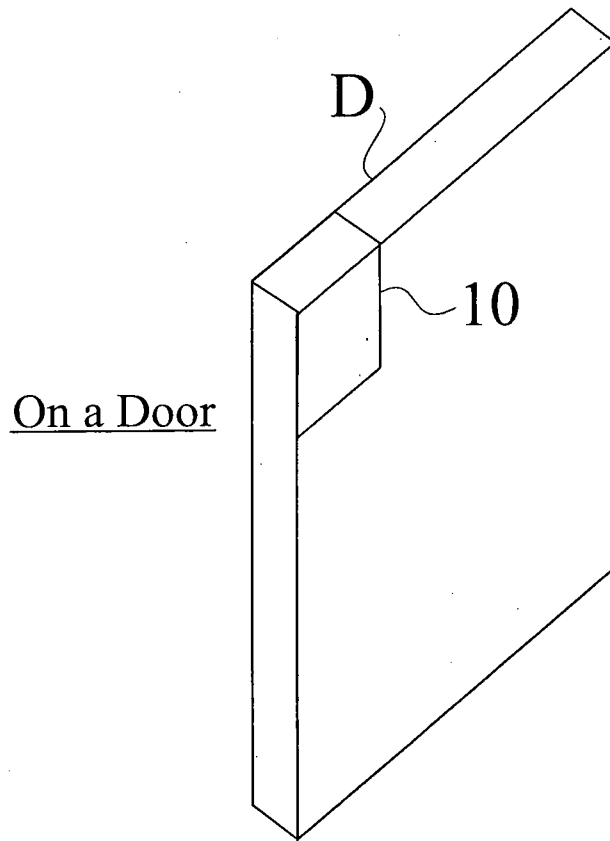


Fig. 12

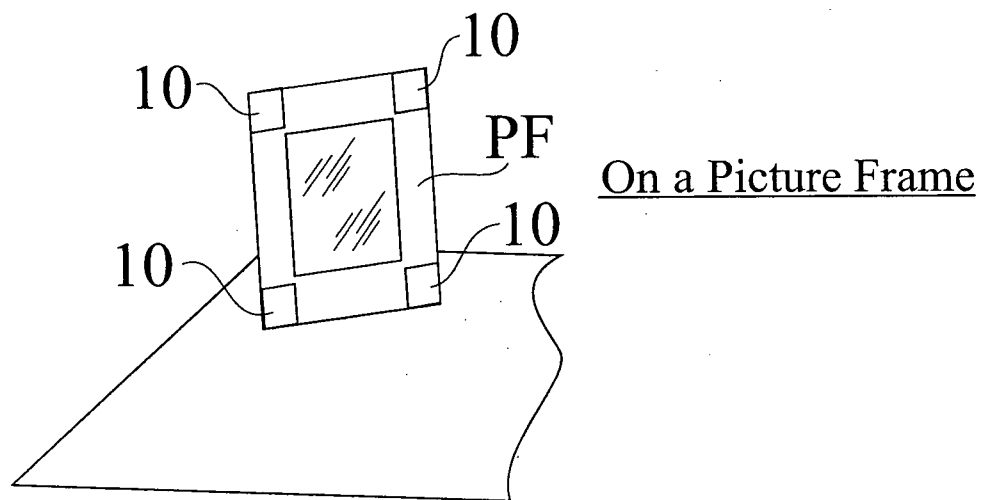


Fig. 13

9/28

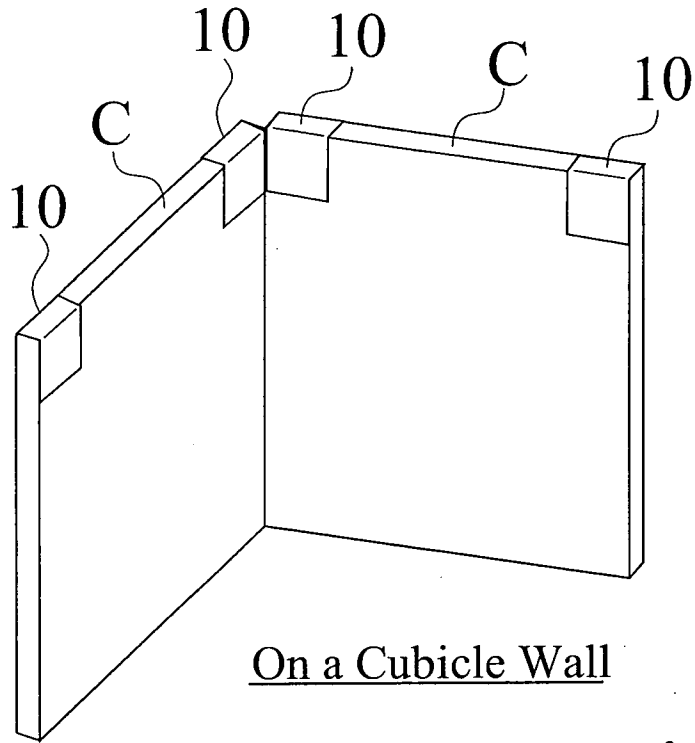


Fig. 14

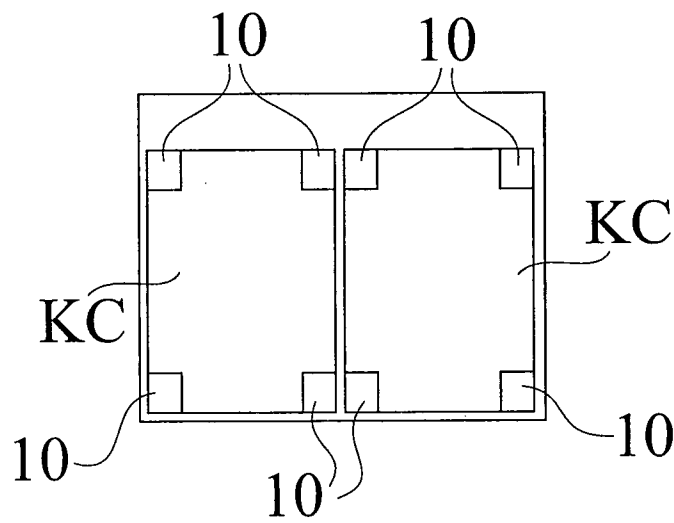


Fig. 15

10/28

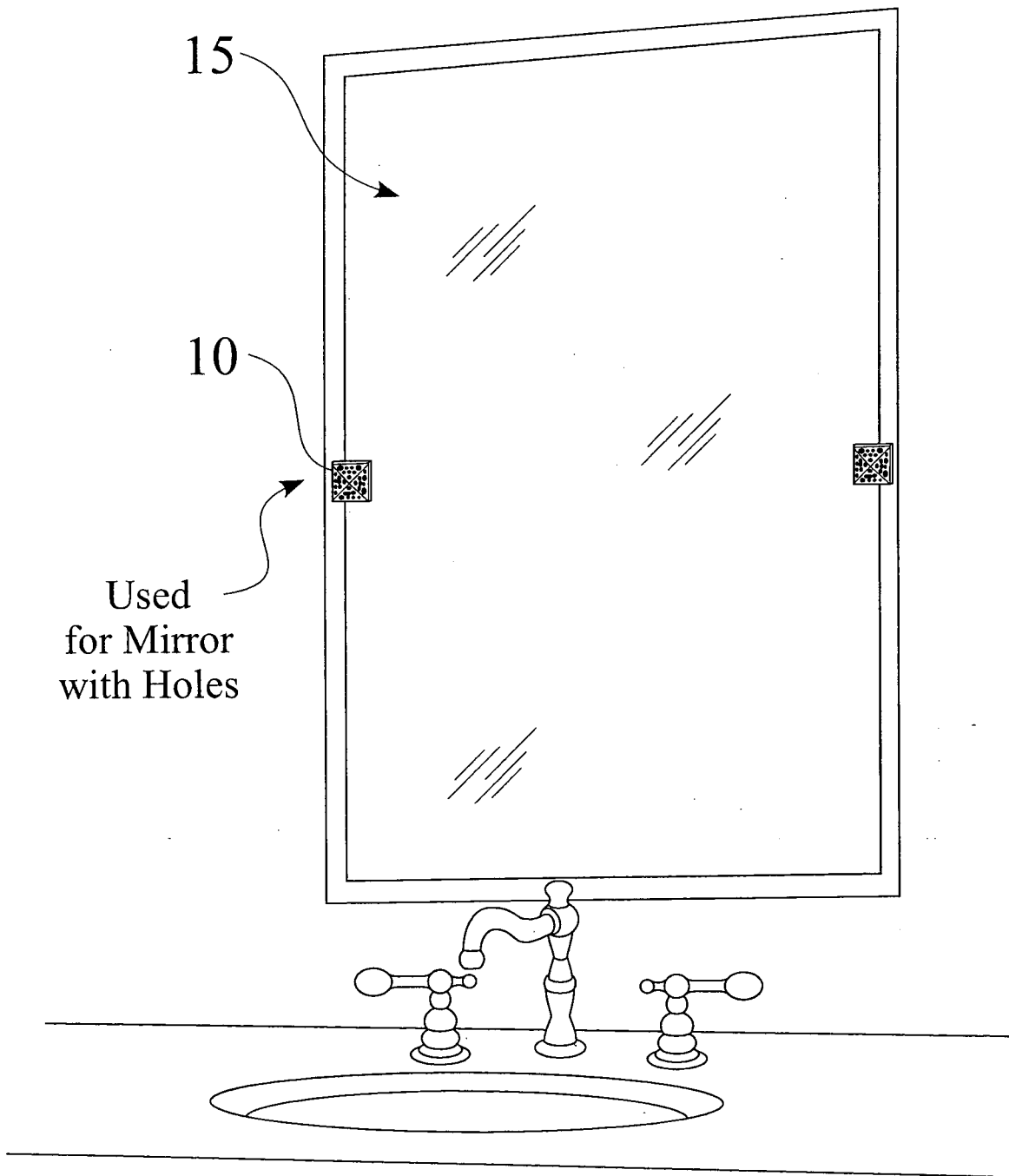


Fig. 16



12/28

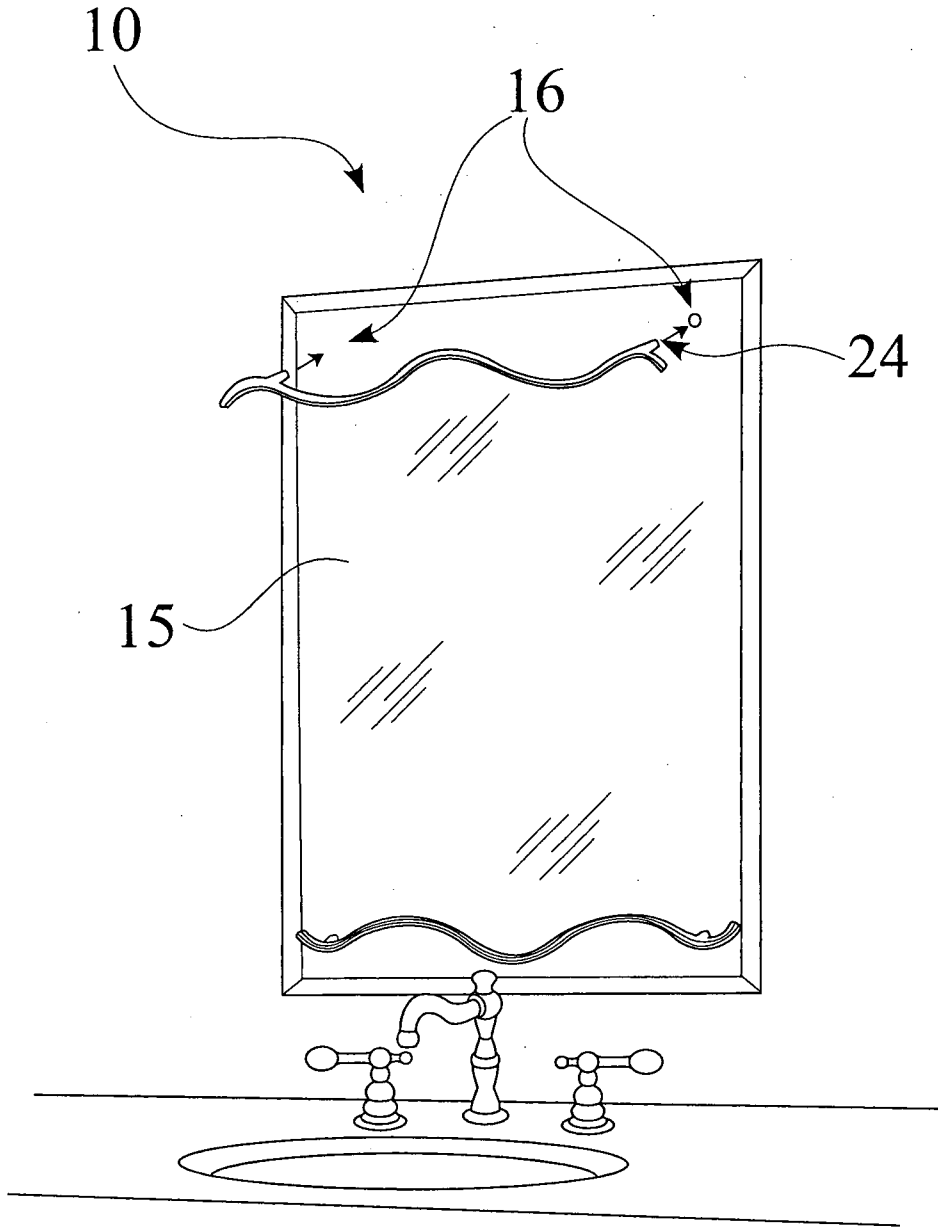


Fig. 18

13/28

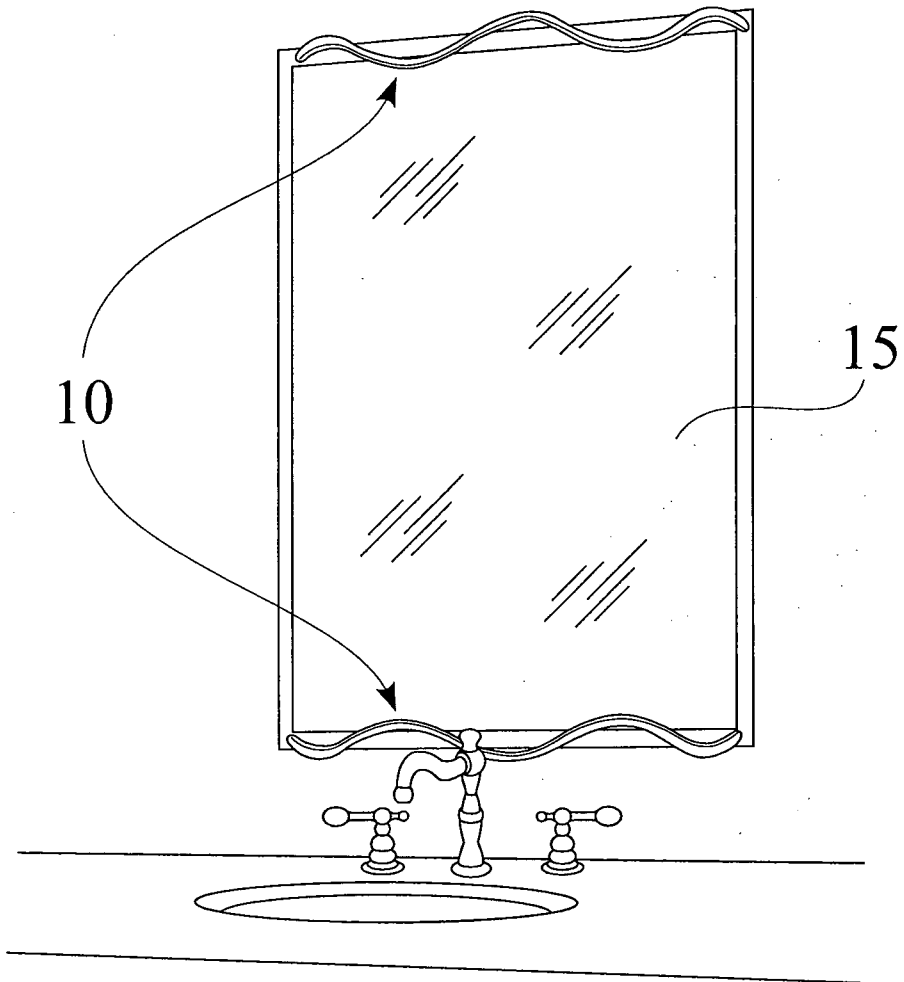


Fig. 19

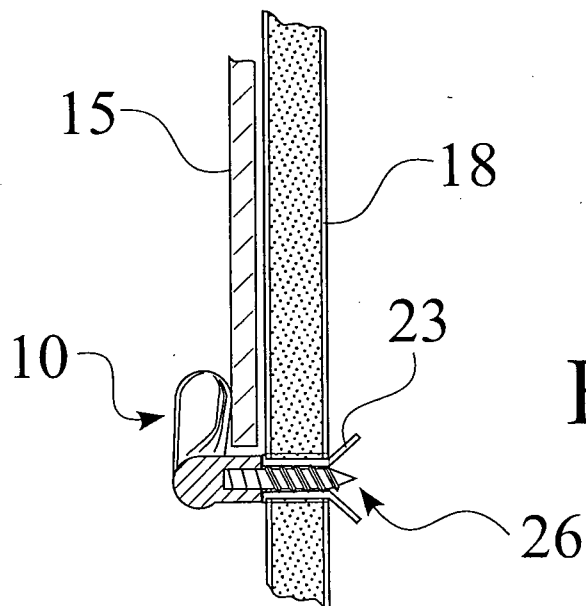


Fig. 20

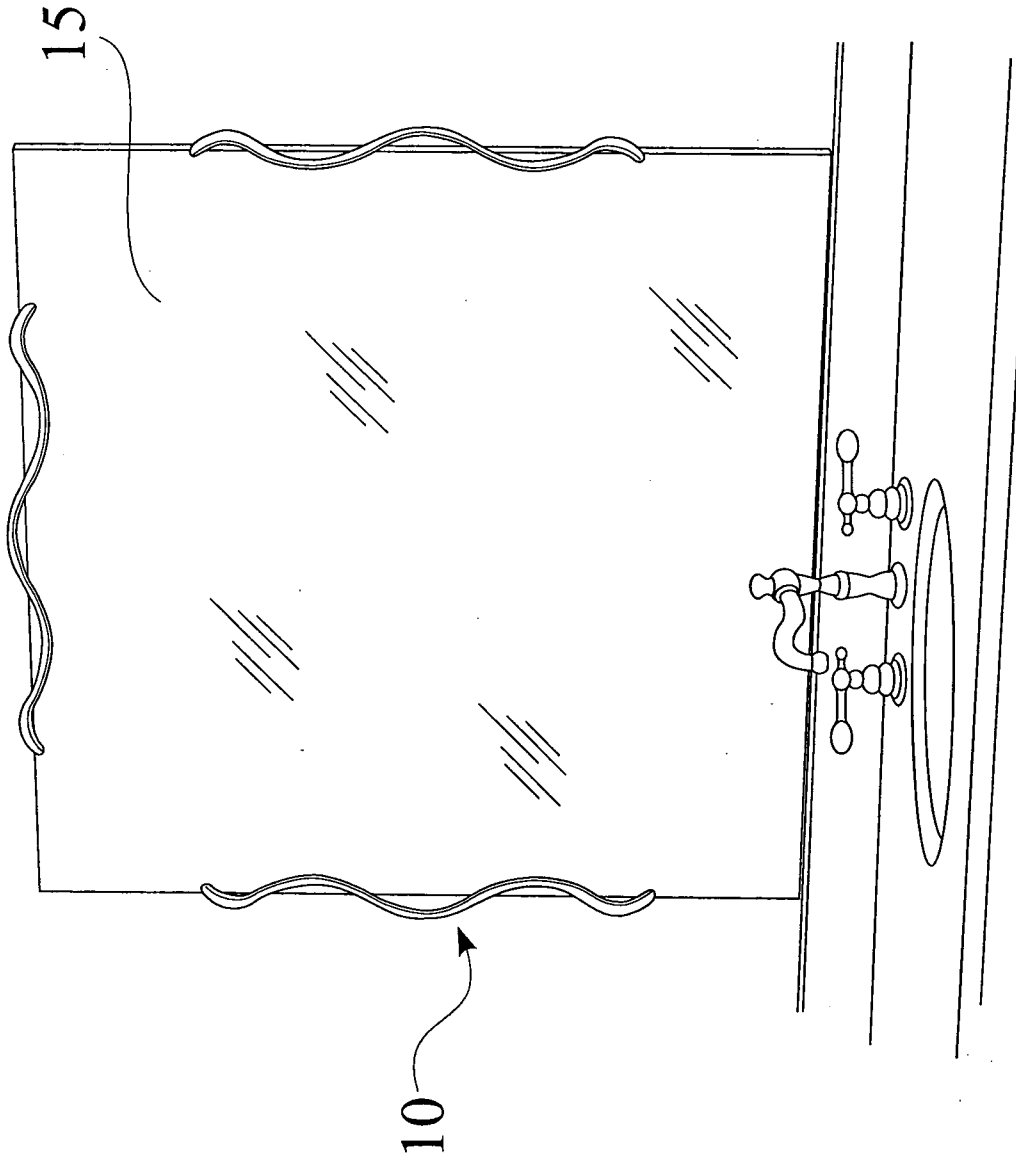


Fig. 21

15/28

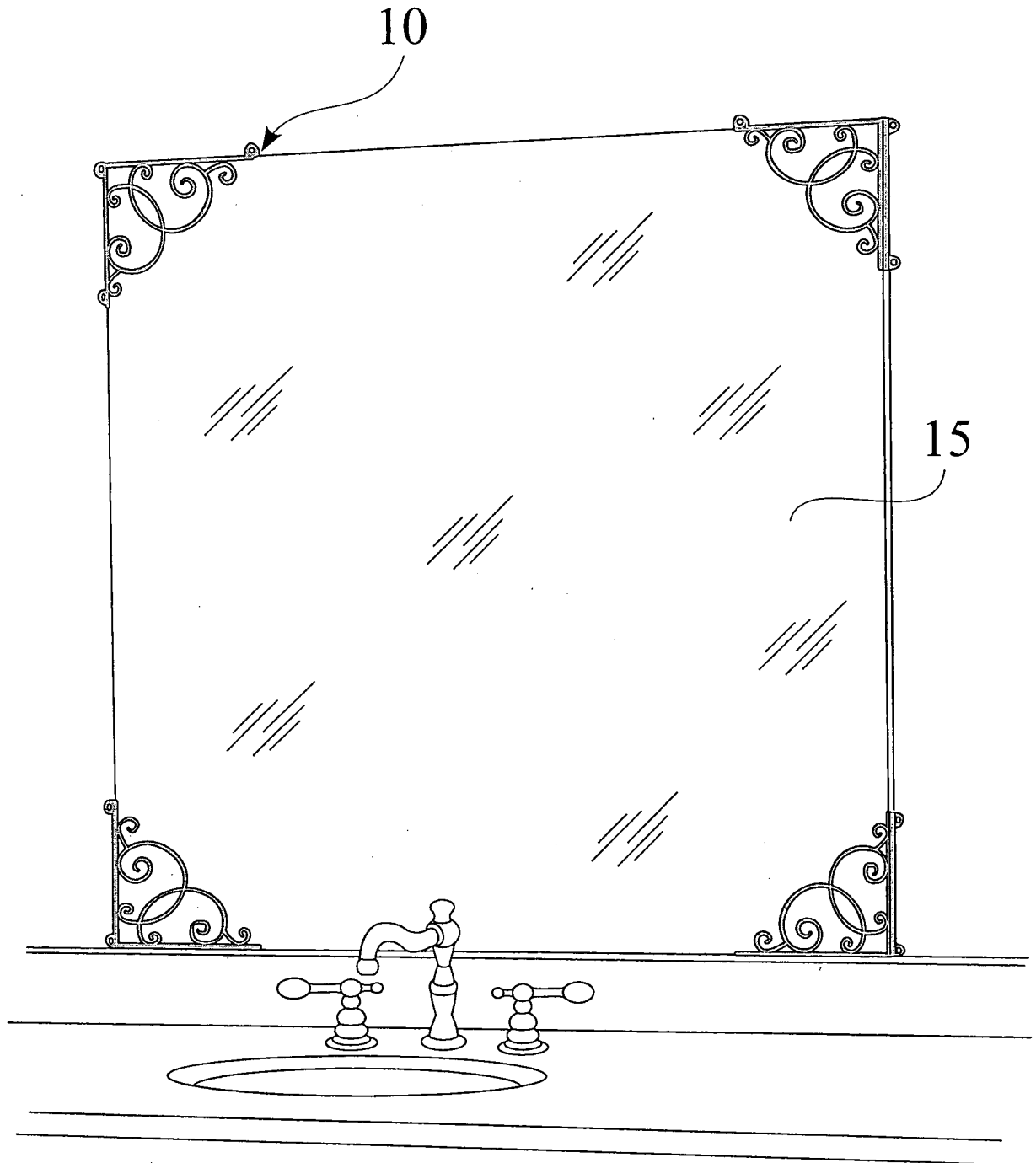


Fig. 22

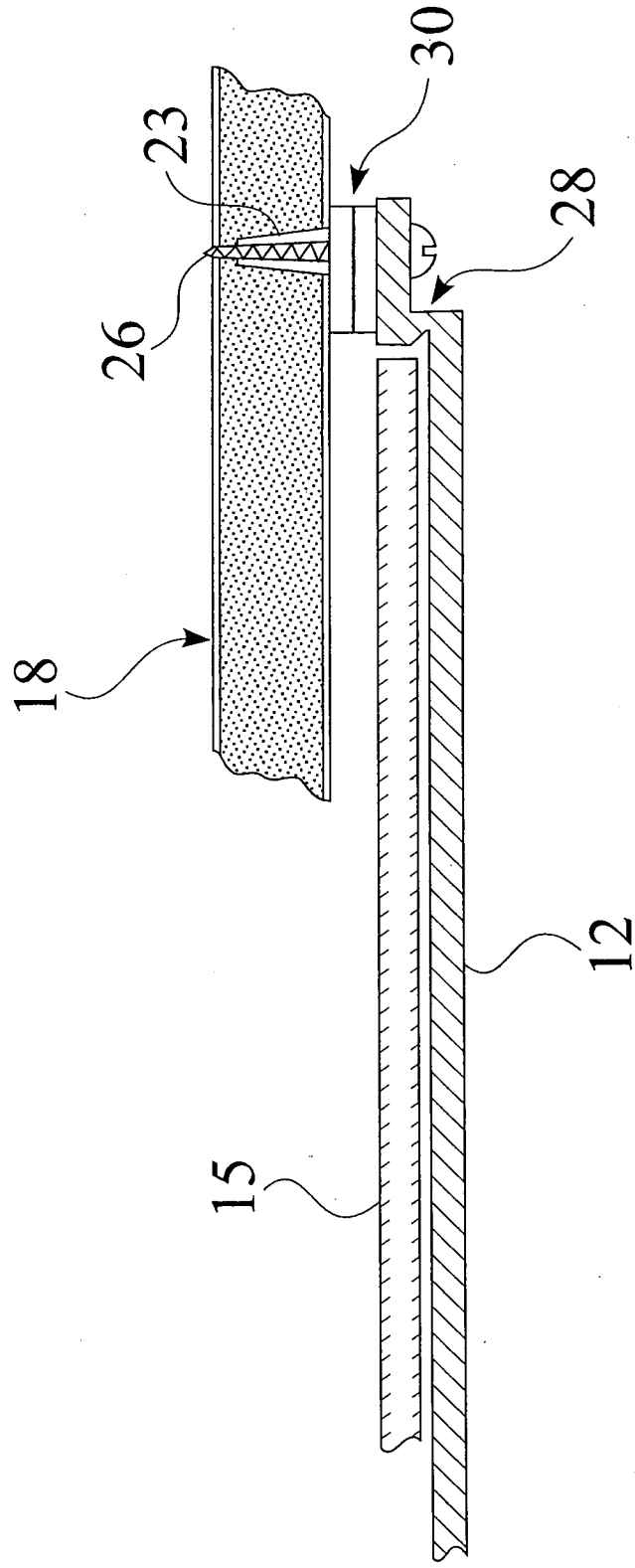


Fig. 23

17/28

Fig. 24

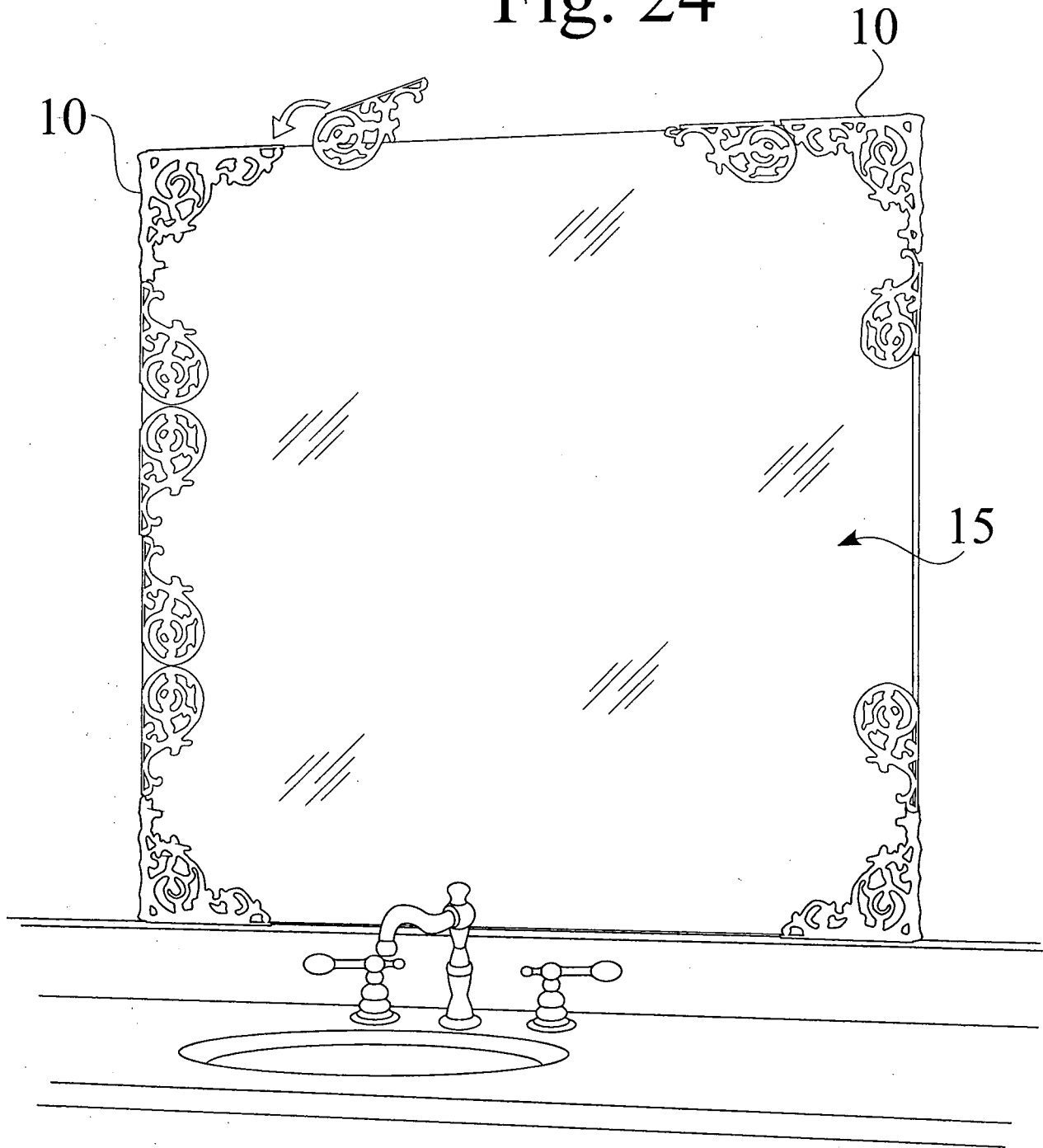
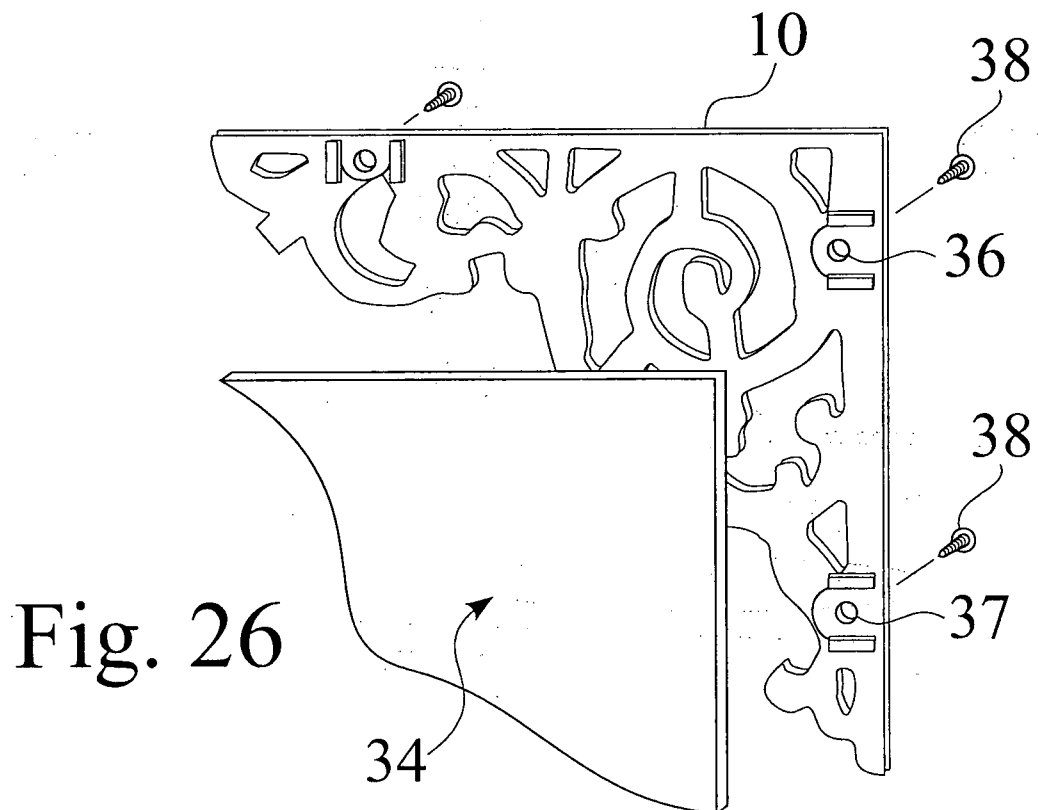
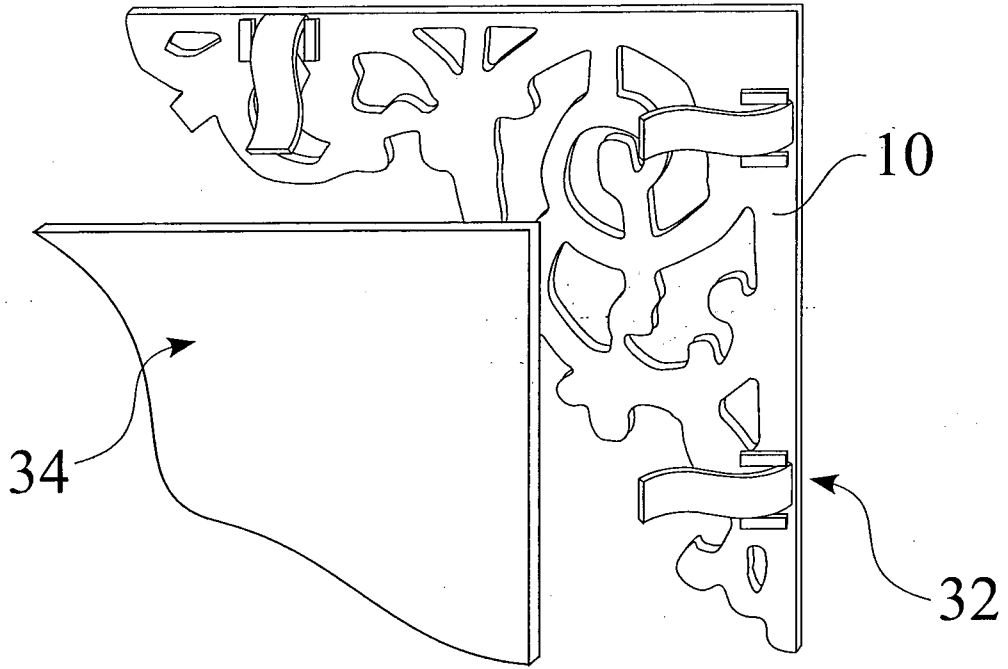


Fig. 25



19/28

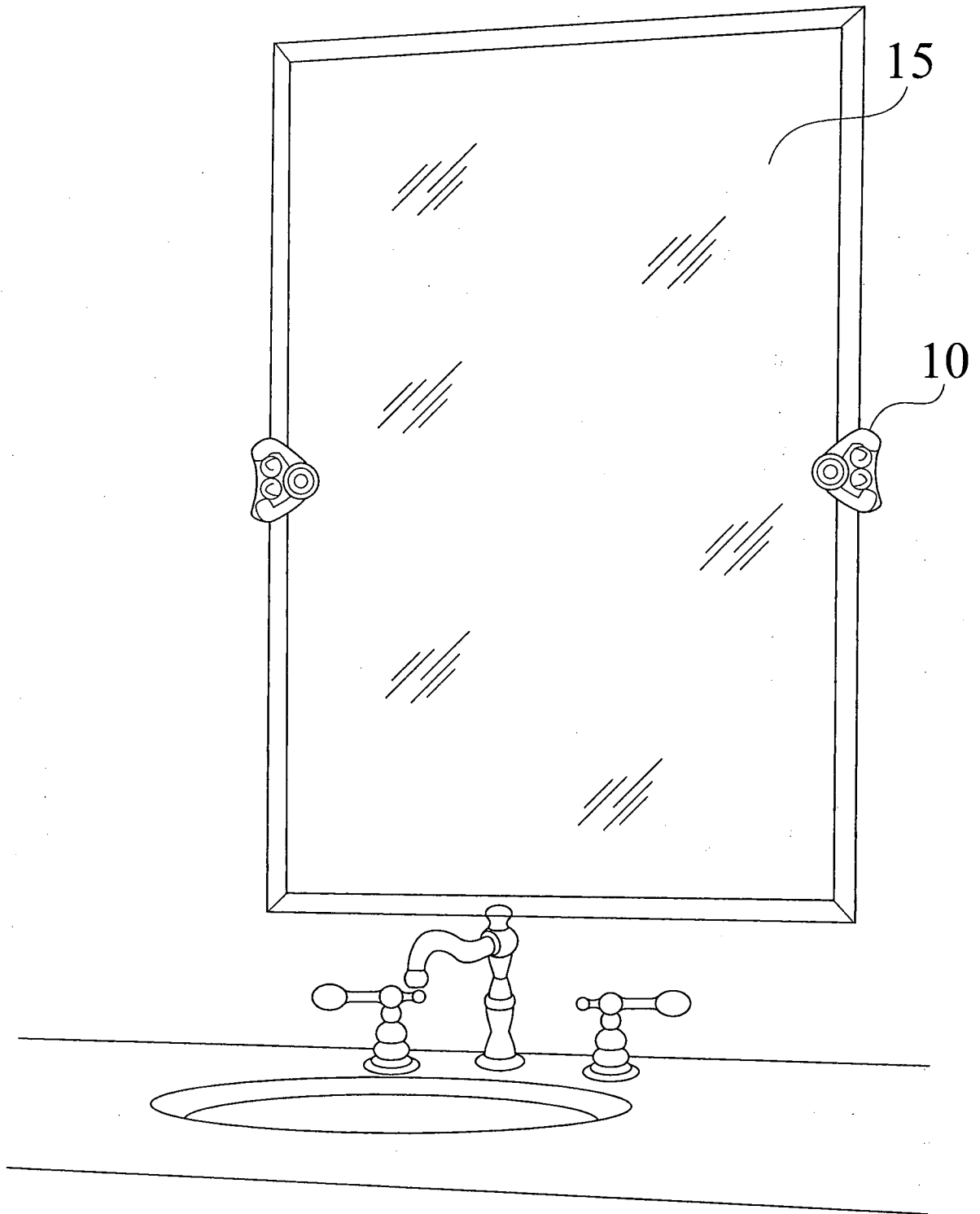


Fig. 27

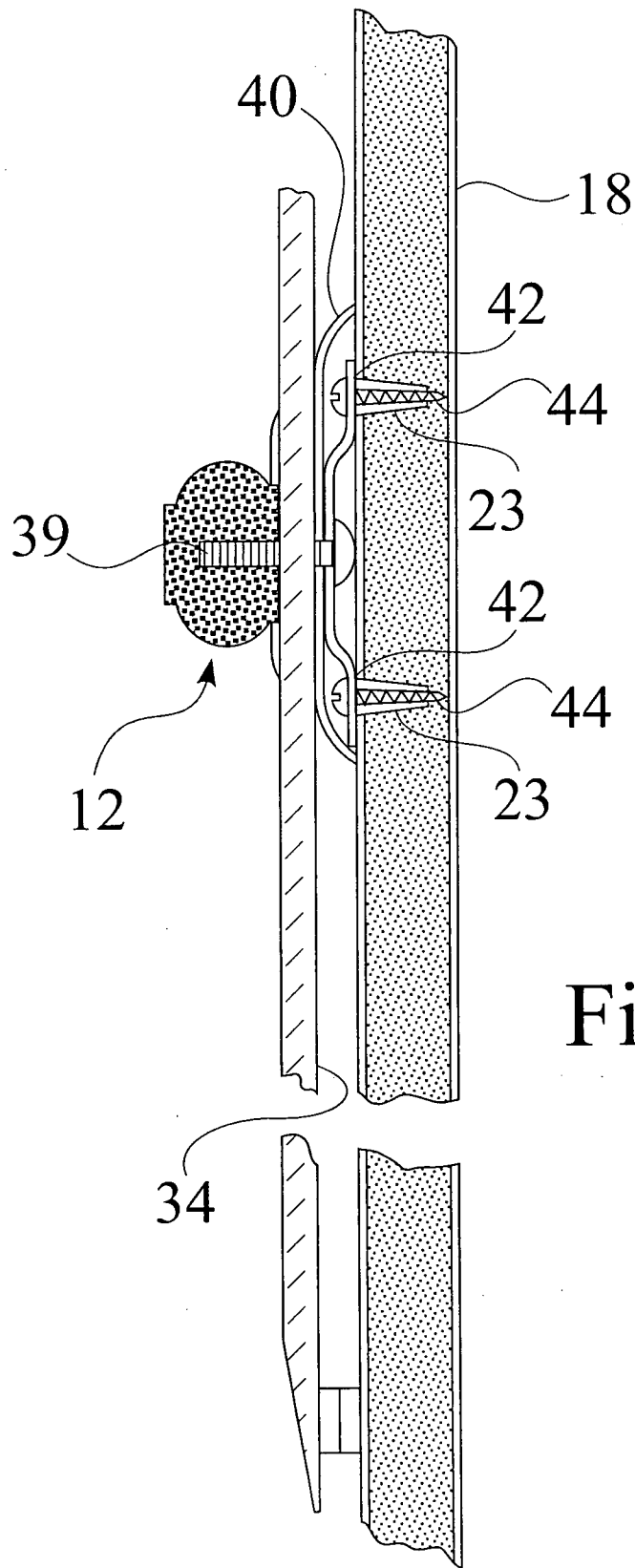


Fig. 28

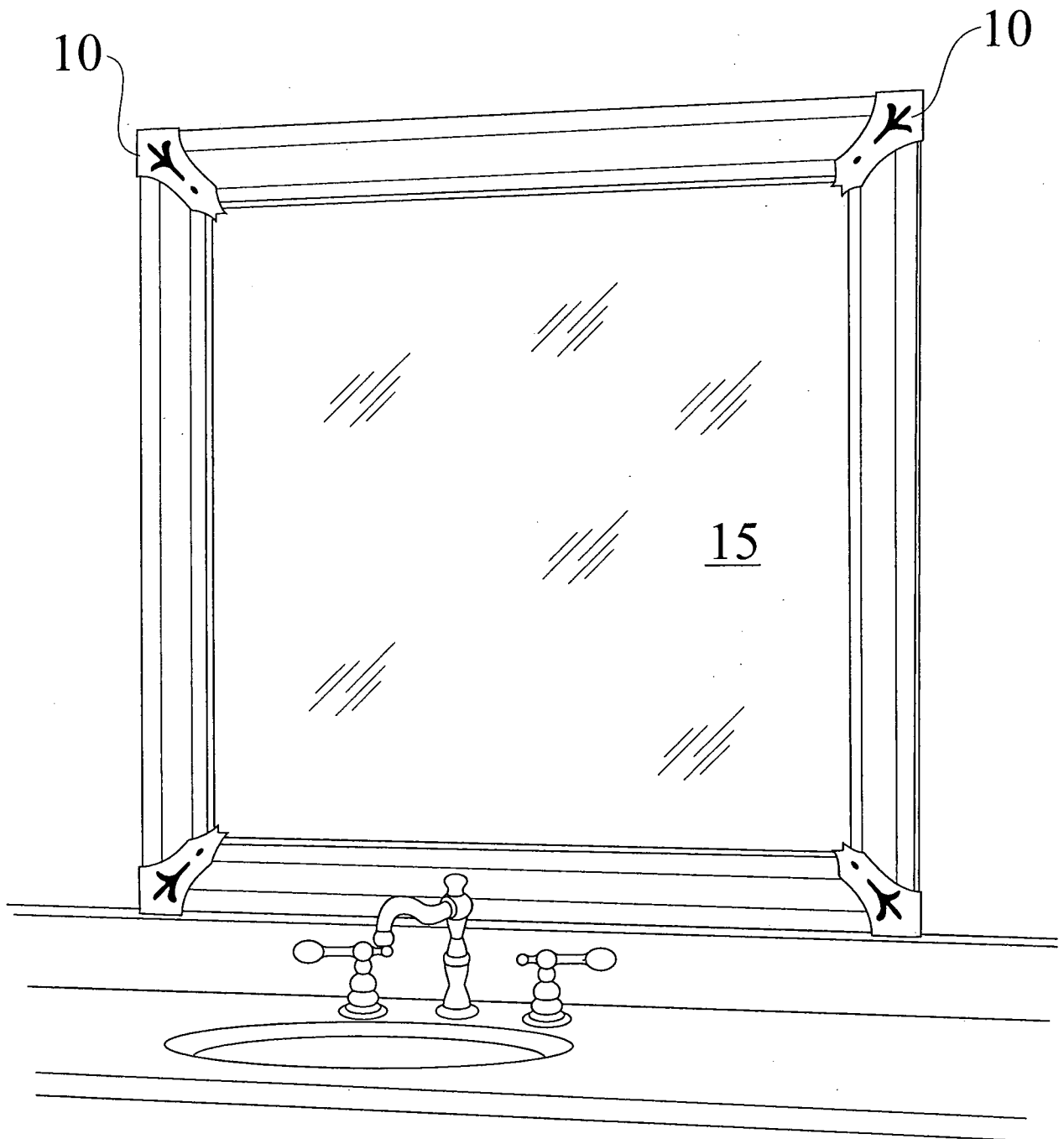


Fig. 29

Fig. 30

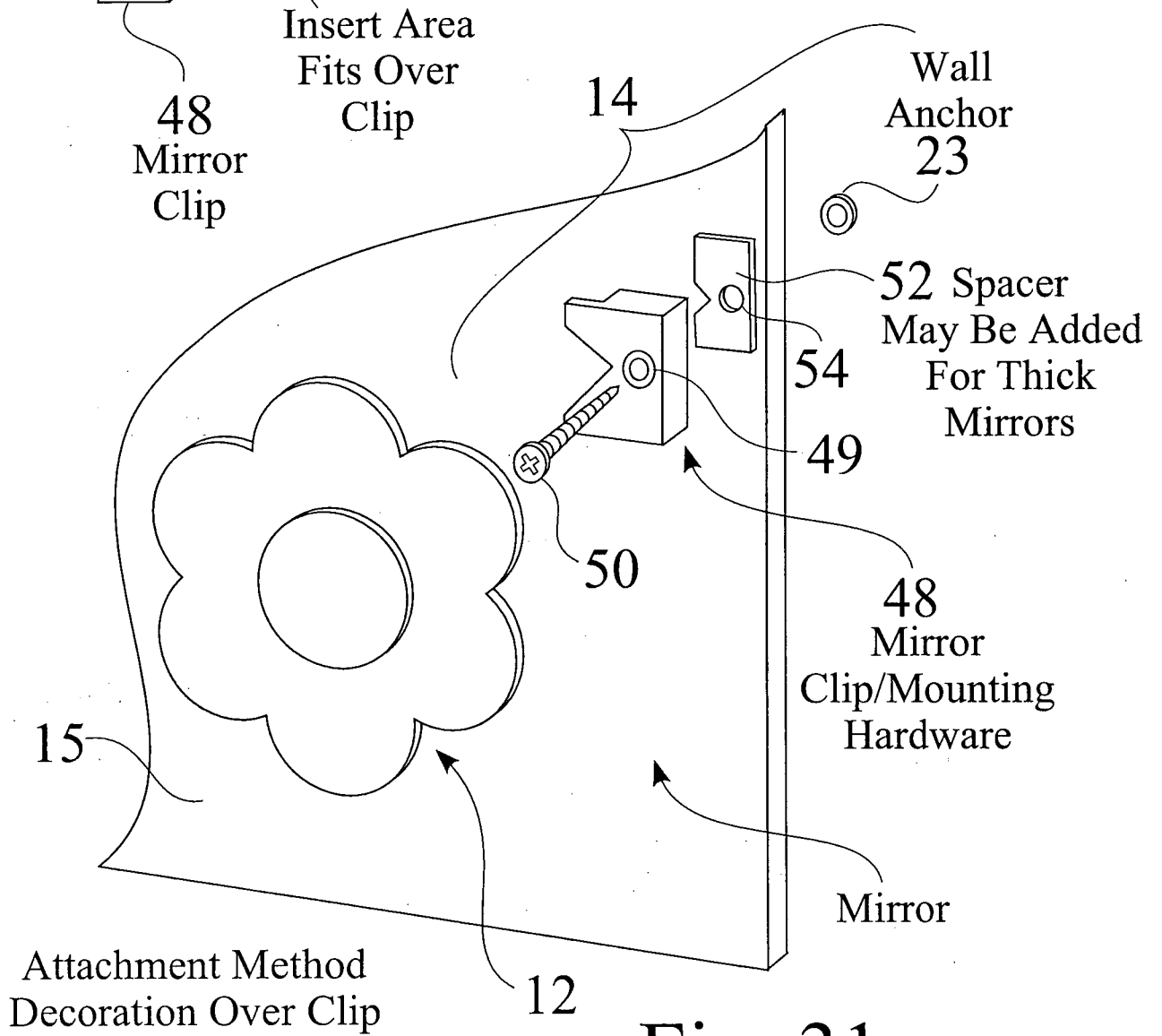
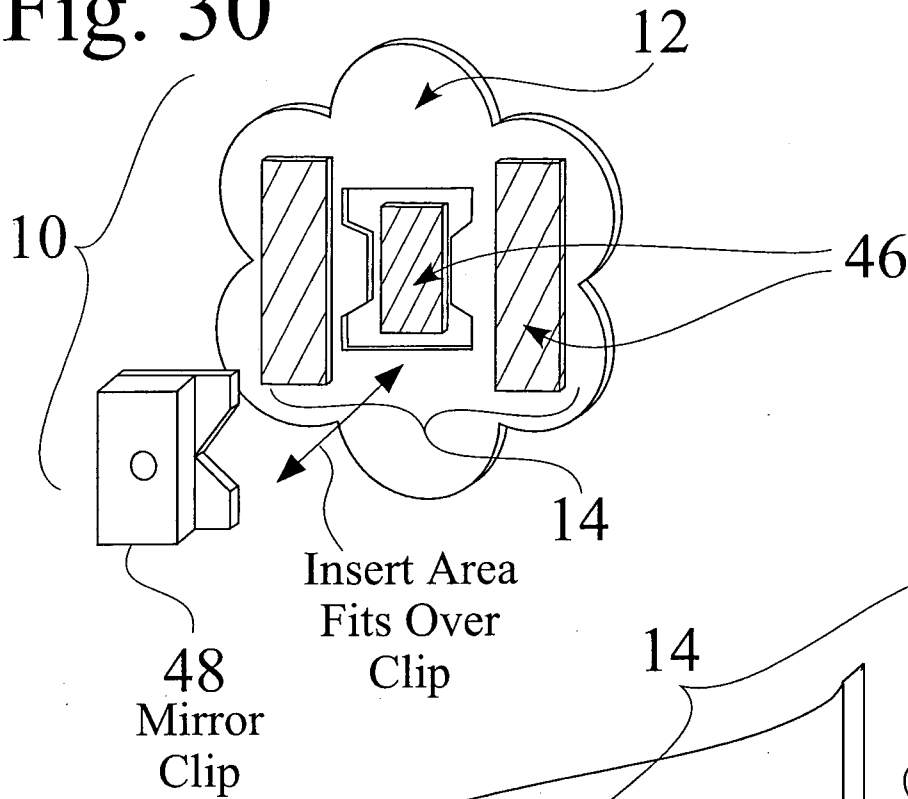
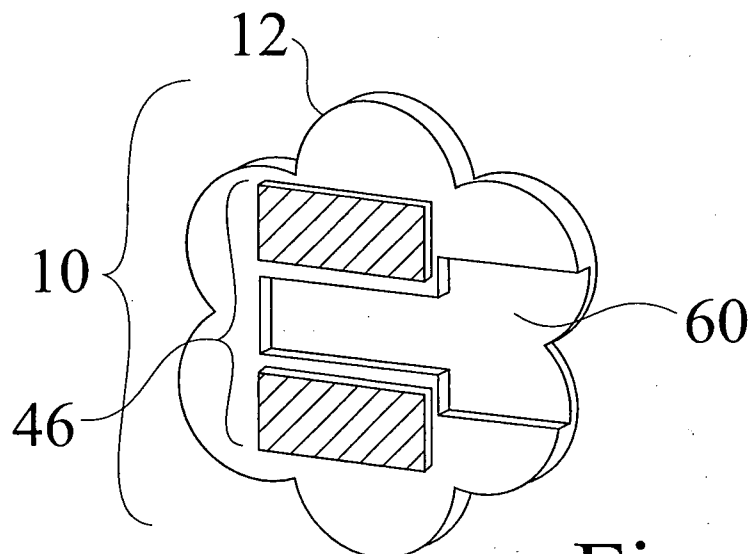
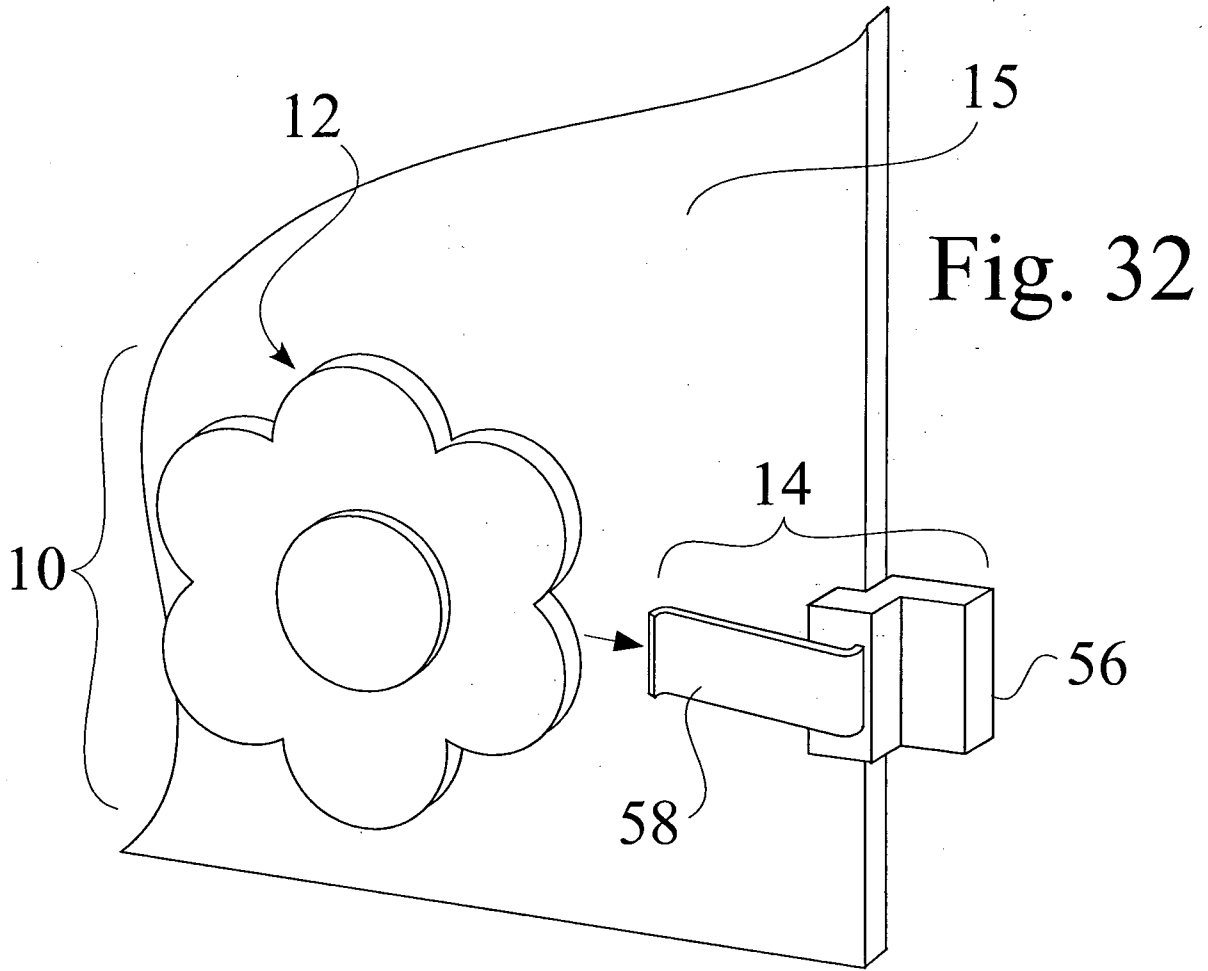


Fig. 31



Back of  
Decoration

Fig. 33

Method Decoration Over  
Mounting Hardware with Spring Clip

Fig. 34

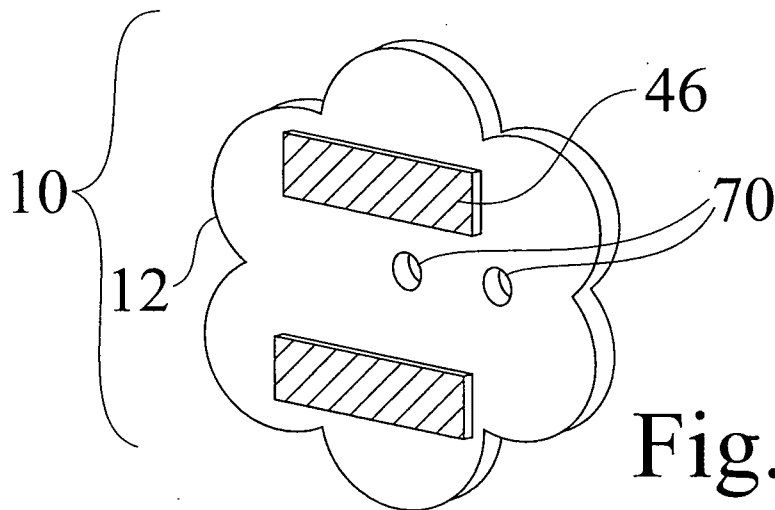
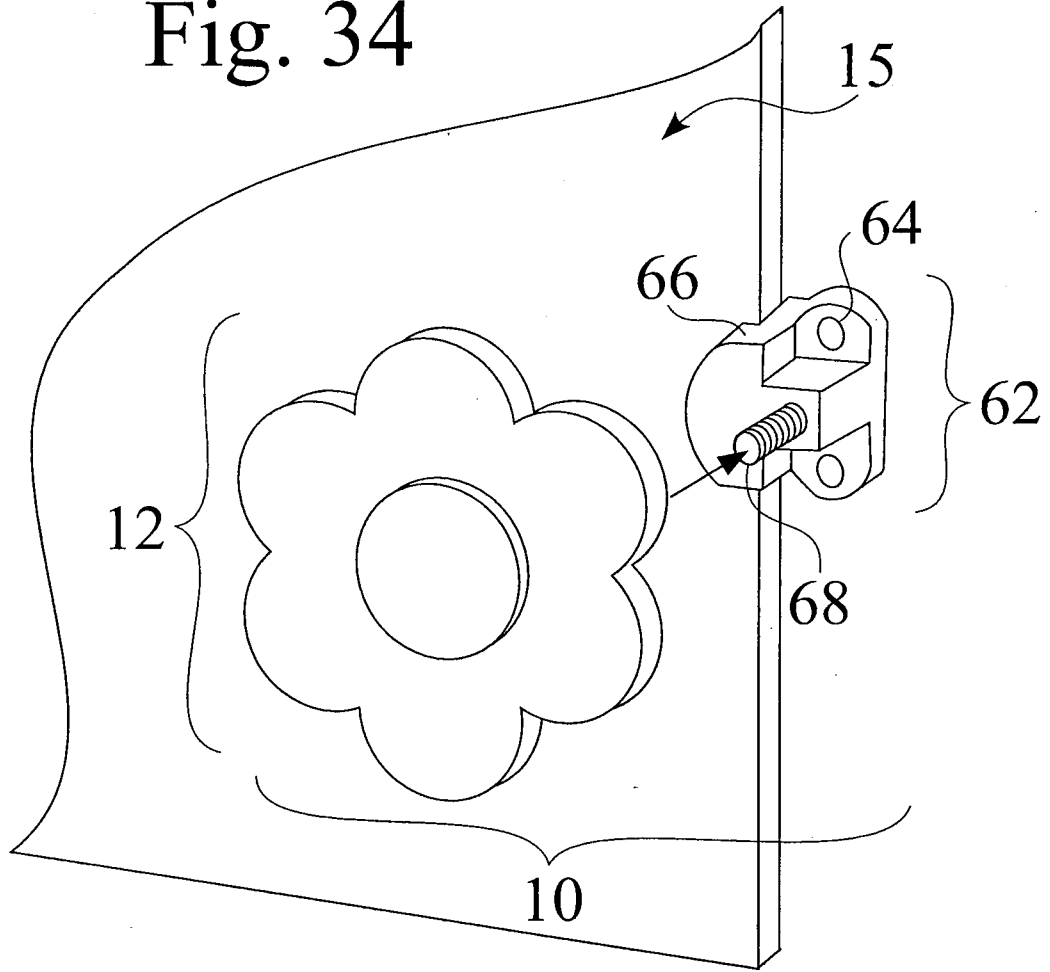


Fig. 35

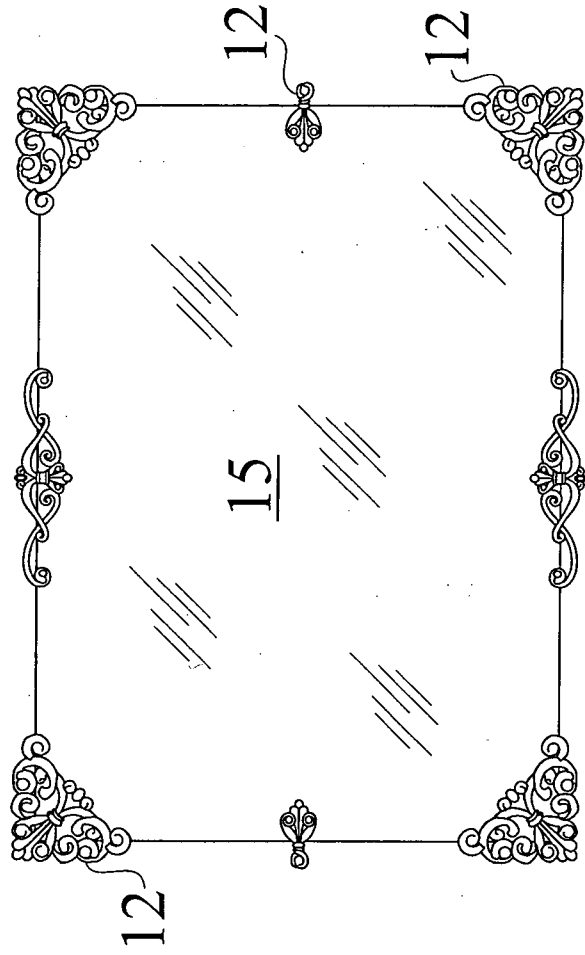
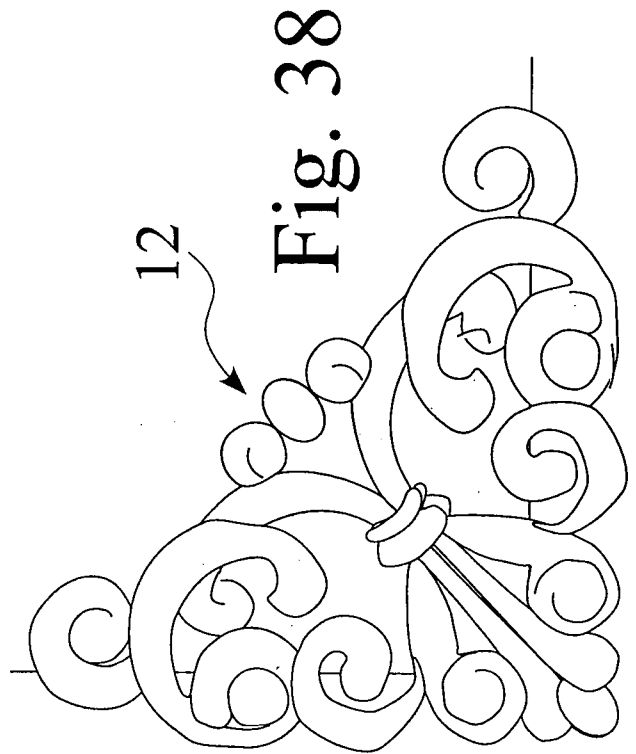
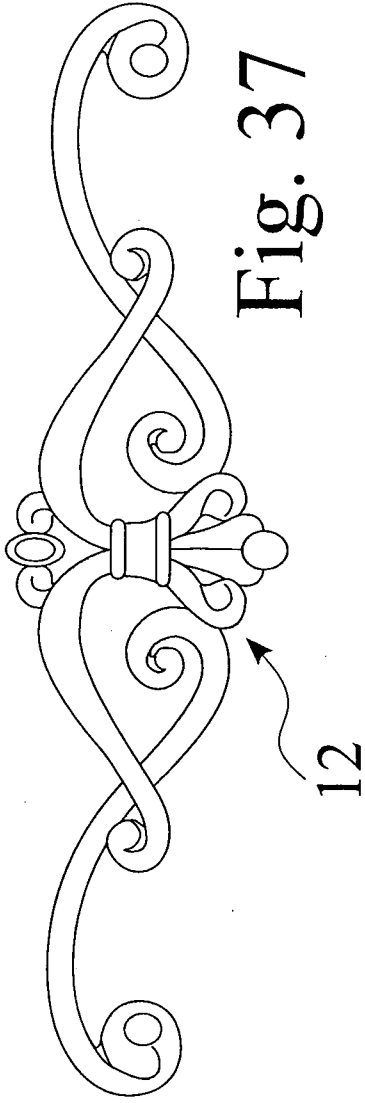
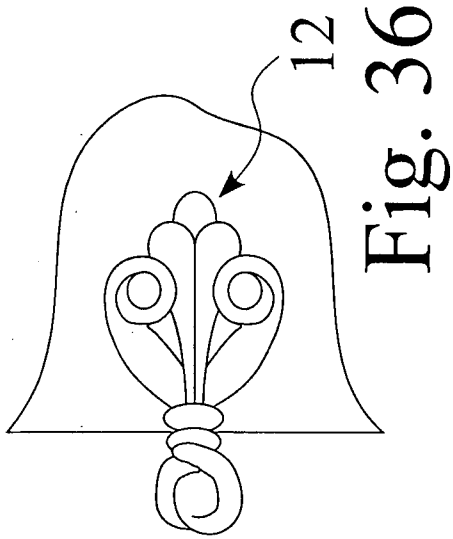


Fig. 39

26/28

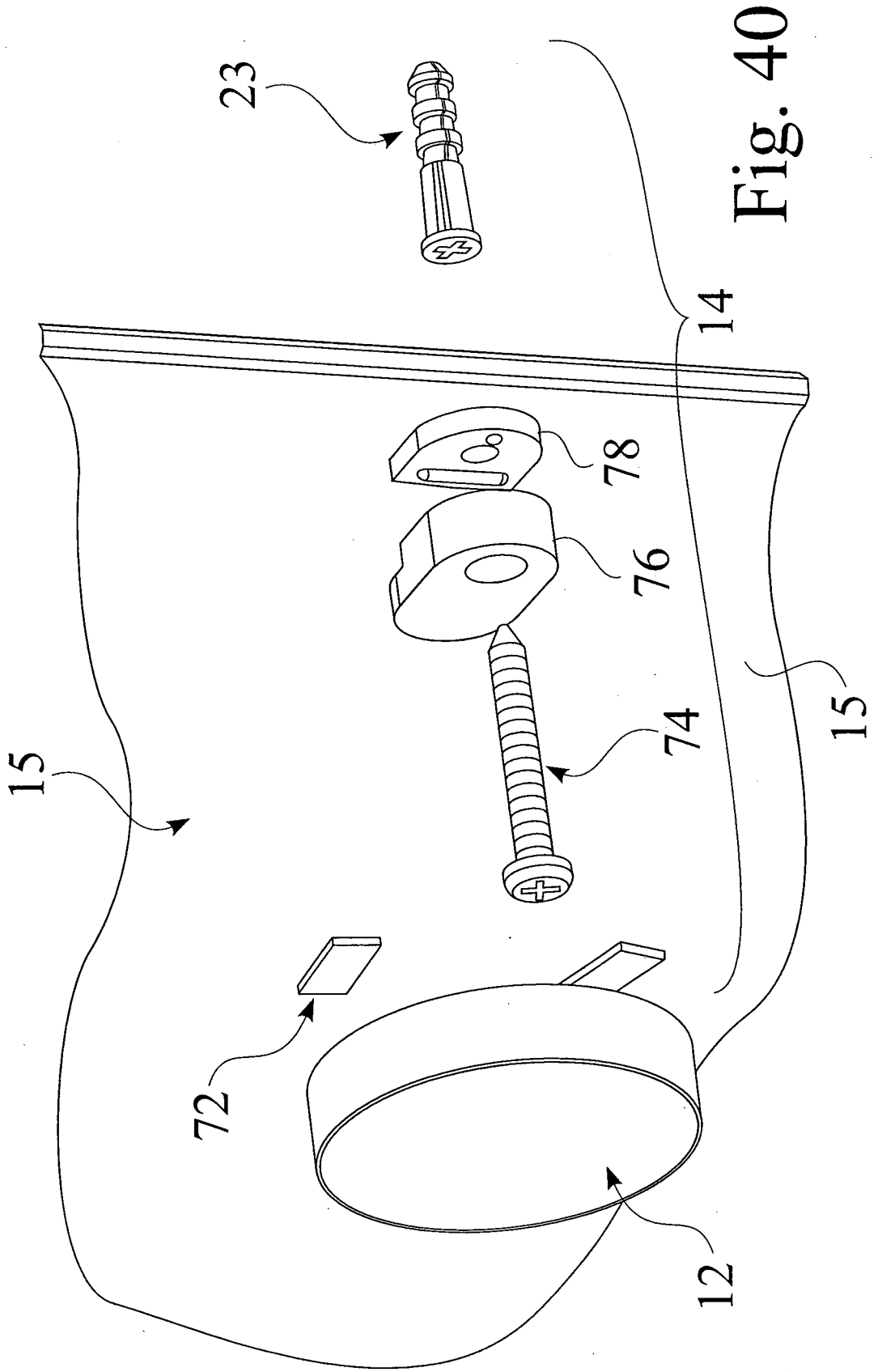


Fig. 40

27/28

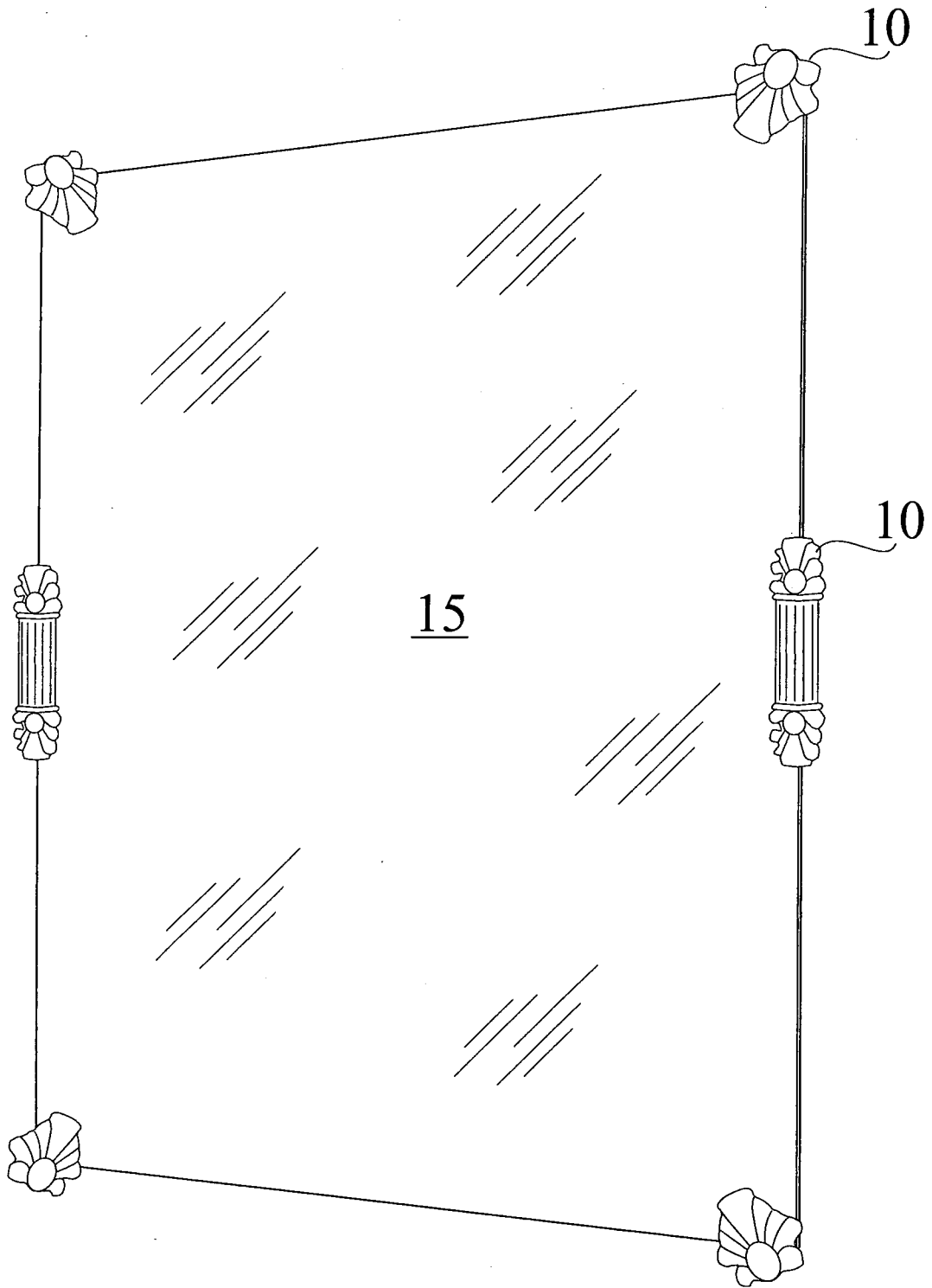


Fig. 41

