



(51) International Patent Classification:

G06Q 40/04 (2012.01) H04L 12/26 (2006.01)
G06Q 30/06 (2012.01) H04L 29/08 (2006.01)
G06Q 30/08 (2012.01)

(21) International Application Number:

PCT/US2018/035969

(22) International Filing Date:

05 June 2018 (05.06.2018)

(25) Filing Language:

English

(26) Publication Language:

English

(30) Priority Data:

62/534,050 18 July 2017 (18.07.2017) US
15/997,232 04 June 2018 (04.06.2018) US

(71) Applicant: NASDAQ, INC. [US/US]; One Liberty Plaza,
165 Broadway, New York, NY 10006 (US).

(72) Inventors: VACCARO, John; C/o Nasdaq Inc., Og/ipr Department, 805 King Farm Boulevard, Rockville, MD 20850 (US). MACK, Charles; C/o Nasdaq Inc., Og/ipr Department, 805 King Farm Boulevard, Rockville, MD 20850 (US). TSIPORUKHA, Andrey; C/o Nasdaq Inc., Og/ipr Department, 805 King Farm Boulevard, Rockville, MD 20850 (US). COHEN, Tal; C/o Nasdaq Inc., Og/ipr Department, 805 King Farm Boulevard, Rockville, MD 20850 (US). OPPENHEIMER, Andrew; C/o Nasdaq Inc., Og/ipr Department, 805 King Farm Boulevard, Rockville, MD 20850 (US). PREM, Kyle; C/o Nasdaq Inc., Og/ipr Department, 805 King Farm Boulevard, Rockville, MD 20850 (US).

(74) Agent: CHAPIN, Adam; Nixon & Vanderhye P.C., 901 North Glebe Road, 11th Floor, Arlington, VA 22203-1808 (US).

(81) Designated States (unless otherwise indicated, for every kind of national protection available): AE, AG, AL, AM,

(54) Title: DELAYED PROCESSING FOR ELECTRONIC DATA MESSAGES IN A DISTRIBUTED COMPUTER SYSTEM

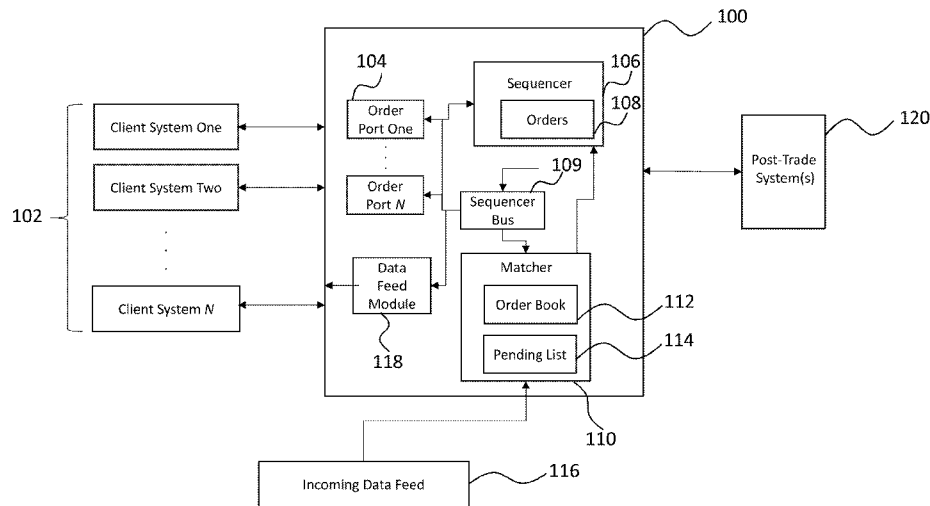


FIG. 1

(57) Abstract: A distributed computer system is provided. The distributed computer system includes at least one sequencer computing node and at least one matcher computing node. Electronic data messages are sequenced by the sequencer and sent to at least matcher computing node. The matcher computing node receives the electronic data messages and a reference value from an external computing source. New electronic data messages are put into a pending list before they can be acted upon by the matcher. A timer is started based on a comparison of the reference value (or a calculation based thereon) to at least one attribute or value of a new electronic data message. When the timer expires, the electronic data message is moved from the pending list to another list - where it is eligible to be matched against other, contra-side electronic data messages.



AO, AT, AU, AZ, BA, BB, BG, BH, BN, BR, BW, BY, BZ, CA, CH, CL, CN, CO, CR, CU, CZ, DE, DJ, DK, DM, DO, DZ, EC, EE, EG, ES, FI, GB, GD, GE, GH, GM, GT, HN, HR, HU, ID, IL, IN, IR, IS, JO, JP, KE, KG, KH, KN, KP, KR, KW, KZ, LA, LC, LK, LR, LS, LU, LY, MA, MD, ME, MG, MK, MN, MW, MX, MY, MZ, NA, NG, NI, NO, NZ, OM, PA, PE, PG, PH, PL, PT, QA, RO, RS, RU, RW, SA, SC, SD, SE, SG, SK, SL, SM, ST, SV, SY, TH, TJ, TM, TN, TR, TT, TZ, UA, UG, US, UZ, VC, VN, ZA, ZM, ZW.

- (84) Designated States** (*unless otherwise indicated, for every kind of regional protection available*): ARIPO (BW, GH, GM, KE, LR, LS, MW, MZ, NA, RW, SD, SL, ST, SZ, TZ, UG, ZM, ZW), Eurasian (AM, AZ, BY, KG, KZ, RU, TJ, TM), European (AL, AT, BE, BG, CH, CY, CZ, DE, DK, EE, ES, FI, FR, GB, GR, HR, HU, IE, IS, IT, LT, LU, LV, MC, MK, MT, NL, NO, PL, PT, RO, RS, SE, SI, SK, SM, TR), OAPI (BF, BJ, CF, CG, CI, CM, GA, GN, GQ, GW, KM, ML, MR, NE, SN, TD, TG).

Published:

— *with international search report (Art. 21(3))*

(88) Date of publication of the international search report:

27 June 2019 (27.06.2019)

INTERNATIONAL SEARCH REPORT

International application No.

PCT/US2018/035969

A. CLASSIFICATION OF SUBJECT MATTER

IPC(8) - G06Q 40/04; G06Q 30/06; G06Q 30/08; H04L 12/26; H04L 29/08 (2018.01)

CPC - G06F 9/544; G06Q 40/04; G06F 9/542; G06Q 30/0633; G06Q 30/08 (2018.08)

According to International Patent Classification (IPC) or to both national classification and IPC

B. FIELDS SEARCHED

Minimum documentation searched (classification system followed by classification symbols)

See Search History document

Documentation searched other than minimum documentation to the extent that such documents are included in the fields searched

USPC - 707/999.107; 709/202; 709/224 (keyword delimited)

Electronic data base consulted during the international search (name of data base and, where practicable, search terms used)

See Search History document

C. DOCUMENTS CONSIDERED TO BE RELEVANT

Category*	Citation of document, with indication, where appropriate, of the relevant passages	Relevant to claim No.
X	US 2017/0046783 A1 (CHICAGO MERCANTILE EXCHANGE INC.) 16 February 2017 (16.02.2017) entire document	1-20
A	US 2008/0021994 A1 (GRELEWICZ et al) 24 January 2008 (24.01.2008) entire document	1-20
A	US 2017/0103460 A1 (NASDAQ, INC.) 13 April 2017 (13.04.2017) entire document	1-20
A	US 2017/0004563 A1 (NASDAQ, INC.) 05 January 2017 (05.01.2017) entire document	1-20
A	US 2015/0341422 A1 (OMX TECHNOLOGY AD) 26 November 2015 (26.11.2015) entire document	1-20

 Further documents are listed in the continuation of Box C. See patent family annex.

* Special categories of cited documents:

"A" document defining the general state of the art which is not considered to be of particular relevance

"E" earlier application or patent but published on or after the international filing date

"L" document which may throw doubts on priority claim(s) or which is cited to establish the publication date of another citation or other special reason (as specified)

"O" document referring to an oral disclosure, use, exhibition or other means

"P" document published prior to the international filing date but later than the priority date claimed

"T" later document published after the international filing date or priority date and not in conflict with the application but cited to understand the principle or theory underlying the invention

"X" document of particular relevance; the claimed invention cannot be considered novel or cannot be considered to involve an inventive step when the document is taken alone

"Y" document of particular relevance; the claimed invention cannot be considered to involve an inventive step when the document is combined with one or more other such documents, such combination being obvious to a person skilled in the art

"&" document member of the same patent family

Date of the actual completion of the international search

02 August 2018

Date of mailing of the international search report

27 AUG 2018

Name and mailing address of the ISA/US

Mail Stop PCT, Attn: ISA/US, Commissioner for Patents
P.O. Box 1450, Alexandria, VA 22313-1450

Facsimile No. 571-273-8300

Authorized officer

Blaine R. Copenheaver

PCT Helpdesk: 571-272-4300
PCT OSP: 571-272-7774