



US0D1069330S

(12) **United States Design Patent**
Bennetts

(10) **Patent No.:** **US D1,069,330 S**

(45) **Date of Patent:** **** Apr. 8, 2025**

- (54) **HAIRDRESSING CAPE**
- (71) Applicant: **Wilko Pet Care Pty Ltd, Qld (AU)**
- (72) Inventor: **Belynda Bennetts, Boyland (AU)**
- (73) Assignee: **WILKO PET CARE PTY LTD,**
Boyland (AU)
- (**) Term: **15 Years**

6,769,135 B1 * 8/2004 Monroe A45D 44/08
2/50
7,082,617 B1 * 8/2006 Poindexter A41D 1/215
2/48
D542,509 S * 5/2007 Campbell D2/823
D581,135 S * 11/2008 Peterson D2/823

(Continued)

- (21) Appl. No.: **29/889,404**
- (22) Filed: **Apr. 12, 2023**
- (30) **Foreign Application Priority Data**

Oct. 12, 2022 (AU) 202216020

- (51) **LOC (15) Cl.** **02-02**
- (52) **U.S. Cl.**
USPC **D2/861**
- (58) **Field of Classification Search**
USPC D2/861, 860, 864
CPC A41D 13/04; A41D 13/10; A45D 44/08
See application file for complete search history.

(56) **References Cited**

U.S. PATENT DOCUMENTS

- D115,064 S * 5/1939 Fadie D2/823
- 2,416,609 A * 2/1947 Brehm A41D 13/04
2/50
- 2,417,888 A * 3/1947 Schuster A41D 1/215
D2/854
- 3,416,157 A * 12/1968 Grippo A41B 13/10
493/379
- 4,025,961 A * 5/1977 Peters A45D 44/08
2/88
- D311,808 S * 11/1990 Chvilicek D29/101.2
- 4,995,116 A * 2/1991 Beauchamp A41D 1/215
2/104
- 6,345,392 B1 * 2/2002 Rios A41B 13/10
2/48

OTHER PUBLICATIONS

Waterproof Hair Dye Cape, posted to amazon.com by Yelegai.
Available Date: Dec. 5, 2020 [site visited Sep. 18, 2024] Available:
<<https://www.amazon.ca/YELEGAI-Waterproof-unisex-adult-Comb-Out-Stylist/dp/B08N9QYWLN?th=1>> (Year: 2020).*

Primary Examiner — Kevin K Rudzinski
(74) *Attorney, Agent, or Firm* — Ware Fressola Maguire
& Barber LLP

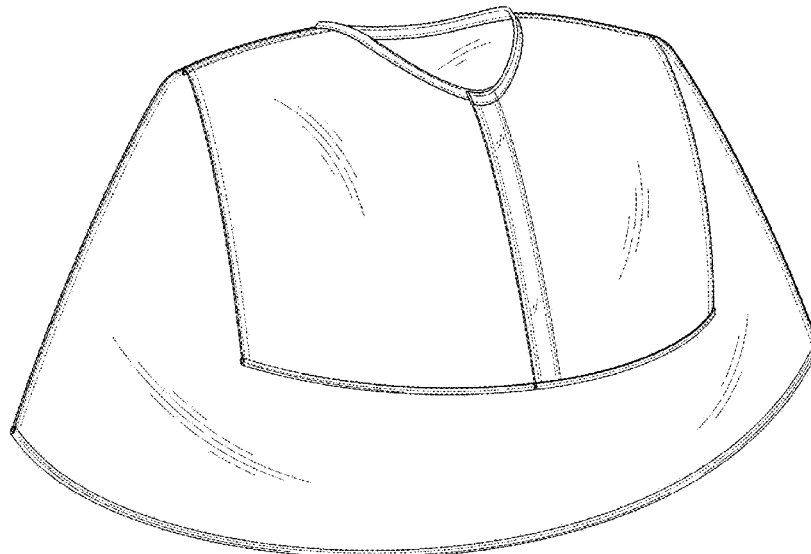
(57) **CLAIM**

The ornamental design for a hairdressing cape, as shown and described.

DESCRIPTION

FIG. 1 is an upper perspective view of a hairdressing cape;
FIG. 2 is a front view thereof;
FIG. 3 is a rear view thereof;
FIG. 4 is a first side view thereof;
FIG. 5 is a second side view thereof;
FIG. 6 is a top view thereof;
FIG. 7 is a bottom view thereof; and,
FIG. 8 is an upper perspective view of the hairdressing cape fitted to a subject, showing the environment.
The small broken lines shown stitching illustrates portions of the hairdressing cape and form no part of the claimed design. The large broken lines in FIG. 8 showing a human form illustrates environment and forms no part of the claimed design.

1 Claim, 8 Drawing Sheets



(56)

References Cited

U.S. PATENT DOCUMENTS

| | | | | | |
|--------------|------|--------|------------------|-------------|------|
| 8,161,572 | B1 * | 4/2012 | Rorke | A41D 31/065 | |
| | | | | | 2/50 |
| D667,610 | S * | 9/2012 | Levitas | D2/861 | |
| D739,644 | S * | 9/2015 | Ostahowski | D2/824 | |
| D777,407 | S * | 1/2017 | Collins | D2/823 | |
| D779,165 | S * | 2/2017 | Valente | D2/854 | |
| D816,275 | S * | 4/2018 | Jackson | D29/101.4 | |
| D840,640 | S * | 2/2019 | Visser | D2/861 | |
| D912,893 | S * | 3/2021 | Galekovic | D28/9 | |
| D992,242 | S * | 7/2023 | Williams | D2/854 | |
| D1,009,411 | S * | 1/2024 | Thomas | D2/823 | |
| D1,021,335 | S * | 4/2024 | McDonnell | D2/823 | |
| D1,027,390 | S * | 5/2024 | Smith | D2/860 | |
| 2010/0100996 | A1 * | 4/2010 | Zitscher | A45D 44/08 | |
| | | | | | 2/50 |
| 2015/0059046 | A1 * | 3/2015 | Andrews | A45D 44/08 | |
| | | | | | 2/50 |

* cited by examiner

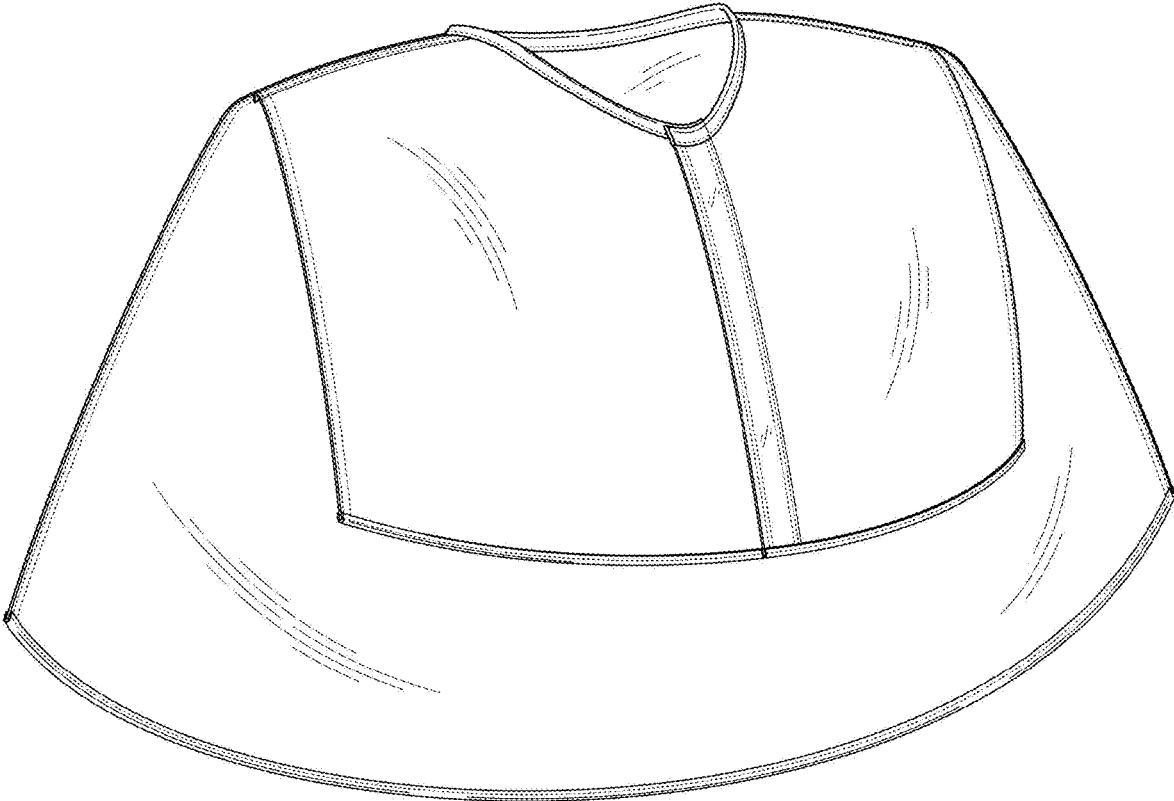


FIG. 1

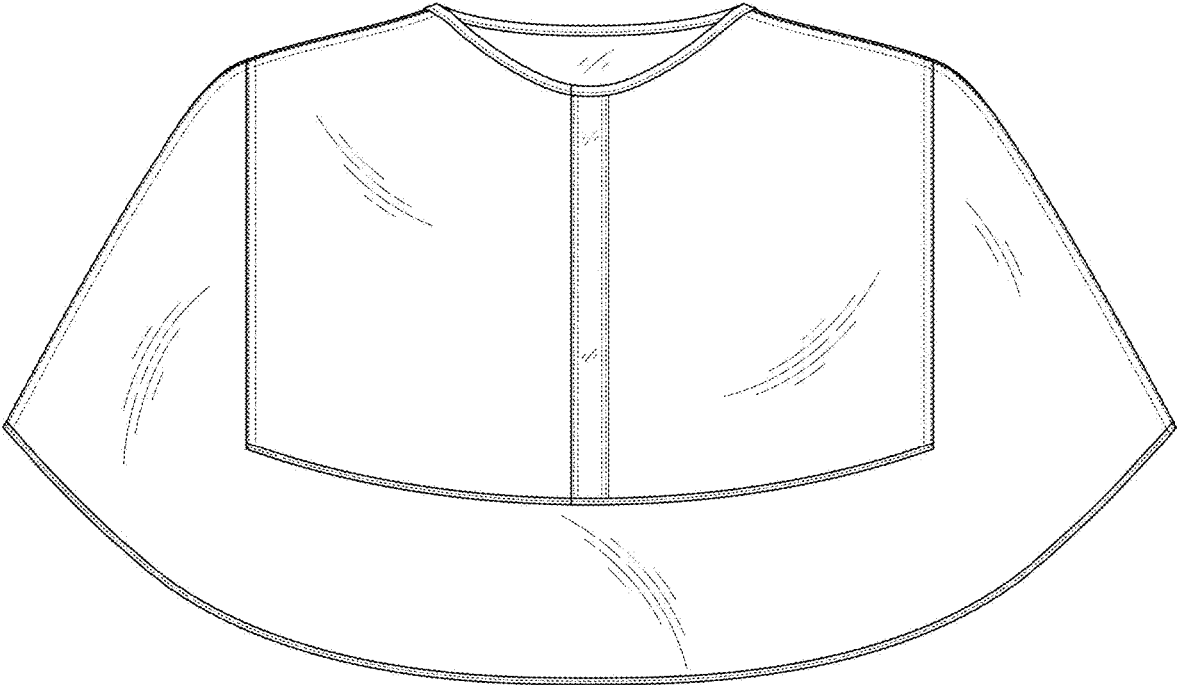


FIG. 2

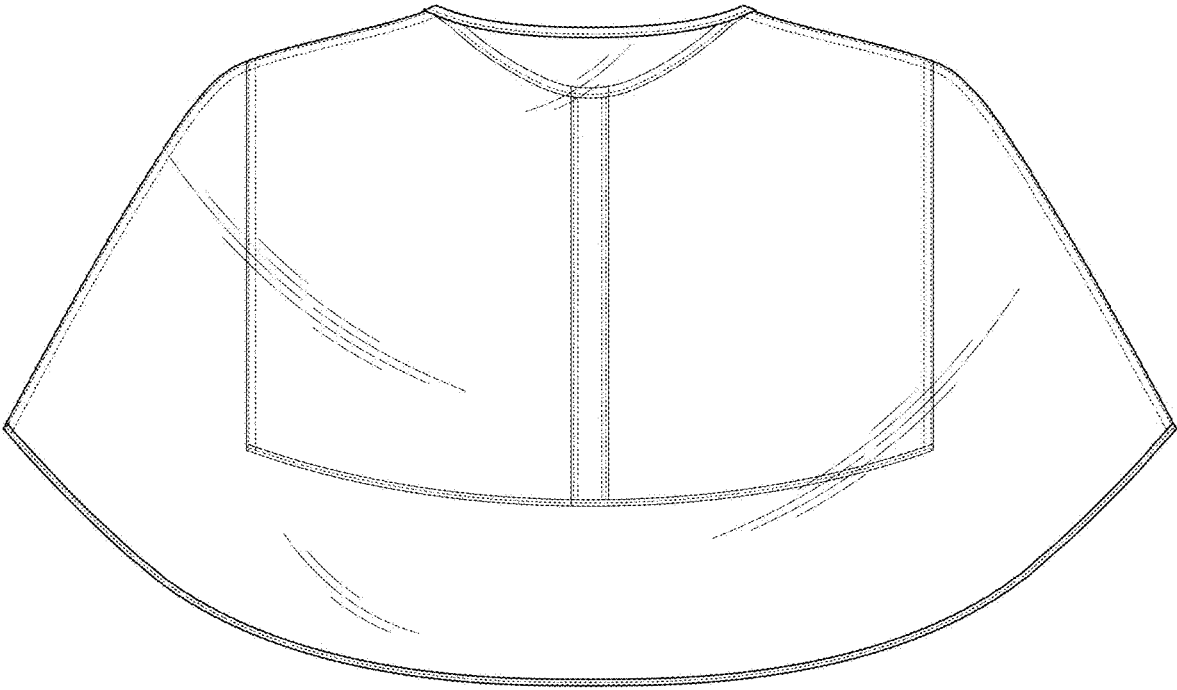


FIG. 3



FIG. 4



FIG. 5

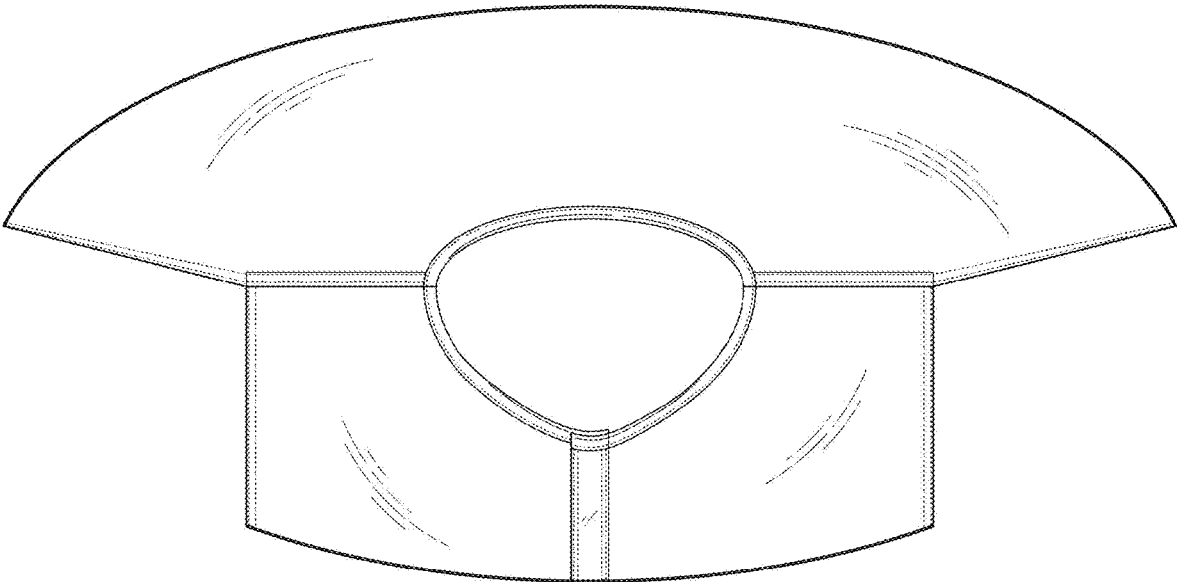


FIG. 6

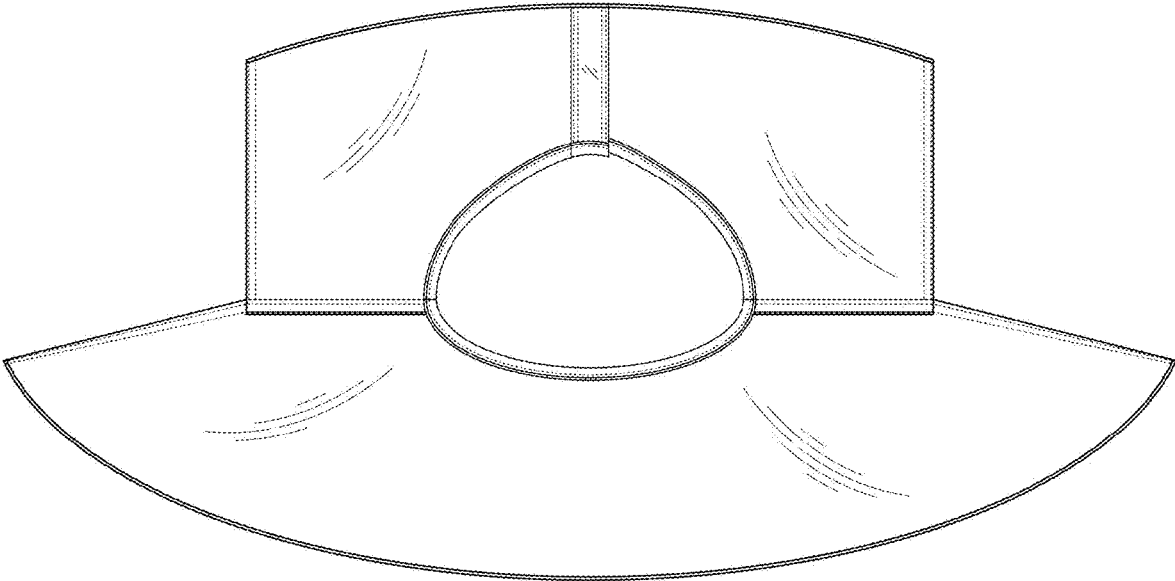


FIG. 7



FIG. 8