



US00D733112S

(12) **United States Design Patent**
Chaney et al.

(10) **Patent No.:** **US D733,112 S**

(45) **Date of Patent:** **** Jun. 30, 2015**

(54) **ELECTRONIC DEVICE ENCLOSURE**

(71) Applicant: **Hand Held Products, Inc.**, Fort Mill, SC (US)

(72) Inventors: **David E. Chaney**, Lincolnton, NC (US);
Timothy R. Fitch, Syracuse, NY (US);
Qiurong Ma, Shanghai (CN)

(73) Assignee: **Hand Held Products, Inc.**, Fort Mill, SC (US)

(**) Term: **14 Years**

(21) Appl. No.: **29/506,922**

(22) Filed: **Oct. 22, 2014**

Related U.S. Application Data

(63) Continuation of application No. 29/459,681, filed on Jul. 2, 2013, now Pat. No. Des. 716,285, which is a continuation of application No. 13/736,139, filed on Jan. 8, 2013.

(51) **LOC (10) Cl.** **14-03**

(52) **U.S. Cl.**
USPC **D14/250**

(58) **Field of Classification Search**

USPC D14/138 AD, 138 C, 138 G, 203.7, 230, D14/238.1, 240, 247, 248, 250, 253, 341, D14/345, 346, 439, 440, 447; D13/103, D13/107, 119; D3/201, 218, 228, 269, 273, D3/303; 206/320; 220/662; 361/679.27, 361/679.56, 737, 753; 224/666; 455/456.1, 455/572, 557, 575.1, 575.4, 575.8; D10/65
See application file for complete search history.

(56) **References Cited**

U.S. PATENT DOCUMENTS

D280,674 S * 9/1985 Nelson D3/226
D325,471 S * 4/1992 McCain et al. D3/226

D337,435 S * 7/1993 Kaneko et al. D3/218
5,554,822 A 9/1996 Gilpin et al.
5,574,625 A 11/1996 Ohgami et al.
5,586,002 A 12/1996 Notarianni
5,625,534 A 4/1997 Okaya et al.
6,000,607 A 12/1999 Ohki et al.
6,304,459 B1 10/2001 Toyosato et al.
6,637,661 B2 10/2003 Cohen et al.
6,679,425 B1 1/2004 Sheppard et al.
6,944,782 B2 9/2005 Von Mueller et al.
7,123,487 B2 10/2006 Saito et al.
D588,088 S * 3/2009 Mitchell D14/138 AB

(Continued)

OTHER PUBLICATIONS

EM 002270553-0001; Honeywell International, Inc.: Filed Jul. 8, 2013; Issued Aug. 23, 2013; 9 pages.

Primary Examiner — Sheryl Lane

Assistant Examiner — Chelsea Sealey

(74) *Attorney, Agent, or Firm* — Additon, Higgins & Pendleton, P.A.

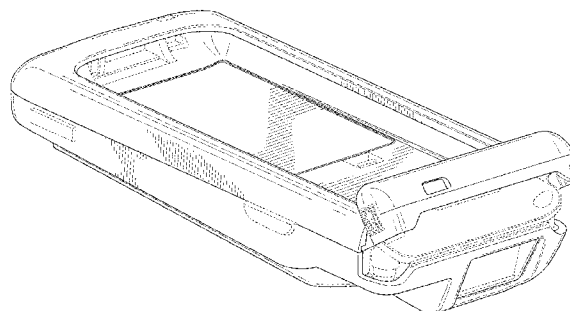
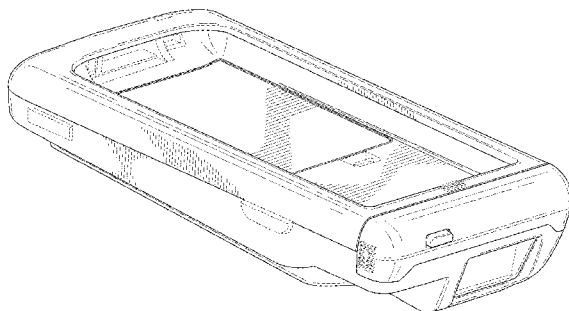
(57) **CLAIM**

The ornamental design for an electronic device enclosure, as shown and described.

DESCRIPTION

FIG. 1 is a perspective view of an electronic device enclosure showing our new design;
FIG. 2 is a front elevation view thereof;
FIG. 3 is a rear elevation view thereof;
FIG. 4 is a left side elevation view thereof;
FIG. 5 is a right side elevation view thereof;
FIG. 6 is a top plan view thereof;
FIG. 7 is a bottom plan view thereof;
FIG. 8 is another perspective view thereof; and,
FIG. 9 is another perspective view thereof, with the electronic device enclosure's door in an open position.
The broken lines indicate portions of the electronic device enclosure that form no part of the claimed design.

1 Claim, 9 Drawing Sheets



(56)

References Cited

U.S. PATENT DOCUMENTS

D588,146	S *	3/2009	Tsuboi	D14/474						
D593,319	S *	6/2009	Richardson et al.	D3/218						
D603,602	S *	11/2009	Richardson et al.	D3/218						
D608,781	S *	1/2010	Wada	D14/371						
7,688,580	B2	3/2010	Richardson et al.								
D638,012	S *	5/2011	Tian et al.	D14/341						
D659,138	S *	5/2012	Hsu et al.	D14/385						
D659,564	S *	5/2012	Baxter	D10/65						
D665,735	S *	8/2012	Kang et al.	D13/108						
D670,278	S *	11/2012	Hamann	D14/250						
D672,386	S *	12/2012	Matunuma et al.	D18/4.6						
						D678,936	S *	3/2013	Oliver	D18/14
						D696,234	S *	12/2013	Wright	D14/250
						8,632,004	B2	1/2014	Nishiie		
						8,662,905	B2	3/2014	Chang		
						8,827,725	B2	9/2014	Chang		
						D716,285	S *	10/2014	Chaney et al.	D14/250
						D719,166	S *	12/2014	Brown et al.	D14/420
						2001/0003071	A1	6/2001	Mansutti et al.		
						2007/0146985	A1	6/2007	Mick et al.		
						2008/0132289	A1	6/2008	Wood et al.		
						2009/0009945	A1	1/2009	Johnson et al.		
						2013/0264234	A1	10/2013	Cohen		
						2014/0191644	A1 *	7/2014	Chaney	312/327

* cited by examiner

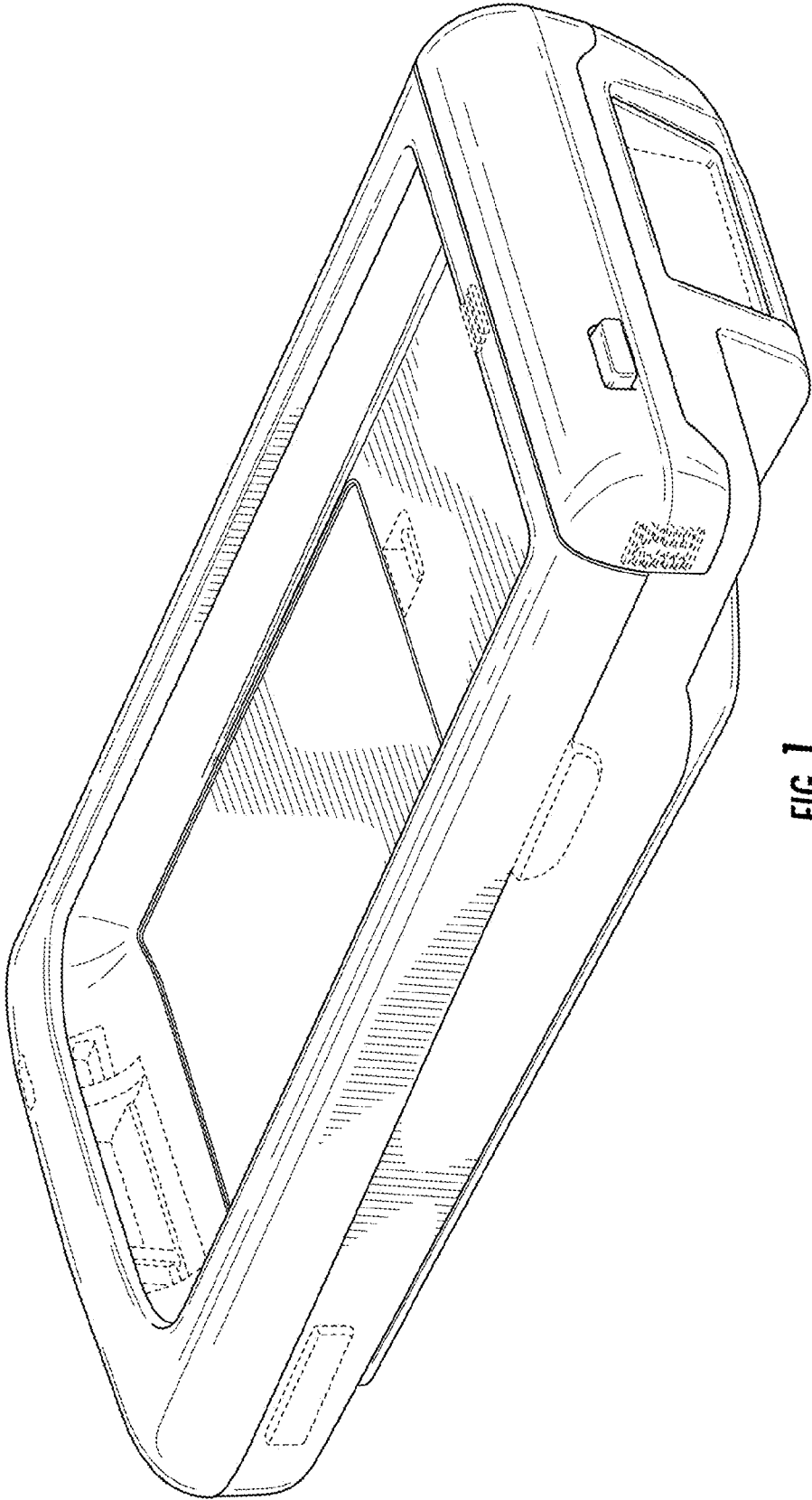


FIG. 1

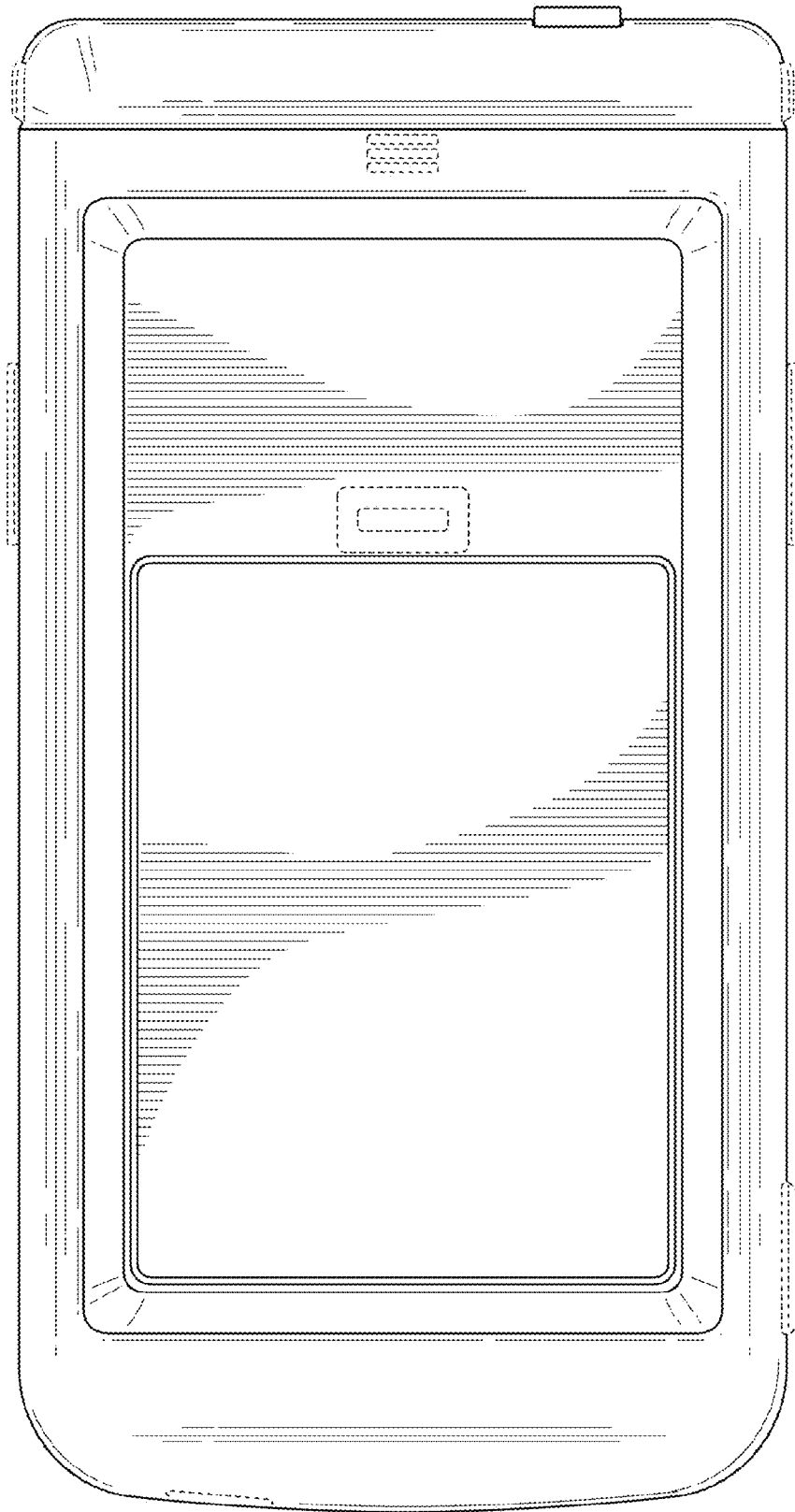


FIG. 2

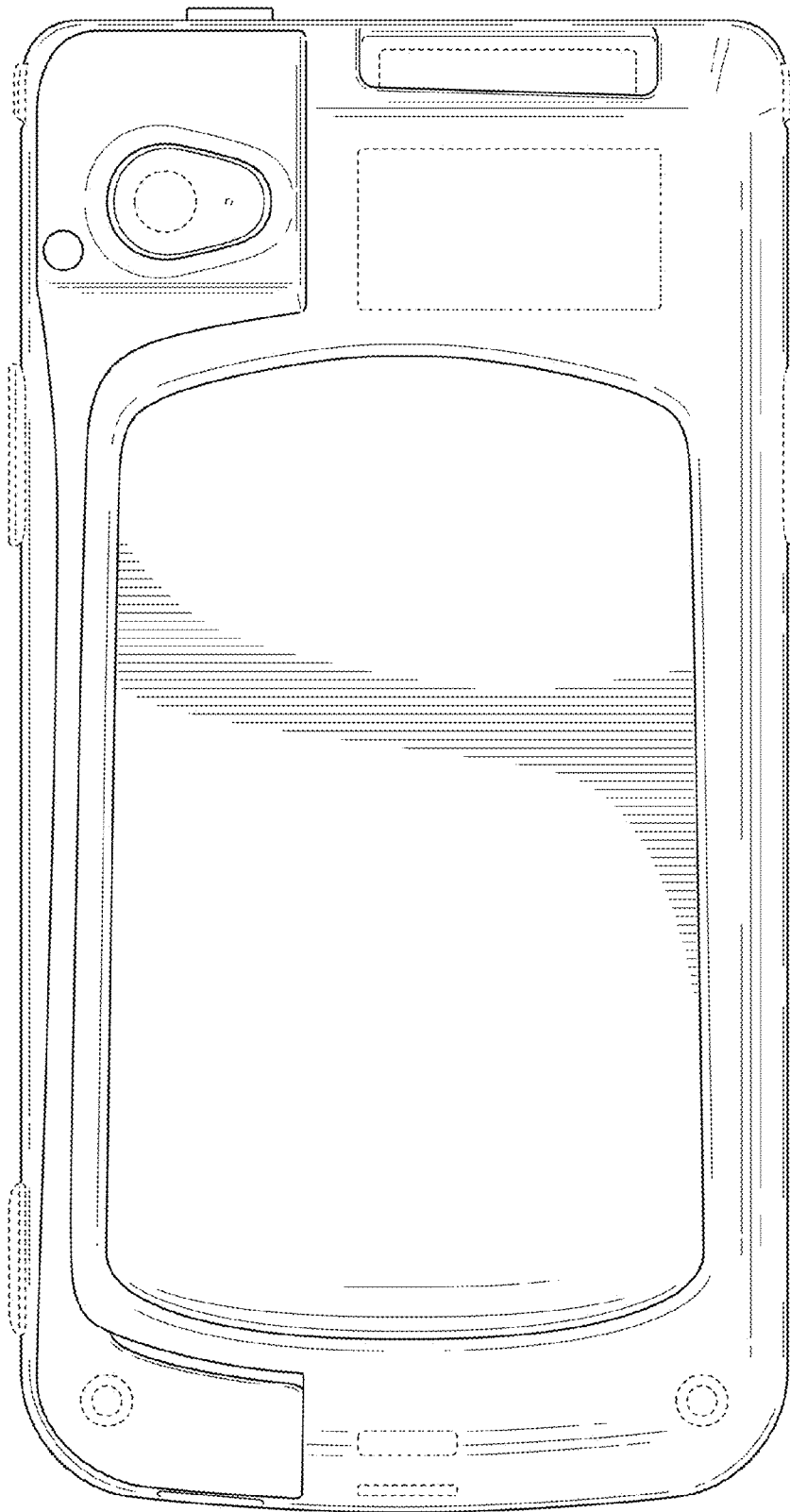


FIG. 3

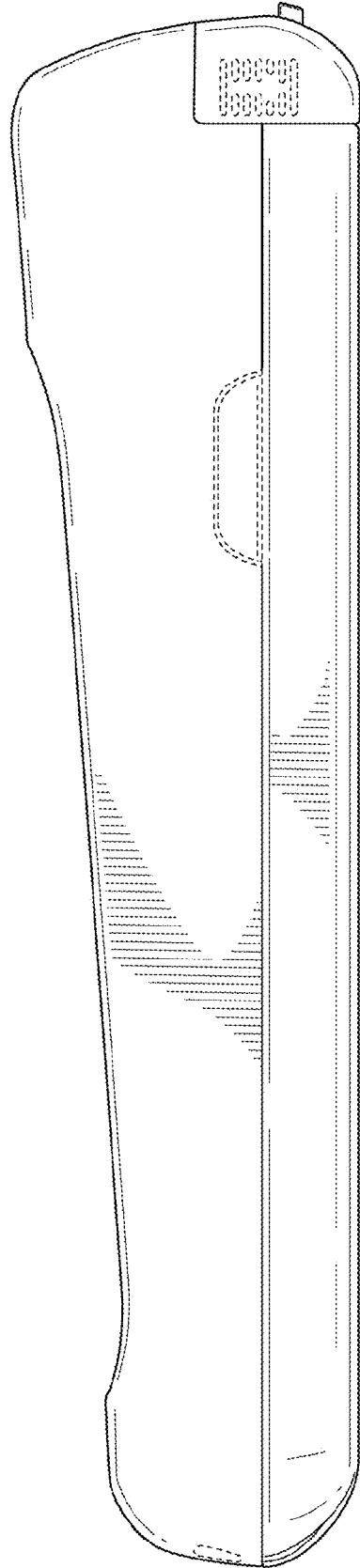


FIG. 4

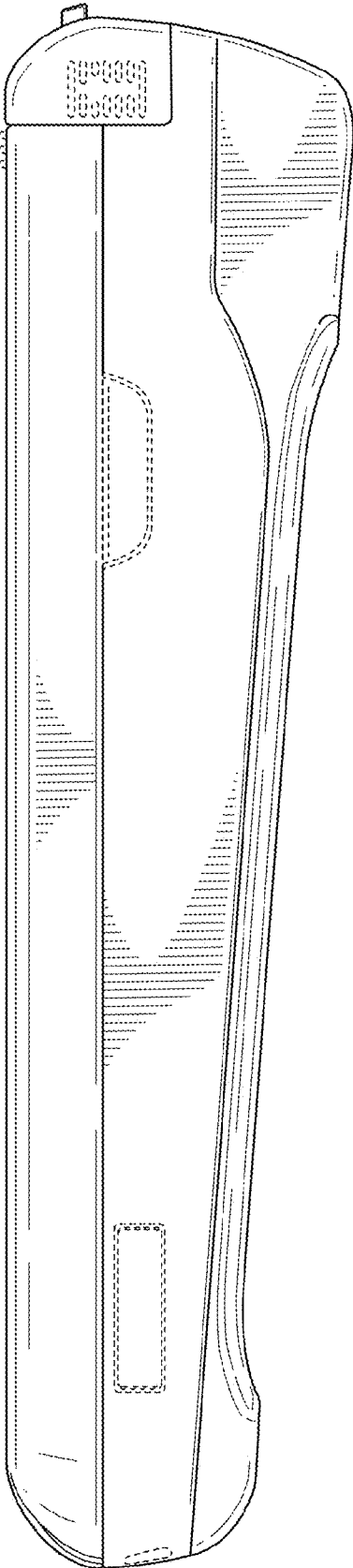


FIG. 5

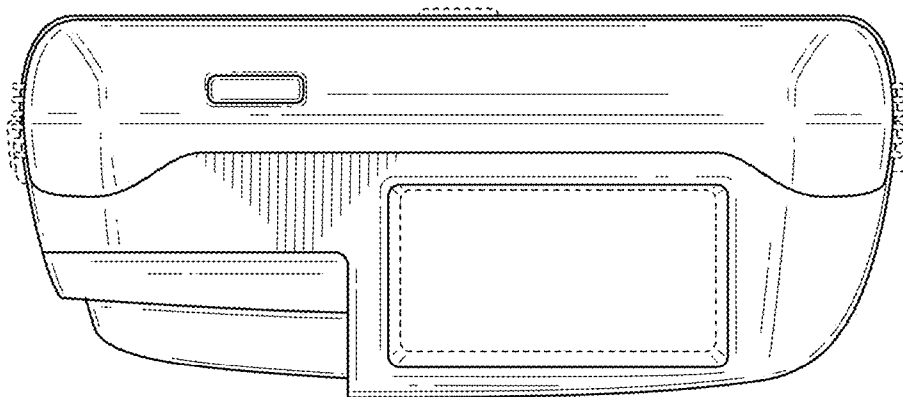


FIG. 6

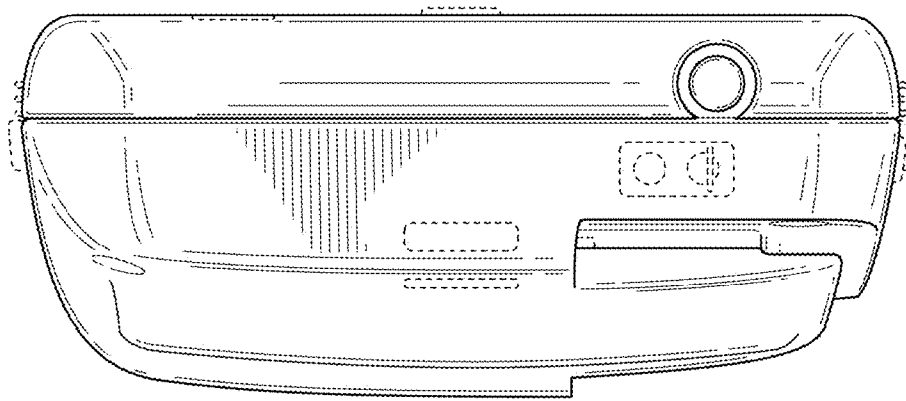


FIG. 7

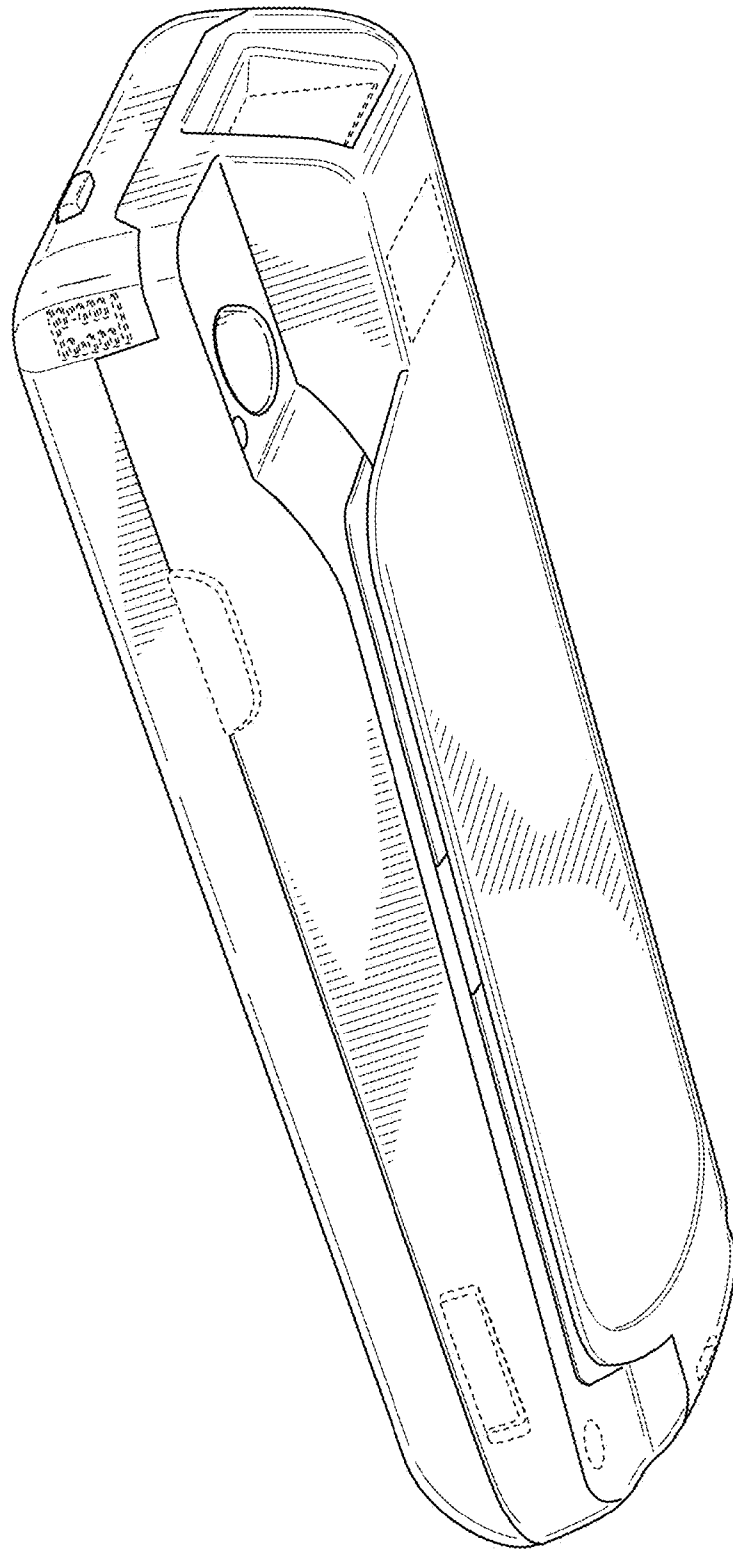


FIG. 8

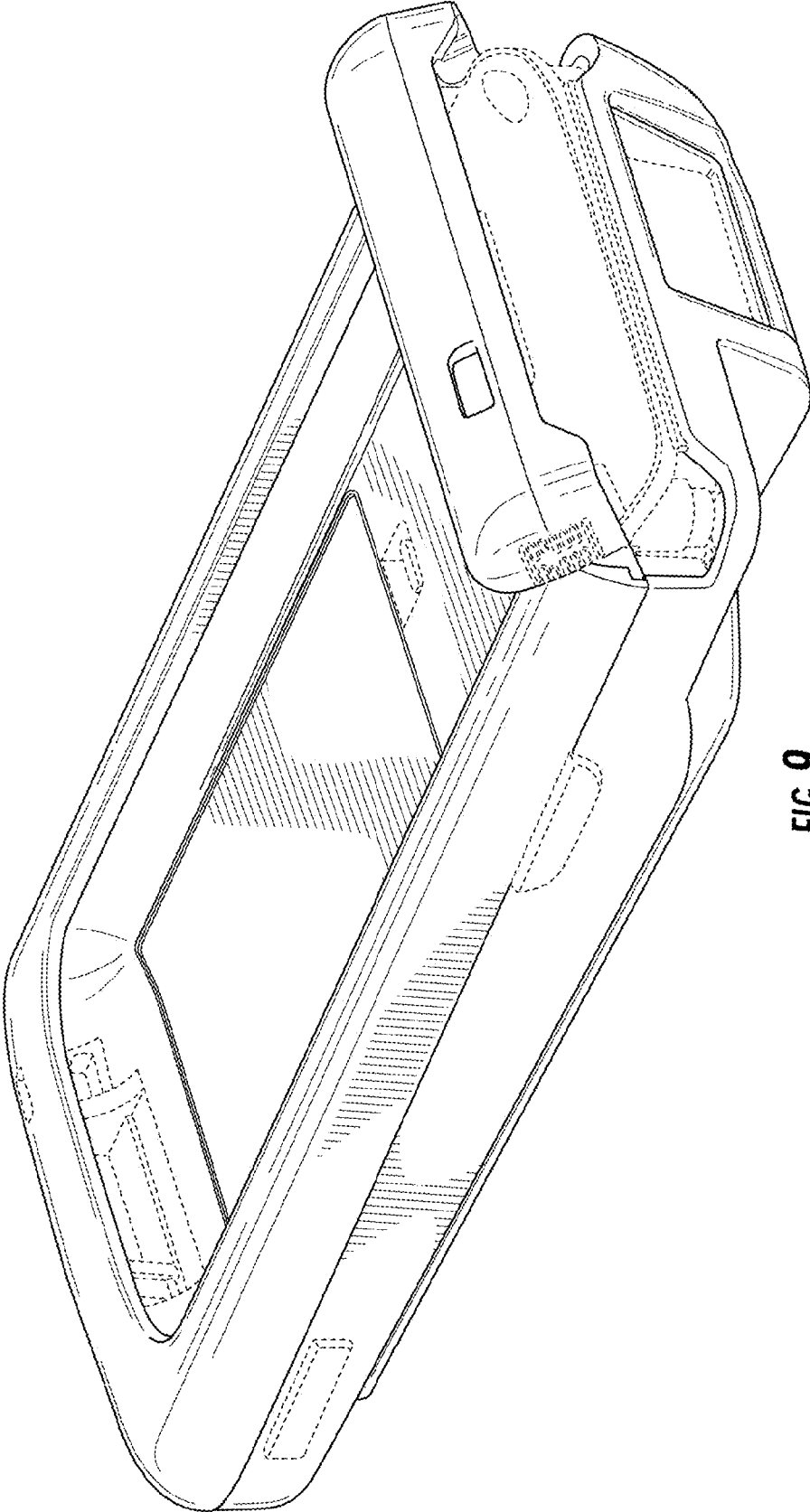


FIG. 9