



US00D871060S

(12) **United States Design Patent** (10) **Patent No.:** **US D871,060 S**
Lemaire (45) **Date of Patent:** **** Dec. 31, 2019**

(54) **HANDBAG**
(71) Applicant: **LOUIS VUITTON MALLETIER,**
Paris (FR)
(72) Inventor: **Alice Lemaire,** Paris (FR)
(73) Assignee: **LOUIS VUITTON MALLETIER,**
Paris (FR)
(**) Term: **15 Years**
(21) Appl. No.: **29/616,268**

D656,313 S *	3/2012	Dumas	D3/243
D659,393 S *	5/2012	Hermann	D3/245
D694,006 S *	11/2013	Della Valle	D3/245
D759,373 S *	6/2016	Spaziani	D3/232
D772,566 S *	11/2016	Slimane	D3/245
D779,197 S *	2/2017	Gale	D3/243
D783,277 S *	4/2017	Spaziani	D3/245
D787,181 S *	5/2017	Gale	D3/245
D790,214 S *	6/2017	Gale	D3/243
D799,209 S *	10/2017	Spaziani	D3/245
D807,032 S *	1/2018	Agazzi	D3/243
D818,265 S *	5/2018	Hawkes	D3/232
D818,266 S *	5/2018	Hawkes	D3/232
D835,905 S *	12/2018	Sassi	D3/243

* cited by examiner

(22) Filed: **Sep. 5, 2017**

Primary Examiner — Cathron C Brooks
(74) *Attorney, Agent, or Firm* — Fross Zelnick Lehrman & Zissu, P.C.; Charles T. J. Weigell, Esq.

(30) **Foreign Application Priority Data**

Mar. 7, 2017 (FR) 2017-1192

(51) **LOC (12) Cl.** **03-01**

(52) **U.S. Cl.**
USPC **D3/243**

(58) **Field of Classification Search**
USPC D3/232–253, 273–277, 292, 303, 304,
D3/285, 287, 318
CPC .. A45C 1/024; A45C 3/04; A45C 3/06; A45C
3/08; A45C 3/10; A45C 7/0059; A45C
7/0077; A45C 13/08; A45C 13/26; A45C
2001/083
See application file for complete search history.

(57) **CLAIM**

The ornamental design for a handbag, as shown and described.

DESCRIPTION

FIG. 1 is a front perspective view of a handbag showing my new design;
FIG. 2 is a front view thereof;
FIG. 3 is a back view thereof;
FIG. 4 is a left side view thereof;
FIG. 5 is a right side view thereof;
FIG. 6 is a top view thereof; and,
FIG. 7 is a bottom view thereof.
The dashed lines in the drawings illustrate stitching and form part of the claimed design.

(56) **References Cited**

U.S. PATENT DOCUMENTS

D594,654 S *	6/2009	Guyon	D3/245
D618,909 S *	7/2010	Gaultier	D3/243

1 Claim, 7 Drawing Sheets





FIG. 1

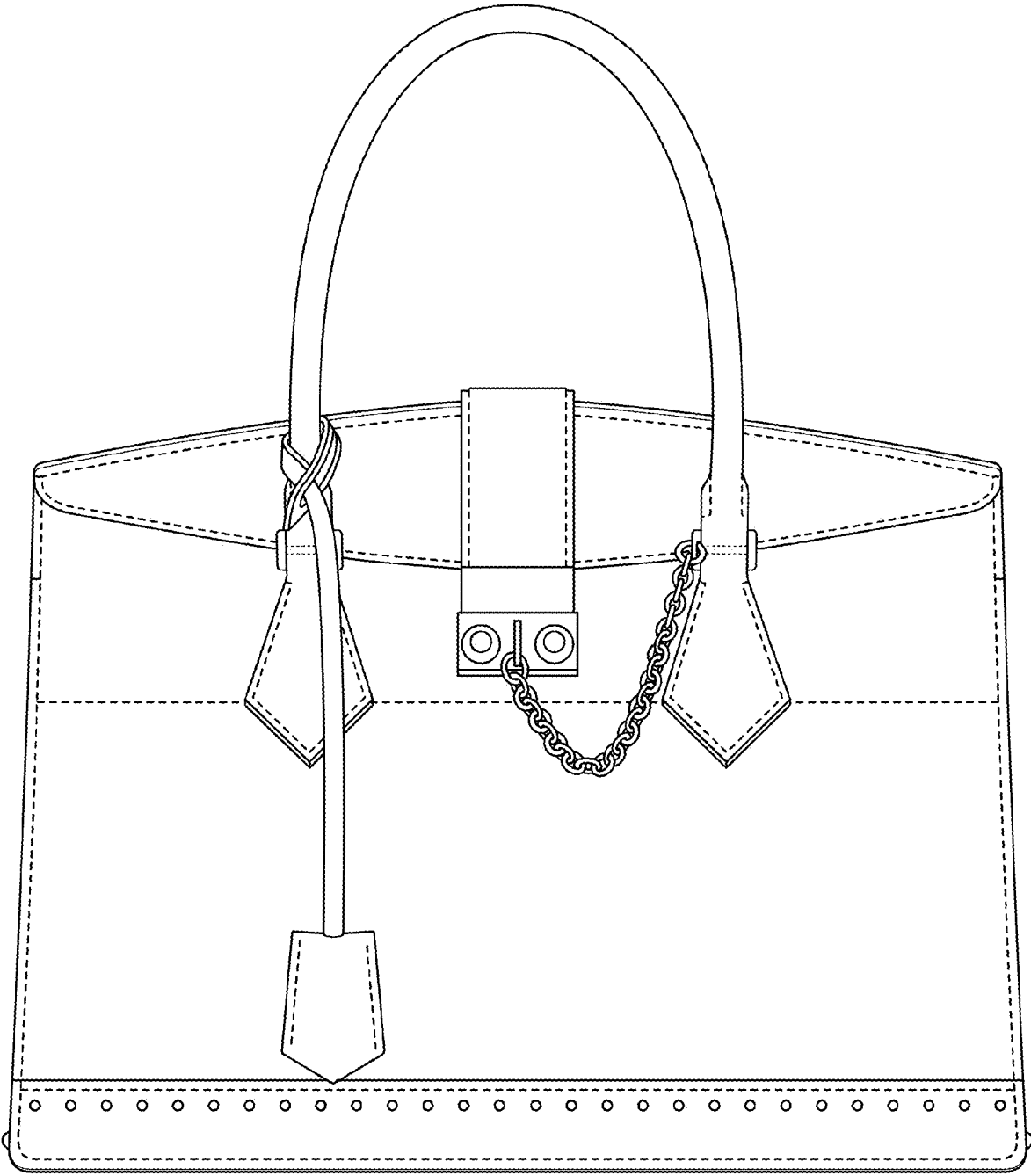


FIG. 2

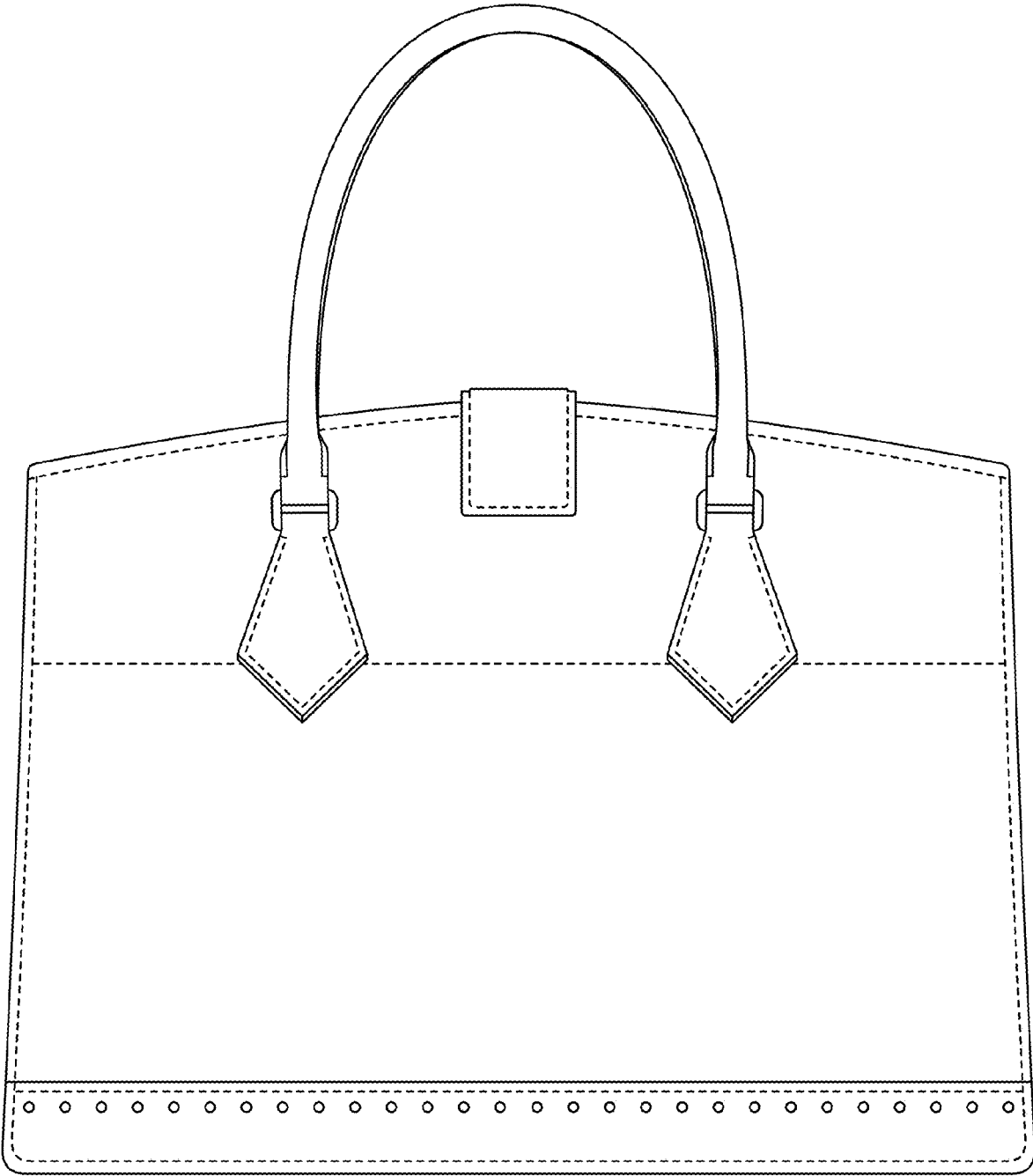


FIG. 3

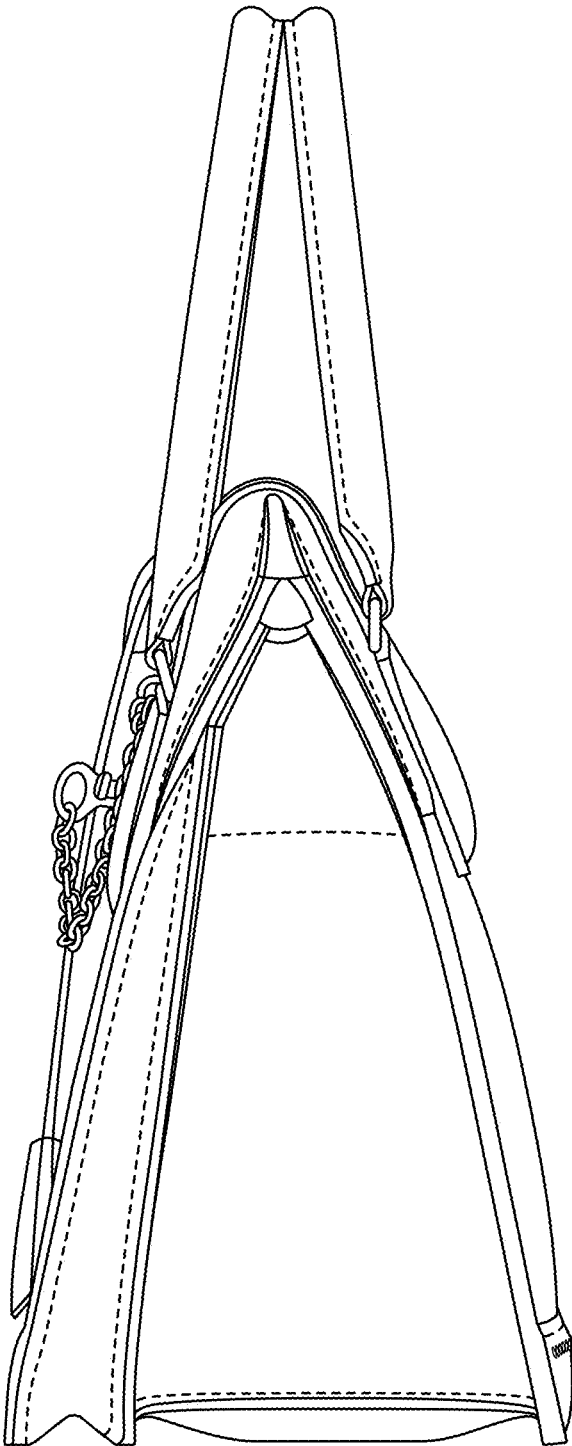


FIG. 4

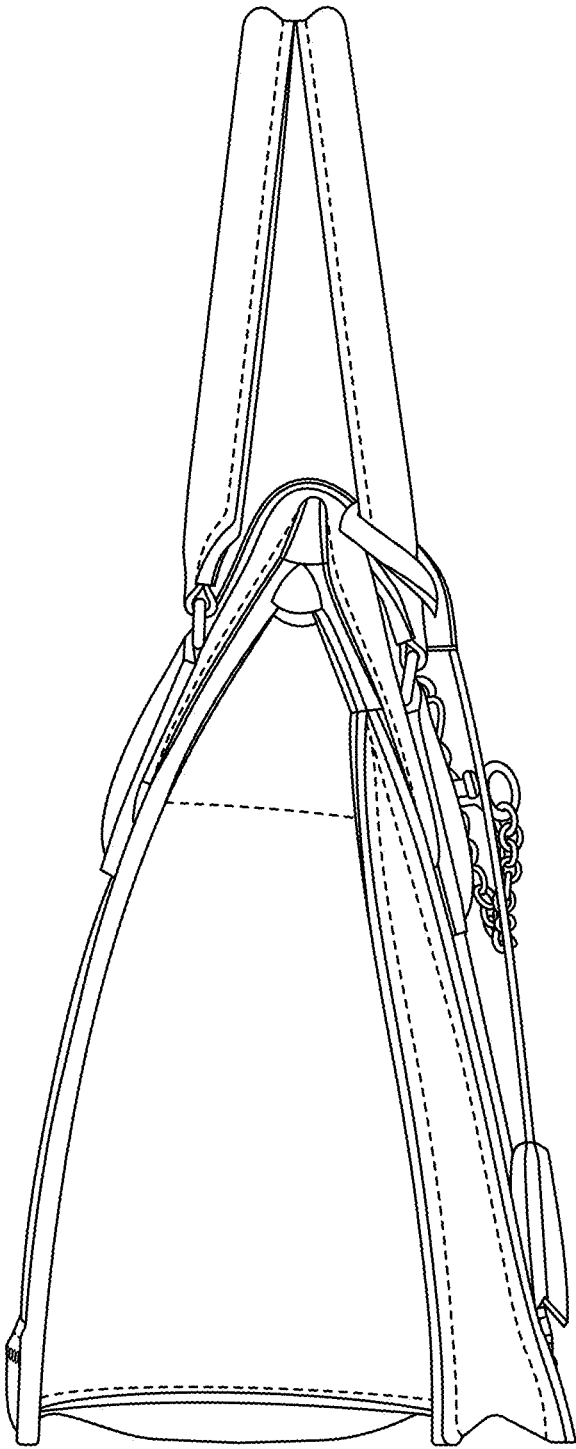


FIG. 5

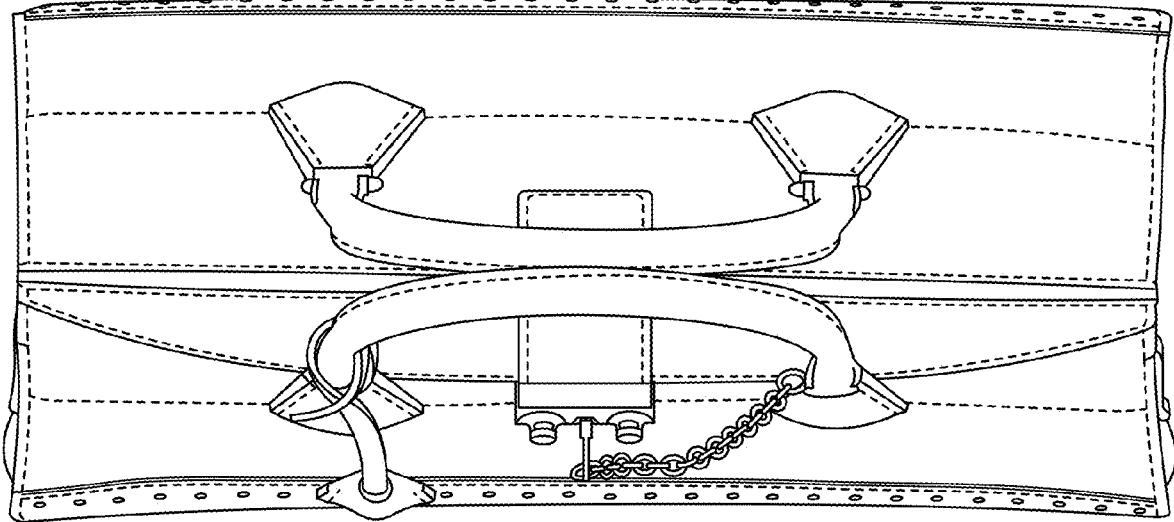


FIG. 6

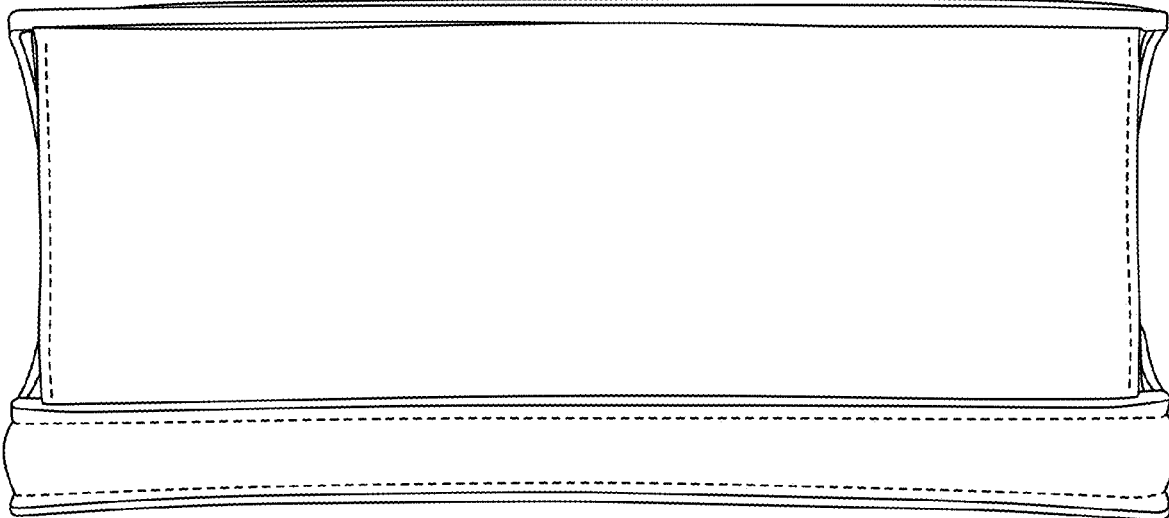


FIG. 7