



US00D510941S

(12) **United States Design Patent**  
**McLean et al.**

(10) **Patent No.:** **US D510,941 S**

(45) **Date of Patent:** **\*\* Oct. 25, 2005**

(54) **SELF-PROPELLED WINDROWER**

(75) Inventors: **Kenneth W. McLean**, New Holland,  
PA (US); **Robert L. Rice**, New  
Holland, PA (US); **Constantine J.**  
**Kermes**, Lancaster, PA (US)

(73) Assignee: **CNH America LLC**, New Holland, PA  
(US)

(\*\*) Term: **14 Years**

(21) Appl. No.: **29/206,993**

(22) Filed: **Jun. 7, 2004**

(51) **LOC (8) Cl.** ..... **15-03**

(52) **U.S. Cl.** ..... **D15/10; D15/26**

(58) **Field of Search** ..... **D15/10, 13, 15,**  
**D15/22-26, 30, 33; 56/11.2, 192, 209;**  
**180/900, 89.1, 234, 308; 239/146, 172,**  
**722, DIG. 6, DIG. 8**

(56) **References Cited**

**U.S. PATENT DOCUMENTS**

3,147,607 A \* 9/1964 Calvano et al. .... 70/64

D208,486 S \* 9/1967 Conner et al. .... D15/26  
D211,265 S \* 6/1968 Skyer et al. .... D15/26  
4,159,749 A \* 7/1979 Boushek, Jr. .... 180/308  
D312,827 S \* 12/1990 Boddin et al. .... D15/30  
D344,737 S \* 3/1994 Long et al. .... D15/22  
5,778,644 A \* 7/1998 Keller et al. .... 56/11.2

\* cited by examiner

*Primary Examiner*—Stella Reid

*Assistant Examiner*—Mark A. Goodwin

(74) *Attorney, Agent, or Firm*—John William Stader

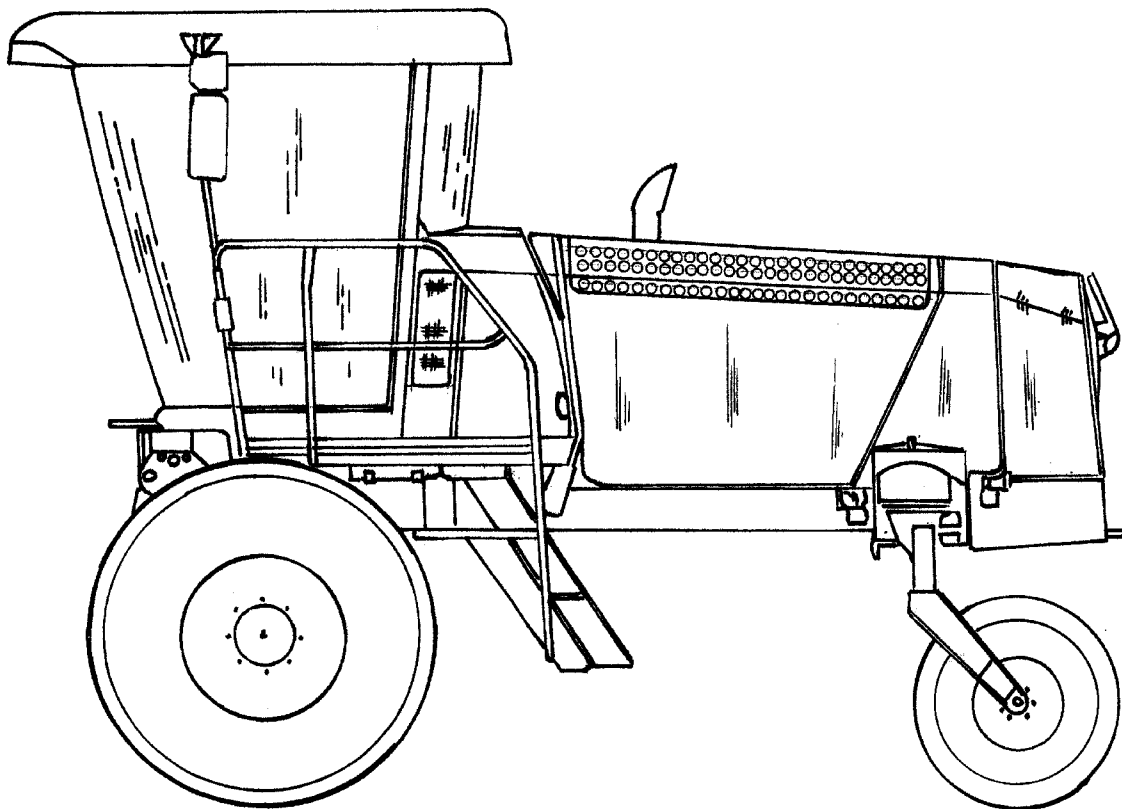
(57) **CLAIM**

We claim the ornamental design for the self-propelled wind-  
rower, as shown.

**DESCRIPTION**

FIG. 1 is a left side view of the self-propelled windrower  
showing my new design;  
FIG. 2 is a top plan view thereof;  
FIG. 3 is a front view thereof; and,  
FIG. 4 is a rear view thereof.

**1 Claim, 4 Drawing Sheets**



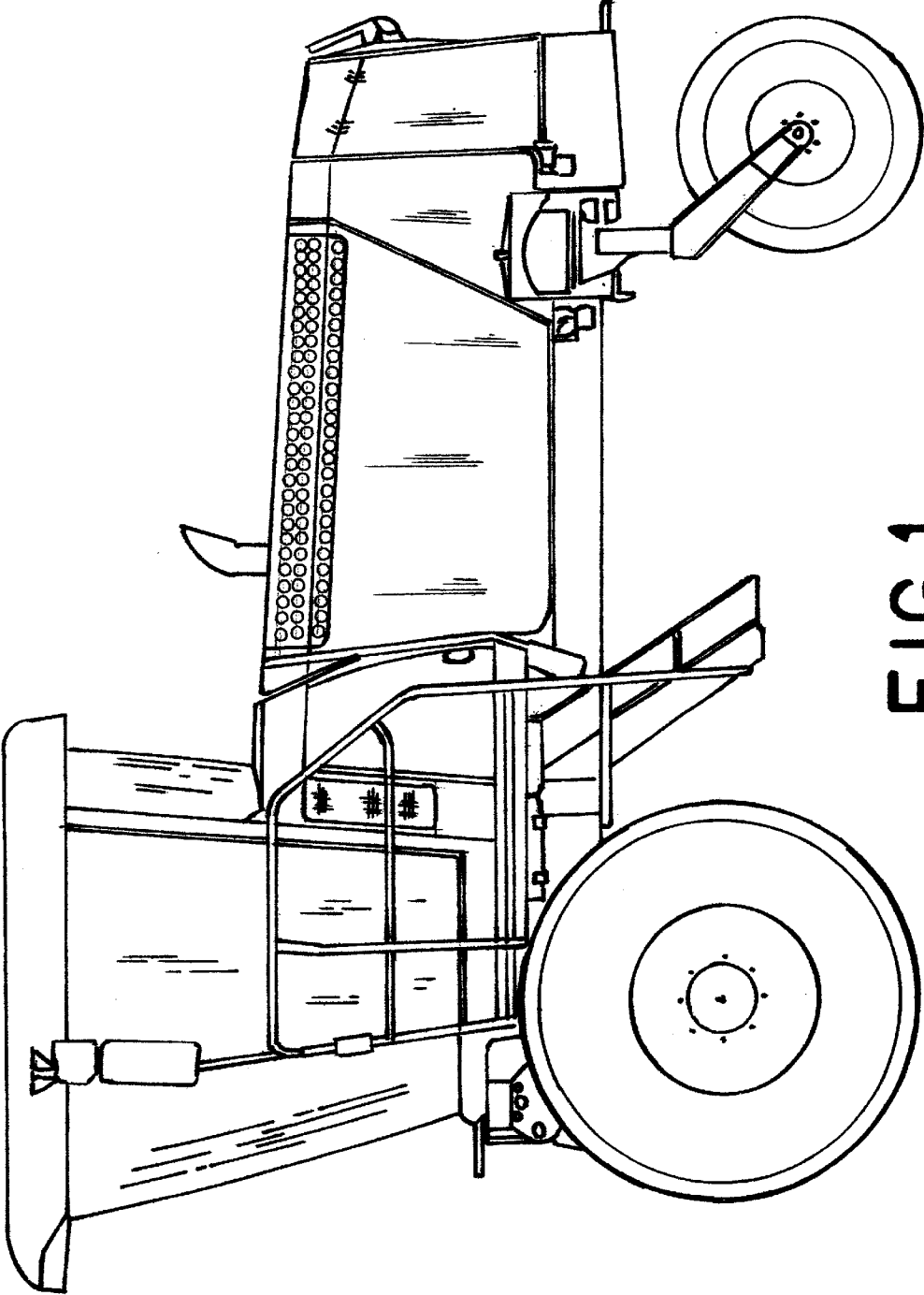


FIG. 1

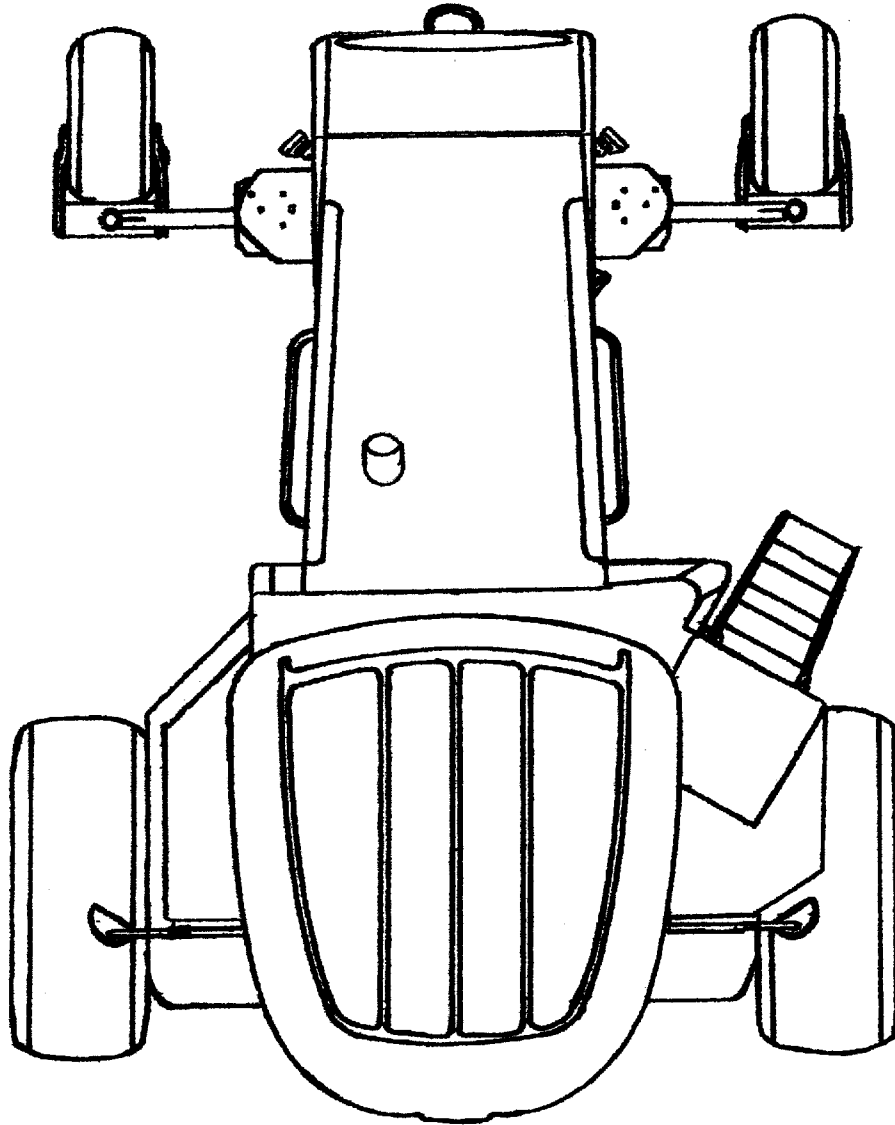


FIG.2

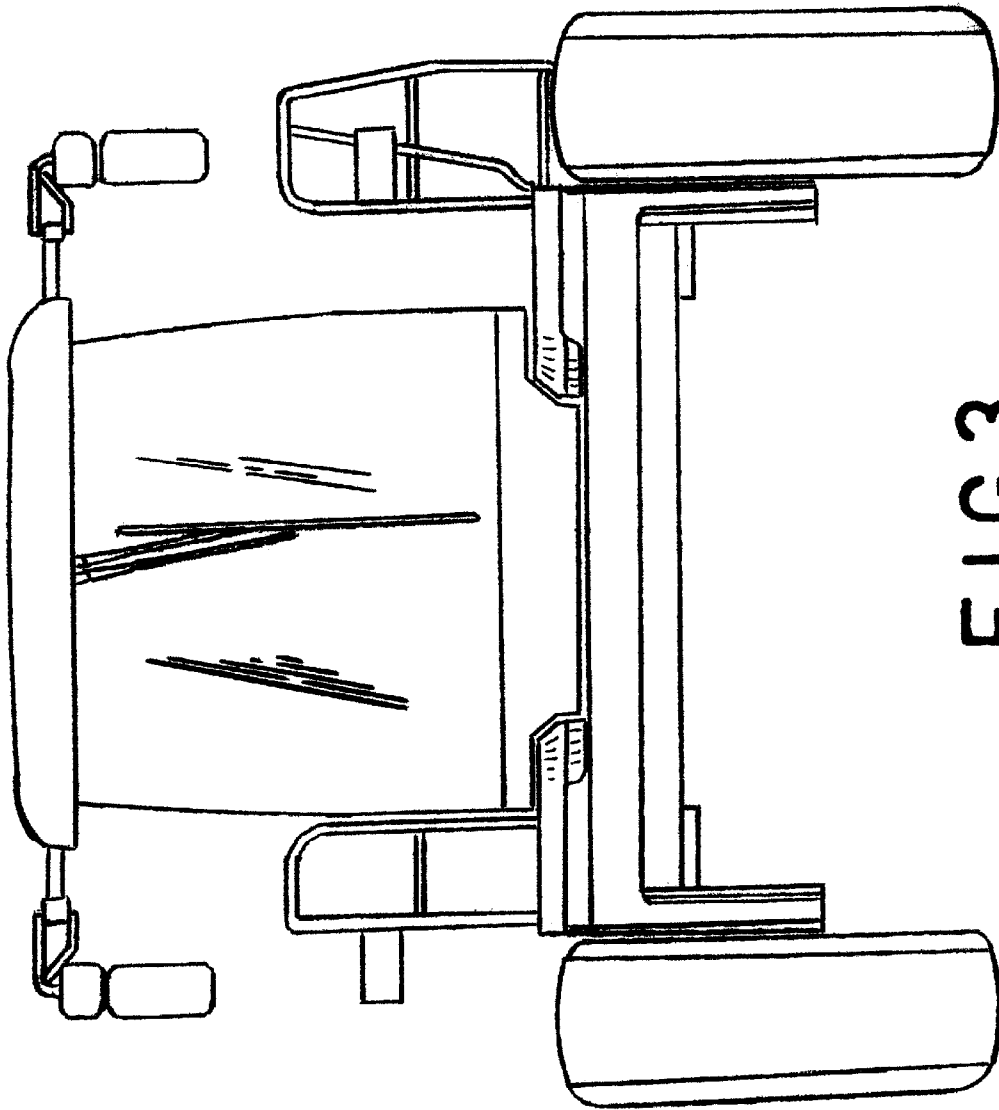


FIG. 3

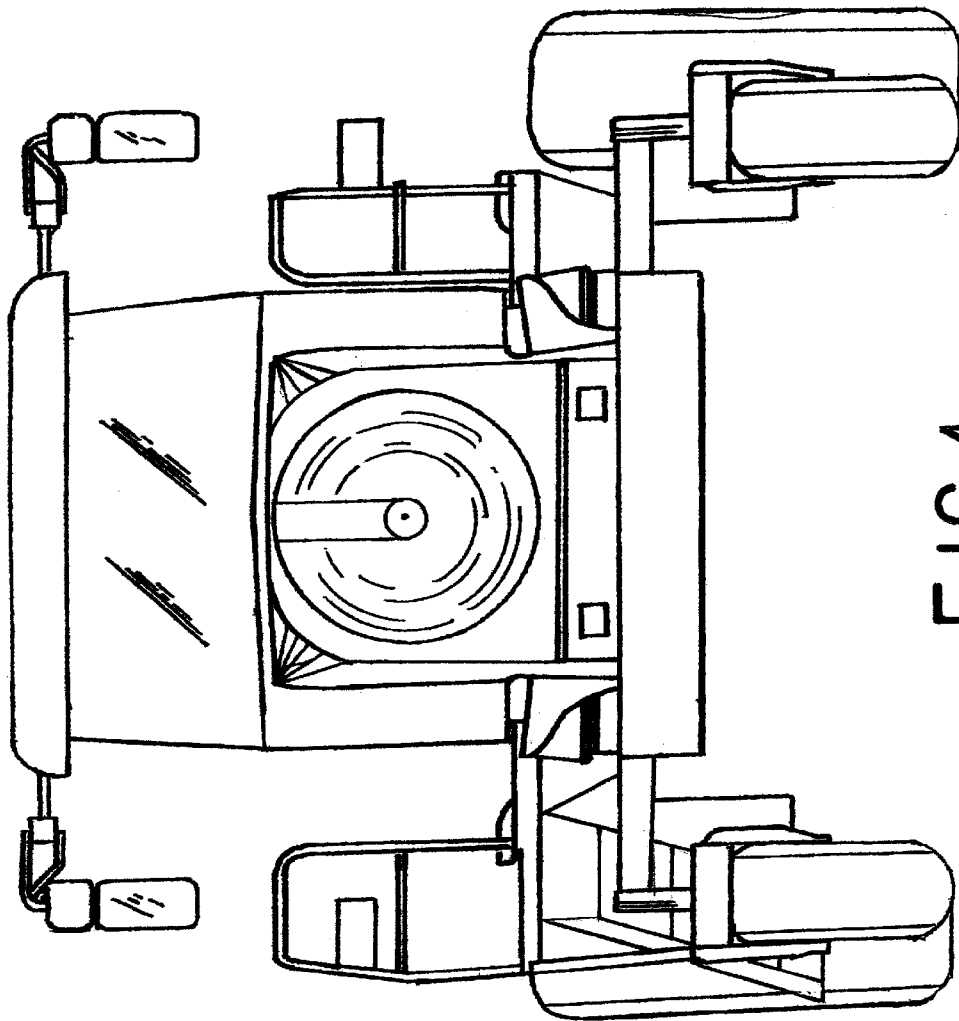


FIG. 4