



US00D341108S

United States Patent [19]

[11] Patent Number: **Des. 341,108**

Chen

[45] Date of Patent: **** Nov. 9, 1993**

[54] **PEDAL FOR A BICYCLE OR TRICYCLE**

4,890,507 1/1990 Farris et al. 74/594.4

[75] Inventor: **Ting-Hsing Chen, Tainan, Taiwan**

Primary Examiner—Wallace R. Burke

[73] Assignee: **Far Great Plastics Ind., Co. Ltd.,
Tainan, Taiwan**

Assistant Examiner—Melody Brown

Attorney, Agent, or Firm—Morton J. Rosenberg; David
I. Klein

[**] Term: **14 Years**

[57] CLAIM

[21] Appl. No.: **905,846**

The ornamental design for a pedal for a bicycle or tricycle, as shown and described.

[22] Filed: **Jun. 26, 1992**

[52] U.S. Cl. **D12/125**

[58] Field of Search D12/125; 74/594.4

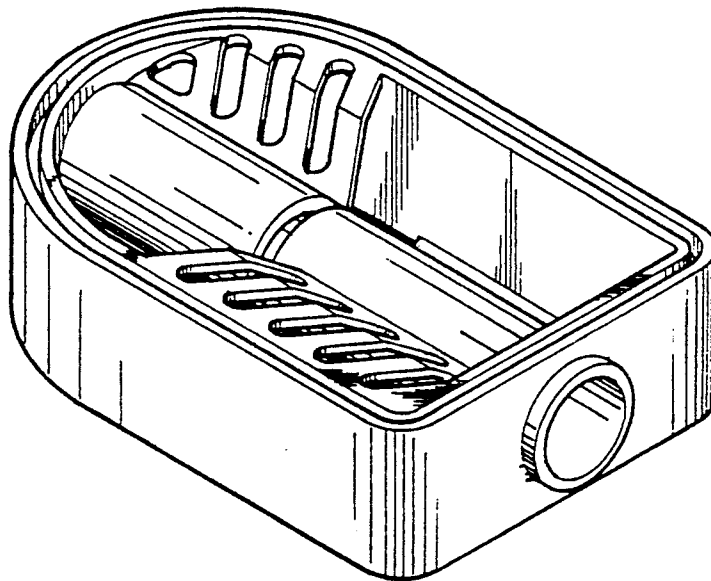
DESCRIPTION

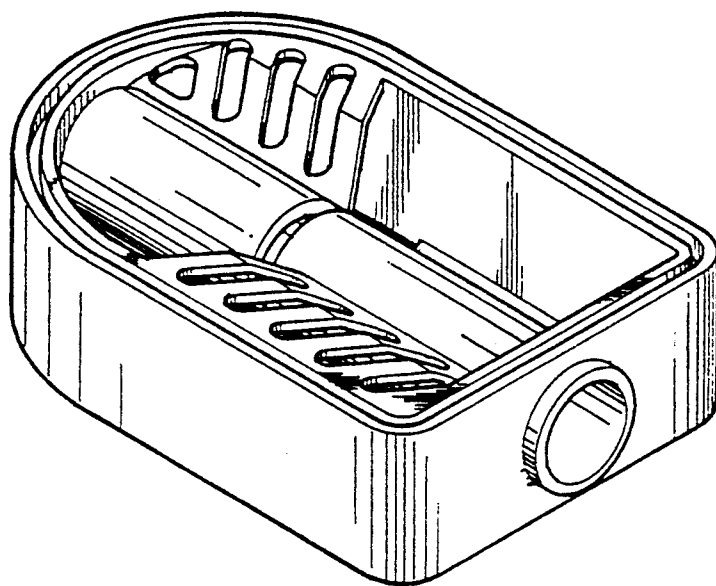
[56] References Cited

U.S. PATENT DOCUMENTS

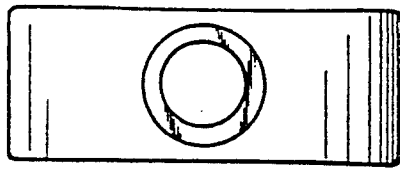
D. 316,697	5/1991	Beiser	D12/125
D. 320,369	10/1991	Feamster, III et al.	D12/125
D. 333,113	2/1993	Nestrud	D12/125
4,873,890	10/1989	Nayano	74/594.4

FIG. 1 is a perspective view of a pedal for a bicycle or tricycle showing my new design;
 FIG. 2 is a rear view thereof;
 FIG. 3 is a front view thereof;
 FIG. 4 is a right side view thereof;
 FIG. 5 is a left side view thereof;
 FIG. 6 is a bottom plan view thereof; and,
 FIG. 7 is a top plan view thereof.

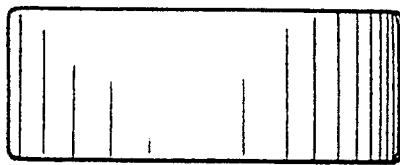




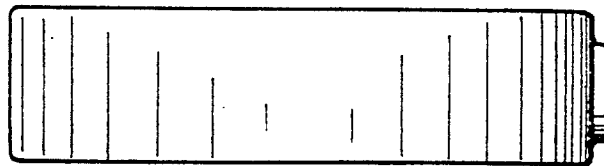
F I G. 1



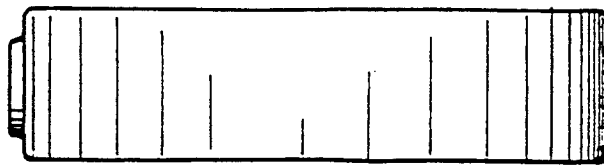
F I G. 2



F I G. 3



F I G. 4



F I G. 5

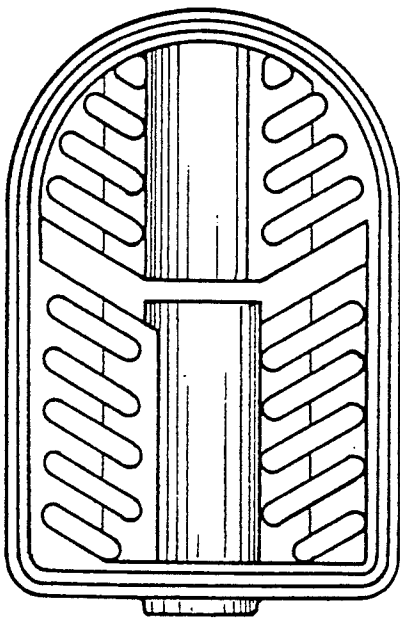


FIG. 6

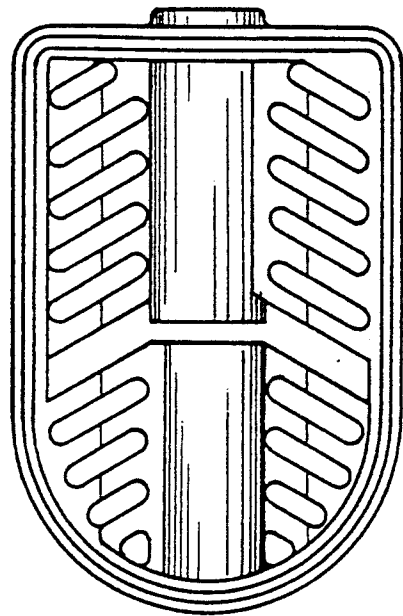


FIG. 7