



US00D711192S

(12) **United States Design Patent**  
**Picozza et al.**

(10) **Patent No.:** **US D711,192 S**

(45) **Date of Patent:** **\*\* Aug. 19, 2014**

(54) **BEVERAGE MIXING DEVICE**

(71) Applicant: **Sunbeam Products, Inc.**, Boca Raton, FL (US)

(72) Inventors: **Augusto Picozza**, Boca Raton, FL (US);  
**Omar Bermudez**, Boca Raton, FL (US)

(73) Assignee: **Sunbeam Products, Inc.**, Boca Raton, FL (US)

(\*\*) Term: **14 Years**

(21) Appl. No.: **29/448,360**

(22) Filed: **Mar. 12, 2013**

(51) **LOC (10) Cl.** ..... **31-00**

(52) **U.S. Cl.**  
USPC ..... **D7/413; D7/376; D7/378; D7/412; D7/300.1**

(58) **Field of Classification Search**  
USPC ..... **D7/400, 397, 387, 413, 376, 378, 412, D7/300.1; D9/416; 99/295, 323, 287; 426/112; 220/568; 366/130, 205**  
See application file for complete search history.

(56) **References Cited**

**U.S. PATENT DOCUMENTS**

D178,593 S \* 8/1956 Cervený et al. .... D7/413  
3,677,524 A \* 7/1972 Douglas ..... 366/130

D232,997 S \* 10/1974 Koblick ..... D7/368  
D242,302 S \* 11/1976 Madl ..... D7/413  
4,003,555 A \* 1/1977 Swartz ..... 366/130  
5,108,768 A \* 4/1992 So ..... 426/77  
7,441,944 B2 \* 10/2008 Sands ..... 366/205  
D603,218 S \* 11/2009 Hollinger ..... D7/412  
7,717,610 B2 \* 5/2010 Schleich ..... 366/130  
D640,093 S \* 6/2011 Picozza et al. .... D7/413  
7,958,819 B2 \* 6/2011 Sands ..... 99/513  
D699,996 S \* 2/2014 De Leo ..... D7/300.1  
8,753,004 B2 \* 6/2014 Miller et al. .... 366/205  
2004/0159624 A1 \* 8/2004 Miller et al. .... 215/222

\* cited by examiner

*Primary Examiner* — Marianne Pandozzi

(74) *Attorney, Agent, or Firm* — Michael J. Corrigan

(57) **CLAIM**

The ornamental design for the beverage mixing device, as shown and described.

**DESCRIPTION**

FIG. 1 is a perspective view of the beverage mixing device; FIG. 2 is a front view thereof; FIG. 3 is a top view thereof; FIG. 4 is a bottom view thereof; and, FIG. 5 is a bottom perspective view thereof. The portion shown in dashed lines is shown for illustrative purposes only and forms no part of the claimed design.

**1 Claim, 2 Drawing Sheets**

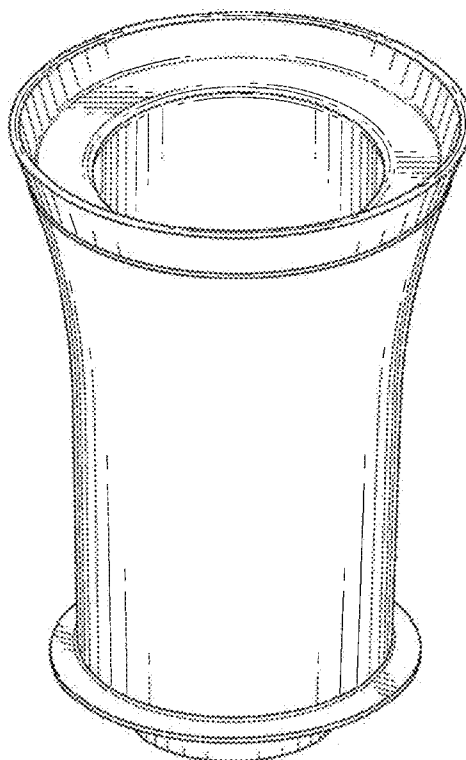


FIG. 1

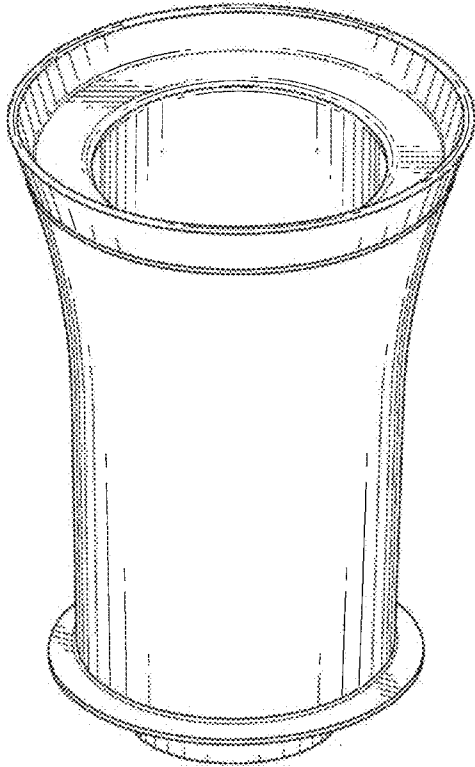


FIG. 2

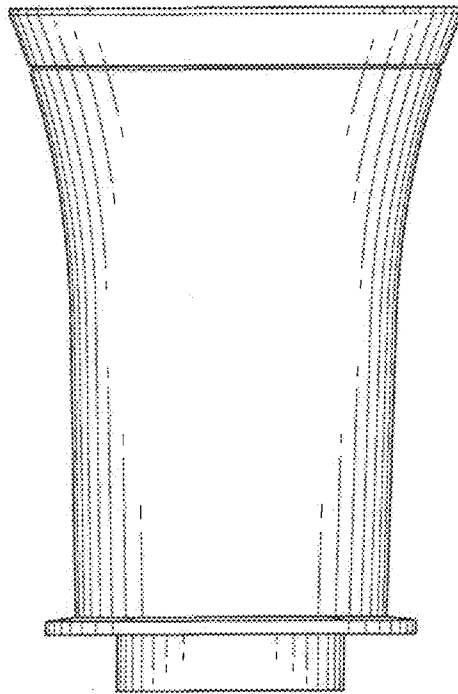


FIG. 3

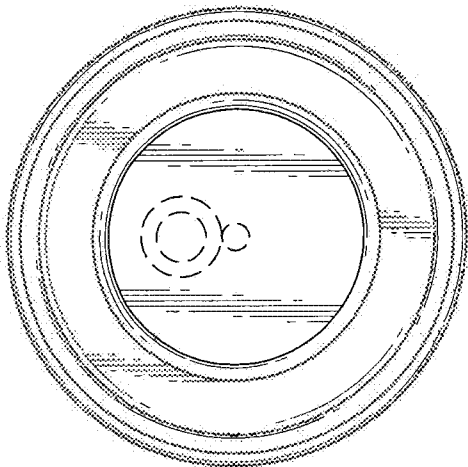


FIG. 4

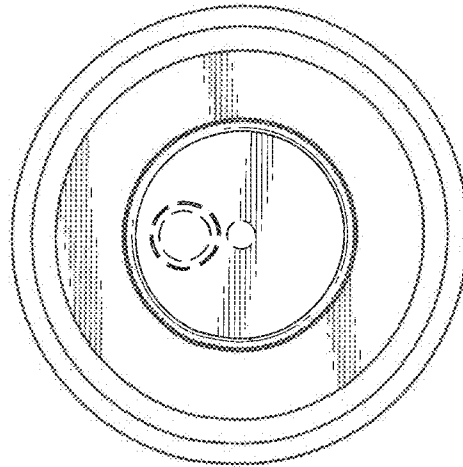


FIG. 5

