



US00D899684S

(12) **United States Design Patent**
Chen et al.

(10) **Patent No.:** **US D899,684 S**

(45) **Date of Patent:** **** Oct. 20, 2020**

- (54) **HAIR DRYER**
- (71) Applicant: **SHENZHEN RUIPU XINKE ELECTRONICS CO., LTD.**, Shenzhen (CN)
- (72) Inventors: **Bo Chen**, Ziyang (CN); **Rui Rong Ding**, Changzhou (CN)
- (73) Assignee: **SHENZHEN RUIPU XINKE ELECTRONICS CO., LTD.**, Shenzhen (CN)

D350,413 S *	9/1994	Feil	D28/13
D425,662 S *	5/2000	Cheung	D28/13
D716,492 S *	10/2014	Dyson	A45D 20/12
				D28/13
D791,407 S *	7/2017	Smith	D28/13
D850,717 S *	6/2019	Huang	D28/13
D859,738 S *	9/2019	Huang	D28/13
D861,246 S *	9/2019	Hsu	D28/13
D884,965 S *	5/2020	Liu	D28/13

* cited by examiner

Primary Examiner — Zenia I Bennett

(**) Term: **15 Years**

(21) Appl. No.: **29/707,579**

(22) Filed: **Sep. 30, 2019**

(30) **Foreign Application Priority Data**

Jul. 19, 2019 (CN) 2019 3 0385272

(51) **LOC (12) Cl.** **28-03**

(52) **U.S. Cl.**
USPC **D28/13**

(58) **Field of Classification Search**
USPC D28/12-19
CPC A45D 20/04; A45D 20/06; A45D 20/08;
A45D 20/10; A45D 20/128
See application file for complete search history.

(56) **References Cited**

U.S. PATENT DOCUMENTS

D262,062 S *	11/1981	Nagelkerke	D28/13
D265,767 S *	8/1982	Stewart	D28/13

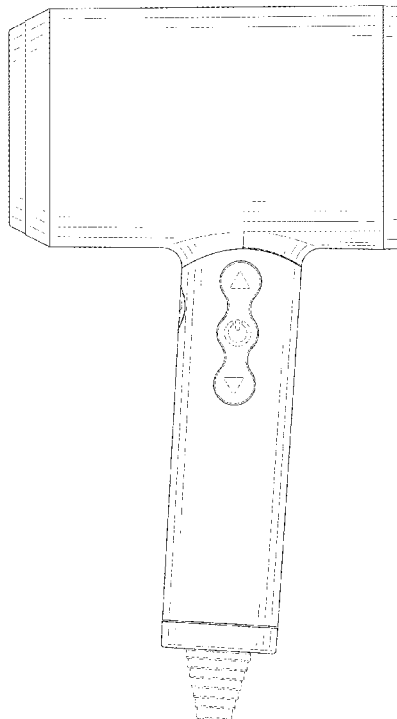
(57) **CLAIM**

The ornamental design for a hair dryer, as shown and described.

DESCRIPTION

FIG. 1 is a perspective view of a hair dryer showing my new design;
FIG. 2 is another perspective view thereof;
FIG. 3 is a front elevational view thereof;
FIG. 4 is a rear elevational view thereof;
FIG. 5 is a left side elevational view thereof;
FIG. 6 is a right side elevational view thereof;
FIG. 7 is a top plan view thereof;
FIG. 8 is a bottom plan view thereof;
FIG. 9 is an enlarged view of portion 9 shown in FIG. 1; and,
FIG. 10 is an enlarged view of portion 10 shown in FIG. 2.
The broken lines in the drawings depict portions of the hair dryer that form no part of the claimed design.

1 Claim, 10 Drawing Sheets



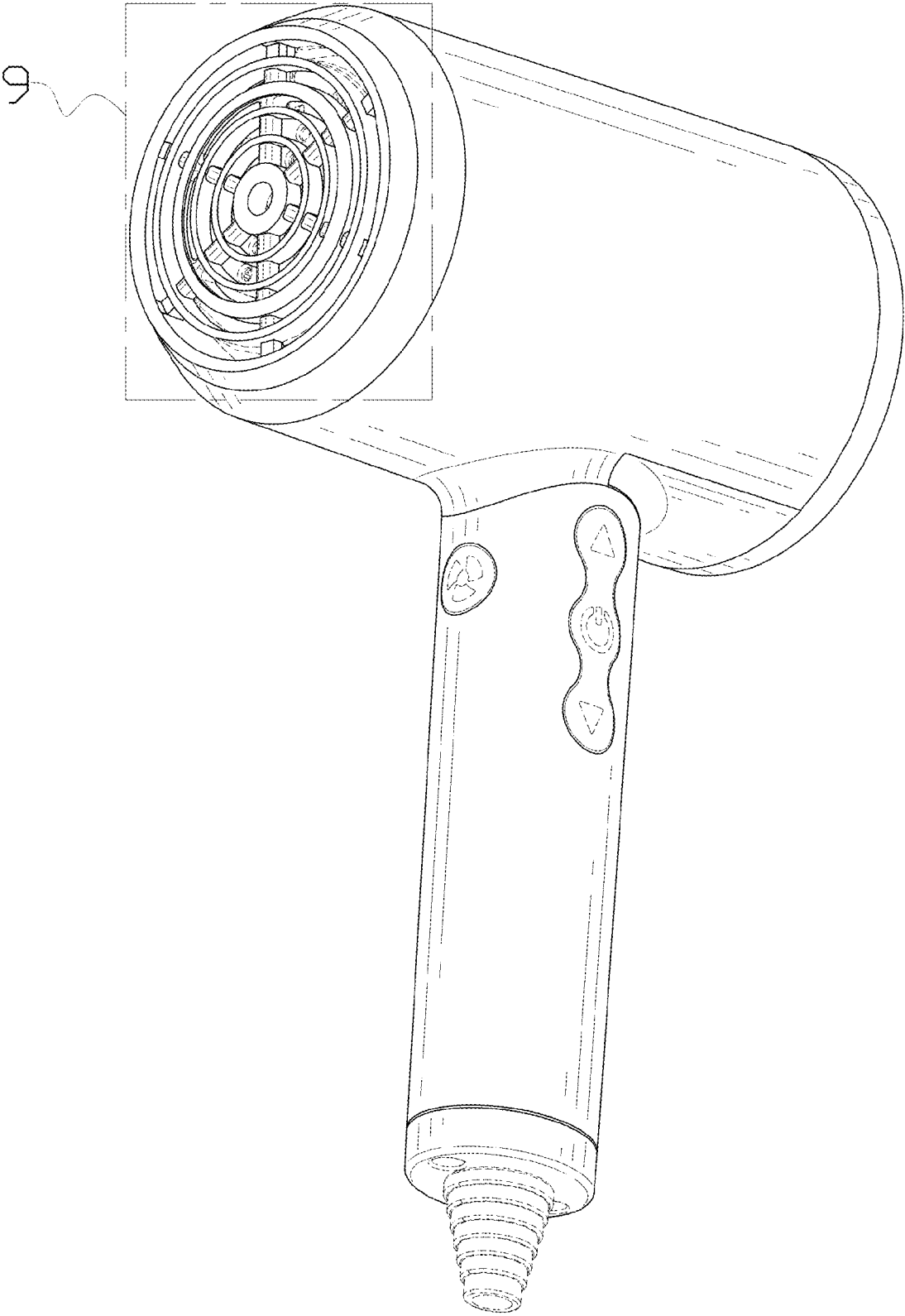


FIG. 1

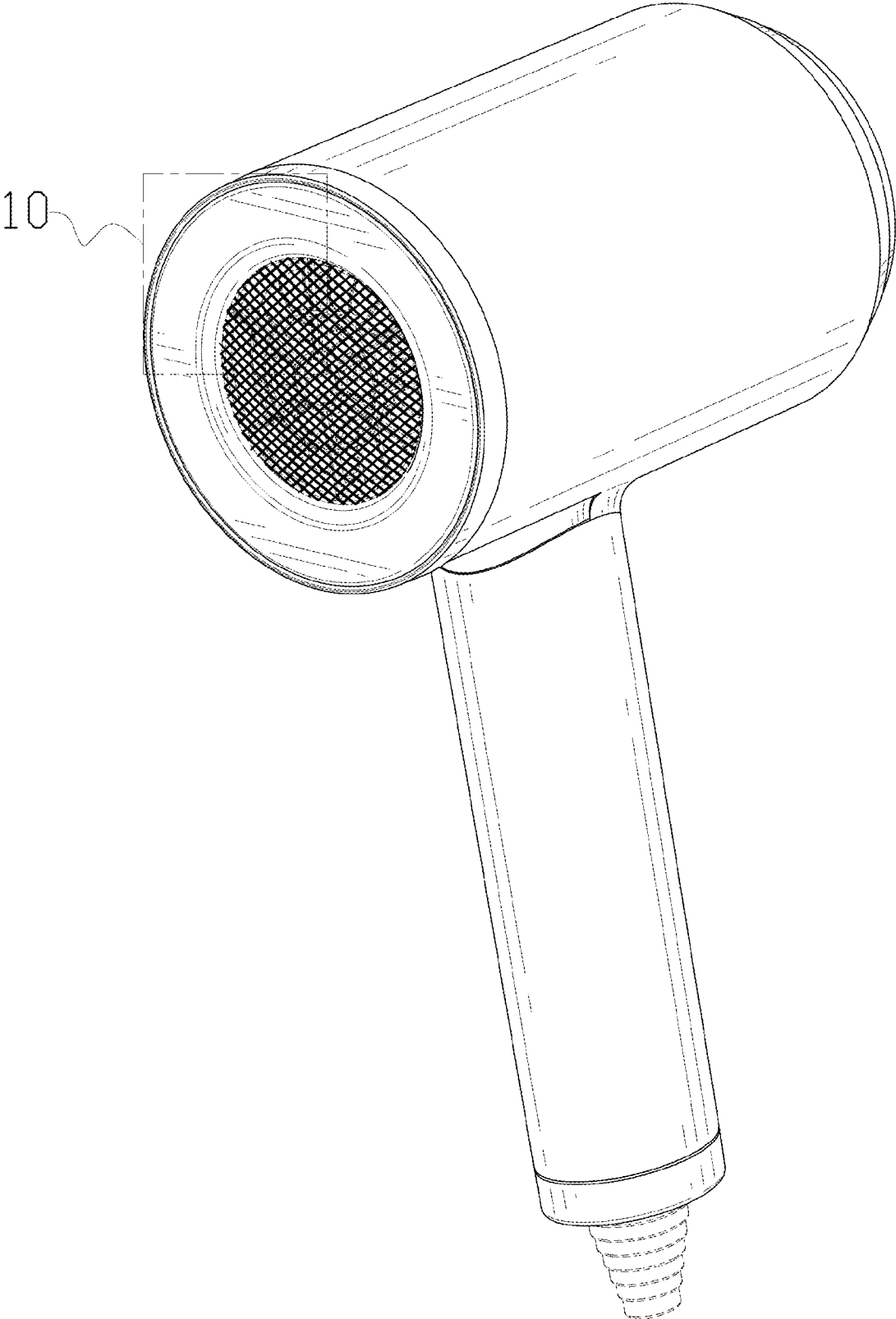


FIG. 2

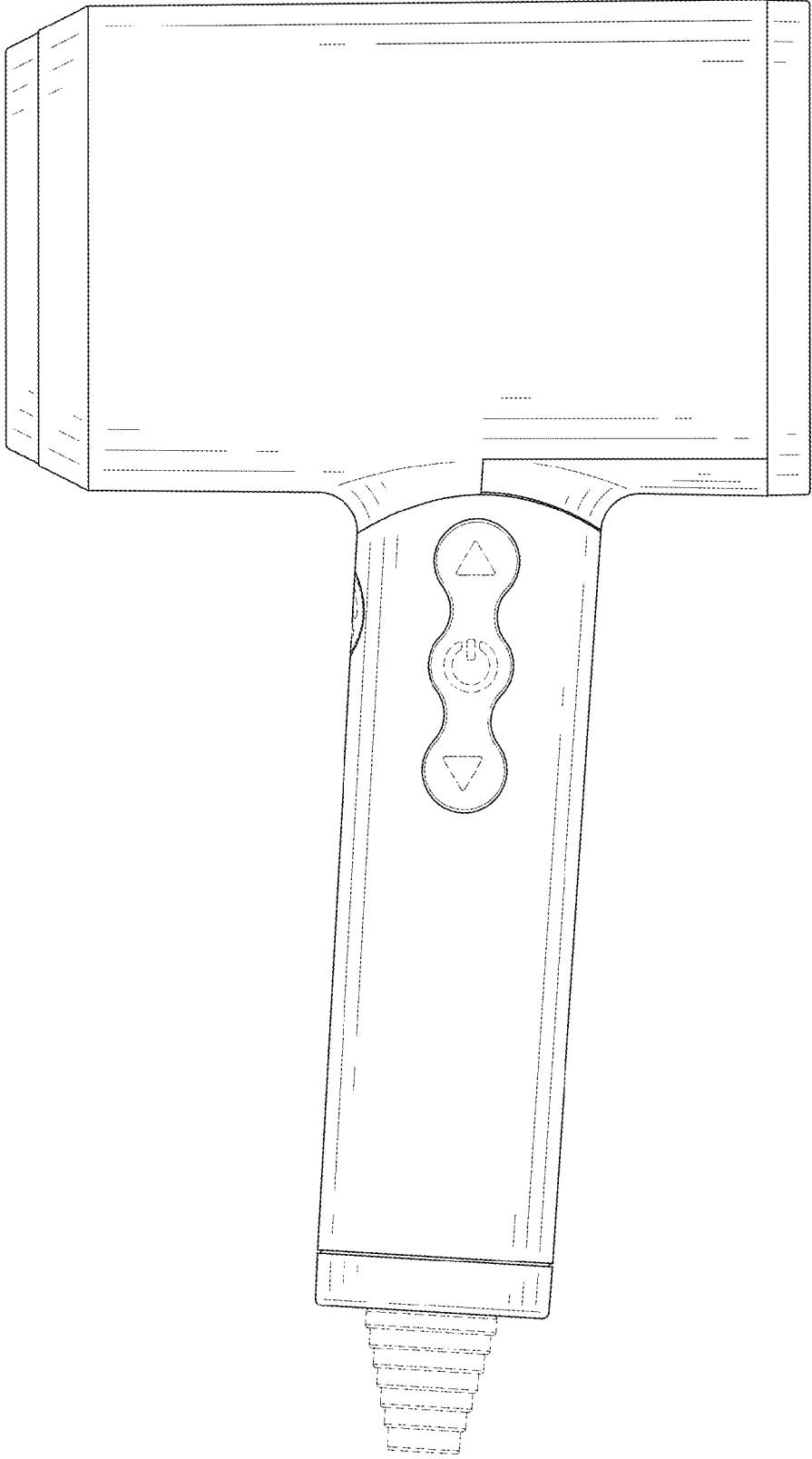


FIG. 3

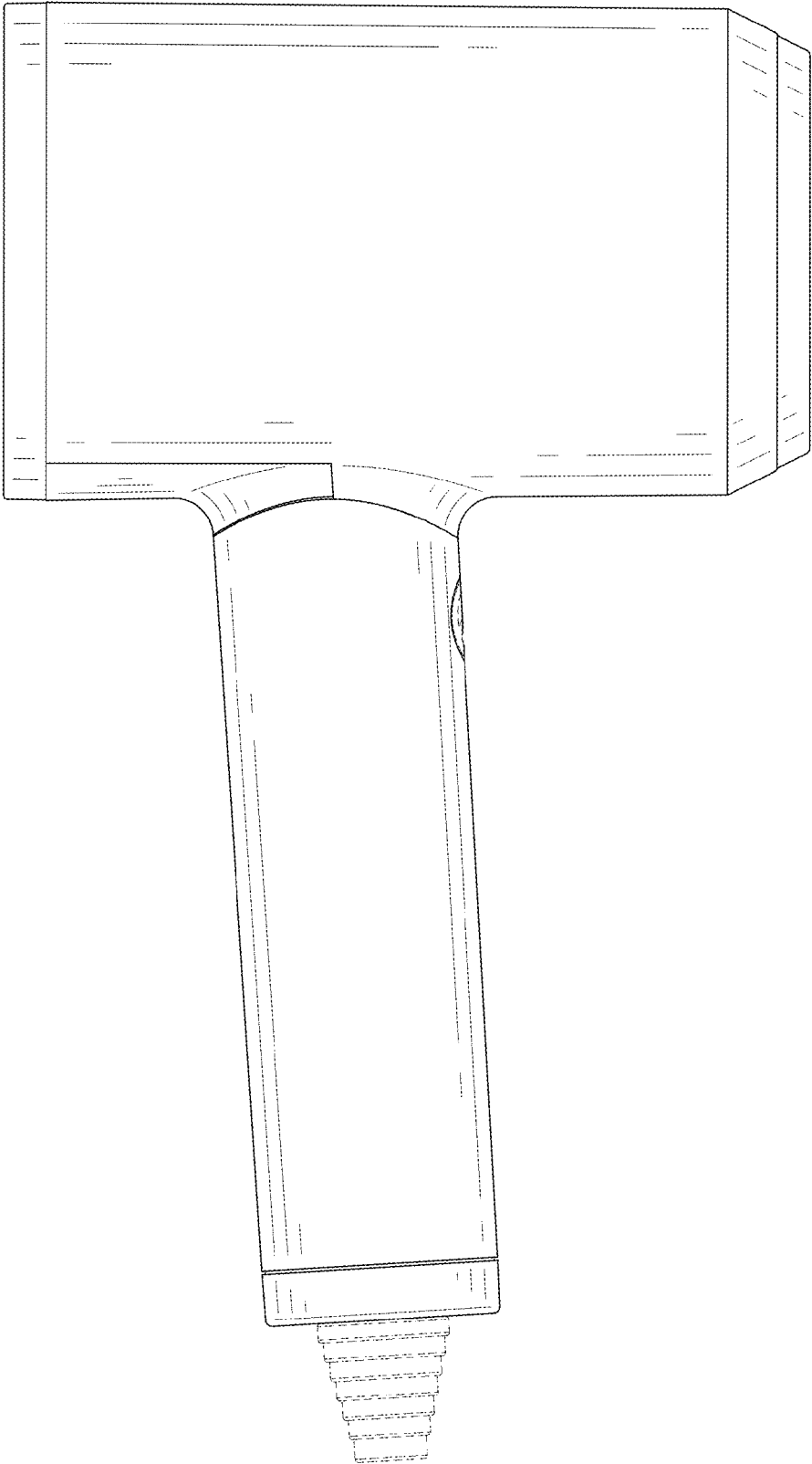


FIG. 4

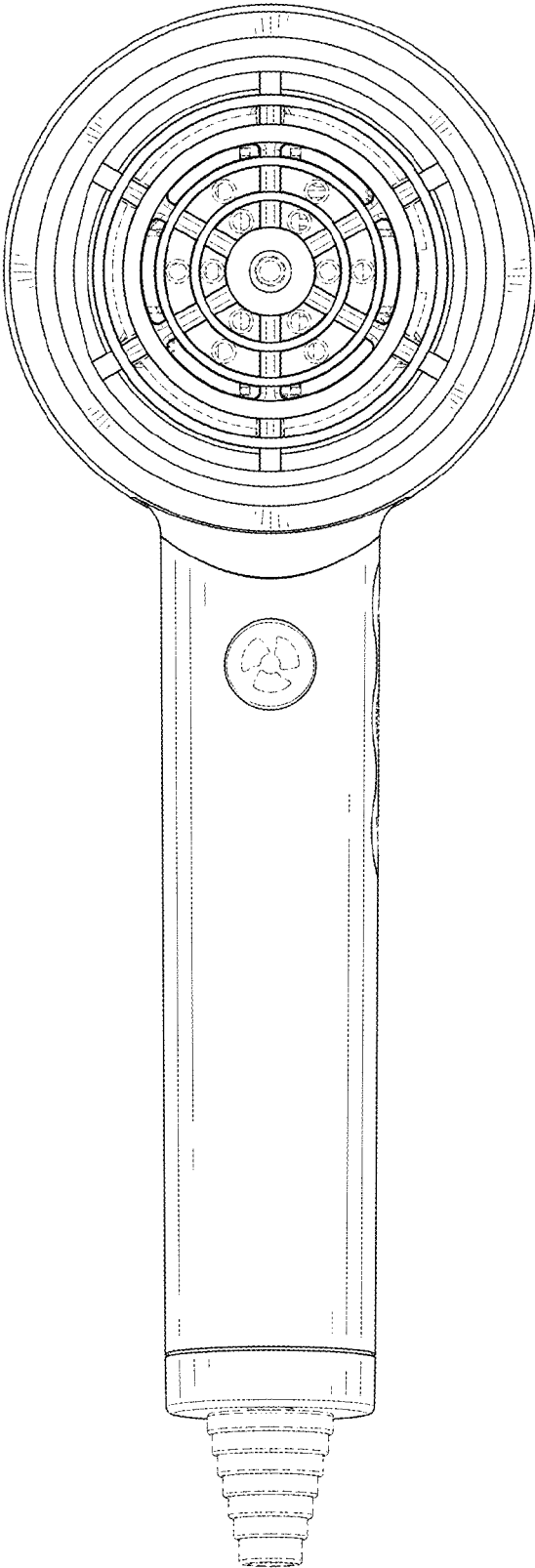


FIG. 5

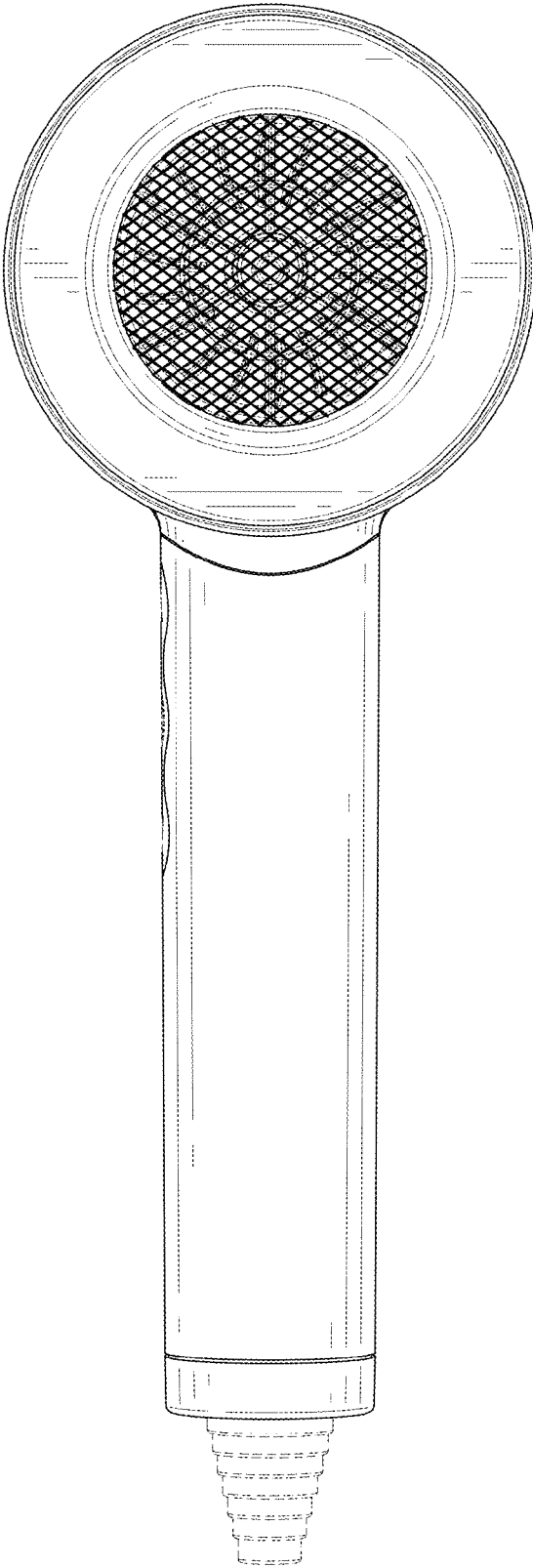


FIG. 6

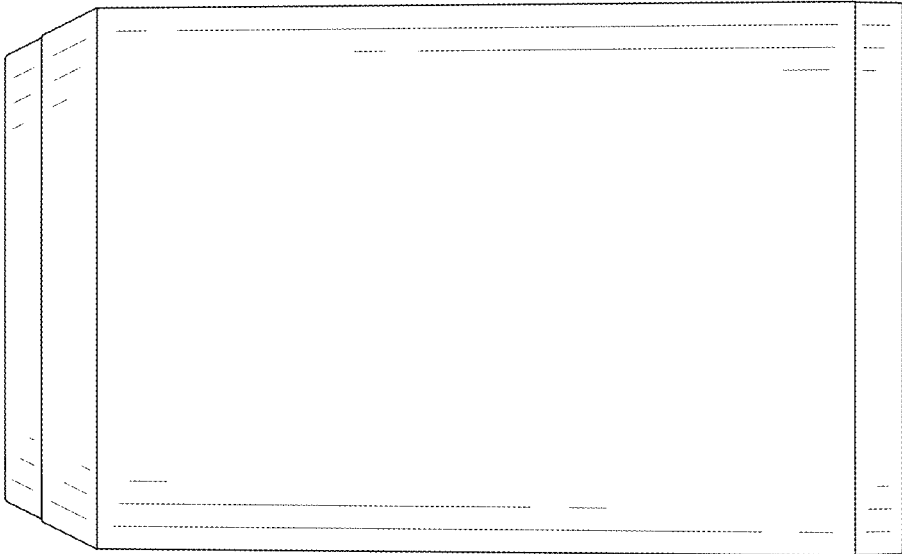


FIG. 7

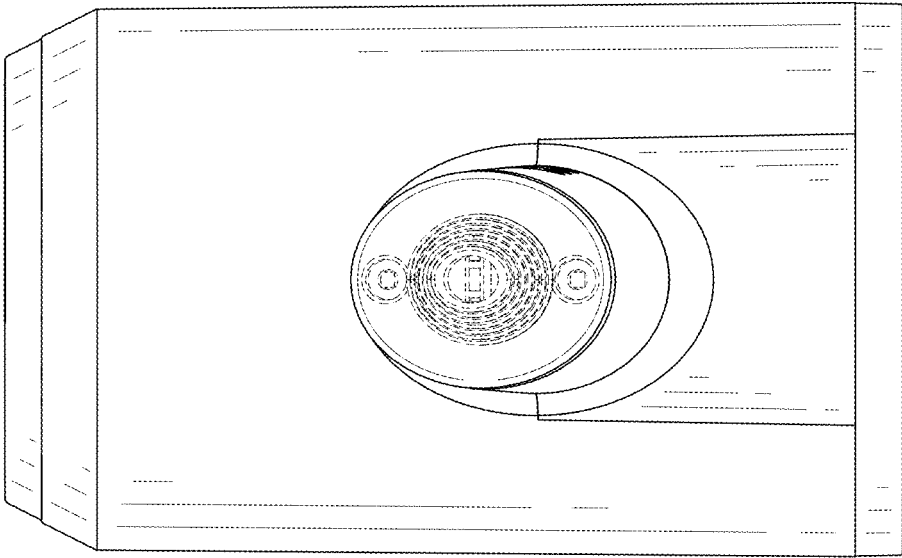


FIG. 8

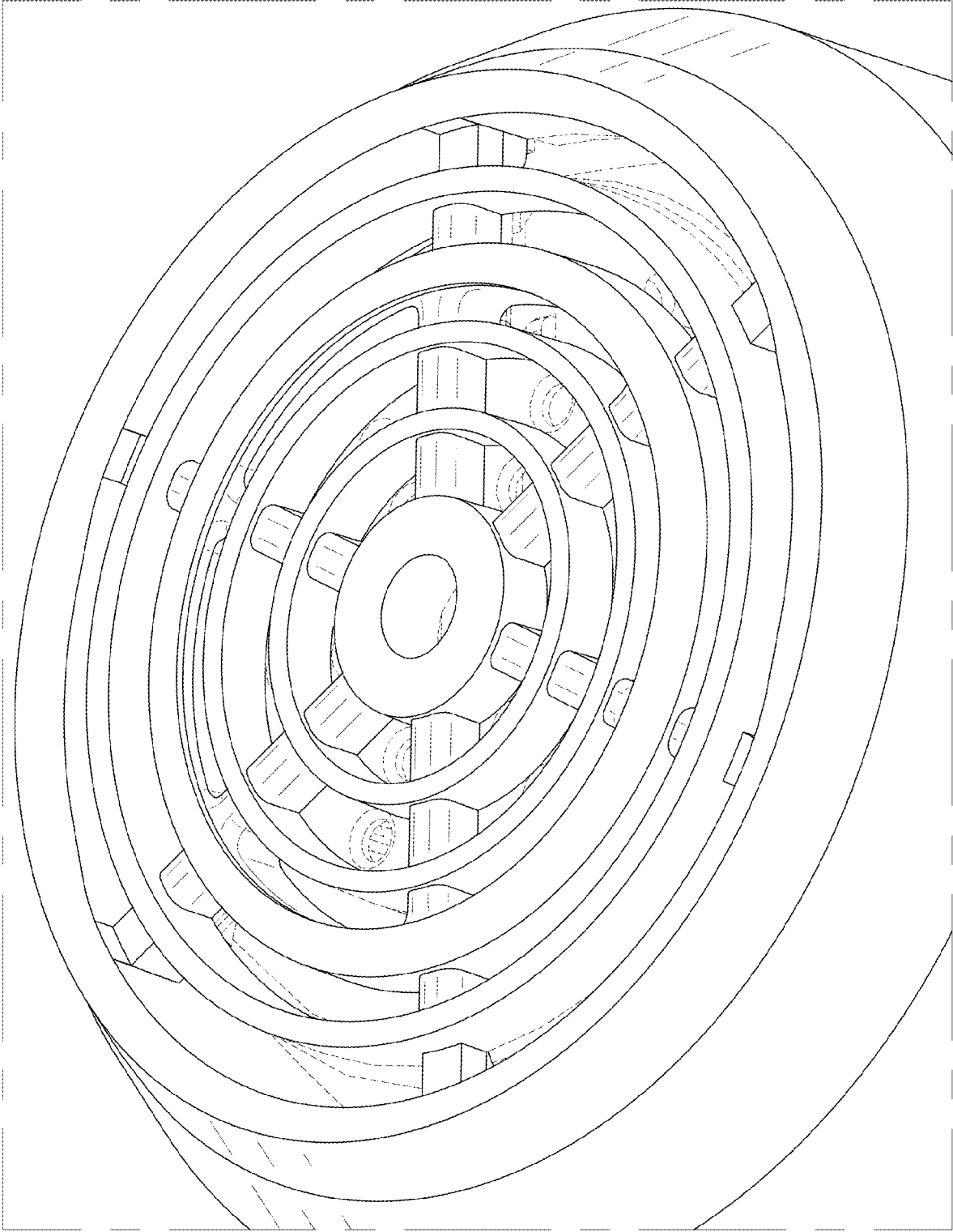


FIG. 9

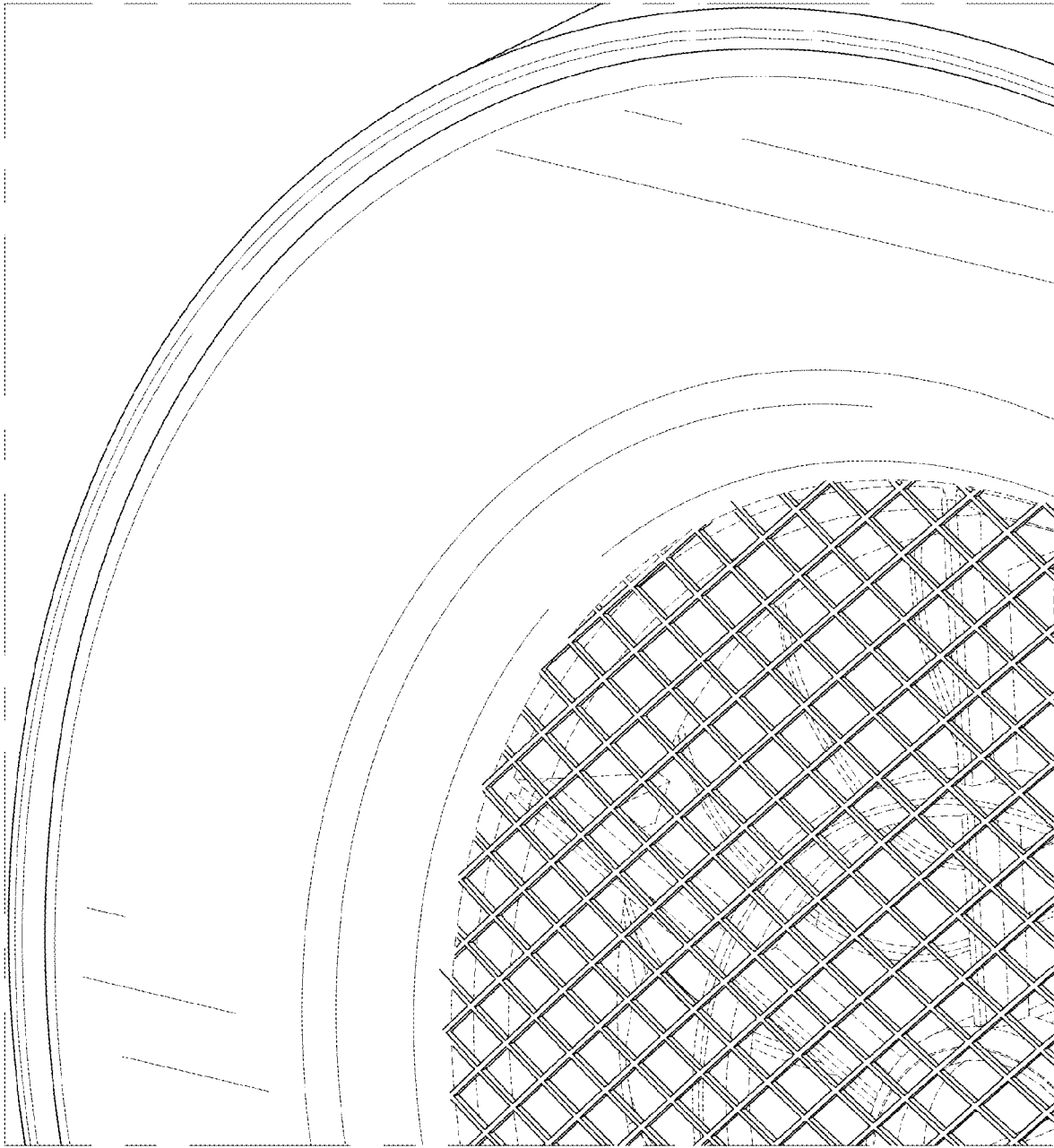


FIG. 10