



- (51) International Patent Classification:
E04G 21/18 (2006.01) E04C 5/16 (2006.01)
- (21) International Application Number:
PCT/US2014/014708
- (22) International Filing Date:
4 February 2014 (04.02.2014)
- (25) Filing Language: English
- (26) Publication Language: English
- (30) Priority Data:
61/760,424 4 February 2013 (04.02.2013) US
- (72) Inventor; and
- (71) Applicant : COLEMAN, Chuck [US/US]; PO Box 5813, Kent, WA 98064 (US).
- (74) Agent: CRAINE, Dean, A.; 9 Lake Bellevue Drive, Ste 208, Bellevue, WA 98005 (US).
- (81) Designated States (unless otherwise indicated, for every kind of national protection available): AE, AG, AL, AM, AO, AT, AU, AZ, BA, BB, BG, BH, BN, BR, BW, BY, BZ, CA, CH, CL, CN, CO, CR, CU, CZ, DE, DK, DM,

DO, DZ, EC, EE, EG, ES, FI, GB, GD, GE, GH, GM, GT, HN, HR, HU, ID, IL, IN, IR, IS, JP, KE, KG, KN, KP, KR, KZ, LA, LC, LK, LR, LS, LT, LU, LY, MA, MD, ME, MG, MK, MN, MW, MX, MY, MZ, NA, NG, NI, NO, NZ, OM, PA, PE, PG, PH, PL, PT, QA, RO, RS, RU, RW, SA, SC, SD, SE, SG, SK, SL, SM, ST, SV, SY, TH, TJ, TM, TN, TR, TT, TZ, UA, UG, US, UZ, VC, VN, ZA, ZM, ZW.

- (84) Designated States (unless otherwise indicated, for every kind of regional protection available): ARIPO (BW, GH, GM, KE, LR, LS, MW, MZ, NA, RW, SD, SL, SZ, TZ, UG, ZM, ZW), Eurasian (AM, AZ, BY, KG, KZ, RU, TJ, TM), European (AL, AT, BE, BG, CH, CY, CZ, DE, DK, EE, ES, FI, FR, GB, GR, HR, HU, IE, IS, IT, LT, LU, LV, MC, MK, MT, NL, NO, PL, PT, RO, RS, SE, SI, SK, SM, TR), OAPI (BF, BJ, CF, CG, CI, CM, GA, GN, GQ, GW, KM, ML, MR, NE, SN, TD, TG).

Declarations under Rule 4.17:

- as to the identity of the inventor (Rule 4.17(i))
- of inventorship (Rule 4.17(iv))

[Continued on next page]

(54) Title: REBAR HOLDING CLIP

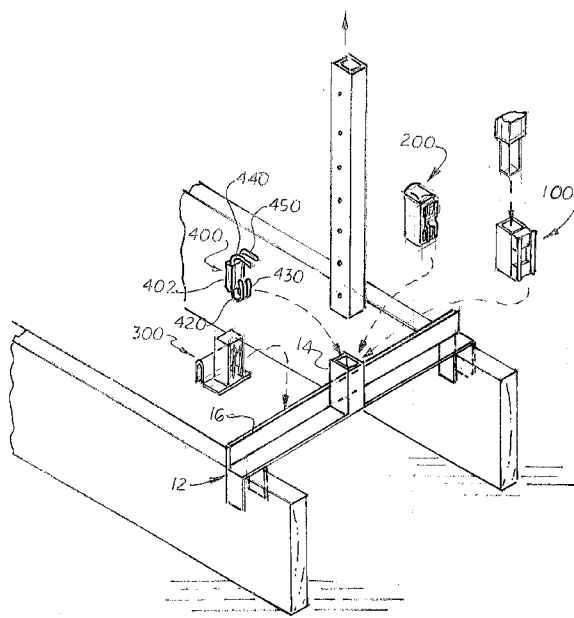


FIG. 2

(57) Abstract: A re bar holding clip for temporarily holding a single piece of re bar that selectively attaches to the stub or to a flange surface on a footing cleat or similar structure. The clip includes a main bracket with two parallel alignment arms longitudinally aligned and mounted on one side surface of the main bracket. In one embodiment, the main bracket is a steel tubular body. The alignment arms are relatively thin and their opposite ends are elevated above the adjacent side surface. The alignment arms are also spaced apart and creating a continuous, elongated inner receiving space. Located under the ends of the alignment arms is a flat magnet with a center section exposed to the receiving space. Magnetic forces generated by the two magnets temporarily hold the rebar in the receiving space and between the alignment arms.





Published:

(88) Date of publication of the international search report:

26 February 2015

- *with international search report (Art. 21(3))*
- *before the expiration of the time limit for amending the claims and to be republished in the event of receipt of amendments (Rule 48.2(h))*

INTERNATIONAL SEARCH REPORT

International application No.

PCT/US 14/14708

A. CLASSIFICATION OF SUBJECT MATTER
 IPC(8) - E04G 21/18, E04C 5/16 (2014.01)
 CPC - E04 G 21/185, E04 C 5/168
 According to International Patent Classification (IPC) or to both national classification and IPC

B. FIELDS SEARCHED

Minimum documentation searched (classification system followed by classification symbols)
 IPC: E04G 21/18, E04C 5/16 (2014.01)
 CPC: E04 G 21/185, E04 C 5/168, USPC: 249/91, 249/93

Documentation searched other than minimum documentation to the extent that such documents are included in the fields searched
 USPC: 249/91, 249/93, 249/219.1, 248/166, 225/96, 52/704, 52/688, 52/677, 52/685

Electronic data base consulted during the international search (name of data base and, where practicable, search terms used)
 Patbase, Google (Web, Patents, Images)
 Rebar, curve, section, support, device, parallel, magnet, magnetic, bar, reinforcing, clip, cable.

C. DOCUMENTS CONSIDERED TO BE RELEVANT

Category*	Citation of document, with indication, where appropriate, of the relevant passages	Relevant to claim No.
A	US 1,794,138 A (Bitney) 24 February 1931 (24.02.1931) entire document, especially fig. 1-3; In 31-70.	1-11
A	US 4,132,045 A (Sullivan) 02 January 1979 (02.01.1979) entire document, especially fig. 1-3; col 3, In 15-45.	1-11
A	US 5,700,385 A (Jones) 23 December 1997 (23.12.1997) entire document, especially fig. 6-8; col 4, In 8-55.	1-11
A	US 6,685,075 B1 (Kannankeril) 03 February 2004 (03.02.2004) entire document, especially fig. 3.	1-11
A	US 2003/0102413 A1 (Svabek et al.) 05 June 2003 (05.06.2003) entire document, especially fig. 2; para [0011]-[0012].	1-11

Further documents are listed in the continuation of Box C.

* Special categories of cited documents:	"T" later document published after the international filing date or priority date and not in conflict with the application but cited to understand the principle or theory underlying the invention
"A" document defining the general state of the art which is not considered to be of particular relevance	"X" document of particular relevance; the claimed invention cannot be considered novel or cannot be considered to involve an inventive step when the document is taken alone
"E" earlier application or patent but published on or after the international filing date	"Y" document of particular relevance; the claimed invention cannot be considered to involve an inventive step when the document is combined with one or more other such documents, such combination being obvious to a person skilled in the art
"L" document which may throw doubts on priority claim(s) or which is cited to establish the publication date of another citation or other special reason (as specified)	"&" document member of the same patent family
"O" document referring to an oral disclosure, use, exhibition or other means	
"P" document published prior to the international filing date but later than the priority date claimed	

Date of the actual completion of the international search 15 December 2014 (15.12.2014)	Date of mailing of the international search report 07 JAN 2015
--	--

Name and mailing address of the ISA/US Mail Stop PCT, Attn: ISA/US, Commissioner for Patents P.O. Box 1450, Alexandria, Virginia 22313-1450 Facsimile No. 571-273-3201	Authorized officer: Lee W. Young PCT Helpdesk: 571-272-4300 PCT OSP: 571-272-7774
---	--