



US00D388733S

United States Patent [19]
Campbell

[11] **Patent Number:** **Des. 388,733**
[45] **Date of Patent:** ****Jan. 6, 1998**

[54] **EASTER TOMB PENDANT**
[76] **Inventor:** **Chris Campbell**, 2121 San Jacinto, Ste.
204, Dallas, Tex. 75201
[**] **Term:** **14 Years**
[21] **Appl. No.:** **64,839**
[22] **Filed:** **Jan. 10, 1997**
[51] **LOC (6) Cl.** **11-01**
[52] **U.S. Cl.** **D11/81**
[58] **Field of Search** D11/1, 2, 79-85,
D11/95, 97, 98, 99, 111; 63/1.1, 2, 20,
32

D. 114,580 5/1939 Shields D11/79
D. 247,882 5/1978 Zimmerman D11/81
D. 290,821 7/1987 Deville D11/81
D. 325,003 3/1992 Peterson D11/95
3,647,279 3/1972 Sharplee et al. 63/32

Primary Examiner—Ralf Seifert
Attorney, Agent, or Firm—David W. Carstens; Strasburger
& Price

[57] **CLAIM**

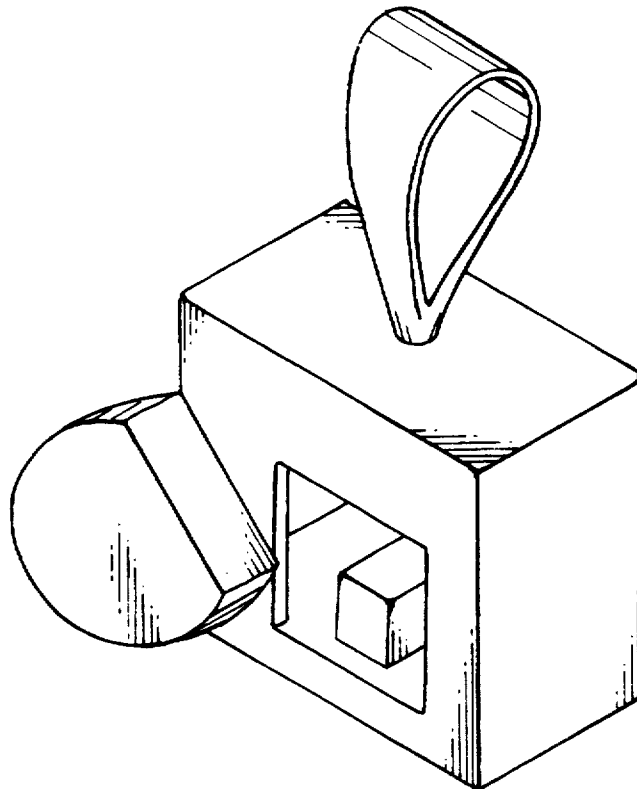
The ornamental design for Easter tomb pendant, as shown.

DESCRIPTION

FIG. 1 is a perspective view of an Easter tomb pendant
embodying the present invention;
FIG. 2 is a top view of the Easter tomb pendant;
FIG. 3 is a right side view of the Easter tomb pendant;
FIG. 4 is a back view of the Easter tomb pendant;
FIG. 5 is a left view of the Easter tomb pendant; and,
FIG. 6 is a bottom view of the Easter tomb pendant.

[56] **References Cited**
U.S. PATENT DOCUMENTS
22,675 8/1859 Hahn D11/97

1 Claim, 1 Drawing Sheet



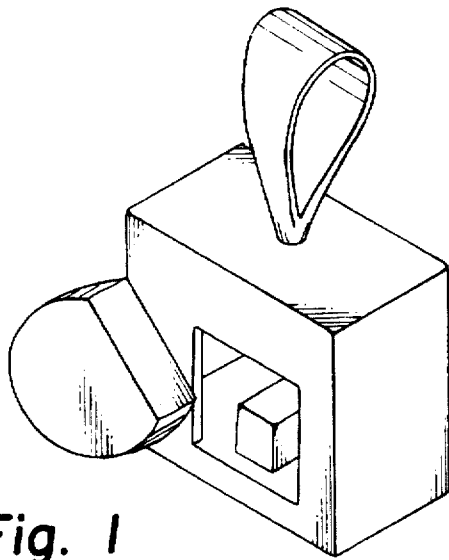


Fig. 1

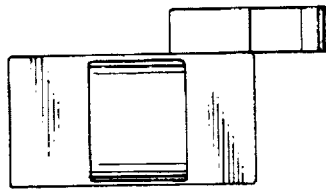


Fig. 2

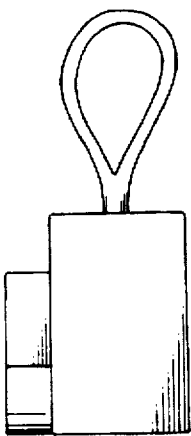


Fig. 3

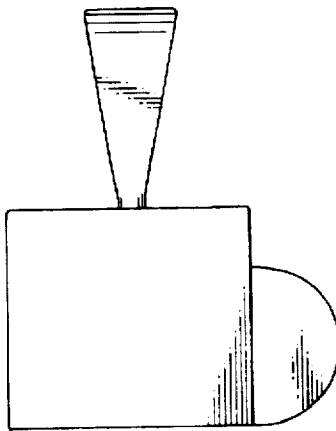


Fig. 4

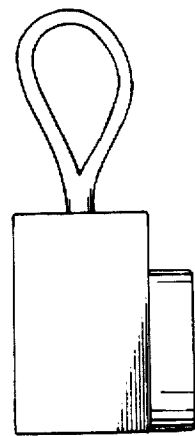


Fig. 5

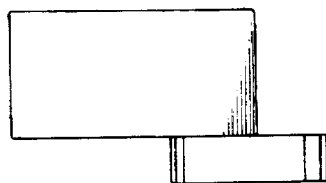


Fig. 6