

(19) World Intellectual Property Organization
International Bureau



(43) International Publication Date
27 February 2003 (27.02.2003)

PCT

(10) International Publication Number
WO 03/017639 A3

- (51) International Patent Classification⁷: H04N 5/268
- (21) International Application Number: PCT/US02/25742
- (22) International Filing Date: 13 August 2002 (13.08.2002)
- (25) Filing Language: English
- (26) Publication Language: English
- (30) Priority Data:
60/312,093 13 August 2001 (13.08.2001) US
10/217,950 12 August 2002 (12.08.2002) US
- (71) Applicant (for all designated States except US): ISKY, INC. [US/US]; 268 East 900 South, Layton, UT 84041 (US).

(81) Designated States (national): AE, AG, AL, AM, AT, AU, AZ, BA, BB, BG, BR, BY, BZ, CA, CH, CN, CO, CR, CU, CZ, DE, DK, DM, DZ, EC, EE, ES, FI, GB, GD, GE, GH, GM, HR, HU, ID, IL, IN, IS, JP, KE, KG, KP, KR, KZ, LC, LK, LR, LS, LT, LU, LV, MA, MD, MG, MK, MN, MW, MX, MZ, NO, NZ, OM, PH, PL, PT, RO, RU, SD, SE, SG, SI, SK, SL, TJ, TM, TN, TR, TT, TZ, UA, UG, US, UZ, VC, VN, YU, ZA, ZM, ZW.

(84) Designated States (regional): ARIPO patent (GH, GM, KE, LS, MW, MZ, SD, SL, SZ, TZ, UG, ZM, ZW), Eurasian patent (AM, AZ, BY, KG, KZ, MD, RU, TJ, TM), European patent (AT, BE, BG, CH, CY, CZ, DE, DK, EE, ES, FI, FR, GB, GR, IE, IT, LU, MC, NL, PT, SE, SK, TR), OAPI patent (BF, BJ, CF, CG, CI, CM, GA, GN, GQ, GW, ML, MR, NE, SN, TD, TG).

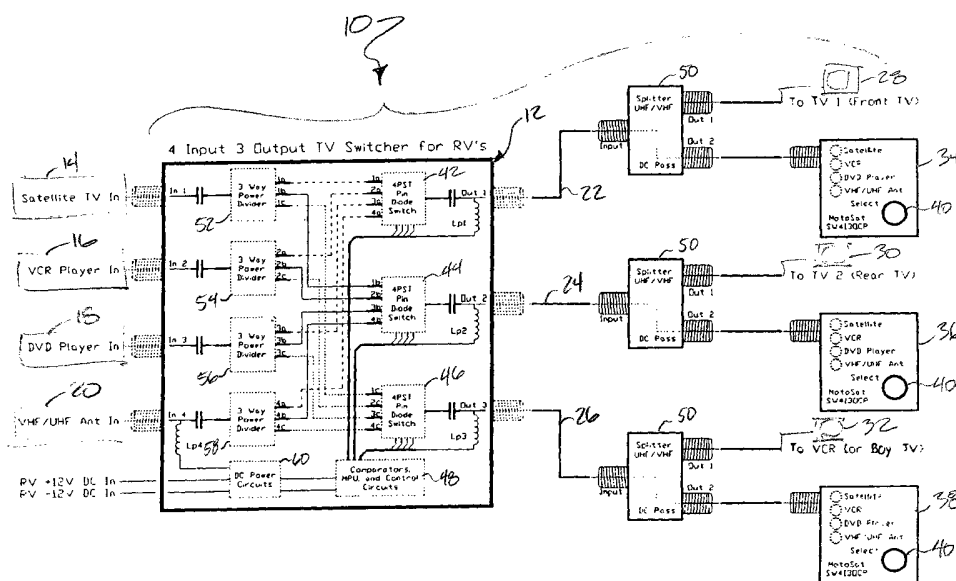
- (72) Inventors; and
- (75) Inventors/Applicants (for US only): YAMADA, Eugene [—/—]; * (**). TRAVIS, Edward [—/—]; * (**). OAKESON, Glen [—/—]; * (**).
- (74) Agents: THOMPSON, Clifton, W. et al.; Thorpe North & Western LLP, P.O. Box 1219, Sandy, UT 84091-1219 (US).

Published:
— with international search report

(88) Date of publication of the international search report:
1 May 2003

[Continued on next page]

(54) Title: TV RF SWITCHING SYSTEM



(57) Abstract: A TV signal switching system (10) including a switch (12) configured to be connected to two or more signal sources such as a DVD player, VCR, satellite receiver, cable TV connection, VHF/UHF antenna, computer, Web TV and other internet interfaces, TiVo and other digital recording and playback systems, game console, a live feed from a video camera or other image capture device, or other TV signal source, and connectable to a remote TV monitor (28) by a coaxial cable (22) or equivalent, and a switch controller (34) located adjacent the remote TV configured to select a signal source for the remote TV monitor by signaling the switch over the coaxial cable to connect the desired signal source (14, 16, 18, or 20) to the remote TV monitor.

WO 03/017639 A3



For two-letter codes and other abbreviations, refer to the "Guidance Notes on Codes and Abbreviations" appearing at the beginning of each regular issue of the PCT Gazette.

INTERNATIONAL SEARCH REPORT

International application No.

PCT/US02/25742

A. CLASSIFICATION OF SUBJECT MATTER		
IPC(7) : HO4N 5/268		
US CL : 348/705		
According to International Patent Classification (IPC) or to both national classification and IPC		
B. FIELDS SEARCHED		
Minimum documentation searched (classification system followed by classification symbols) U.S. : 348/705, 706, 553, 554, 555, 13		
Documentation searched other than minimum documentation to the extent that such documents are included in the fields searched		
Electronic data base consulted during the international search (name of data base and, where practicable, search terms used)		
C. DOCUMENTS CONSIDERED TO BE RELEVANT		
Category *	Citation of document, with indication, where appropriate, of the relevant passages	Relevant to claim No.
X	US 5,838,393 A (SIMPSON et al) 17 November 1998, Figures 1-3, column 3, line 16 to column 4, line 64.	1-7
X	US 6,208,388 B1 (FARLEIGH) 27 MARCH 2001, Figure 2, Column 3, line 27 to column 5, line 29.	1-7
A	US 6,246,432 B1 (TAKAMI et al) 12 June 2001, Figures 1-2.	1-7
A	US 5,917,557 A (TOYODA) 29 June 1999, Figure 1.	1-7
A	US 6,122,018 A (SUGIHARA et al) 19 September 2000, Figure 1.	1-7
A	US 5,990,974 A (AMINO et al) 23 November 1999, Figure 1.	1-7
<input checked="" type="checkbox"/> Further documents are listed in the continuation of Box C. <input type="checkbox"/> See patent family annex.		
* Special categories of cited documents:		
"A"	document defining the general state of the art which is not considered to be of particular relevance	"T" later document published after the international filing date or priority date and not in conflict with the application but cited to understand the principle or theory underlying the invention
"E"	earlier application or patent published on or after the international filing date	"X" document of particular relevance; the claimed invention cannot be considered novel or cannot be considered to involve an inventive step when the document is taken alone
"L"	document which may throw doubts on priority claim(s) or which is cited to establish the publication date of another citation or other special reason (as specified)	"Y" document of particular relevance; the claimed invention cannot be considered to involve an inventive step when the document is combined with one or more other such documents, such combination being obvious to a person skilled in the art
"O"	document referring to an oral disclosure, use, exhibition or other means	"&" document member of the same patent family
"P"	document published prior to the international filing date but later than the priority date claimed	
Date of the actual completion of the international search		Date of mailing of the international search report
22 November 2002 (22.11.2002)		14 FEB 2003
Name and mailing address of the ISA/US Commissioner of Patents and Trademarks Box PCT Washington, D.C. 20231 Facsimile No. (703)305-3230		Authorized officer Trang U. Tran Telephone No. (703) 305-0090