



US00D717444S

(12) **United States Design Patent**  
**Pastrick et al.**

(10) **Patent No.:** **US D717,444 S**

(45) **Date of Patent:** **\*\* Nov. 11, 2014**

(54) **AUTOMATIC EXTERNAL DEFIBRILLATOR TRAINING DEVICE**

(56) **References Cited**

U.S. PATENT DOCUMENTS

(71) Applicants: **John J. Pastrick**, University Heights, OH (US); **Christopher E. Bryniarski**, South Euclid, OH (US); **Mark E. Cook**, Stow, OH (US); **Timothy E. Lint**, North Royalton, OH (US); **Daniel R. Moon**, Painesville, OH (US)

D372,977 S *	8/1996	Bishay .....	D24/167
5,662,690 A	9/1997	Cole et al.	
D411,620 S	6/1999	Lindseth et al.	
D414,266 S	9/1999	Pastrick et al.	
D441,450 S	5/2001	Salvatori et al.	
D466,215 S	11/2002	Lindseth et al.	
D471,279 S	3/2003	Locke et al.	
D484,981 S	1/2004	Faller et al.	
D485,360 S	1/2004	Faller et al.	
D490,156 S	5/2004	Fischer et al.	
D499,183 S	11/2004	Vaisnys et al.	
D548,346 S	8/2007	Vaisnys et al.	
D551,766 S	9/2007	Bertagnole et al.	
D625,013 S	10/2010	Kawamura et al.	
D679,017 S *	3/2013	London .....	D24/167
2009/0254136 A1	10/2009	Powers	

(72) Inventors: **John J. Pastrick**, University Heights, OH (US); **Christopher E. Bryniarski**, South Euclid, OH (US); **Mark E. Cook**, Stow, OH (US); **Timothy E. Lint**, North Royalton, OH (US); **Daniel R. Moon**, Painesville, OH (US)

\* cited by examiner

(73) Assignee: **Preston Products LLC**, Mayfield Village, OH (US)

*Primary Examiner* — Anhdao Doan

(\*\*) Term: **14 Years**

(57) **CLAIM**  
The ornamental design for an automatic external defibrillator training device, as shown and described.

(21) Appl. No.: **29/464,405**

**DESCRIPTION**

(22) Filed: **Aug. 15, 2013**

FIG. 1 is a perspective top view of an automatic defibrillator training device showing the design;  
FIG. 2 is a perspective bottom view of the automatic defibrillator training device of FIG. 1;  
FIG. 3 is a side view of the automatic defibrillator training device;  
FIG. 4 is a front end view of the automatic defibrillator training device;  
FIG. 5 is a rear end view of the automatic defibrillator training device;  
FIG. 6 is a top view of the automatic defibrillator training device of FIG. 1; and,  
FIG. 7 is a bottom view of the automatic defibrillator training device of FIG. 1.  
The broken lines are provided solely for illustrative purposes and form no part of the claimed design.

**Related U.S. Application Data**

(62) Division of application No. 29/425,381, filed on Jun. 22, 2012, now Pat. No. Des. 690,818.

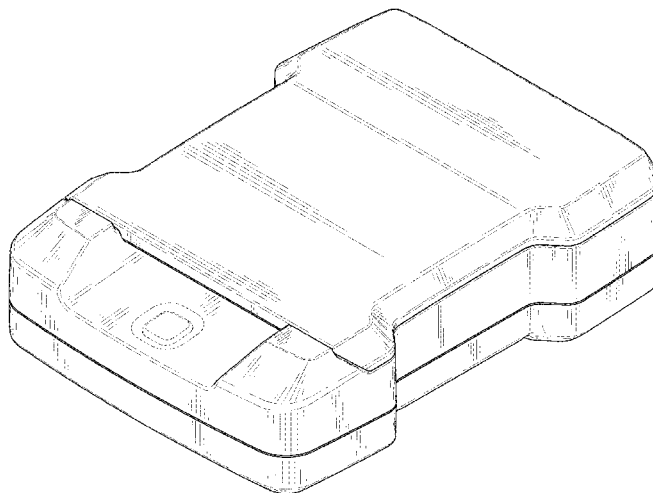
(51) **LOC (10) Cl.** ..... **24-01**

(52) **U.S. Cl.**  
USPC ..... **D24/167**

(58) **Field of Classification Search**  
USPC ..... D24/165-168, 186, 187; 607/5-8, 10, 607/36, 37

See application file for complete search history.

**1 Claim, 5 Drawing Sheets**



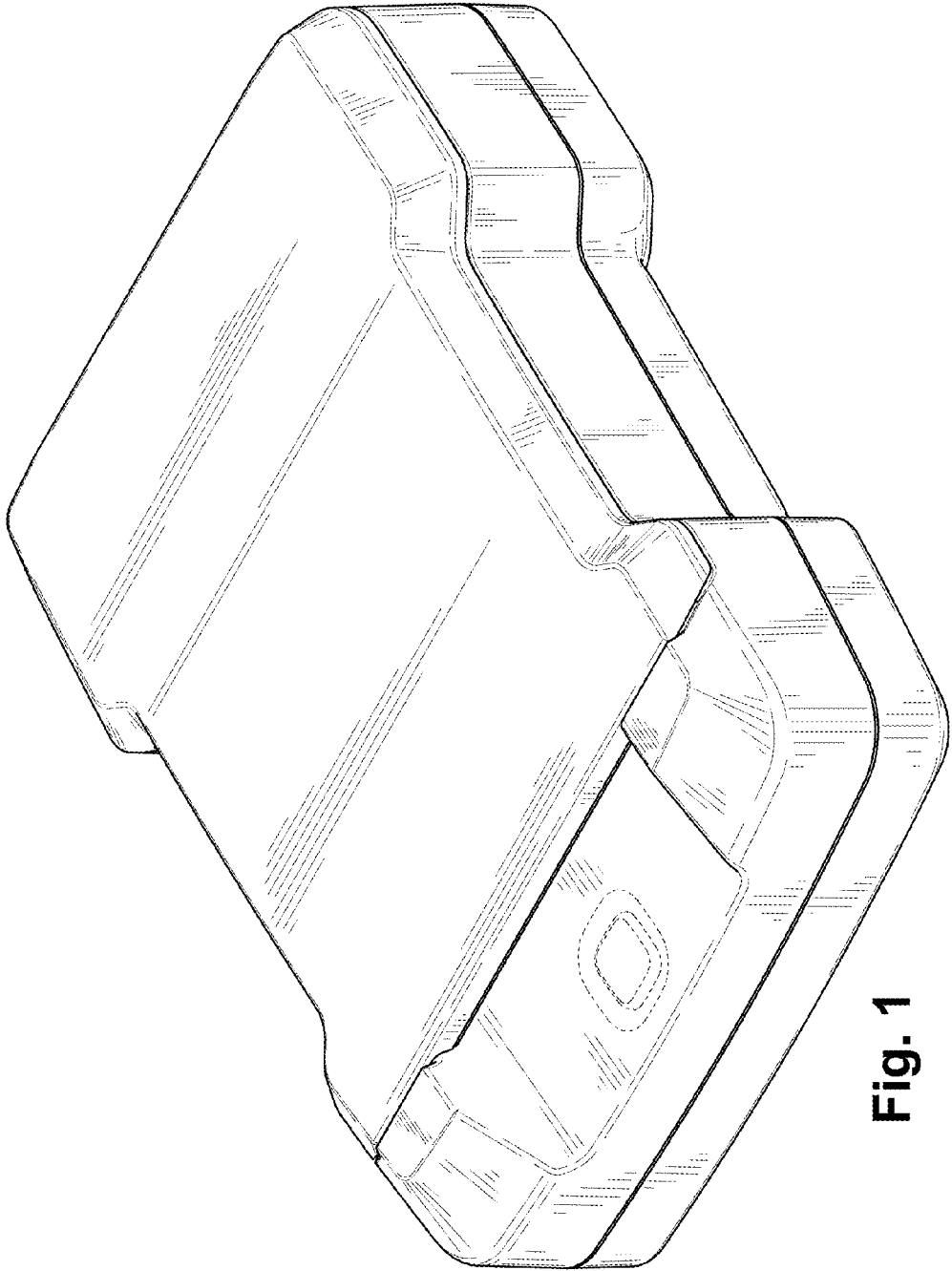


Fig. 1

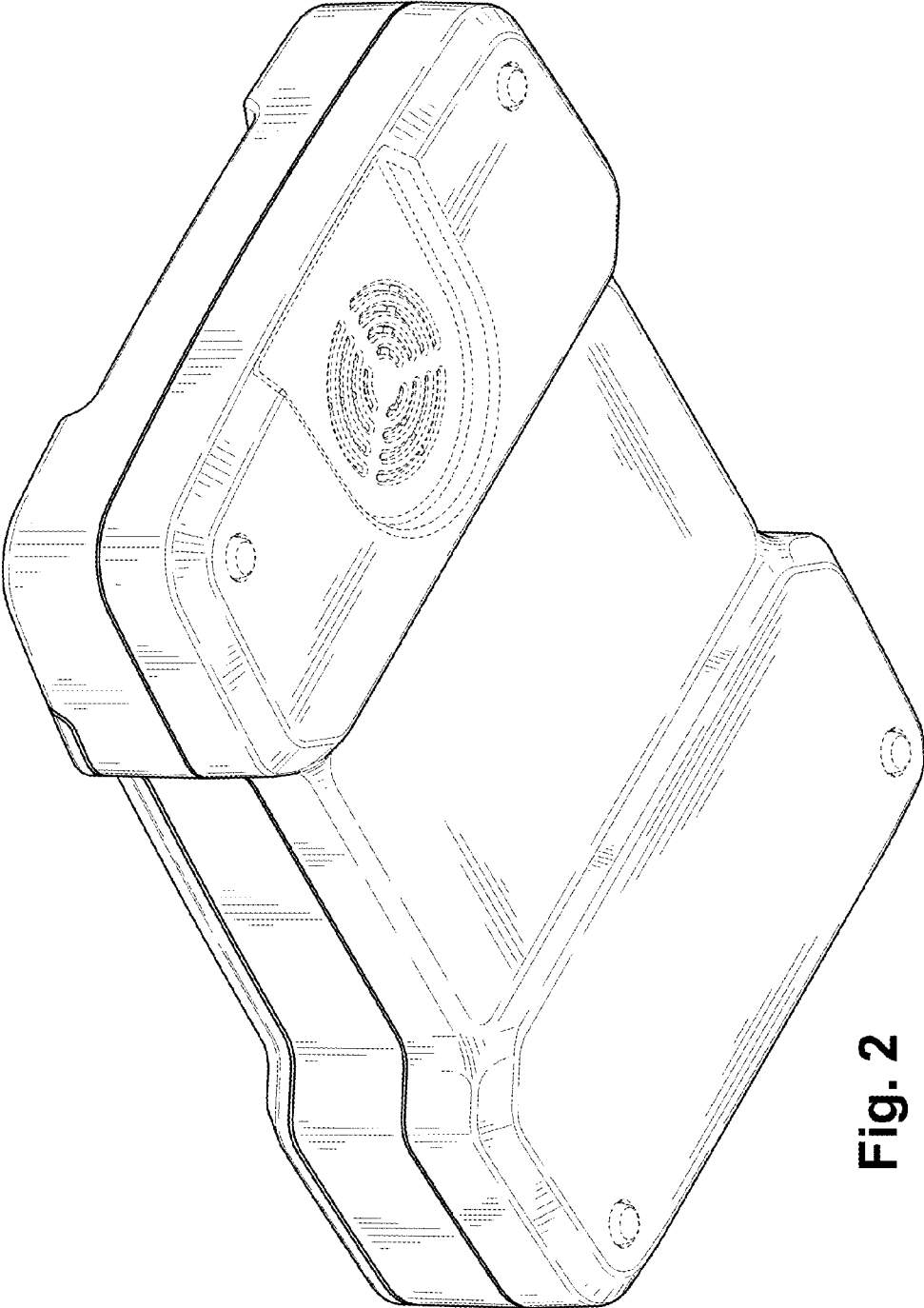


Fig. 2

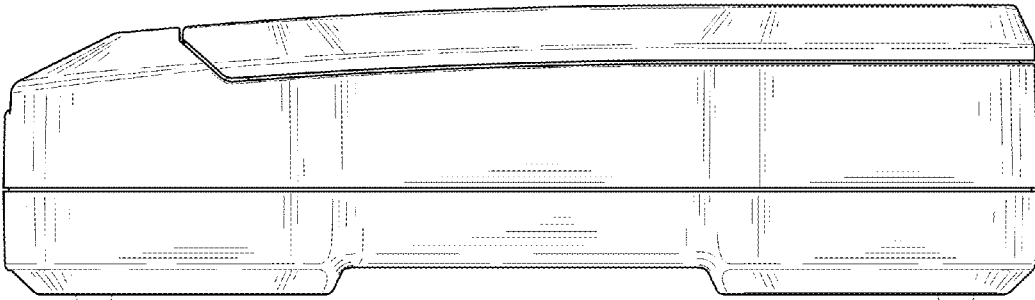


Fig. 3

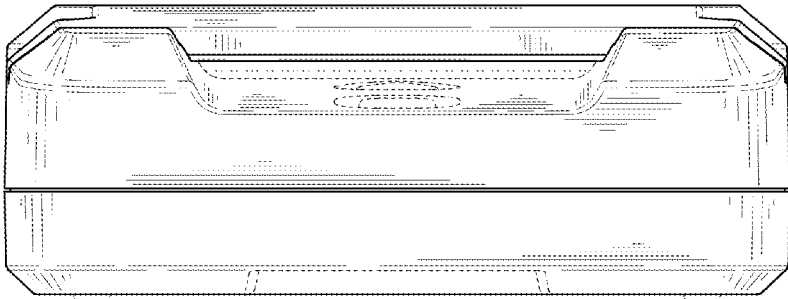


Fig. 4

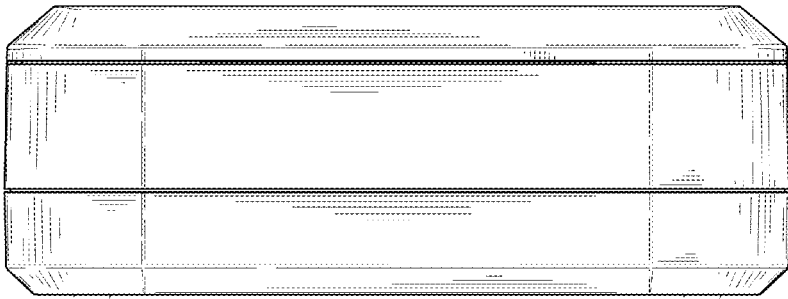


Fig. 5

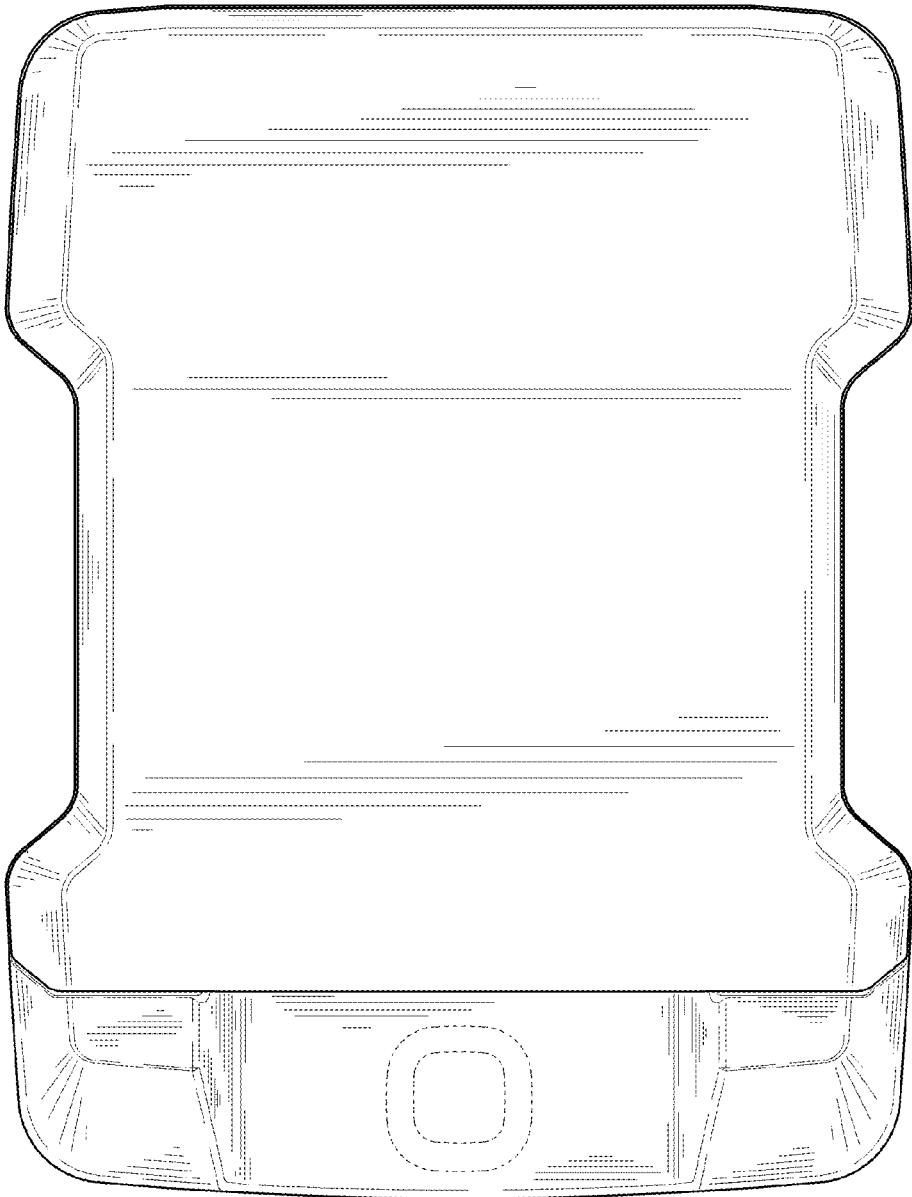


Fig. 6

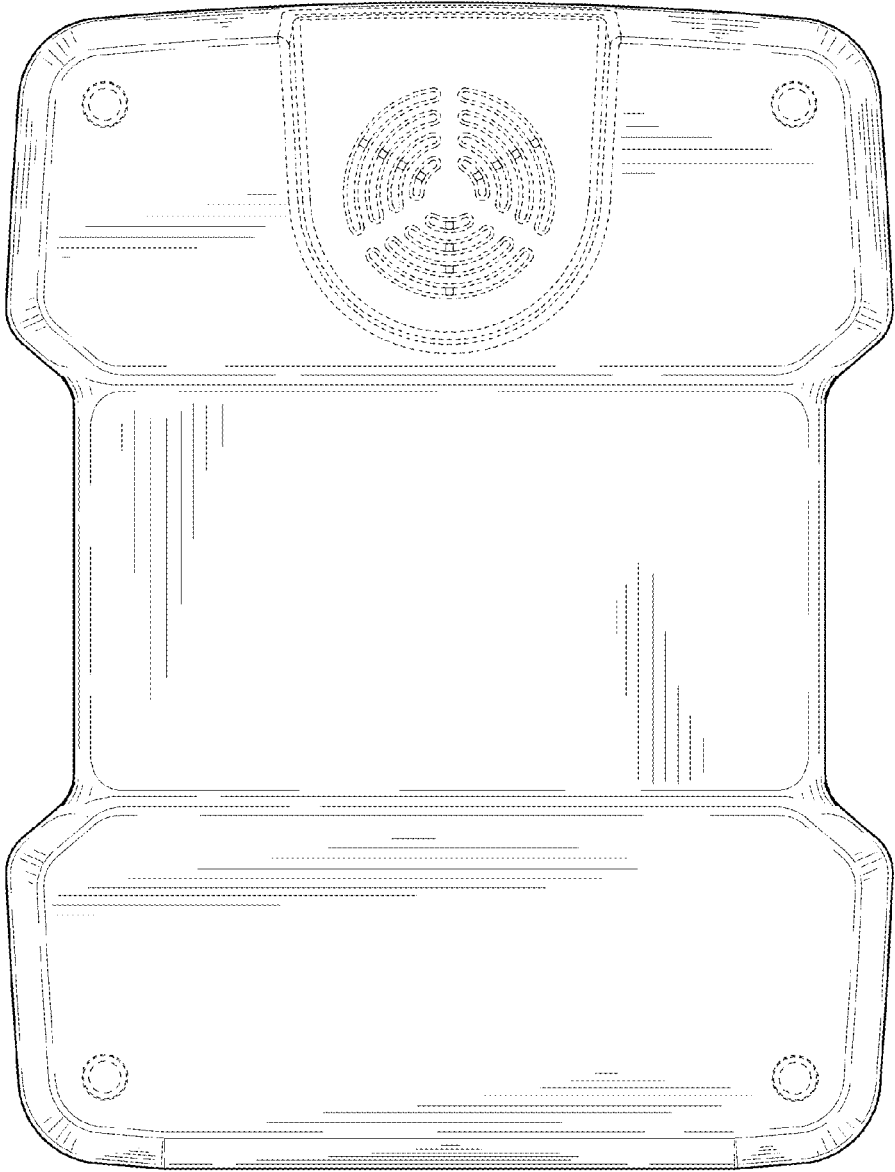


Fig. 7

UNITED STATES PATENT AND TRADEMARK OFFICE  
**CERTIFICATE OF CORRECTION**

PATENT NO. : D717,444 S  
APPLICATION NO. : 29/464405  
DATED : November 11, 2014  
INVENTOR(S) : Pastrick et al.

Page 1 of 1

It is certified that error appears in the above-identified patent and that said Letters Patent is hereby corrected as shown below:

On the Title Page

At Item (72), Inventors:

At line six after (US) add the names “Jessica Birchfield, Cleveland, OH (US)” and “Michael Tracz, Brecksville, OH (US)”

Signed and Sealed this  
Thirteenth Day of August, 2019



Andrei Iancu  
*Director of the United States Patent and Trademark Office*