



US00D707752S

(12) **United States Design Patent**
Wakimoto

(10) **Patent No.:** **US D707,752 S**

(45) **Date of Patent:** **** Jun. 24, 2014**

(54) **TONER CARTRIDGE**

(71) Applicant: **KYOCERA Document Solutions Inc.,**
Osaka (JP)

(72) Inventor: **Atsuhiko Wakimoto, Osaka (JP)**

(73) Assignee: **KYOCERA Document Solutions, Inc.,**
Osaka (JP)

(**) Term: **14 Years**

(21) Appl. No.: **29/459,255**

(22) Filed: **Jun. 27, 2013**

Related U.S. Application Data

(62) Division of application No. 29/432,115, filed on Sep. 13, 2012, now Pat. No. Des. 697,549.

(30) **Foreign Application Priority Data**

Mar. 30, 2012 (JP) 2012-007580
Mar. 30, 2012 (JP) 2012-007581
Mar. 30, 2012 (JP) 2012-007582

(51) **LOC (10) Cl.** **16-03**

(52) **U.S. Cl.**
USPC **D18/43**

(58) **Field of Classification Search**
CPC B41J 2/1752; B41J 2202/20; B41J 2/155;
B41J 2202/19; B41J 2/17513
USPC D18/12, 36, 40, 43, 44, 56; D14/471;
347/49, 50, 197, 222; 399/11, 106,
399/119, 120, 230, 258; 222/DIG. 1

See application file for complete search history.

(56) **References Cited**

U.S. PATENT DOCUMENTS

D379,829 S	6/1997	Hayashi	
D401,618 S *	11/1998	Ikehata	D18/43
D442,624 S *	5/2001	Maeshima	D18/43
D447,168 S *	8/2001	Nishimura	D18/43
D450,080 S *	11/2001	Ashikari	D18/40
D451,538 S *	12/2001	Schwamkrug et al.	D18/40
D502,730 S *	3/2005	Miyagawa	D18/40
D524,848 S *	7/2006	Murata	D18/43
D524,849 S	7/2006	Komai	
D562,881 S	2/2008	Hatanaka et al.	
D562,882 S	2/2008	Hatanaka et al.	
7,515,839 B2	4/2009	Hatanaka	
D621,870 S *	8/2010	Eto	D18/43
D647,557 S	10/2011	Iketani	
D650,415 S *	12/2011	Murata	D18/43
D652,073 S *	1/2012	Murata	D18/43
D653,283 S *	1/2012	Eto	D18/43
D697,549 S *	1/2014	Wakimoto	D18/43
2007/0025758 A1	2/2007	William et al.	
2010/0092207 A1	4/2010	Ito et al.	

* cited by examiner

Primary Examiner — Thomas Johannes

Assistant Examiner — Chelsea Sealey

(74) *Attorney, Agent, or Firm* — Young & Thompson

(57) **CLAIM**

The ornamental design for a toner cartridge, as shown and described.

DESCRIPTION

FIG. 1 is a front, left and top perspective view of a toner cartridge showing my new design;
FIG. 2 is a front, right and bottom perspective view thereof;
FIG. 3 is a front view thereof;
FIG. 4 is a rear view thereof;
FIG. 5 is a left side view thereof;
FIG. 6 is a right side view thereof;
FIG. 7 is a top view thereof; and,
FIG. 8 is a bottom view thereof.

1 Claim, 7 Drawing Sheets

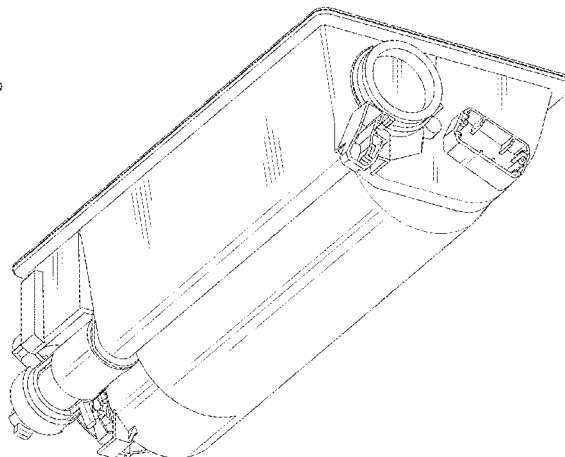
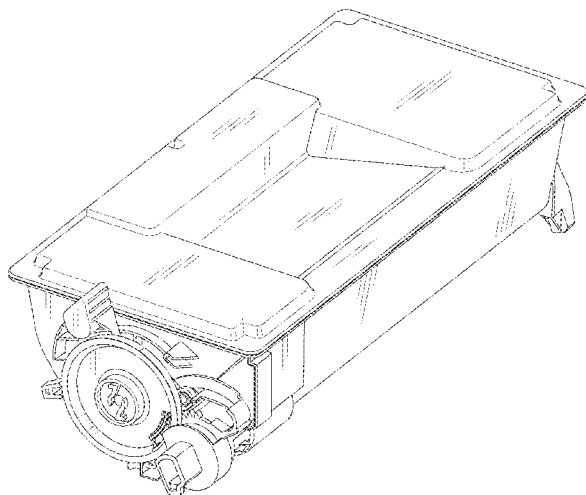


Fig. 1

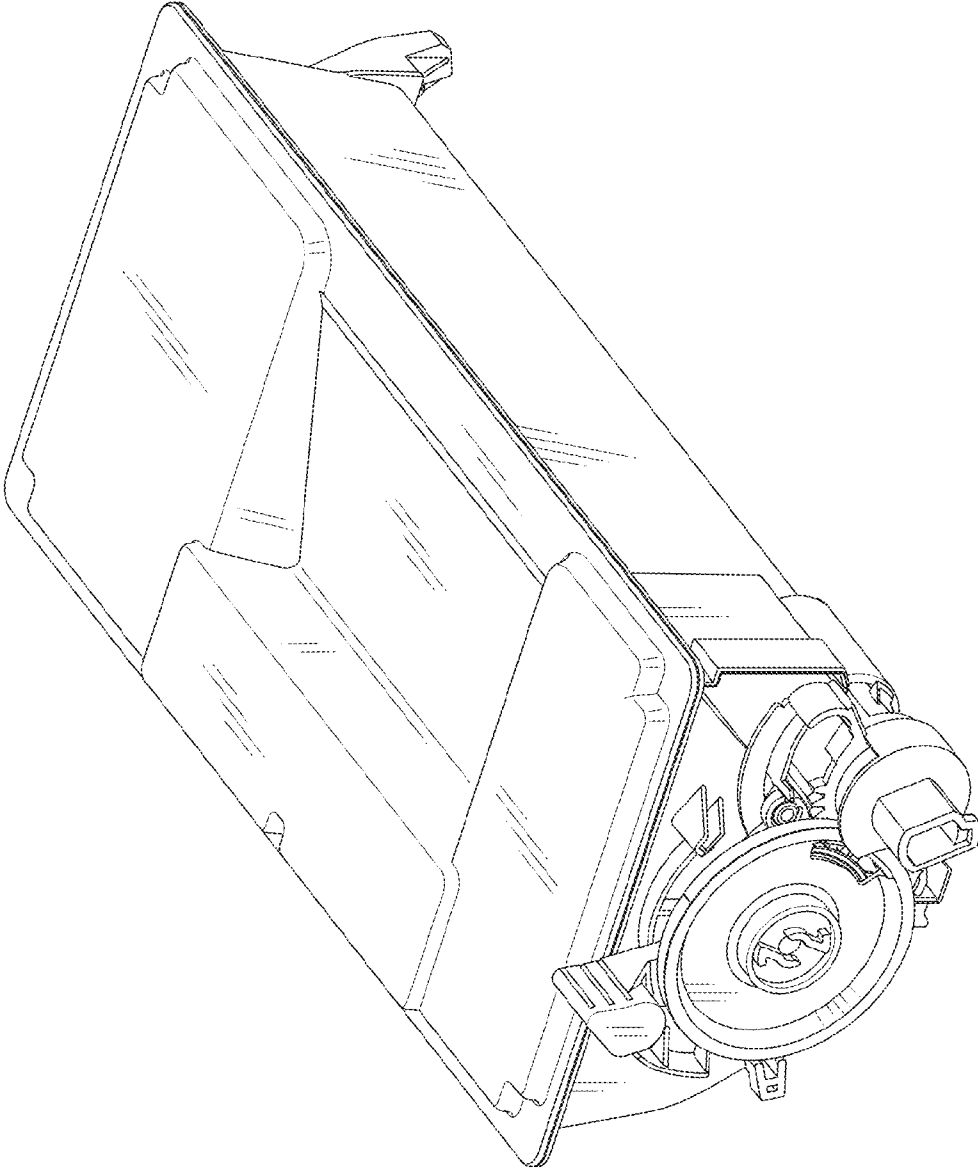


Fig. 2

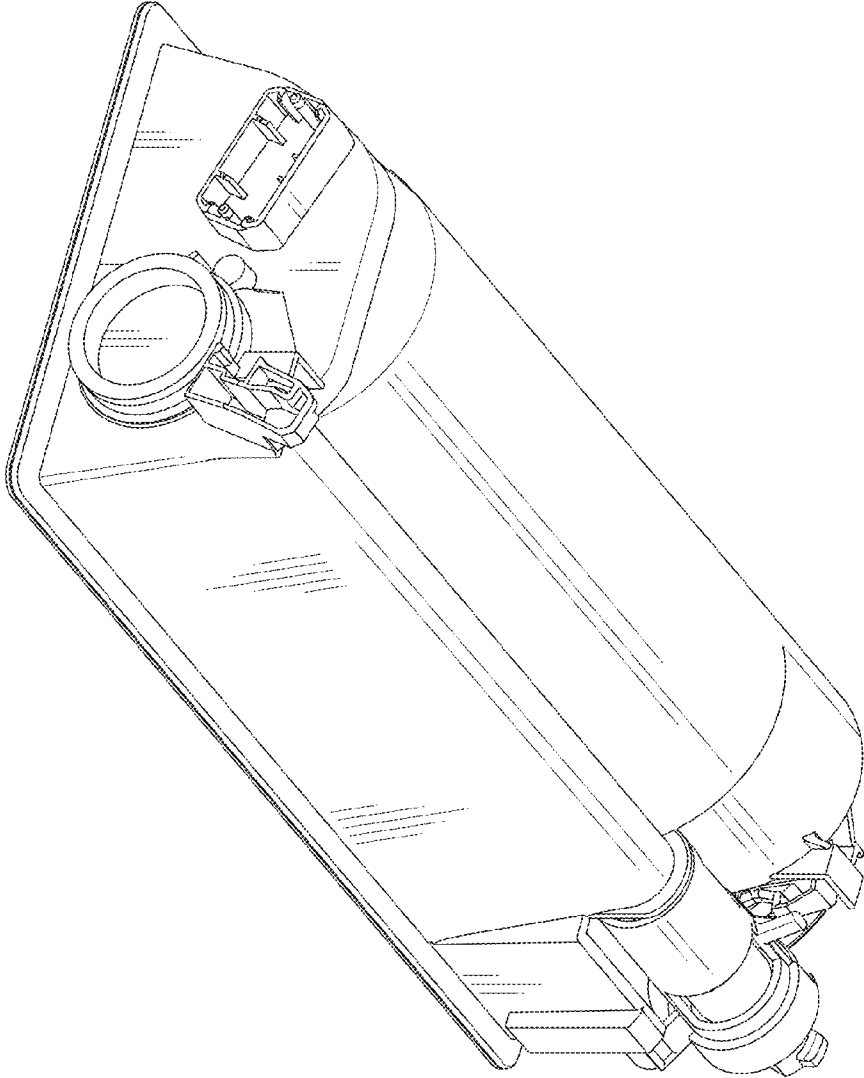


Fig. 3

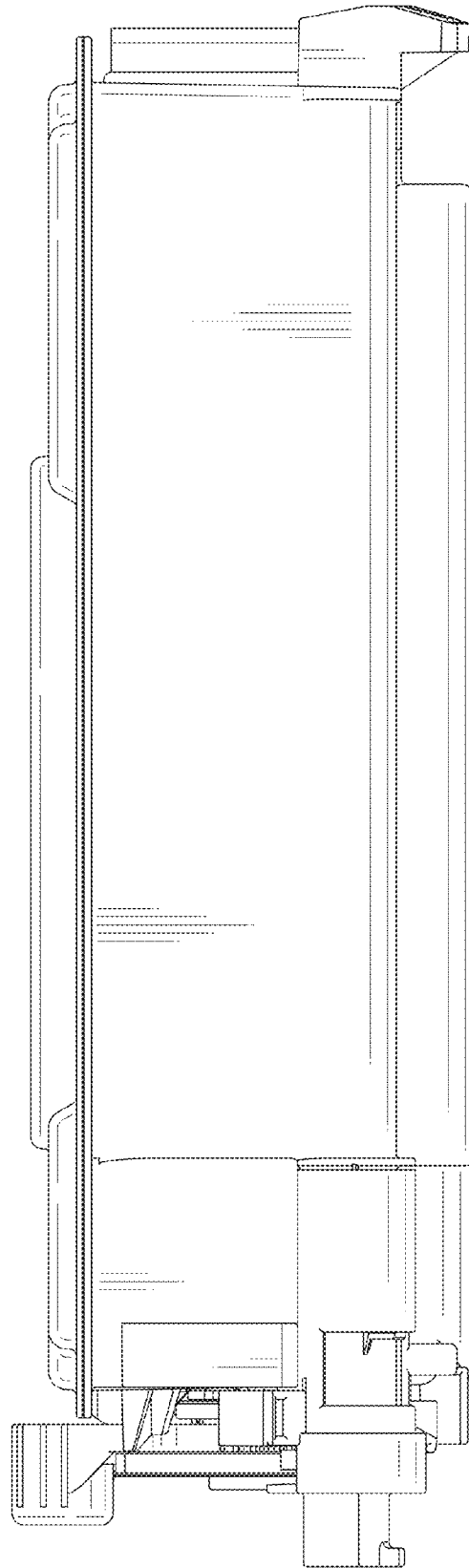


Fig. 4

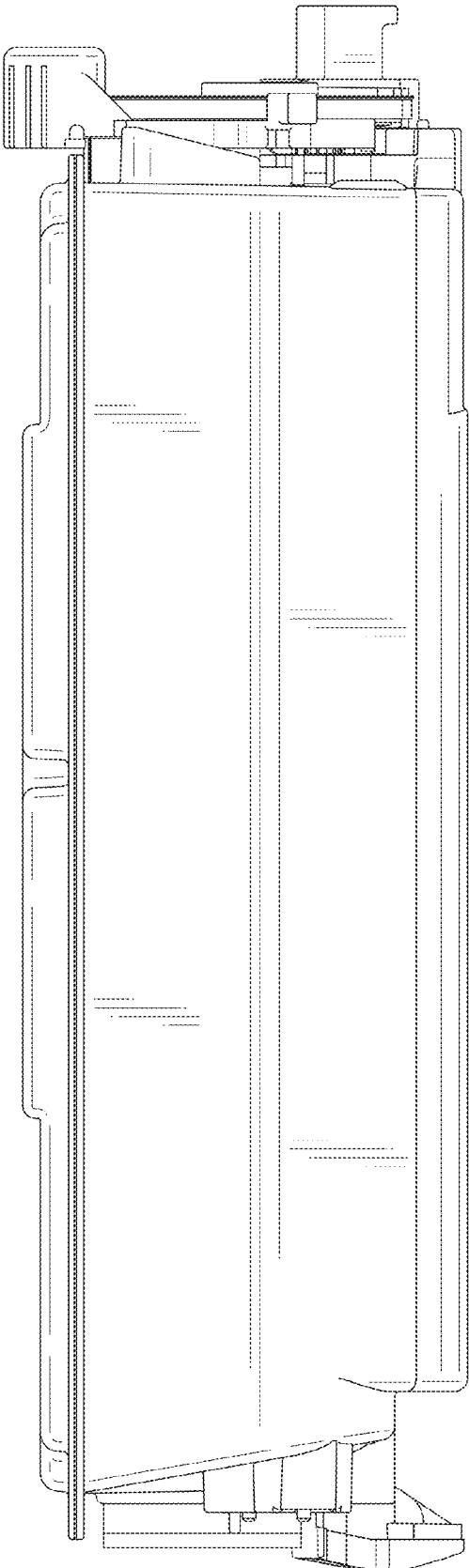


Fig. 6

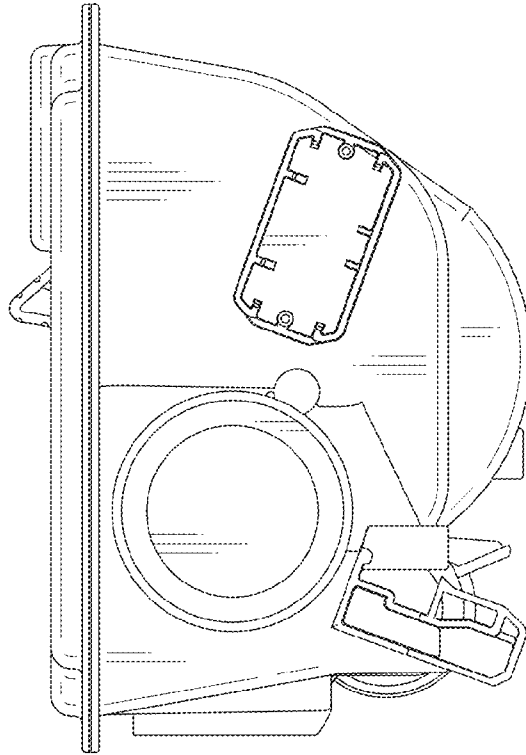


Fig. 5

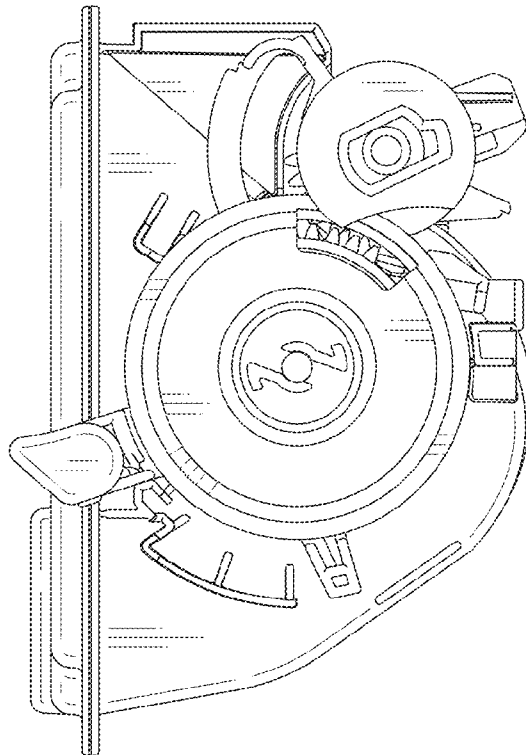


Fig. 7

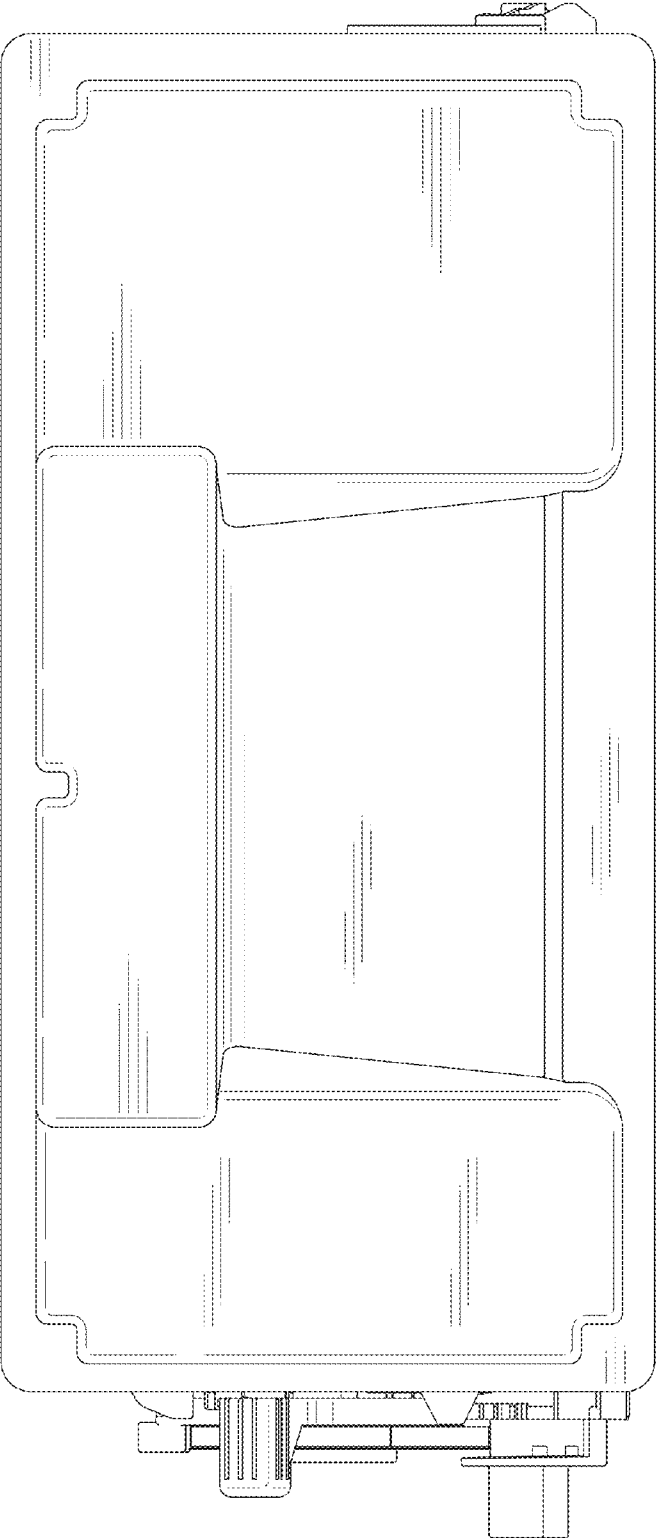


Fig. 8

