



- (51) International Patent Classification:  
*H01R 25/14* (2006.01)
- (21) International Application Number:  
PCT/IB2013/059661
- (22) International Filing Date:  
25 October 2013 (25.10.2013)
- (25) Filing Language: English
- (26) Publication Language: English
- (30) Priority Data:  
61/724,373 9 November 2012 (09.11.2012) US
- (71) Applicant (for all designated States except DE):  
**KONINKLIJKE PHILIPS N.V.** [NL/NL]; High Tech Campus 5, NL-5656 AE Eindhoven (NL).
- (71) Applicant (for DE only): **PHILIPS DEUTSCHLAND GMBH** [DE/DE]; Lübeckertordamm 5, 20099 Hamburg (DE).
- (72) Inventors: **WENDT, Matthias**; c/o High Tech Campus, Building 5, NL-5656 AE Eindhoven (NL). **RADER-MACHER, Harald Josef Günther**; c/o High Tech Campus, Building 5, NL-5656 AE Eindhoven (NL).
- (74) Agents: **VAN EEUWIJK, Alexander Henricus Walterus** et al.; High Tech Campus Building 5, NL-5656 AE Eindhoven (NL).

(81) Designated States (unless otherwise indicated, for every kind of national protection available): AE, AG, AL, AM, AO, AT, AU, AZ, BA, BB, BG, BH, BN, BR, BW, BY, BZ, CA, CH, CL, CN, CO, CR, CU, CZ, DE, DK, DM, DO, DZ, EC, EE, EG, ES, FI, GB, GD, GE, GH, GM, GT, HN, HR, HU, ID, IL, IN, IR, IS, JP, KE, KG, KN, KP, KR, KZ, LA, LC, LK, LR, LS, LT, LU, LY, MA, MD, ME, MG, MK, MN, MW, MX, MY, MZ, NA, NG, NI, NO, NZ, OM, PA, PE, PG, PH, PL, PT, QA, RO, RS, RU, RW, SA, SC, SD, SE, SG, SK, SL, SM, ST, SV, SY, TH, TJ, TM, TN, TR, TT, TZ, UA, UG, US, UZ, VC, VN, ZA, ZM, ZW.

(84) Designated States (unless otherwise indicated, for every kind of regional protection available): ARIPO (BW, GH, GM, KE, LR, LS, MW, MZ, NA, RW, SD, SL, SZ, TZ, UG, ZM, ZW), Eurasian (AM, AZ, BY, KG, KZ, RU, TJ, TM), European (AL, AT, BE, BG, CH, CY, CZ, DE, DK, EE, ES, FI, FR, GB, GR, HR, HU, IE, IS, IT, LT, LU, LV, MC, MK, MT, NL, NO, PL, PT, RO, RS, SE, SI, SK, SM, TR), OAPI (BF, BJ, CF, CG, CI, CM, GA, GN, GQ, GW, KM, ML, MR, NE, SN, TD, TG).

**Published:**

- with international search report (Art. 21(3))
- before the expiration of the time limit for amending the claims and to be republished in the event of receipt of amendments (Rule 48.2(h))

[Continued on next page]

(54) Title: POWER DISTRIBUTION TRACK SYSTEM

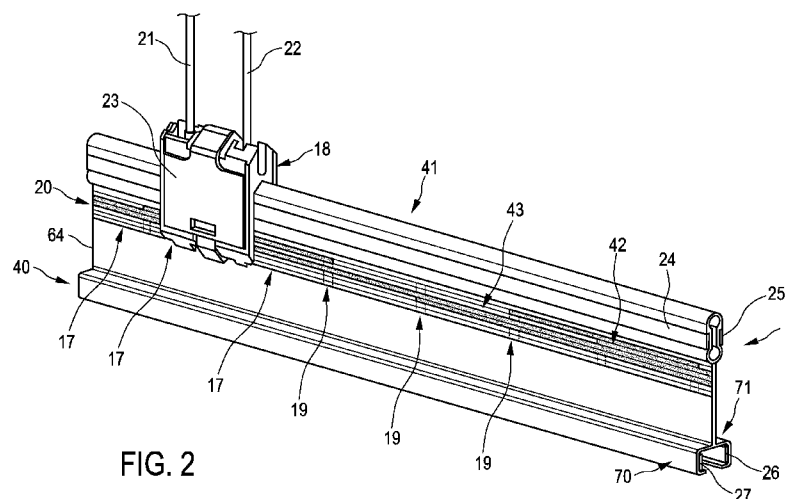


FIG. 2

(57) Abstract: The invention relates to a power distribution track system, in particular, to a DC power distribution track system, comprising a track (3) with position markers (17) representing positional information being indicative of the respective longitudinal position. The system further comprises an electrical device like a luminaire connected to the track (3) at a longitudinal position, wherein the electrical device comprises a reading unit for reading out the positional information represented by the position marker at the longitudinal position at which the electrical device is connected. Since the reading unit reads out the positional information at the respective longitudinal position represented by the respective position marker, positional information can be provided, which can be used for automatically determining the longitudinal position of the electrical device, especially without requiring an installer installing the electrical device to determine the position of the electrical device.



**(88) Date of publication of the international search report:**  
24 July 2014

# INTERNATIONAL SEARCH REPORT

International application No <b>PCT/IB2013/059661</b>
--

<b>A. CLASSIFICATION OF SUBJECT MATTER</b> INV. H01R25/14 ADD.		
According to International Patent Classification (IPC) or to both national classification and IPC		
<b>B. FIELDS SEARCHED</b> Minimum documentation searched (classification system followed by classification symbols) H01R H02J H05B		
Documentation searched other than minimum documentation to the extent that such documents are included in the fields searched		
Electronic data base consulted during the international search (name of data base and, where practicable, search terms used) EPO-Internal, WPI Data		
<b>C. DOCUMENTS CONSIDERED TO BE RELEVANT</b>		
Category*	Citation of document, with indication, where appropriate, of the relevant passages	Relevant to claim No.
X	US 2009/236909 A1 (ALDAG PHILIP R [US] ET AL) 24 September 2009 (2009-09-24)	1,2,6-15
A	paragraphs [0082] - [0085]; figures 1,4,5-8,11	3-5
X	EP 1 330 074 A1 (HEWLETT PACKARD CO [US]) 23 July 2003 (2003-07-23) the whole document	1,2,7-15
A	US 7 997 910 B2 (MYERS JERE W [US] ET AL) 16 August 2011 (2011-08-16) the whole document	1
<input type="checkbox"/> Further documents are listed in the continuation of Box C. <span style="margin-left: 100px;"><input checked="" type="checkbox"/> See patent family annex.</span>		
* Special categories of cited documents :		
"A" document defining the general state of the art which is not considered to be of particular relevance	"T" later document published after the international filing date or priority date and not in conflict with the application but cited to understand the principle or theory underlying the invention	
"E" earlier application or patent but published on or after the international filing date	"X" document of particular relevance; the claimed invention cannot be considered novel or cannot be considered to involve an inventive step when the document is taken alone	
"L" document which may throw doubts on priority claim(s) or which is cited to establish the publication date of another citation or other special reason (as specified)	"Y" document of particular relevance; the claimed invention cannot be considered to involve an inventive step when the document is combined with one or more other such documents, such combination being obvious to a person skilled in the art	
"O" document referring to an oral disclosure, use, exhibition or other means	"&" document member of the same patent family	
"P" document published prior to the international filing date but later than the priority date claimed		
Date of the actual completion of the international search	Date of mailing of the international search report	
19 May 2014	28/05/2014	
Name and mailing address of the ISA/ European Patent Office, P.B. 5818 Patentlaan 2 NL - 2280 HV Rijswijk Tel. (+31-70) 340-2040, Fax: (+31-70) 340-3016	Authorized officer  Tille, Daniel	

# INTERNATIONAL SEARCH REPORT

Information on patent family members

International application No PCT/IB2013/059661
---

Patent document cited in search report		Publication date	Patent family member(s)	Publication date
US 2009236909	A1	24-09-2009	DE 112009000697 T5	10-02-2011
			US 2009236909 A1	24-09-2009
			US 2011237097 A1	29-09-2011
			US 2011244715 A1	06-10-2011
			WO 2009117500 A2	24-09-2009
-----				
EP 1330074	A1	23-07-2003	DE 60208325 T2	03-08-2006
			EP 1330074 A1	23-07-2003
			US 2003169156 A1	11-09-2003
-----				
US 7997910	B2	16-08-2011	US 2010015854 A1	21-01-2010
			US 2011300726 A1	08-12-2011
			WO 2009128909 A1	22-10-2009
-----				