



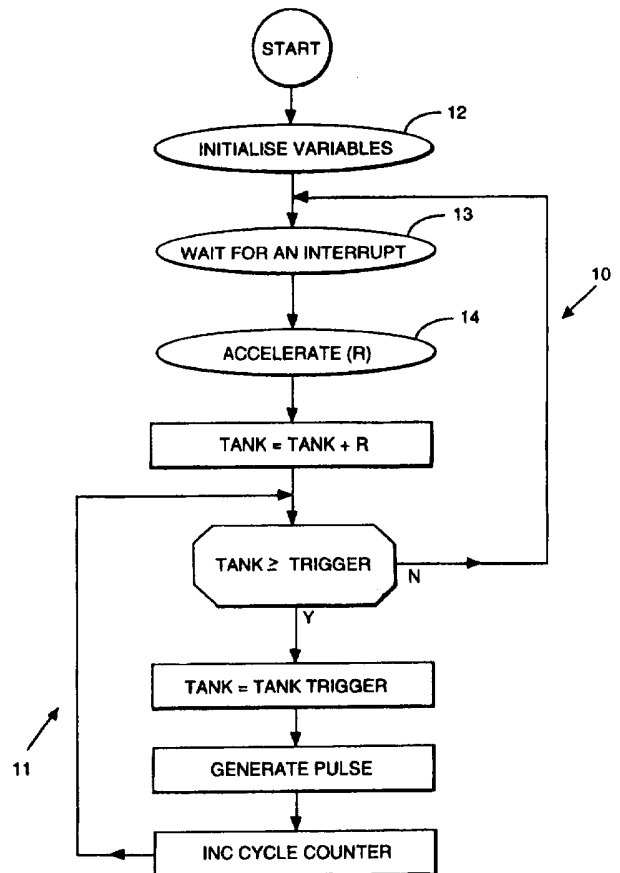
INTERNATIONAL APPLICATION PUBLISHED UNDER THE PATENT COOPERATION TREATY (PCT)

<p>(51) International Patent Classification ⁶ : H03B 28/00</p>	<p>A1</p>	<p>(11) International Publication Number: WO 97/24797 (43) International Publication Date: 10 July 1997 (10.07.97)</p>
<p>(21) International Application Number: PCT/GB96/03240 (22) International Filing Date: 27 December 1996 (27.12.96) (30) Priority Data: 9526717.5 29 December 1995 (29.12.95) GB (71)(72) Applicants and Inventors: SHINE, Thomas, Adam [GB/US]; 190 Beacon Street, Boston, MA 02116 (US). SHINE, Ian, Basil [GB/US]; 444 Central Park West, New York, NY 10025 (US). (74) Agent: GILL JENNINGS & EVERY; Broadgate House, 7 Eldon Street, London EC2M 7LH (GB).</p>		<p>(81) Designated States: AL, AM, AT, AU, AZ, BA, BB, BG, BR, BY, CA, CH, CN, CU, CZ, DE, DK, EE, ES, FI, GB, GE, HU, IL, IS, JP, KE, KG, KP, KR, KZ, LC, LK, LR, LS, LT, LU, LV, MD, MG, MK, MN, MW, MX, NO, NZ, PL, PT, RO, RU, SD, SE, SG, SI, SK, TJ, TM, TR, TT, UA, UG, US, UZ, VN, ARIPO patent (KE, LS, MW, SD, SZ, UG), Eurasian patent (AM, AZ, BY, KG, KZ, MD, RU, TJ, TM), European patent (AT, BE, CH, DE, DK, ES, FI, FR, GB, GR, IE, IT, LU, MC, NL, PT, SE), OAPI patent (BF, BJ, CF, CG, CI, CM, GA, GN, ML, MR, NE, SN, TD, TG).</p> <p>Published <i>With international search report. Before the expiration of the time limit for amending the claims and to be republished in the event of the receipt of amendments.</i></p>

(54) Title: DIGITAL FREQUENCY GENERATOR

(57) Abstract

In a method of generating a clock signal having a desired frequency, a pulse is generated each time a stored accumulator value (tank) is found to be greater than or equal to a stored (trigger) value. In a first loop (10), the stored accumulator value (tank) is iteratively incremented by a first iterative value (r) until the stored accumulator value is greater than or equal to the stored trigger value and subsequently in a second loop (11) the stored accumulator value (tank) is decremented by a second iterative value until the stored accumulator value is less than the stored trigger value. During each iteration of the first loop (10), a current frequency of the clock signal is compared to a desired frequency value and if the two values are different, the first iterative value (r) is corrected at a predetermined rate (accRate) over one or more subsequent iterations until the frequency of the generator clock signal corresponds to the detected value of the desired frequency. In a preferred example, the number of iterations needed to change the first iterative value (r) is determined by a stored accumulator value which is added to an accelerator-accumulator (AccTank) for each iteration that the first iterative value and the desired frequency are not exactly equal.



FOR THE PURPOSES OF INFORMATION ONLY

Codes used to identify States party to the PCT on the front pages of pamphlets publishing international applications under the PCT.

AM	Armenia	GB	United Kingdom	MW	Malawi
AT	Austria	GE	Georgia	MX	Mexico
AU	Australia	GN	Guinea	NE	Niger
BB	Barbados	GR	Greece	NL	Netherlands
BE	Belgium	HU	Hungary	NO	Norway
BF	Burkina Faso	IE	Ireland	NZ	New Zealand
BG	Bulgaria	IT	Italy	PL	Poland
BJ	Benin	JP	Japan	PT	Portugal
BR	Brazil	KE	Kenya	RO	Romania
BY	Belarus	KG	Kyrgystan	RU	Russian Federation
CA	Canada	KP	Democratic People's Republic of Korea	SD	Sudan
CF	Central African Republic	KR	Republic of Korea	SE	Sweden
CG	Congo	KZ	Kazakhstan	SG	Singapore
CH	Switzerland	LI	Liechtenstein	SI	Slovenia
CI	Côte d'Ivoire	LK	Sri Lanka	SK	Slovakia
CM	Cameroon	LR	Liberia	SN	Senegal
CN	China	LT	Lithuania	SZ	Swaziland
CS	Czechoslovakia	LU	Luxembourg	TD	Chad
CZ	Czech Republic	LV	Latvia	TG	Togo
DE	Germany	MC	Monaco	TJ	Tajikistan
DK	Denmark	MD	Republic of Moldova	TT	Trinidad and Tobago
EE	Estonia	MG	Madagascar	UA	Ukraine
ES	Spain	ML	Mali	UG	Uganda
FI	Finland	MN	Mongolia	US	United States of America
FR	France	MR	Mauritania	UZ	Uzbekistan
GA	Gabon			VN	Viet Nam

DIGITAL FREQUENCY GENERATORTechnical Field

The present invention relates to a method and apparatus for generating a clock signal. In this application, the term "clock signal" is defined as a series of periodic signals which may be used to clock any particular electronic circuit or device at a fixed or variable frequency. In particular, the clock signal may be used in the generation of any waveform, potentially replacing RC and RL circuits, bistables, sweeping frequency generators, error correcting amplifiers and phase locked loops.

15 Background Art

The generation of a known frequency is common in many commercial applications, including radio equipment, mobile 'phones, two way radios, television and radio frequency tuners. The need for digital control in such tuners has brought about dedicated phase locked loop integrated circuits which are expensive. These circuits have limitations as they have a pre-determined discrete number of frequencies and pre-determined range of frequencies which they can generate. Such an arrangement is commonly seen when tuning a digital car radio where the FM frequency changes in steps of typically 0.1 MHz over a 20 MHz range.

Frequency control is also used in motor controllers, particularly in stepper and DC motor applications where a clock signal controls the speed of the motor. Varying the frequency of the clock signal controls the speed of the rotor. There are many established methods of translating the frequency of a clock signal to drive many different types of electrical motors and many commercially available integrated circuits which perform such translation. Conventional stepper controllers can typically only produce around 250 different predetermined stepping rates so that

when the stepping rate needs to be changed it can only be done in a stepwise fashion. Accordingly, it is impossible to obtain a smooth change from one stepping rate to another, which is highly desirable in some applications.

5

Disclosure of Invention

According to a first aspect of the present invention, a method of generating a clock signal having a desired frequency comprises the step of generating a pulse each time a stored accumulator value is found to be greater than or equal to a stored trigger value, wherein in a first loop the stored accumulator value is iteratively incremented by a first iterative value until the stored accumulator value is greater than or equal to the stored trigger value and subsequently in a second loop the stored accumulator value is decremented by a second iterative value until the stored accumulator value is less than the stored trigger value and, wherein

during each iteration of the first loop, a current frequency of the clock signal is compared to a desired frequency value and if the two values are different, the first iterative value is corrected at a predetermined rate over one or more subsequent iterations until the frequency of the generated clock signal corresponds to the detected value of the desired frequency.

Preferably, under conditions where the generated clock signal frequency equals the desired frequency, the first iterative value is set by the value of a detected input corresponding to the desired frequency of the clock signal. An iterative increment equal to the detected value of the desired frequency in Hertz is added to the stored accumulator value during each iteration of the first iterative loop. When the desired frequency of the clock signal changes, the first iterative value is corrected at a predetermined rate over one or more subsequent iterations until the frequency of the generated clock signal, and

35

consequently the first iterative value, corresponds to the detected value of the desired frequency. Accordingly, the frequency of the clock signal is capable of accelerating between two frequencies at a predetermined rate without missing any intermediate frequencies. In the context of a stepper motor, this means that the stepping rate can be accelerated in a manner which approximates very closely to a continuous function.

10 Preferably, the second iterative value is set by the stored trigger value, whereby the stored trigger value is at least that in Hertz of a pre-determined interrupt frequency at which the first and second iterative loops are driven. More preferably, both the stored trigger value and interrupt frequency are a value 2^n , where n is a positive integer. This simplifies the comparison between the stored trigger value and the stored accumulator value as the binary value of the stored trigger value is represented by a single bit in a register being set and exceeding the trigger value is also represented by a single bit being set. In this case, an iterative decrement equal to the stored trigger value is subtracted from the stored accumulator value for each iteration of the second iterative loop or if the stored trigger value is 2^n , then a single bit is cleared in a register. As an alternative, execution of the second loop can be reduced to a single iteration by precalculating the number of pulses that need to be produced. For instance, if the desired frequency is much larger than the stored trigger value then a pre-calculation can be carried out automatically to determine how many pulses need to be produced for each iteration of the first loop.

35 Preferably, the number of iterations needed to change the first iterative value is determined by a stored accelerator value which is added to an accelerator-accumulator for each iteration that the first iterative

value and the desired frequency are not exactly equal. In such an iteration, each time the accelerator-accumulator is greater than or equal to the stored trigger value, the first iterative value is incremented (or decremented for deceleration) by one and the accelerator-accumulator is reduced by the value of the stored trigger value. Such an arrangement enables the acceleration rate to be controlled accurately in real units (Hertz).

Preferably, the stored trigger value and stored accelerator value are variable. In particular, the stored trigger value may be arranged to be sufficiently large in comparison to an expected desired frequency so that frequencies may be generated which settle very quickly typically within 10ms. The stored accelerator value may be selected to control the rate at which the first iterative value is corrected when the desired frequency is changed.

According to a second aspect of the present invention, an apparatus for generating a clock signal comprises:

means for detecting an input corresponding to the value of a desired frequency;

means for generating a pulse each time a stored accumulator value is found to be greater than or equal to a stored trigger value;

means for controlling a first loop in which the stored accumulator value is incremented by a first iterative value corresponding to the value of the desired frequency until the stored accumulator value is detected to be greater than or equal to the stored trigger value;

means for controlling a second loop in which the stored accumulator value is decremented by a second iterative value until the stored accumulator value is detected to be less than the stored trigger value; and,

means for storing an accelerator value and means for storing an accelerator accumulator value which are used to control a rate of change of the first iterative value when

the means for detecting the input value of the desired frequency detects that the value of the desired frequency has changed.

5 Preferably, the apparatus further comprises a memory for storing the value of the desired frequency, the current frequency, the trigger value, the accumulator value, and the accelerator value. Preferably, the apparatus also
10 comprises means for generating an interrupt signal which controls the speed at which the first and second loops are executed and processing means for carrying out the functions of comparing the value of the stored accumulator value with the stored trigger value, incrementing or
15 decrementing the stored accumulator value and changing the first iterative value at a predetermined rate when the desired frequency changes.

Preferably, the apparatus is implemented on an integrated circuit which comprises a pre-programmed
20 microprocessor.

In one preferred implementation, the clock signal generated by the method and apparatus of the first and second aspects, respectively, of the present invention is
25 used to control a stepper motor to provide continuous acceleration between two stepping rates according to a predetermined velocity profile.

In its simplest form, the present invention can be
30 used to generate a repeated series of pulses at any particular fixed or continuously varying frequency. When coupled with a look-up table or any algorithm which generates a waveform, the method of the invention may be used to generate any desired waveform at any desired
35 frequency. Uses of the present invention include motion control, phase locked loop replacement, harmonic tuning of radio frequencies, frequency generators and any other

device which depends upon a fixed or varying frequency. The invention is particularly well suited to governing motor speeds and in particular for controlling stepper motors, including full step, half step and micro-steppers. Similarly, the speed of a DC motor can be regulated with this method by providing the controlling frequency which governs the rotational speed of the armature. As the present invention accurately produces any fixed or changing frequency, it can be used to accelerate and decelerate motors linearly and can be used to perform a series of such motions.

The present invention is very efficient i.e. fast and compact, and can be implemented very cheaply on commercially available integrated circuits and embedded controllers.

Brief Description of Drawings

The present invention will now be described in detail with reference to the accompanying drawings in which:

Figure 1 shows a micro-controller embodying the present invention;

Figure 2 is a flow diagram illustrating the method of the present invention;

Figures 3 to 5 show in an expanded form individual steps in the method of the present invention shown in Figure 2;

Figure 6 shows a fluid delivery apparatus which includes a stepper motor used to drive a syringe piston;

Figure 7a shows a graph of the velocity of fluids discharged from two separate syringes, each syringe driven by the apparatus shown in Figure 6 and controlled by the frequency generator of the present invention; and,

Figure 7b shows a graph of syringe piston displacement for the two separate syringes driven by the apparatus shown in Figure 6.

Detailed Description

Figure 1 shows a typical dedicated pre-programmed microprocessor 1 such as a Motorola 6805 K-series micro-controller. The microprocessor 1 comprises a number of registers 2 for storing a number of variables, some of which are pre-set when the processor is switched on using the power-on reset 3. The stored variables include a stored trigger value trigger, a stored accumulator value tank, an increment value r, an accelerator value accRate, a desired frequency F_d , an accelerator accumulator AccTank and a detected pulse count.

The processor 1 internally generates an interrupt signal using an interrupt generator 4 which is driven by an external oscillator 5, which will be described in detail below.

A pre-programmed unit 6 controls the two loops, described in detail below, which are used to operate a square wave pulse generator 7. In this example, the pulse generator 7 is used to drive a waveform generator 8.

A user interface 9 is provided to control the processor 1 and in particular, change the values of the stored variables in the register 2. Furthermore, a feedback loop may be provided to monitor the output of the pulse generator 7.

Figure 2 shows a flow diagram of the process carried out by the processor 1 when generating a clock signal having a desired frequency.

When the pre-programmed processor 1 is first switched on, the programme initialises the variables trigger, tank, AccTank, accRate and r.

Thereafter, in a first loop 10, each time an interrupt signal is generated by the interrupt generator 4, the processor 1 checks to see if the user has entered a desired frequency and if so, stores this value as the desired frequency. In this example, the processor 1 is pre-programmed to initialise the variable r, termed the iterative increment, as zero and so this iterative increment is increased over a number of iterations in an acceleration routine which is described in detail below with respect to Figure 5 of the drawings until the iterative increment equals the detected desired frequency. As an alternative, upon initialisation, the processor 1 can instead wait until a desired frequency is detected and there after preset the iterative increment r to equal the desired frequency, so that no initial acceleration of the iterative increment r is required.

The processor 1 subsequently increases the tank value by a value equal to iterative increment r. The processor then compares the tank value and trigger value and if the tank value is found to be greater than or equal to the trigger value then in a second loop 11, the processor decrements the present value of the tank value by the value of the trigger value and a clock pulse is generated. The pulse counter is incremented by 1 and the comparison of the trigger value and tank value is made again. In this example, if necessary, the second loop 11 is repeated until the tank value is found to be less than the trigger value. Once the tank value is found to be less than the trigger value, the first loop 10 starts again, whereby the tank value is iteratively incremented over one or more cycles of the first loop 10 until the conditioned that tank is greater than or equal to trigger is again satisfied.

Turning to each box of the flow diagram in Figure 2 in more detail, the "initialise variables" box 12 is shown in more detail in Figure 3. In this example, upon

initialisation, the processor 1 sets the accelerator value accRate to be 1 Hz s^{-2} , the iterative increment value r to be 100 Hz, the tank value and AccTank value to zero and the value trigger to the frequency of the interrupt signal.

5

The operation of the "wait for an interrupt" box 13 is illustrated in the flow diagram of Figure 4. The entire system is operated at the speed of the interrupt signal which is driven by the external oscillator 5. The system is maintained between interrupts and it is during this period that the user can input signals via the user interface 9 to change variables. The frequency of the interrupt signal can be preset to any value including that of the oscillator 5 enabling frequency synthesis equal to that of the oscillator 5 as every iteration can be executed simultaneously, or effectively so, through the use of pipelines or equivalent standard techniques.

Figure 5 shows the operation of the "accelerate (r)" box 14. When processor 1 detects that the stored value of the desired frequency is different to the current iterative increment value of r of the first loop 10, the accelerator value accRate is added to an accelerator-accumulator AccTank. AccTank is subsequently compared to the trigger value and if it is greater than or equal to the trigger, AccTank is decremented by the value of trigger and r is incremented (or decremented for deceleration) by one. During subsequent cycles of the first loop these steps are repeated until r equals the desired frequency. In this manner, the process can accelerate from one frequency to another at a precisely controlled rate set by the accelerator value accRate.

In essence, the present invention depends upon an input frequency, used typically as an interrupt, and three variables, namely, trigger, r and tank. The variable trigger is set to the interrupt frequency in Hertz and is

usually never changed, the value r is set to the desired frequency in Hertz which can be altered at any time and tank is an accumulator value. Each time there is an interrupt the increment value r is adjusted if the desired
5 frequency is not yet achieved, tank is incremented by the value of r and tank is compared to trigger. If tank is greater than or equal to trigger a pulse is generated and additional action may be taken such as taking a step on the
10 stepper motor, altering the waveform of a pulse width modulator or altering some other value or physical setting. Furthermore, internal registers 2 can be used to maintain cycle counts, step counts, current frequency, actual frequency, and flags indicating if the frequency is changing and other such information.

15

Each time tank is found to be greater than or equal to trigger, tank is assigned the value of tank-trigger, which is always positive or zero and a pulse is produced. Likewise, as the value of tank is never cleared, only
20 decreased by trigger, tank always maintains a remainder and will minimise the actual error of frequency generated to less than one period of the interrupt frequency.

The error of the frequency generated is non-
25 accumulating. If the desired frequency is less than or equal to the interrupt frequency then the error is never more than 1 interrupt clock period. If the desired frequency is greater than the interrupt clock frequency, the process is said to be saturated and bunches pulses
30 before the next interrupt so as to maintain the correct number of pulses each interrupt. While the average frequency will be maintained, there may be systems where such a technique is unacceptable. Other techniques, such as producing two or more equally spaced pulses each time a
35 system generates a pulse, hardware frequency doublers, or hardware generated delays, may be used in conjunction with this method. For example, the second loop can be reduced

to a single iterative step for cases where the desired frequency exceeds the trigger value by precalculating the number of pulses required following each iteration of the first loop. However, for most systems these techniques are not needed as in practice it is easy to choose interrupt clock frequencies which are higher than the maximum frequency desired.

In applications where the interrupts may themselves be interrupted or entirely missed, the process will maintain a correct frequency provided that the accumulator value is incremented by the iterative increment for each interrupt that is missed or abbreviated. When the system has time to completely service the interrupt, pulse bunching corrects any temporary quiescent errors. The number of missed interrupts can be recorded separately, can be calculated from a comparison with a real time clock or the entire process can be dependent upon comparison with a real time clock instead of an interrupt.

20

When this system is used with stepper motors, and particularly with micro-steppers, saturation has no measurable effect on the motor. This is because pulse bunching occurs at frequencies which are much higher than motors can respond to. Typically, a stepper motor rotor cannot respond to a change in coil voltage in less than 20 milliseconds due to the rotors inertia and the reluctance of the copper windings. As in practice even on relatively slow, low cost integrated circuits saturation only occurs at frequencies above approximately 10KHz, the effect on the motor is invisible. Moreover, when used with micro-steppers or look-up tables, instead of bunching pulses together and rapidly sending a sequential set of values to a motor coil, only the last value in the set needs to be sent, as the intermediate values have no effect on the motor. This skipping technique allows for very high frequencies to control a micro-stepper, without loss of

35

position step count or accuracy. The transition from normal operation to saturation is automatically performed by the process whenever the frequency exceeds a system dependent limit. The transition is smooth as pulse
5 bunching is used only to maintain the correct average frequency and the uses of pulse bunching is always minimised.

One advantage of the present invention is that the
10 variables can be altered while the system is running. By varying the value r either directly or indirectly through the accelerate loop, the method of the present invention will accelerate, maintain and decelerate to any frequency up to the implementation dependent maximum and such
15 information as position or frequency can be reported in real time. The rate of acceleration and deceleration can be controlled by altering the value accRate which in turn may alter r at each interrupt. Further, different rates for acceleration and deceleration can be achieved through
20 the use of separate variables.

Due to the very simple and compact nature of the process, and its dependence only on a comparison feature and either addition and subtraction or with a suitable
25 interrupt frequency, a bitset and bitclear feature, the present invention can be implemented by the cheapest and least computationally powerful micro-controllers resulting in very low cost devices. Low cost embedded controllers employing this method to control a stepper motor at rates
30 up to 15,625 steps per second can be achieved without skipping any frequencies and can be configured to produce rates up to 31,000 steps per second while skipping every other frequency. When used with more powerful processors or programmable logic devices, the maximum error-free
35 frequency increases up to a limit of the device's oscillator frequency. If such a process is made into dedicated silicon, a non-skipping, non-saturation frequency

of 15MHz can be achieved and frequencies as high as 300 MHz are currently possible. The limitation upon frequency is entirely silicon based as every iteration can be executed concurrently in a single clock cycle. This frequency maximum is continually increasing and by using more exotic materials, such as GaAs, this method could currently generate frequencies in excess of 1GHz. When this method is used with a micro-controller all that is typically needed to control a stepper-motor is a source clock and power amplifier as the signals needed for full, half or micro-stepping can be generated internally with existing micro-controllers.

The process can produce fractional frequencies by altering the value of trigger or by performing an equivalent operation. For example, frequencies with a 0.1Hz resolution are produced if trigger is set to ten times the interrupt frequency instead of the interrupt frequency and r is set to ten times the desired rate. Similarly, this routine can be used with floating-point numbers instead of integers, to produce fractional frequencies.

This method can also be used as part of a closed loop system, where a position-encoder mounted on the motor provides information about the motors position. Such a system is used to verify that the actual position is in accordance with the internally calculated position, and minimizes any difference.

One major distinguishing feature of the present invention is that in contrast to existing frequency generators, the clock signal frequencies generated in the present invention are independent of the input clock frequency. Further, the method has the capability to accurately generate every frequency from 0 to a system

dependent maximum and likewise generate a linear acceleration rate from 0 to a system dependent maximum.

5 Tables 1 to 9 illustrate how the method accurately produces frequencies with different interrupt frequency values and settles more quickly at higher interrupt frequencies. Furthermore, Table 9 shows how the method accelerates from one frequency to another.

10 An example of an implementation of the present invention is shown in Figure 6. A fluid delivery apparatus 15 comprises a stepper motor 16 controlled using the frequency generator of the present invention (not shown). The stepper motor 16 rotates a lead-screw 17 via a coupling 15 18 to drive a member 19 up and down a vertical cylindrical post 20. One arm 21 of the member 19 is connected to a piston 22 of a syringe 23 which has an inlet/outlet 24 at its upper end.

20 In use, as the syringe piston 22 is returned to its lower position (not shown) a diluent is allowed to fill the syringe 23. Operating the motor 16 in the opposite direction at a desired stepping rate drives the lead-screw assembly and returns the syringe piston 22 upwardly, 25 discharging the fluid through the outlet 24 at a controlled velocity.

A digital diluter comprises two such fluid delivery assemblies 15 and the purpose is to mix the contents of the 30 two syringes at a predetermined rate to achieve a change in concentration of the mixture i.e. a concentration gradient. Conventional stepper motor controllers are limited as they can only generate a predetermined discrete number of frequencies over a predetermined range. Accordingly, the 35 velocity of each syringe piston can only be changed in a rather coarse stepwise fashion which only approximates to a linear velocity profile. Each time the velocity of the

syringe piston steps up or down the flow of fluid from the syringe is disturbed thus reducing the accuracy of any measurements made with respect to the mixture.

5 In contrast, the frequency generator of the present invention is capable of accelerating a stepper motor between two stepping rates according to a predetermined velocity profile. Figures 7a and 7b show, respectively, graphs of velocity against time for fluid discharged from
10 two syringes and the relative displacement of the pistons of the two syringes.

In this example, a saline sample is to be mixed with a sample of pure water. As shown in Figure 7a, the stepper
15 motor driving the syringe filled with saline solution accelerates the syringe piston to discharge fluid at a velocity V_1 , whilst the stepper motor driving the syringe filled with pure water accelerates the syringe piston to discharge fluid at a lower velocity V_2 .

20 Once a constant flow rate from each syringe has been established, at time T_1 the stepper controller associated with the saline filled syringe decelerates linearly over a period $T_2 - T_1$ to a velocity V_2 whilst simultaneously, the
25 stepper controller associated with the water filled syringe accelerates linearly to velocity V_1 . During this period, the combined flow rate of the two syringes remains constant. Finally, the two syringes are flushed over the period $T_3 - T_2$.

30 As illustrated by this example, the frequency generator of the present invention can accelerate between any two frequencies in a linear rather than stepwise fashion at a rate determined by the user. In practice, the
35 user pre-programs the system to change frequency after a predetermined period or number of pulses rather than entering a new desired frequency manually. The rate of

change of velocity for a given displacement is determined by the variable accRate (see Figure 5).

5 Table 10 shows an example of how a pre-programmed microprocessor can automatically change a clock signal frequency to achieve the type of velocity profile shown in Figure 7a. In this example, the frequency remains constant for the first 3000 clock pulses at 100Hz whereupon the
10 desired frequency changes to 9 KHz and the rate, \underline{r} , or first iterative increment, accelerates from 100 Hz to 9KHz over a period of around 20 seconds or 42000 pulses.

CLAIMS

1. A method of generating a clock signal having a desired frequency comprising the step of generating a pulse each time a stored accumulator value is found to be greater than or equal to a stored trigger value, wherein in a first loop the stored accumulator value is iteratively incremented by a first iterative value until the stored accumulator value is greater than or equal to the stored trigger value and subsequently in a second loop the stored accumulator value is decremented by a second iterative value until the stored accumulator value is less than the stored trigger value, and wherein during each iteration of the first loop, a current frequency of the clock signal is compared to a desired frequency value and if the two values are different, the first iterative value is corrected at a predetermined rate over one or more subsequent iterations until the frequency of the generated clock signal corresponds to the detected value of the desired frequency.
2. A method according to claim 1, in which under conditions where the generated clock signal frequency equals the desired frequency, the first iterative value is set by the value of a detected input corresponding to the desired frequency of the clock signal.
3. A method according to claim 1 or 2, in which the second iterative value is set by the stored trigger value, whereby the stored trigger value is at least that in Hertz of a pre-determined interrupt frequency at which the first and second iterative loops are driven.
4. A method according to any preceding claim, in which both the stored trigger value and interrupt frequency are a value 2^n , where n is a positive integer.
5. A method according to any preceding claim, in which the number of iterations needed to change the first iterative value is determined by a stored accelerator value which is added to an accelerator-accumulator for

each iteration that the first iterative value and the desired frequency are not exactly equal.

6. A method according to claim 5, in which the stored trigger value and stored accelerator value are variable.

5 7. A method of controlling a stepper motor using a clock signal generated in accordance with the method of any preceding claim to provide continuous acceleration between two stepping rates according to a predetermined velocity profile.

10 8. An apparatus for generating a clock signal comprising: means for detecting an input corresponding to the value of a desired frequency; means for generating a pulse each time a stored accumulator value is found to be greater than or equal to a stored trigger value; means
15 for controlling a first loop in which the stored accumulator value is incremented by a first iterative value corresponding to the value of the desired frequency until the stored accumulator value is detected to be greater than or equal to the stored trigger value; means
20 for controlling a second loop in which the stored accumulator value is decremented by a second iterative value until the stored accumulator value is detected to be less than the stored trigger value; and, means for storing an accelerator value and means for storing an
25 accelerator accumulator value which are used to control a rate of change of the first iterative value when the means for detecting the input value of the desired frequency detects that the value of the desired frequency has changed.

30 9. An apparatus according to claim 8, further comprising a memory for storing the value of the desired frequency, the current frequency, the trigger value, the accumulator value, and the accelerator value.

35 10. An apparatus according to claim 8 or 9, further comprising means for generating an interrupt signal which controls the speed at which the first and second loops are executed and processing means for carrying out the

functions of comparing the value of the stored accumulator value with the stored trigger value, incrementing or decrementing the stored accumulator value and changing the first iterative value at a predetermined rate when the desired frequency changes.

5

11. An apparatus according to any of claims 8 to 10, implemented on an integrated circuit which comprises a preprogrammed microprocessor.

10

12. A drive comprising the combination of a stepper motor and an apparatus according to any of claims 8 to 11, wherein the stepper motor is driven by the clock signal generated by the clock generator apparatus.

15

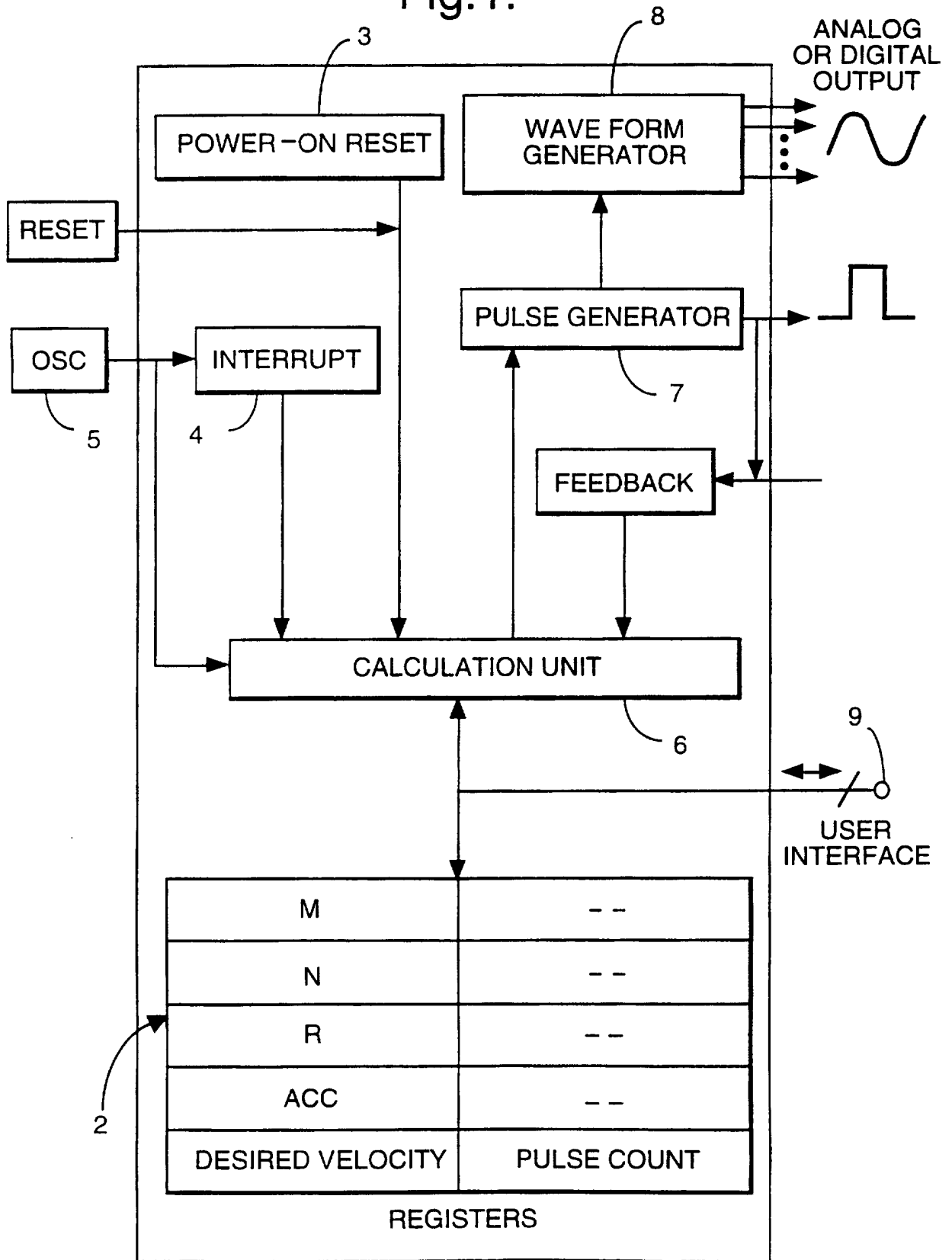
13. A fluid delivery apparatus comprising a plurality of delivery syringes, each delivery syringe comprising a syringe housing defining a tubular passage having a fluid outlet, and a syringe plunger arranged to slide axially within the tubular passage and seal one end of the tubular passage, the fluid delivery apparatus further comprising syringe plunger drive means arranged to drive the syringe plunger along at least part of the length of the tubular passage according to a predetermined velocity profile for the delivery syringe and discharge fluid through the fluid outlet, wherein the predetermined velocity profile of each delivery syringe is such that, in use, a combined flow rate of fluid discharged simultaneously from the outlets of the plurality of delivery syringes is maintained substantially constant over at least a portion of the range of movement of the plurality of plungers, and wherein the syringe plunger drive means comprises a drive according to claim 12.

20

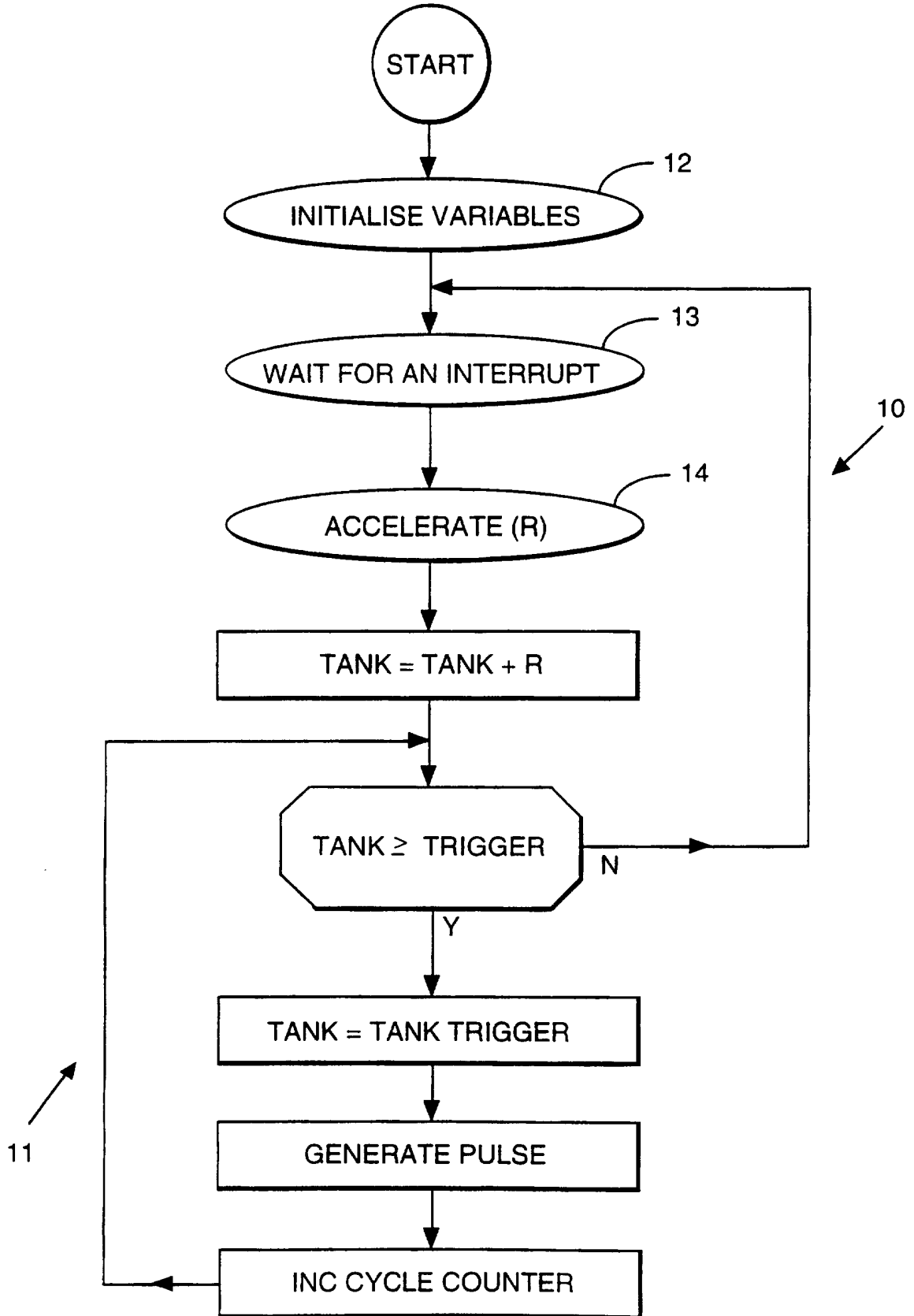
25

30

Fig.1.



2/12
Fig.2.



3/12

Fig.3.

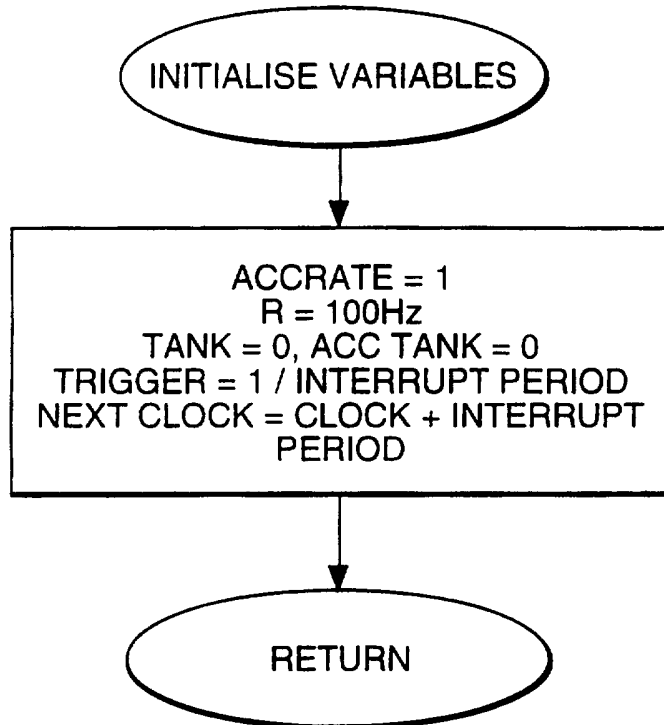
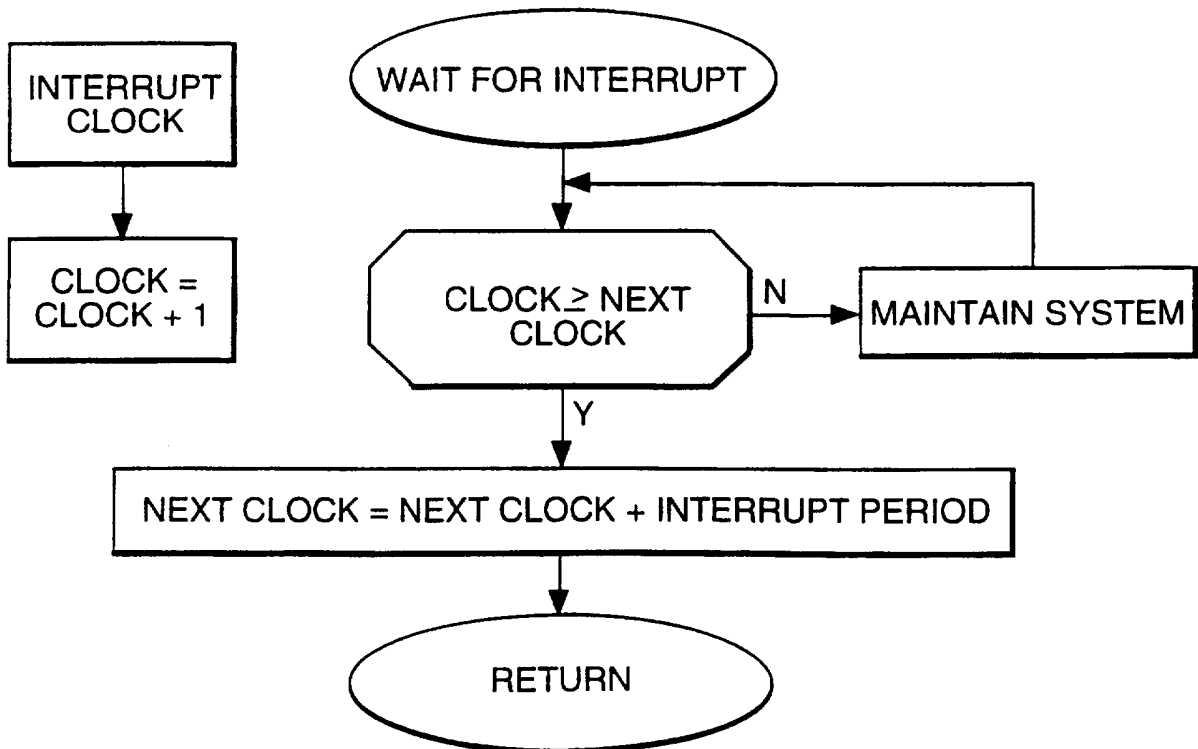
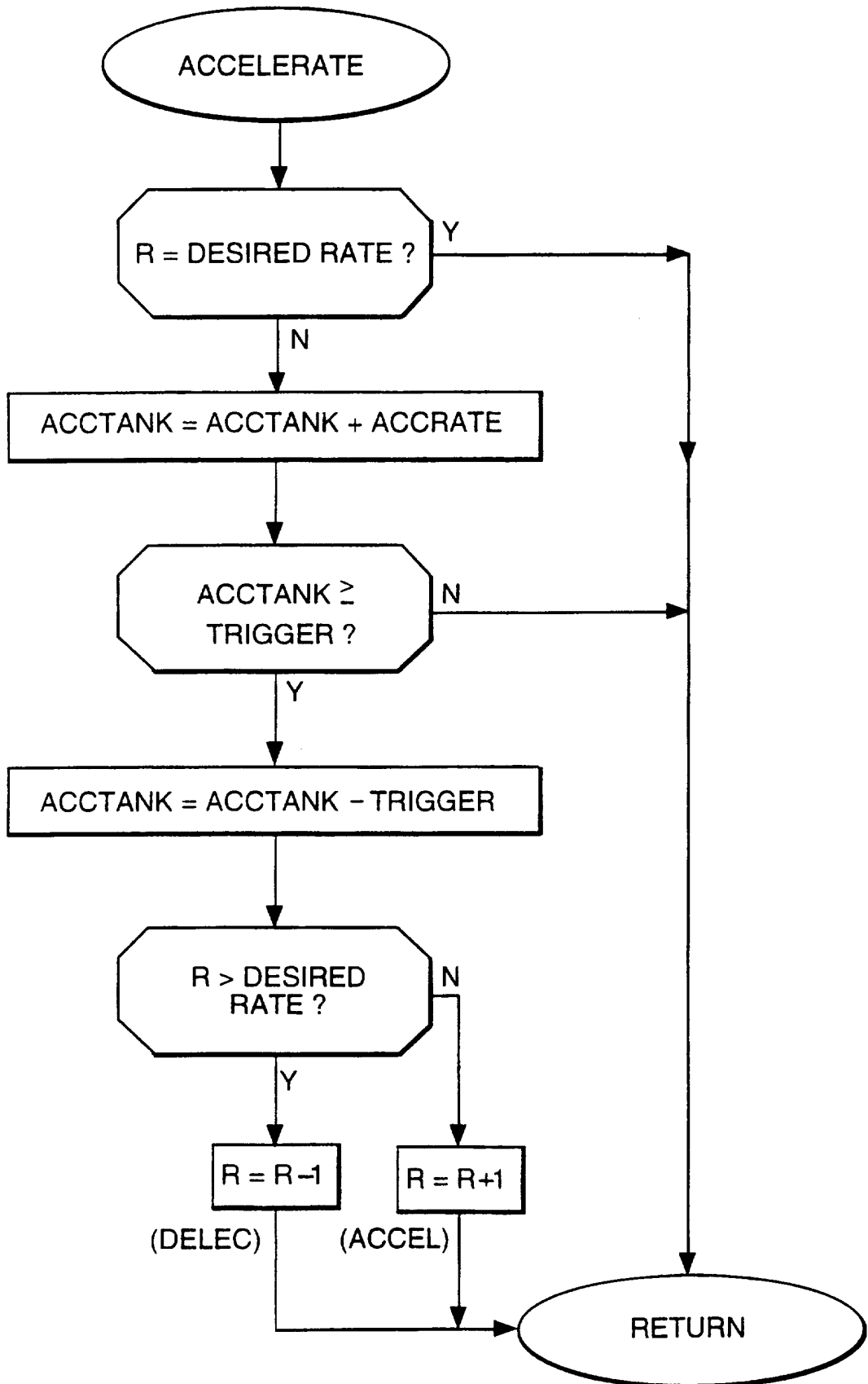


Fig.4.



4/12
Fig.5.



5/12

Fig.6.

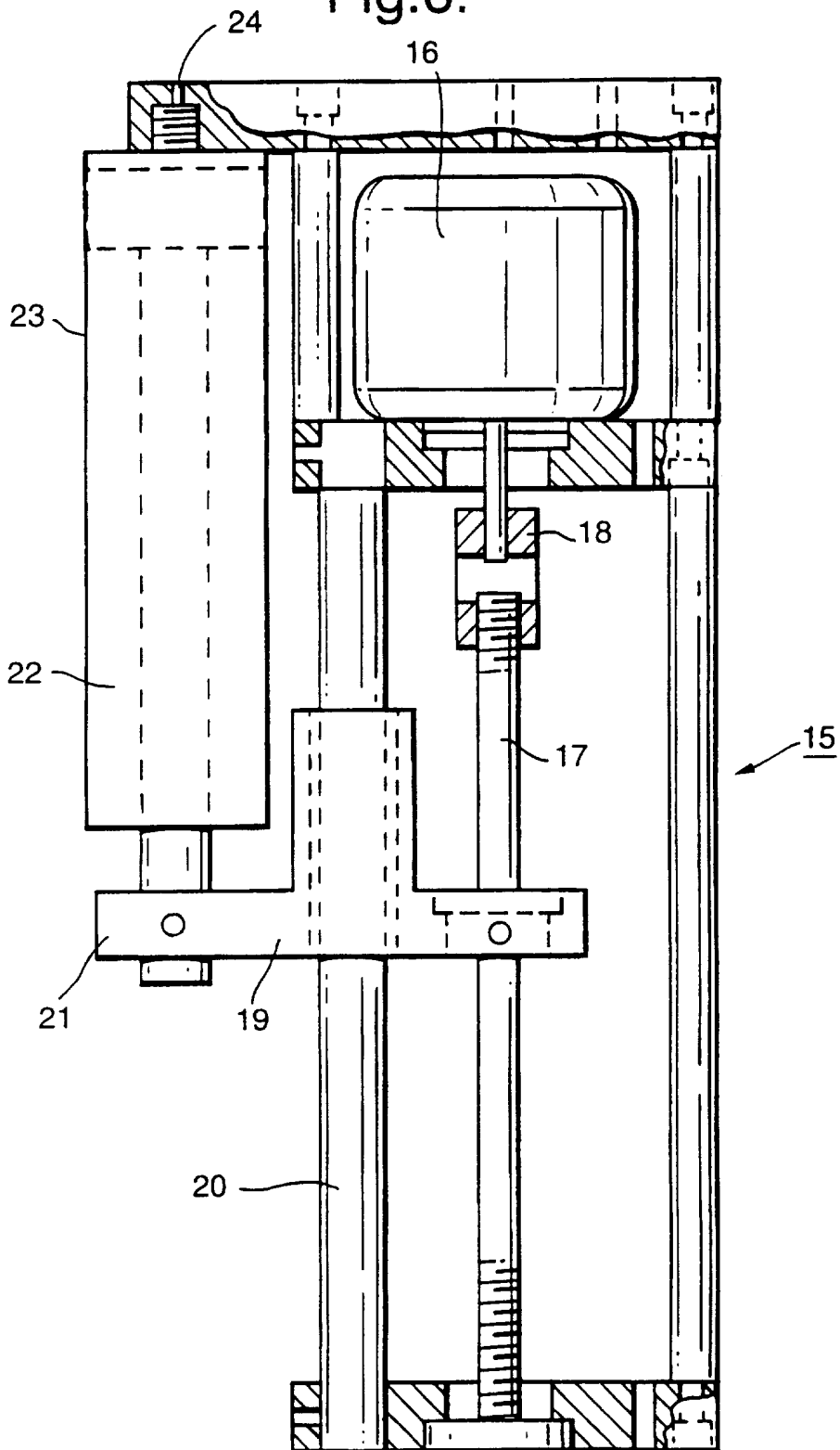


Fig.7a.

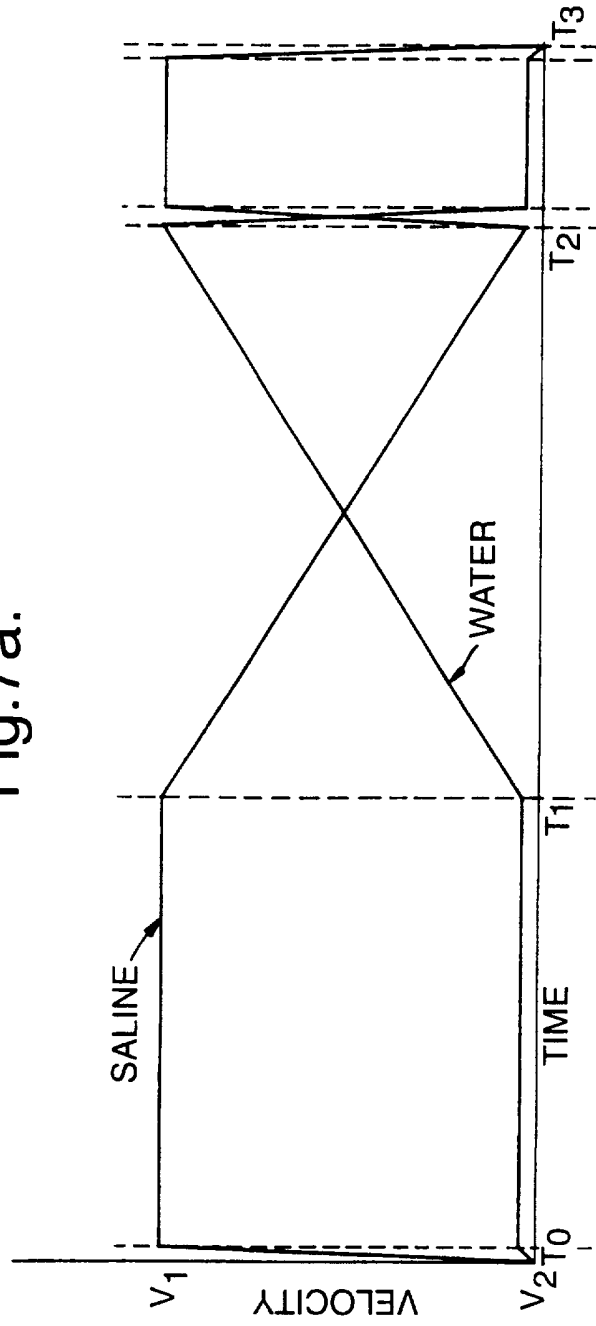
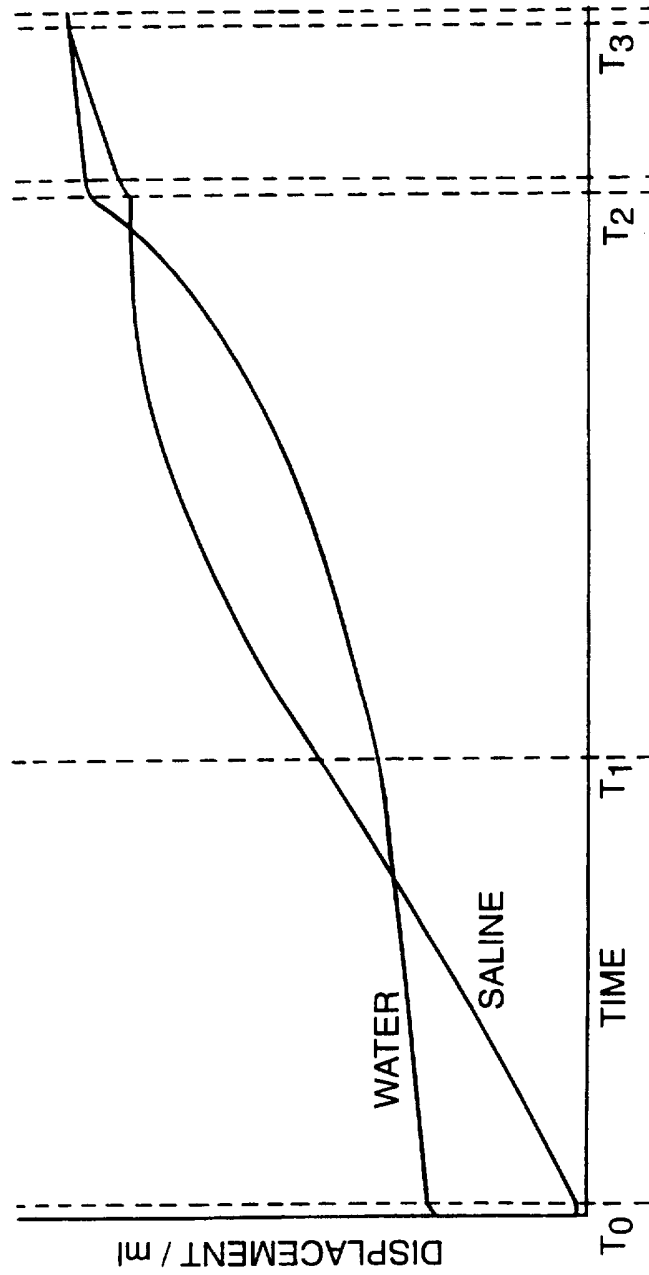


Fig. 7b.



8/12

Fig. 8

TABLE 1

Frequency is an average of the number of pulses shown on each line
 $m=1000$ $r=431$ desired velocity=431

time	loops	n	r	pulses	Hz	%error
0.003	3	1293	431	0	0.0	100.00
0.007	7	1017	431	2	500.0	-16.01
0.012	12	1172	431	4	400.0	7.19
0.021	21	1051	431	8	444.4	-3.12
0.040	40	1240	431	16	421.1	2.31
0.077	77	1187	431	32	432.4	-0.33
0.151	151	1081	431	64	432.4	-0.33
0.300	300	1300	431	128	429.5	0.34
0.597	597	1307	431	256	431.0	0.01
1.191	1191	1321	431	512	431.0	0.01
2.379	2379	1349	431	1024	431.0	0.01
4.755	4755	1405	431	2048	431.0	0.01
9.506	9506	1086	431	4096	431.1	-0.02
19.010	19010	1310	431	8192	431.0	0.01
38.017	38017	1327	431	16384	431.0	0.00
76.031	76031	1361	431	32768	431.0	0.00

TABLE 2

Frequency is an average of the number of pulses shown on each line
 $m=10000$ $r=431$ desired velocity=431

time	loops	n	r	pulses	Hz	%error
0.002	24	10344	431	0	0.0	100.00
0.007	70	10170	431	2	434.8	-0.88
0.012	117	10427	431	4	425.5	1.27
0.021	209	10079	431	8	434.8	-0.88
0.039	395	10245	431	16	430.1	0.21
0.077	766	10146	431	32	431.3	-0.06
0.151	1509	10379	431	64	430.7	0.07
0.299	2994	10414	431	128	431.0	0.01
0.596	5963	10053	431	256	431.1	-0.03
1.190	11903	10193	431	512	431.0	0.01
2.378	23782	10042	431	1024	431.0	-0.00
4.754	47541	10171	431	2048	431.0	0.00

TABLE 3

Frequency is an average of the number of pulses shown on each line
 $m=100000$ $r=431$ desired velocity=431

time	loops	n	r	pulses	Hz	%error
0.002	233	100423	431	0	0.0	100.00
0.007	697	100407	431	2	431.0	-0.01
0.012	1161	100391	431	4	431.0	-0.01
0.021	2089	100359	431	8	431.0	-0.01
0.039	3945	100295	431	16	431.0	-0.01
0.077	7657	100167	431	32	431.0	-0.01
0.151	15082	100342	431	64	431.0	0.01
0.299	29931	100261	431	128	431.0	-0.00
0.596	59629	100099	431	256	431.0	-0.00
1.190	119026	100206	431	512	431.0	0.00
2.378	237820	100420	431	1024	431.0	0.00

9/12

Fig. 9

TABLE 4

Frequency is an average of the number of pulses shown on each line

m=100000 $r=93$ desired velocity=93

time	loops	n	r	pulses	Hz	%error
0.011	1078	100068	93	0	0.0	100.00
0.032	3226	100018	93	2	93.0	-0.03
0.054	5377	100061	93	4	93.0	0.02
0.097	9678	100054	93	8	93.0	-0.00
0.183	18280	100040	93	16	93.0	-0.00
0.355	35484	100012	93	32	93.0	-0.00
0.699	69893	100049	93	64	93.0	0.00

TABLE 5

Frequency is an average of the number of pulses shown on each line

m=100000 $r=939$ desired velocity=939

time	loops	n	r	pulses	Hz	%error
0.001	107	100473	939	0	0.0	100.00
0.003	320	100480	939	2	939.0	0.00
0.005	533	100487	939	4	939.0	0.00
0.010	959	100501	939	8	939.0	0.00
0.018	1811	100529	939	16	939.0	0.00
0.035	3515	100585	939	32	939.0	0.00
0.069	6923	100697	939	64	939.0	0.00
0.137	13739	100921	939	128	939.0	0.00
0.274	27370	100430	939	256	939.0	-0.00
0.546	54633	100387	939	512	939.0	-0.00
1.092	109159	100301	939	1024	939.0	-0.00

TABLE 6

Frequency is an average of the number of pulses shown on each line

m=100000 $r=9393$ desired velocity=9393

time	loops	n	r	pulses	Hz	%error
0.000	11	103323	9393	0	0.0	100.00
0.000	32	100576	9393	2	9523.8	-1.39
0.001	54	107222	9393	4	9090.9	3.22
0.001	96	101728	9393	8	9523.8	-1.39
0.002	181	100133	9393	18	9411.8	-0.20
0.004	352	106338	9393	32	9356.7	0.39
0.007	693	109349	9393	64	9384.2	0.09
0.014	1374	105982	9393	128	9397.9	-0.05
0.027	2737	108641	9393	256	9391.0	0.02
0.055	5462	104566	9393	512	9394.5	-0.02
0.109	10913	105809	9393	1024	9392.8	0.00
0.218	21815	108295	9393	2048	9392.8	0.00
0.436	43618	103874	9393	4096	9393.2	-0.00
0.872	87225	104425	9393	8192	9393.0	0.00
1.744	174439	105527	9393	16384	9393.0	0.00

10/12

Fig. 10

TABLE 7

Frequency is an average of the number of pulses shown on each line
 m=100000 $f=93939$ desired velocity=93939

time	loops	n	r	pulses	Hz	%error
0.000	2	187878	93939	0	0.0	100.00
0.000	4	175756	93939	2	100000.0	-6.45
0.000	6	163634	93939	4	100000.0	-6.45
0.000	10	139390	93939	8	100000.0	-6.45
0.000	19	184841	93939	16	88888.9	5.38
0.000	36	181804	93939	32	94117.6	-0.19
0.001	70	175730	93939	64	94117.6	-0.19
0.001	138	163582	93939	128	94117.6	-0.19
0.003	274	139286	93939	256	94117.6	-0.19
0.005	547	184633	93939	512	93772.9	0.18
0.011	1092	181388	93939	1024	93945.0	-0.01
0.022	2182	174898	93939	2048	93945.0	-0.01
0.044	4362	181918	93939	4096	93945.0	-0.01
0.087	8722	135958	93939	8192	93945.0	-0.01
0.174	17443	177977	93939	16384	93934.2	0.01
0.349	34884	168076	93939	32768	93939.6	-0.00
0.698	69766	148274	93939	65536	93939.6	-0.00
1.395	139530	108670	93939	131072	93939.6	-0.00
2.791	279059	123401	93939	262144	93938.9	0.00

TABLE 8

Frequency is an average of the number of pulses shown on each line
 m=1000000 $f=939393$ desired velocity=939393

time	loops	n	r	pulses	Hz	%error
0.000	2	1878786	939393	0	0.0	100.00
0.000	4	1757572	939393	2	1000000.0	-6.45
0.000	6	1636358	939393	4	1000000.0	-6.45
0.000	10	1393930	939393	8	1000000.0	-6.45
0.000	19	1848487	939393	16	888888.9	5.38
0.000	36	1818148	939393	32	941176.5	-0.19
0.000	70	1757510	939393	6	941176.5	-0.19
0.000	138	1636234	939393	128	941176.5	-0.19
0.000	274	1393682	939393	256	941176.5	-0.19
0.001	547	1847971	939393	512	937728.9	0.18
0.001	1092	1817156	939393	1024	939449.5	-0.01
0.002	2182	1755526	939393	2048	939449.5	-0.01
0.004	4362	1632266	939393	4096	939449.5	-0.01
0.009	8722	1385748	939393	8192	939449.5	-0.01
0.017	17443	1832099	939393	16384	939341.8	0.01
0.035	34884	1785412	939393	32768	939395.7	-0.00
0.070	69766	1692038	939393	65536	939395.7	-0.00
0.140	139530	1505290	939393	131072	939395.7	-0.00

11/12

Fig. 11

TABLE 9

Frequency is an average of the number of pulses shown on each line

m=1000000 $\tau=9$ desired velocity=939393

time	loops	n	τ	pulses	Hz	error
0.111	111112	1000008	9	0	0.0	100.00
0.198	198227	1000023	29	2	23.0	20.83
0.244	244278	1000014	49	4	43.4	11.36
0.300	299612	1000008	89	8	72.3	18.78
0.361	361155	1000025	169	16	130.0	23.08
0.426	426354	1000086	329	32	245.4	25.41
0.494	493548	1000032	649	64	476.2	26.62
0.562	561787	1001033	1289	128	937.9	27.24
0.631	630559	1000761	2569	256	1861.2	27.55
0.700	699602	1003058	5129	512	3707.8	27.71
0.769	768781	1010049	10249	1024	7401.1	27.79
0.838	838027	1004463	20489	2048	14787.9	27.83
0.907	907308	1012892	40969	4096	29560.8	27.85
0.977	976606	1027344	81929	8192	59107.0	27.86
1.046	1045913	1133547	163849	16384	118198.7	27.86
1.115	1115223	1007707	327889	32768	236387.2	27.86
1.185	1184538	1062254	655369	65536	472754.0	27.86
1.260	1280069	1266451	939389	131072	867647.3	7.64
1.400	1399597	1032483	939389	262144	939395.7	-0.00
1.679	1678854	1503948	939389	524288	939392.3	-0.00
2.237	2236767	1507473	939389	1048576	939394.0	-0.00

12/12

Fig. 12

Table 10

time	loops	<u>tank</u>	$\frac{r}{\text{(rate)}}$	<u>AccRate</u>	pulse	Hz	%error
0.010	200	20000	100	1000	0	0.0	100.00
5.010	100200	20000	100	1000	500	100.0	0.00
10.010	200200	20000	100	1000	1000	100.0	0.00
15.010	300200	20000	100	1000	1500	100.0	0.00
20.010	400200	20000	100	1000	2000	100.0	0.00
25.010	500200	20000	100	1000	2500	100.0	0.00
31.903	638069	20990	2003	1000	5000	362.7	81.89
33.644	672874	20105	3743	1000	10000	2873.2	23.24
34.801	696013	20500	4900	1000	15000	4321.7	11.80
35.732	714649	23140	5832	1000	20000	5366.0	7.99
36.535	730692	20362	6634	1000	25000	6233.2	6.04
37.250	744995	23004	7349	1000	30000	6991.5	4.86
37.901	758024	20905	8001	1000	35000	7675.2	4.07
38.503	770070	25593	8603	1000	40000	8301.5	3.50
39.068	781356	23900	9000	1000	45000	8860.5	1.55
39.623	792467	22900	9000	1000	50000	9000.1	-0.00
40.179	803578	21900	9000	1000	55000	9000.1	-0.00
40.734	814689	20900	9000	1000	60000	9000.1	-0.00

INTERNATIONAL SEARCH REPORT

International Application No

PCT/GB 96/03240

A. CLASSIFICATION OF SUBJECT MATTER
IPC 6 H03B28/00

According to International Patent Classification (IPC) or to both national classification and IPC

B. FIELDS SEARCHED

Minimum documentation searched (classification system followed by classification symbols)
IPC 6 H03B H02P A61M

Documentation searched other than minimum documentation to the extent that such documents are included in the fields searched

Electronic data base consulted during the international search (name of data base and, where practical, search terms used)

C. DOCUMENTS CONSIDERED TO BE RELEVANT

Category *	Citation of document, with indication, where appropriate, of the relevant passages	Relevant to claim No.
A	US 4 604 034 A (WHEELDON PETER G ET AL) 5 August 1986 see column 4, line 16 - line 49 ---	1,8, 11-13
A	US 4 661 754 A (TAJIMA TAIJI ET AL) 28 April 1987 see column 3, line 8 - column 4, line 9 ---	1,8,12
A	US 4 417 189 A (OVERFIELD DENNIS O) 22 November 1983 see column 2, line 66 - column 4, line 4 ---	1,8,12
A	US 4 634 426 A (KAMEN DEAN L) 6 January 1987 see column 9, line 37 - column 10, line 9 -----	11-13

Further documents are listed in the continuation of box C.

Patent family members are listed in annex.

* Special categories of cited documents :

- *A* document defining the general state of the art which is not considered to be of particular relevance
- *E* earlier document but published on or after the international filing date
- *L* document which may throw doubts on priority claim(s) or which is cited to establish the publication date of another citation or other special reason (as specified)
- *O* document referring to an oral disclosure, use, exhibition or other means
- *P* document published prior to the international filing date but later than the priority date claimed

- *T* later document published after the international filing date or priority date and not in conflict with the application but cited to understand the principle or theory underlying the invention
- *X* document of particular relevance; the claimed invention cannot be considered novel or cannot be considered to involve an inventive step when the document is taken alone
- *Y* document of particular relevance; the claimed invention cannot be considered to involve an inventive step when the document is combined with one or more other such documents, such combination being obvious to a person skilled in the art.
- *&* document member of the same patent family

Date of the actual completion of the international search

8 April 1997

Date of mailing of the international search report

28.04.97

Name and mailing address of the ISA

European Patent Office, P.B. 5818 Patentlaan 2
NL - 2280 HV Rijswijk
Tel. (+ 31-70) 340-2040, Tx. 31 651 epo nl,
Fax: (+ 31-70) 340-3016

Authorized officer

Peeters, M

INTERNATIONAL SEARCH REPORT

information on patent family members

International Application No

PCT/GB 96/03240

Patent document cited in search report	Publication date	Patent family member(s)	Publication date
US 4604034 A	05-08-86	CA 1238964 A EP 0127346 A JP 60013498 A	05-07-88 05-12-84 23-01-85

US 4661754 A	28-04-87	JP 60241797 A	30-11-85

US 4417189 A	22-11-83	NONE	

US 4634426 A	06-01-87	CA 1257673 A DE 3584369 A EP 0205560 A JP 62500984 T WO 8603415 A	18-07-89 14-11-91 30-12-86 23-04-87 19-06-86
