



US00D772995S

(12) **United States Design Patent** (10) **Patent No.:** **US D772,995 S**
Cardani et al. (45) **Date of Patent:** **** Nov. 29, 2016**

(54) **GOLF CLUB HEAD FOR A PUTTER**

(71) Applicant: **NIKE, Inc.**, Beaverton, OR (US)

(72) Inventors: **Jason Cardani**, Portland, OR (US);
Andrew G. V. Oldknow, Beaverton,
OR (US)

(73) Assignee: **NIKE, Inc.**, Beaverton, OR (US)

(**) Term: **14 Years**

(21) Appl. No.: **29/525,217**

(22) Filed: **Apr. 28, 2015**

(51) **LOC (10) Cl.** **21-02**

(52) **U.S. Cl.**
USPC **D21/759**

(58) **Field of Classification Search**
USPC D21/736-746, 759
CPC A63B 53/065; A63B 53/0487; A63B 53/00;
A63B 53/007

See application file for complete search history.

(56) **References Cited**

U.S. PATENT DOCUMENTS

D207,227 S *	3/1967	Solheim	D21/739
D326,303 S	5/1992	Cameron	
D335,315 S *	5/1993	Shearer	D21/743
D335,694 S	5/1993	Stuff	
D389,207 S *	1/1998	Cameron	D21/742
D422,660 S	4/2000	Grace et al.	
D438,272 S *	2/2001	Moore	D21/736
D443,320 S	6/2001	Breier et al.	
D443,906 S *	6/2001	Hettinger	D21/743
D445,865 S	7/2001	Mills	
D449,085 S *	10/2001	Breier	D21/744
D459,423 S	6/2002	Long	
D498,276 S *	11/2004	Schweigert	D21/743
D521,580 S *	5/2006	Burrows	D21/736
D548,294 S	8/2007	Nguyen et al.	
D559,928 S	1/2008	Cameron	
D559,930 S *	1/2008	Cameron	D21/746

D562,921 S	2/2008	Nguyen et al.	
D565,677 S	4/2008	Cameron	
D565,678 S	4/2008	Cameron	
D574,911 S	8/2008	Jones et al.	
D578,586 S	10/2008	Oldknow et al.	
D583,887 S	12/2008	Cameron	
D590,462 S *	4/2009	Hettinger	D21/743
D638,892 S *	5/2011	Hettinger	D21/743
D643,893 S *	8/2011	Rollinson	D21/742
D648,407 S *	11/2011	Teramoto	D21/743
D652,465 S	1/2012	Rollinson	
D661,754 S	6/2012	Cameron et al.	

(Continued)

OTHER PUBLICATIONS

Edwin Watts Golf Catalog, Spring 2010; pp. 7, published Spring 2010.

(Continued)

Primary Examiner — Mitchell Siegel
(74) *Attorney, Agent, or Firm* — Banner & Witcoff, Ltd.

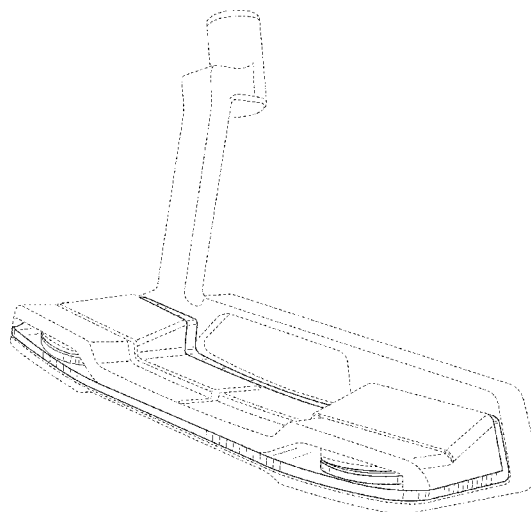
(57) **CLAIM**

The ornamental design for a golf club head for a putter, as shown and described.

DESCRIPTION

FIG. 1 is a rear perspective view of a golf club head for a putter showing our new design; FIG. 2 is a bottom perspective view thereof; FIG. 3 is a front view thereof; FIG. 4 is a rear view thereof; FIG. 5 is a heel end view thereof; FIG. 6 is a toe end view thereof; FIG. 7 is a top view thereof; and, FIG. 8 is a bottom view thereof. The broken lines showing the remainder of the golf club are for environmental purposes only and form no part of the claimed design.

1 Claim, 6 Drawing Sheets



(56)

References Cited

U.S. PATENT DOCUMENTS

D682,376 S * 5/2013 Oliveiro D21/736
D688,339 S 8/2013 Hilton et al.
D688,762 S 8/2013 Hilton et al.
D689,574 S 9/2013 Rollinson
D691,225 S * 10/2013 Hilton D21/736
D707,771 S 6/2014 Cameron
D733,817 S * 7/2015 Jorgensen D21/736

D733,818 S * 7/2015 Jorgensen D21/736
2007/0135232 A1 6/2007 Billings
2012/0252594 A1 10/2012 Solheim et al.

OTHER PUBLICATIONS

Golfsmith Catalog, Spring 2010; pp. 25, published Spring 2010.
Golfsmith Catalog, Spring 2010; pp. 29, published Spring 2010.
Golfsmith Catalog, Spring 2010; pp. 34, published Spring 2010.

* cited by examiner

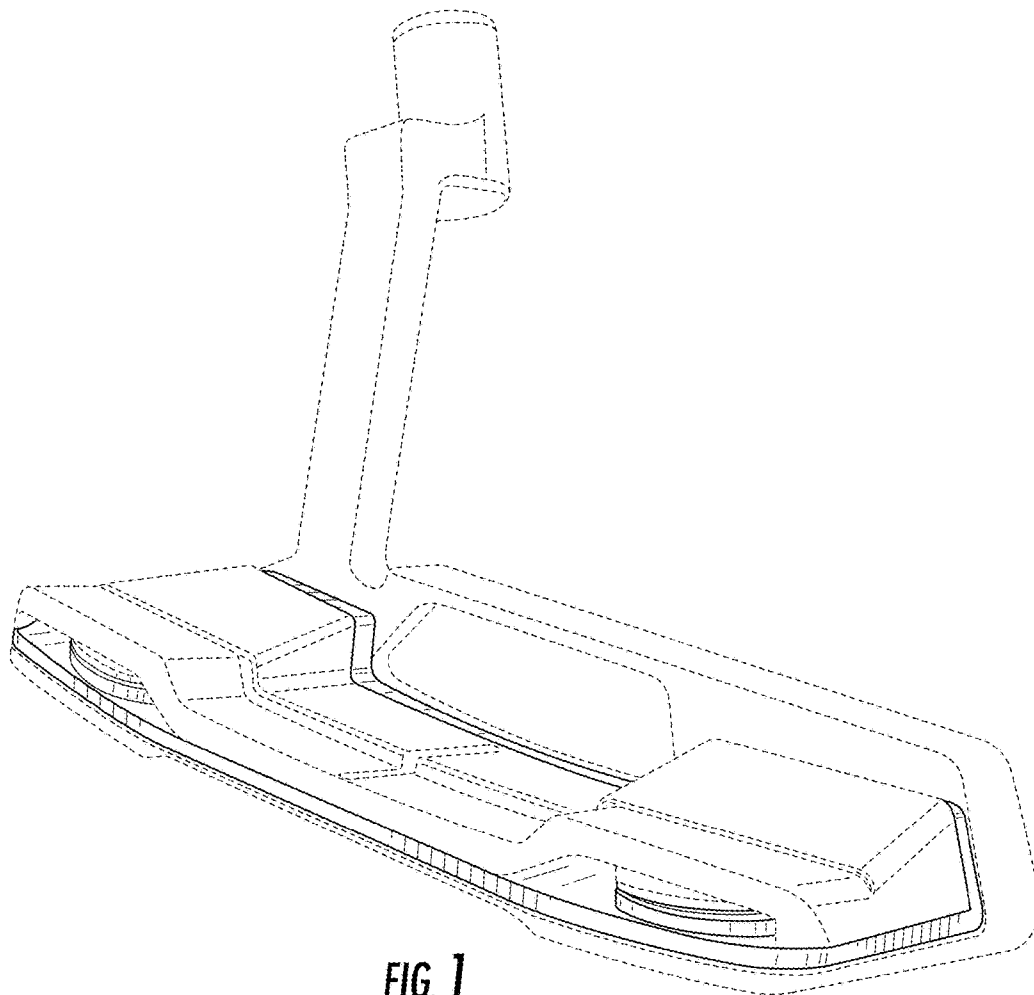


FIG. 1

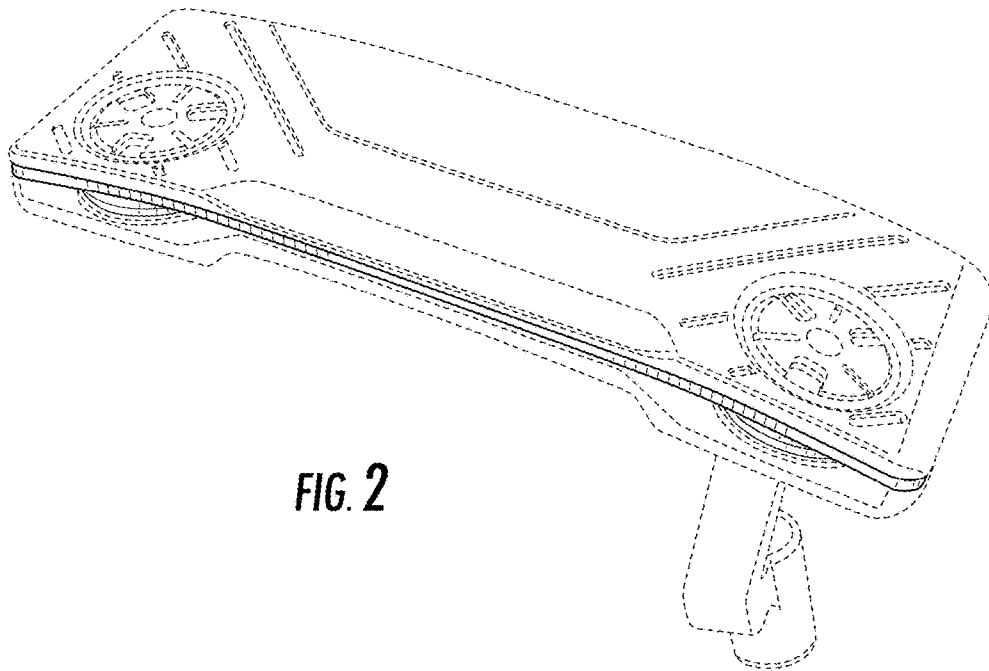


FIG. 2

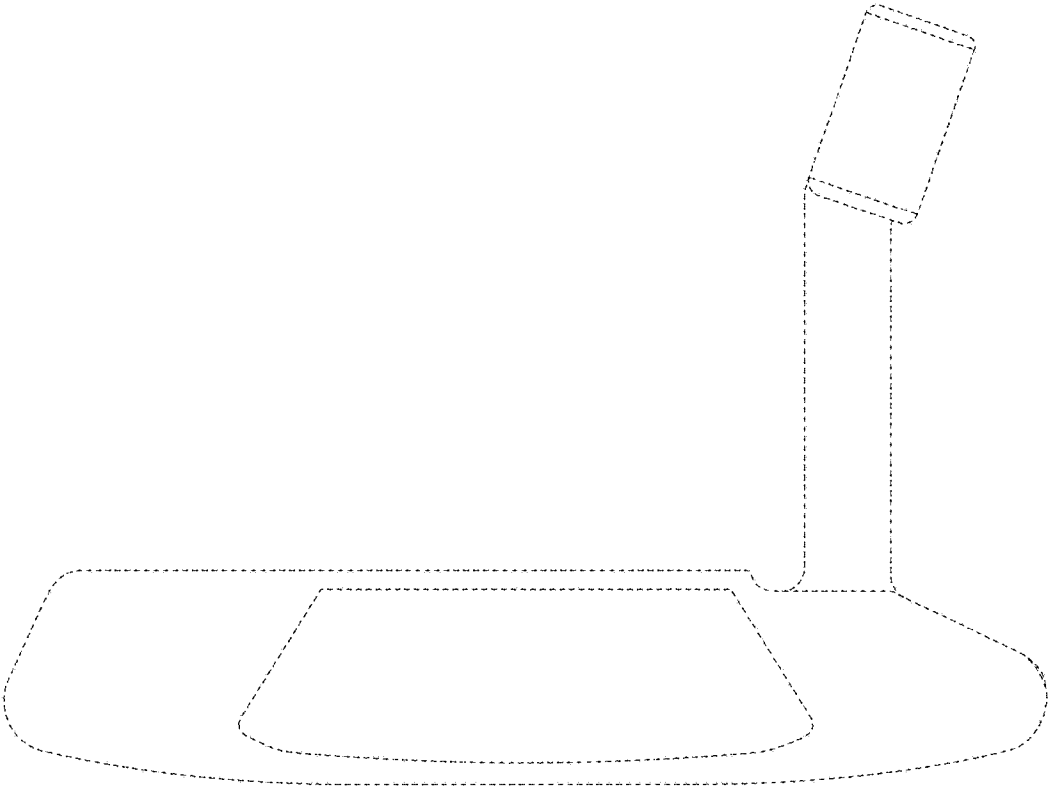


FIG. 3

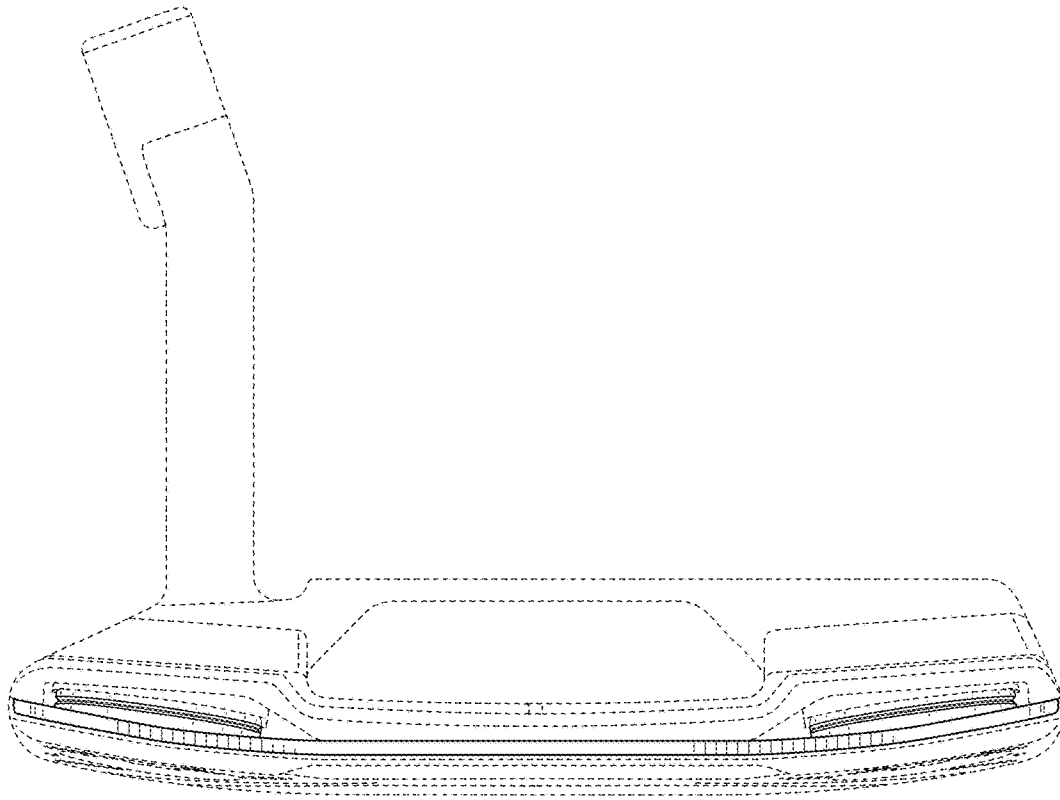


FIG. 4

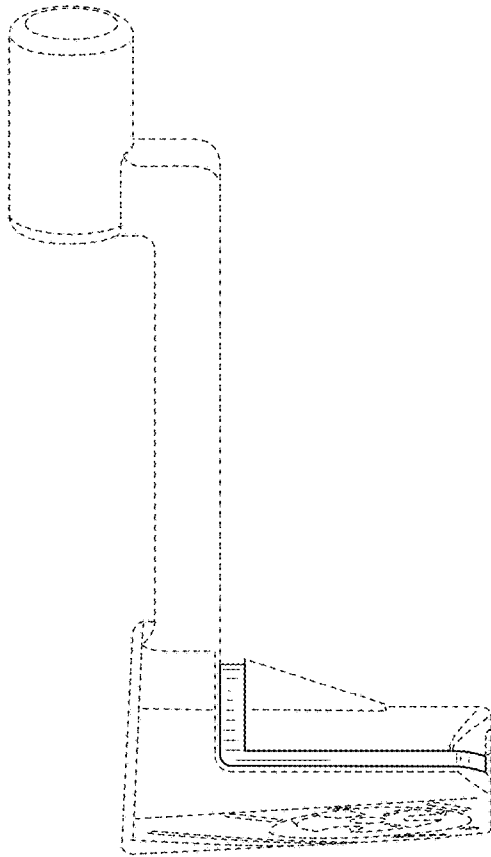


FIG. 5

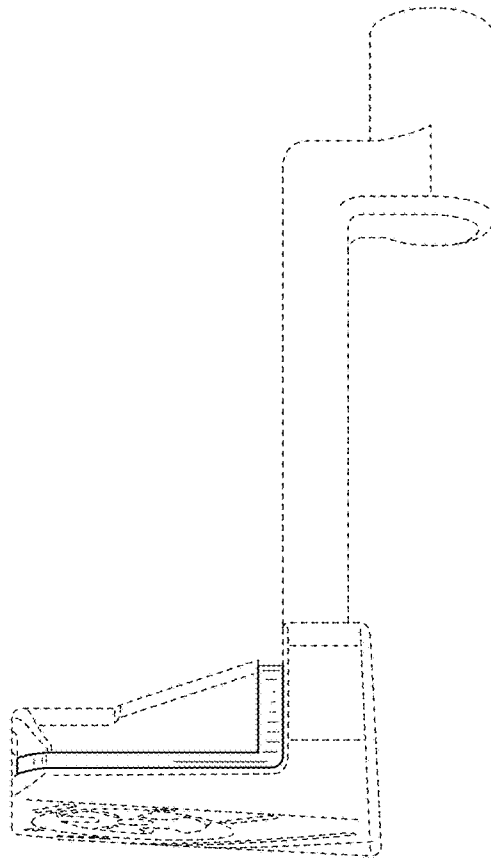


FIG. 6

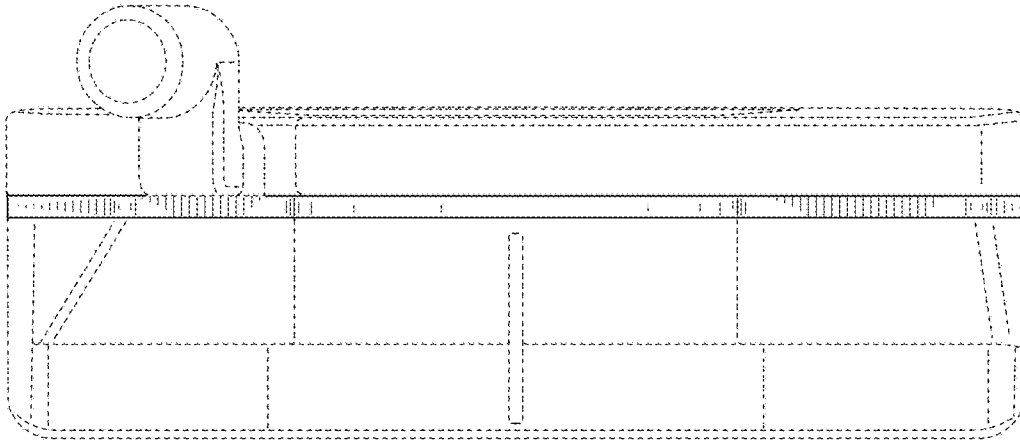


FIG. 7

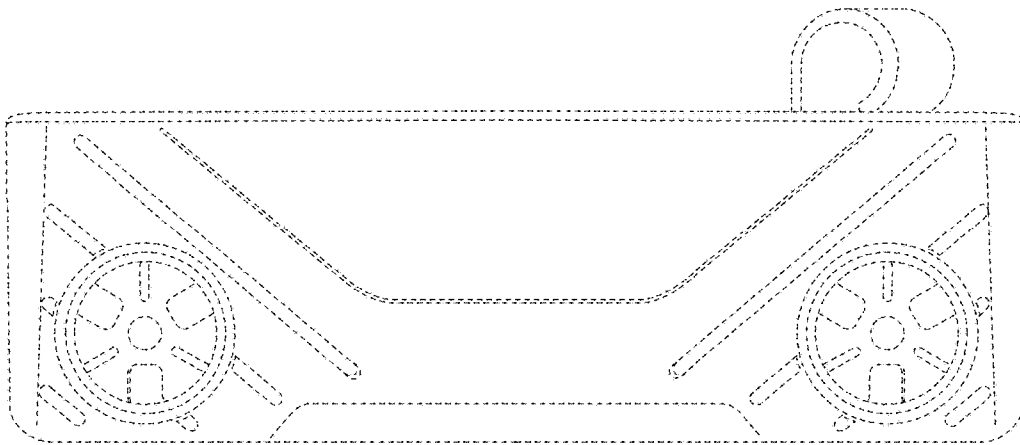


FIG. 8