

[54] FOUNTAIN PEN

[75] Inventor: Gerd A. Müller, Eschborn, Fed. Rep. of Germany

[73] Assignee: C. Joseph Lamy GmbH, Heidelberg, Fed. Rep. of Germany

[**] Term: 14 Years

[21] Appl. No.: 883,341

[22] Filed: Mar. 3, 1978

[30] Foreign Application Priority Data
Sep. 6, 1977 [DE] Fed. Rep. of Germany 166

[51] Int. Cl. D19-06

[52] U.S. Cl. D19/51; D19/48

[58] Field of Search D19/36, 41-51, D19/56

[56] References Cited

U.S. PATENT DOCUMENTS

D. 166,161	3/1952	Hanle	D19/48
D. 235,080	5/1975	Verona	D19/51
D. 247,246	2/1978	Verona	D19/51
D. 249,887	10/1978	Anderka et al.	D19/49

OTHER PUBLICATIONS

Fahrney's Cat. of Fine Writing Instruments, 1977, p. 7, Item No. MB1124.

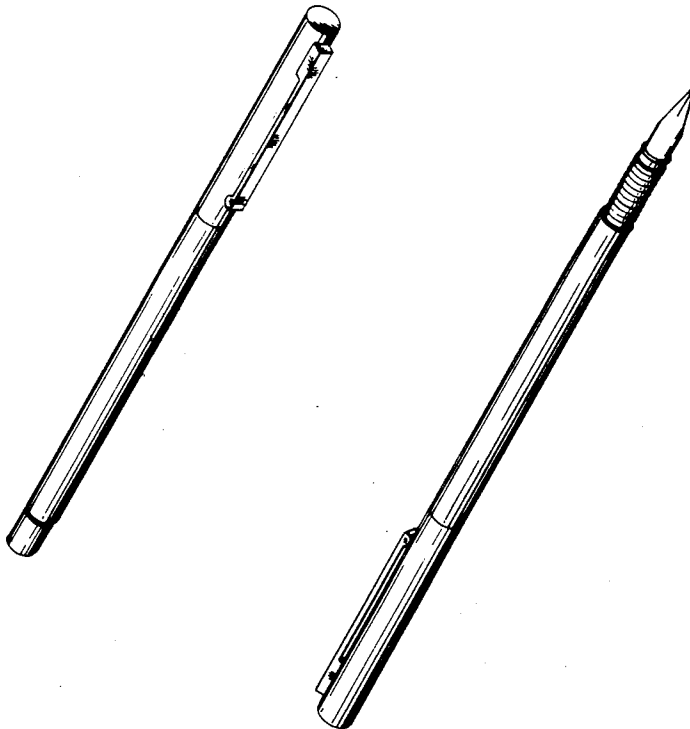
Primary Examiner—Joel Stearman
Assistant Examiner—George P. Word
Attorney, Agent, or Firm—Jacobs & Jacobs

[57] CLAIM

The ornamental design for a fountain pen, as shown and described.

DESCRIPTION

FIG. 1 is a perspective view of a fountain pen showing my new design;
FIG. 2 is a front elevational view;
FIG. 3 is a rear elevational view;
FIG. 4 is a top plan view;
FIG. 5 is a bottom plan view;
FIG. 6 is a perspective view of the fountain pen with the cap disposed on the end remote from the writing point. The ribbed portion adjacent to the writing point is the same all the way around as the portion disclosed in the drawing. The writing point is the conventional pen point.



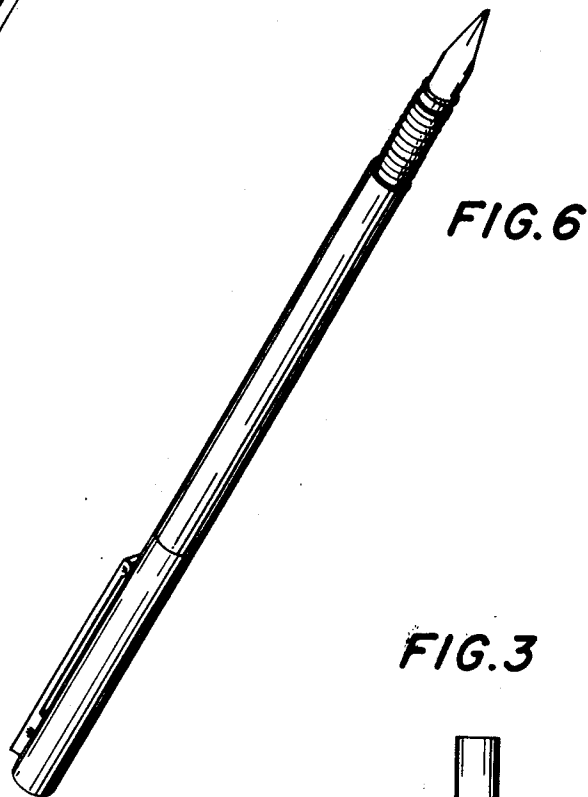
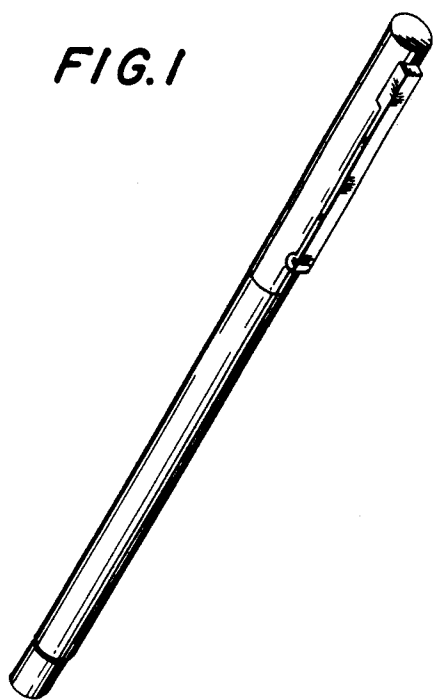


FIG. 3



FIG. 4



FIG. 5

