



US00D763108S

(12) **United States Design Patent**
Hagerty et al.

(10) **Patent No.:** **US D763,108 S**

(45) **Date of Patent:** **** Aug. 9, 2016**

(54) **HANDHELD LASER INDUCED BREAKDOWN SPECTROSCOPY ANALYZER**

FOREIGN PATENT DOCUMENTS

(71) Applicant: **SciAps, Inc.**, Woburn, MA (US)

WO WO 2015/057784 4/2015

(72) Inventors: **Thomas A. Hagerty**, Somerville, MA (US); **Joshua Rose**, Natick, MA (US); **Eric Smallwood**, Somerville, MA (US); **Mark James Foley**, Westford, MA (US); **Theodore J. Wright**, Acton, MA (US)

OTHER PUBLICATIONS

B&W Tek, Inc., "LIBS Solution", 2015, <http://bwtek.com/products/libs/>, (two (2)) pages.
U.S. Appl. No. 29/527,093, SciAps, Inc.

* cited by examiner

(73) Assignee: **SciAps, Inc.**, Woburn, MA (US)

Primary Examiner — Antoine D Davis

(**) Term: **15 Years**

(74) *Attorney, Agent, or Firm* — Iandiorio Teska & Coleman, LLP

(21) Appl. No.: **29/527,112**

(22) Filed: **May 15, 2015**

(51) **LOC (10) Cl.** **10-04**

(57) **CLAIM**

The ornamental design for a handheld laser induced breakdown spectroscopy analyzer, as shown and described.

(52) **U.S. Cl.**
USPC **D10/78; D10/81**

(58) **Field of Classification Search**
USPC D10/78, 81, 103; D24/216–234
CPC G01J 3/0272; G01J 3/0256; G01J 3/0291;
G01N 2201/0221; G01N 2201/0222
See application file for complete search history.

DESCRIPTION

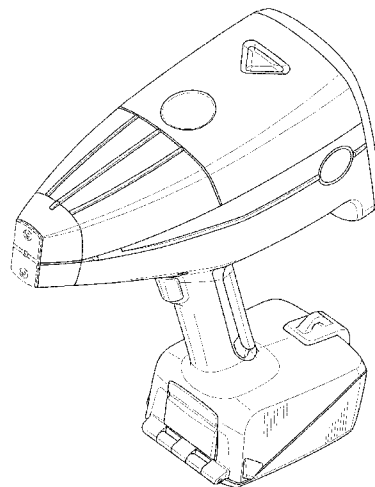
FIG. 1 is a front perspective view of the handheld laser induced breakdown spectroscopy analyzer of this invention; FIG. 2 is a view of the left side of the handheld laser induced breakdown spectroscopy analyzer of this invention; FIG. 3 is a view of the right side of the handheld laser induced breakdown spectroscopy analyzer of this invention; FIG. 4 is a front view of the handheld laser induced breakdown spectroscopy analyzer of this invention; FIG. 5 is a rear view of the handheld laser induced breakdown spectroscopy analyzer of this invention; FIG. 6 is a top view of the handheld laser induced breakdown spectroscopy analyzer of this invention; and, FIG. 7 is a bottom view of the of the handheld laser induced breakdown spectroscopy analyzer of this invention. The dashed lines are for illustrative purposes and form no part of the claimed design.

(56) **References Cited**

U.S. PATENT DOCUMENTS

5,783,811	A *	7/1998	Feng	G01J 3/51 235/462.42
5,818,028	A *	10/1998	Meyerson	G01J 3/51 235/462.01
7,236,243	B2 *	6/2007	Beecroft	G01J 3/02 356/328
D668,566	S *	10/2012	Dunkin	D10/104.1
8,355,126	B2 *	1/2013	Goulter	G01J 3/02 356/313
D731,909	S *	6/2015	Weakly	D10/81
9,273,998	B2 *	3/2016	Myers	G01N 21/718
2008/0179541	A1 *	7/2008	LeBoeuf	G01N 21/6486 250/459.1
2012/0044488	A1 *	2/2012	Senac	G01J 3/02 356/316

1 Claim, 5 Drawing Sheets



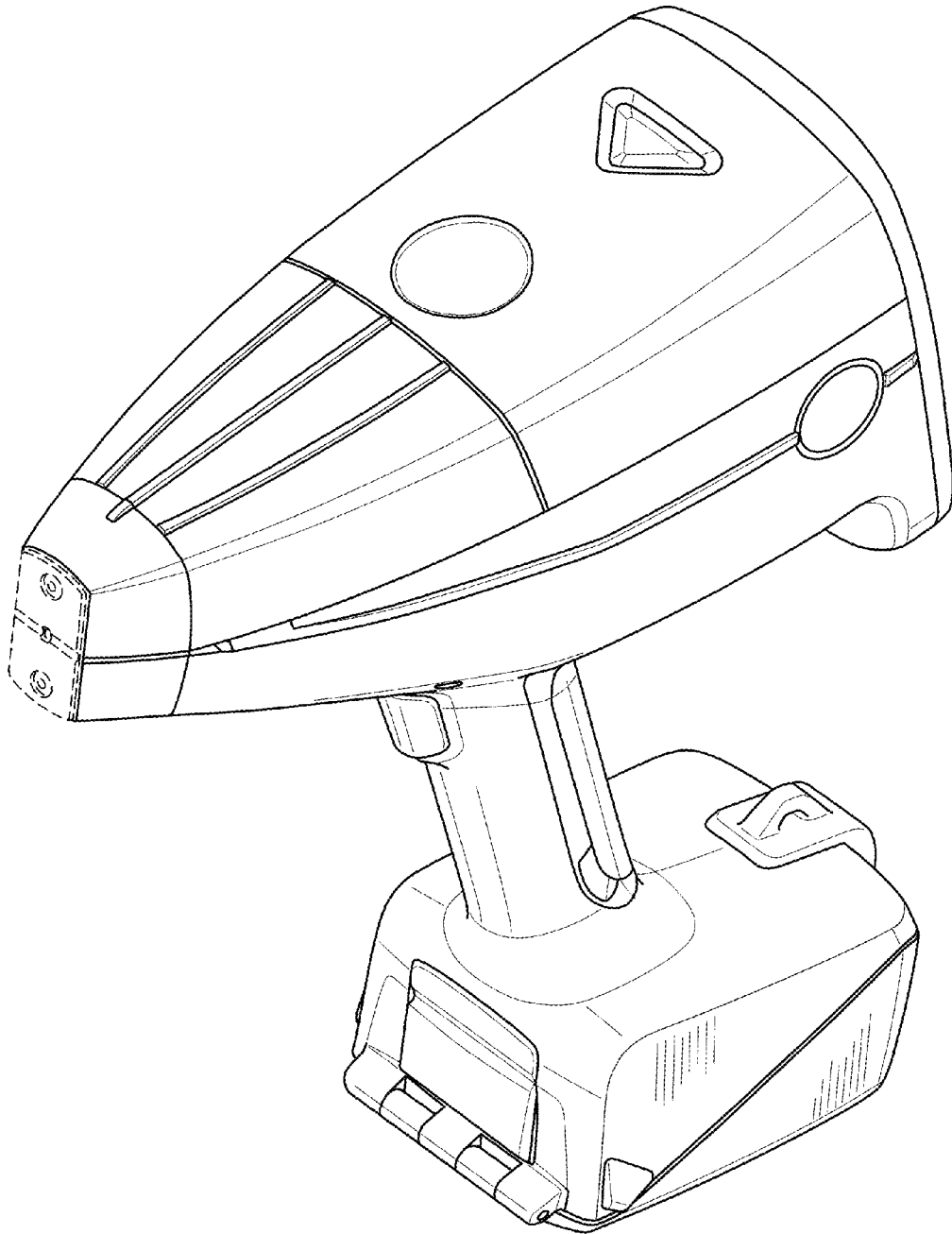


FIG. 1

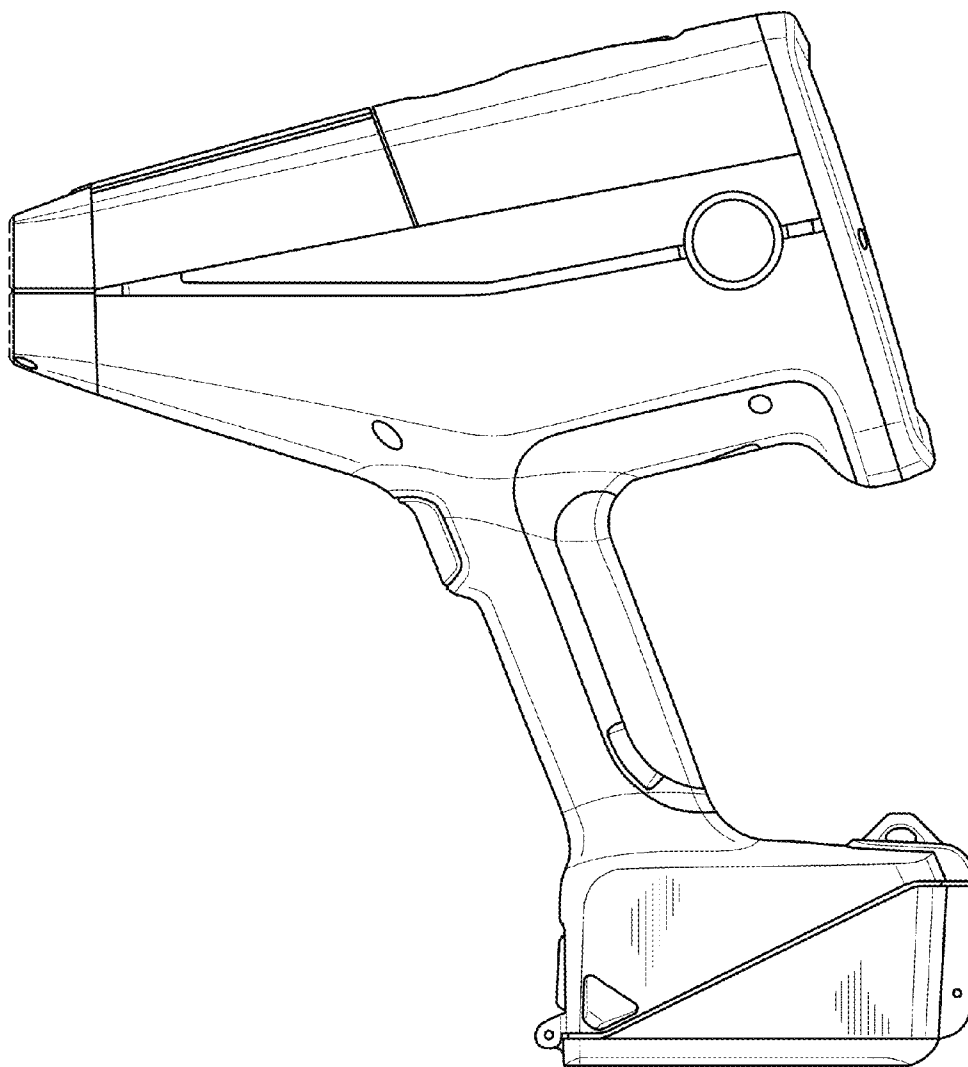


FIG. 2

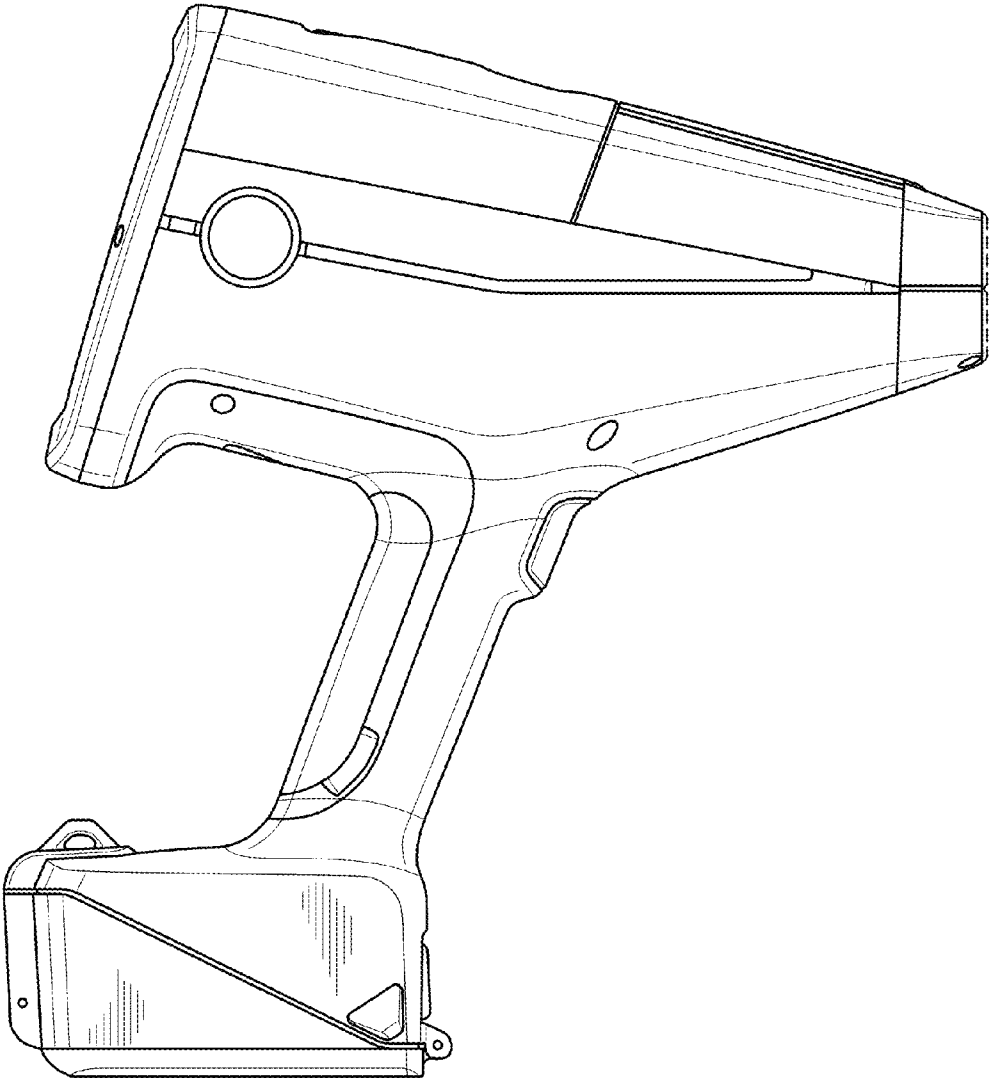


FIG. 3

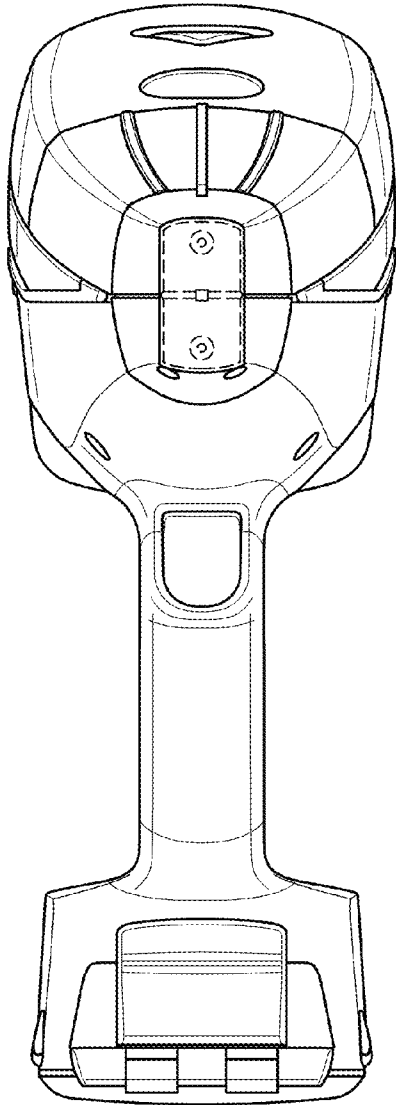


FIG. 4

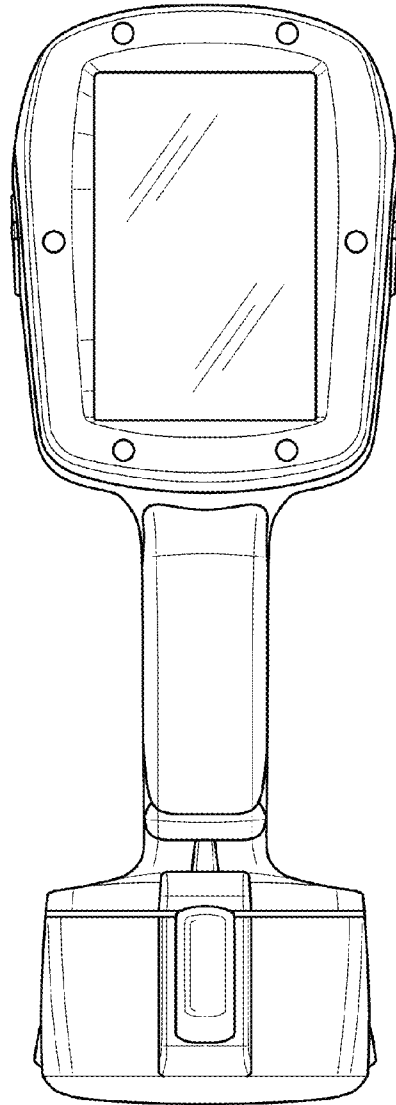


FIG. 5

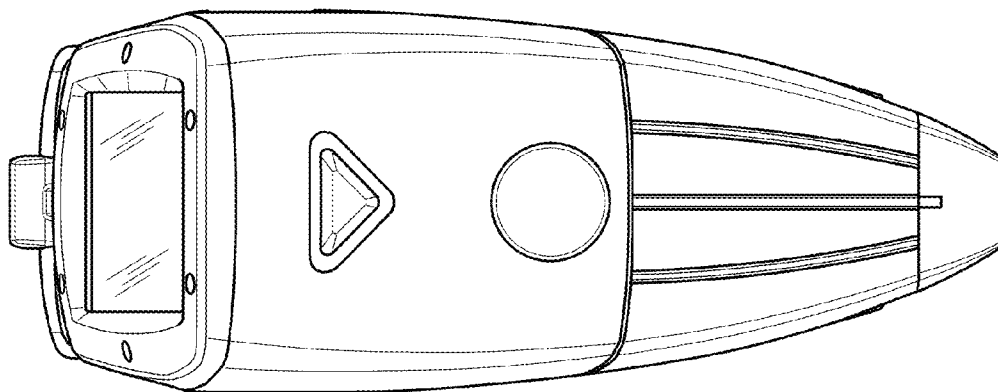


FIG. 6

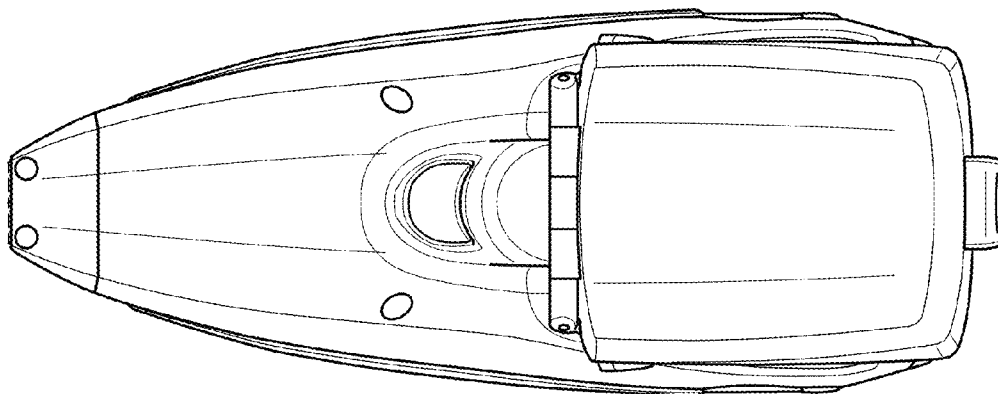


FIG. 7