



US0D1017206S

(12) **United States Design Patent**
Weeks

(10) **Patent No.:** **US D1,017,206 S**

(45) **Date of Patent:** **** Mar. 12, 2024**

(54) **SHOE MIDSOLE PERIPHERY**

FOREIGN PATENT DOCUMENTS

(71) Applicant: **Skechers U.S.A., Inc. II**, Manhattan Beach, CA (US)

CN 308051663 * 5/2023
CN 308066137 * 6/2023

(72) Inventor: **John Maxwell Weeks**, Playa Del Rey, CA (US)

OTHER PUBLICATIONS

(73) Assignee: **Skechers U.S.A., Inc. II**, Manhattan Beach, CA (US)

New Balance 993 Unboxing + On Foot, First available: Nov. 27, 2019 [online], [visited: Sep. 14, 2023] Available from the internet URL: <https://www.youtube.com/watch?v=v3ITwTTLmlg> (Year: 2019).*

(**) Term: **15 Years**

(Continued)

(21) Appl. No.: **29/879,494**

Primary Examiner — T Chase Nelson

(22) Filed: **Jul. 7, 2023**

Assistant Examiner — Jeff Lenard D Torres

(51) **LOC (14) Cl.** **02-04**

(74) *Attorney, Agent, or Firm* — Marshall A. Lerner; Steven J. Kim; KLEINBERG & LERNER, LLP

(52) **U.S. Cl.**
USPC **D2/947**

(57) **CLAIM**

(58) **Field of Classification Search**
USPC D2/896, 900, 902, 907, 946, 947, 948,
D2/949, 950, 951, 952, 953, 954, 955,
D2/956, 957, 958, 959, 960
CPC A43B 3/244; A43B 3/246; A43B 5/00;
A43B 5/06; A43B 5/10; A43B 13/12;
A43B 13/122; A43B 13/125; A43B
13/127
See application file for complete search history.

The ornamental design for a shoe midsole periphery, as shown and described.

DESCRIPTION

FIG. 1 is a front perspective view of a shoe midsole periphery in accordance with my new design; FIG. 2 is a bottom perspective view thereof; FIG. 3 is a front elevation view thereof; FIG. 4 is a rear elevation view thereof; FIG. 5 is a right side view thereof; FIG. 6 is a left side view thereof; FIG. 7 is a top plan view thereof; and, FIG. 8 is a bottom plan view thereof. Dash-dash broken lines shown in the drawing represent portions of the shoe midsole periphery as well as environmental structure in the form of a shoe upper and outsole bottom that form no part of the claimed design. Dash-dot broken lines (where shown) shows the lower boundary of the shoe midsole periphery and form no part of the claimed design.

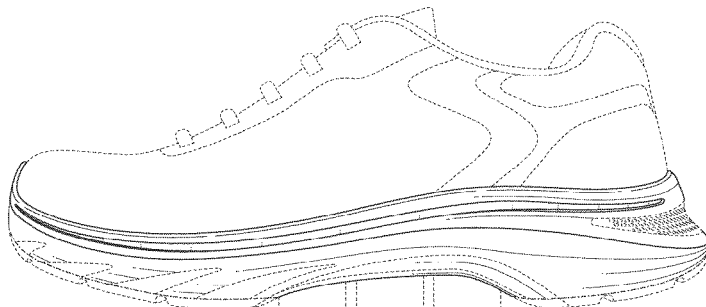
(56) **References Cited**

U.S. PATENT DOCUMENTS

D291,147 S	8/1987	Kelley et al.	
D297,981 S	10/1988	Gerber et al.	
D324,131 S *	2/1992	Lucas	D2/977
D424,284 S	5/2000	Von Conta et al.	
D475,509 S	6/2003	Avar	
D509,948 S	9/2005	Robinson, Jr. et al.	
D511,617 S	11/2005	Matis	
D599,102 S *	9/2009	Purdum	D2/977
D617,983 S *	6/2010	Raysse	D2/977
D624,735 S *	10/2010	Raysse	D2/947
D625,088 S *	10/2010	Teteriatnikov	D2/947
D628,368 S *	12/2010	Raysse	D2/977

(Continued)

1 Claim, 7 Drawing Sheets



(56)

References Cited

U.S. PATENT DOCUMENTS

D640,862 S * 7/2011 Teteriatnikov D2/977
 D642,776 S * 8/2011 Raysse D2/977
 D643,189 S 8/2011 Teteriatnikov
 D661,879 S 6/2012 Raysse
 D666,795 S * 9/2012 Shaffer D2/947
 D680,308 S * 4/2013 Hardman D2/947
 D710,579 S * 8/2014 Williams, Jr. D2/947
 D723,773 S 3/2015 Raysse
 D748,383 S 2/2016 Raysse
 D770,740 S 11/2016 Teteriatnikov
 D798,558 S * 10/2017 Pauk D2/947
 D800,430 S 10/2017 Møller Hansen
 D819,942 S 6/2018 Cin et al.
 D834,292 S 11/2018 Hernandez
 D834,795 S 12/2018 Vasyli et al.
 D834,800 S 12/2018 Raysse
 D844,306 S * 4/2019 Hobson D2/951
 D889,798 S 7/2020 Vella
 D894,543 S 9/2020 López Calí
 D909,720 S * 2/2021 Schenone D2/947
 D911,681 S * 3/2021 Schenone D2/947
 D918,548 S 5/2021 Bracalente
 D935,756 S 11/2021 Sartori
 D938,154 S 12/2021 Dobson et al.
 D944,503 S 3/2022 Ammon et al.
 D963,998 S 9/2022 Li
 D965,266 S 10/2022 Kanata
 D969,470 S 11/2022 Mohamed et al.

D974,716 S 1/2023 Hoang
 D985,912 S 5/2023 Lai
 D992,249 S * 7/2023 Head D2/947
 D996,006 S * 8/2023 Le D2/947

OTHER PUBLICATIONS

APL Streamline Review!, First available: Aug. 3, 2021 [online], [visited: Sep. 14, 2023] Available from the internet URL: <https://www.youtube.com/watch?v=wzIYbJhJrOM> (Year: 2021).*

Merrell Embark Lace, First available: Apr. 28, 2022 [online], [visited: Sep. 14, 2023] Available from the internet URL: <https://www.youtube.com/watch?v=ITf6jvcq3Gk> (Year: 2022).*

Moncler Lite Runner low-top Sneakers, First available: Oct. 16, 2022 [online], [visited: Sep. 14, 2023] Available from the internet URL: <https://www.farfetch.com/au/shopping/men/moncler-lite-runner-low-top-sneakers-item-19177838.aspx> (Year: 2022).*

Adidas Astir SN Shoes, First available: Feb. 15, 2023 [online], [visited: Sep. 14, 2023] Available from the internet URL: <https://www.adidas.com/us/astir-sn-shoes/HQ4378.html> (Year: 2023).*

Whitin Men's Max Cushioned Running Shoes, First available: Aug. 10, 2020 [online], [visited: Nov. 16, 2023] Available from the internet URL: https://www.amazon.com/dp/B08952Y2PJ?ref_=cm_sw_r_cp_ud_dp_80R216V8T81XB2MMSTV1 (Year: 2020).*

Hoka Bondi 8 Review, First available: Aug. 15, 2022 [online], [visited: Nov. 16, 2023] Available from the internet URL: <https://www.youtube.com/watch?v=SK0oJkS24fM> (Year: 2022).*

* cited by examiner



FIG. 1

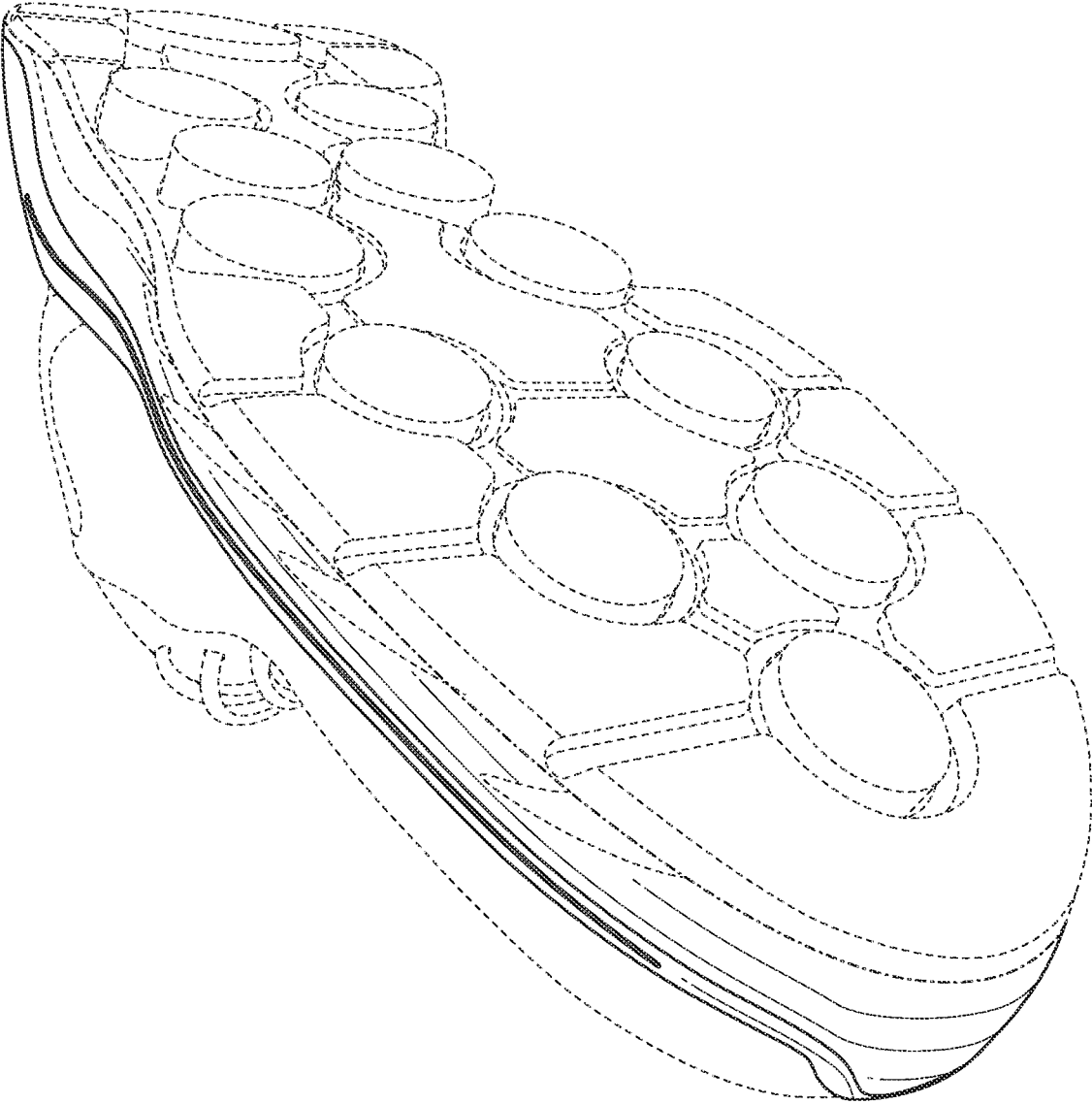


FIG. 2

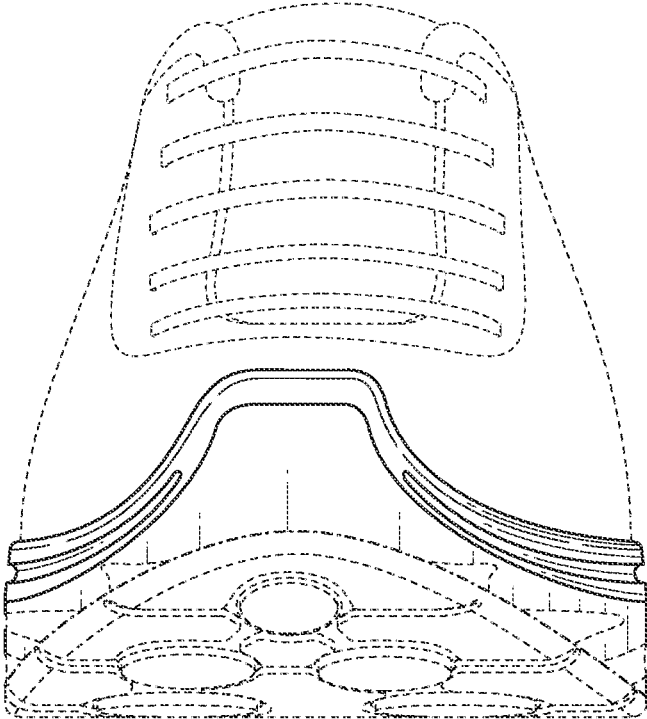


FIG. 3

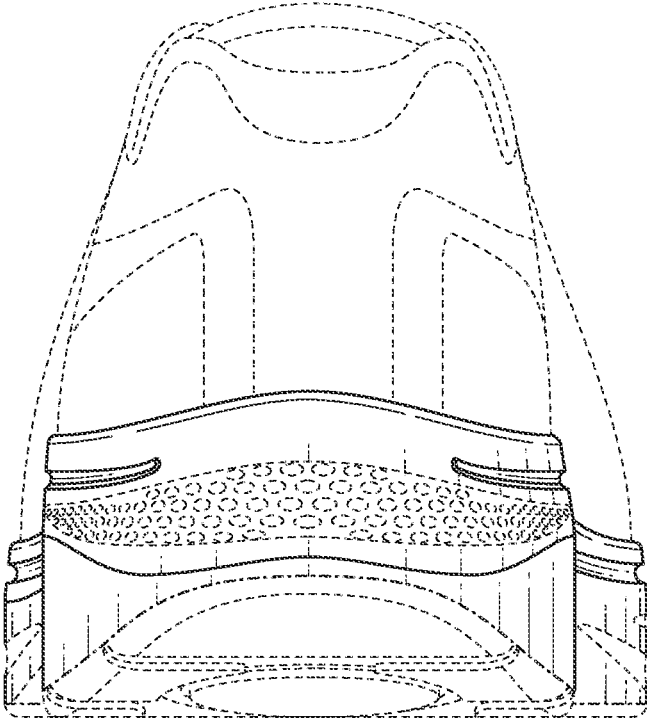


FIG. 4

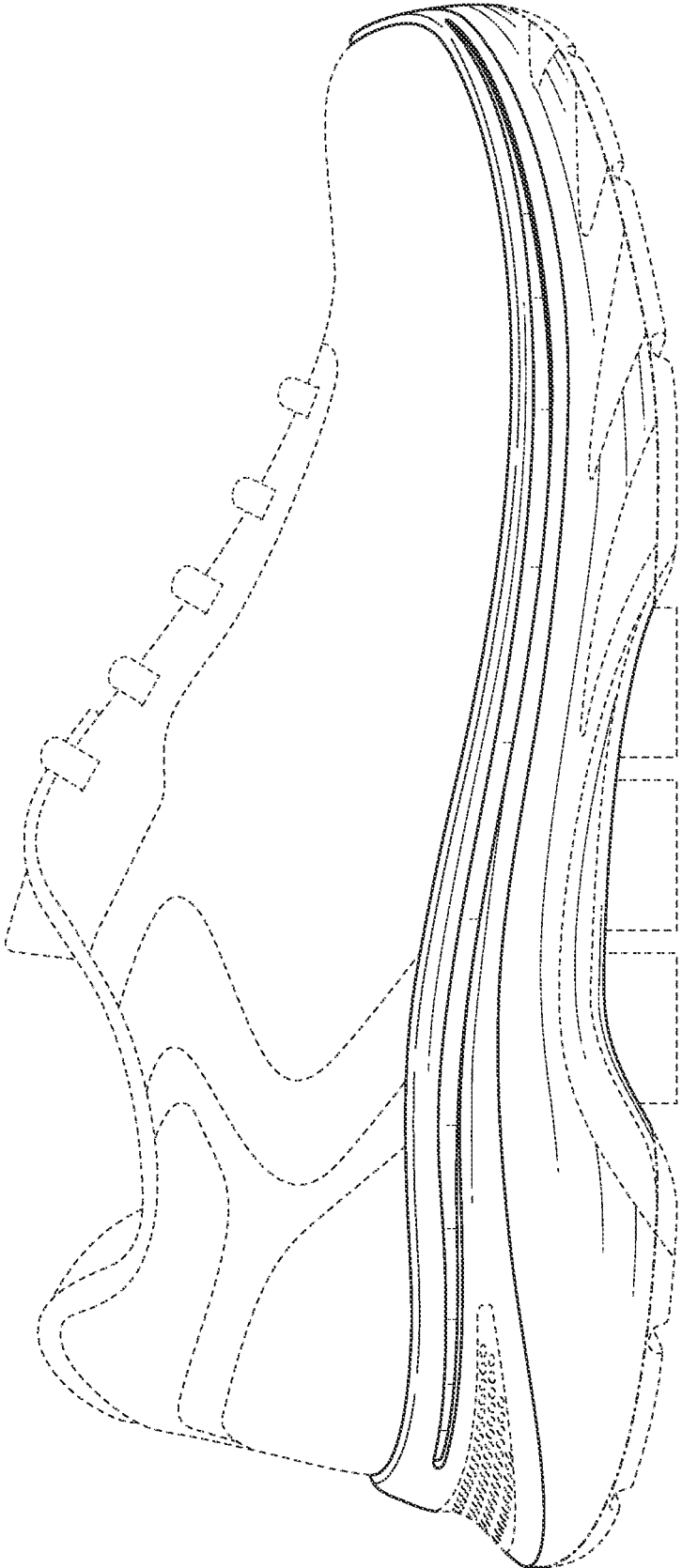


FIG. 5

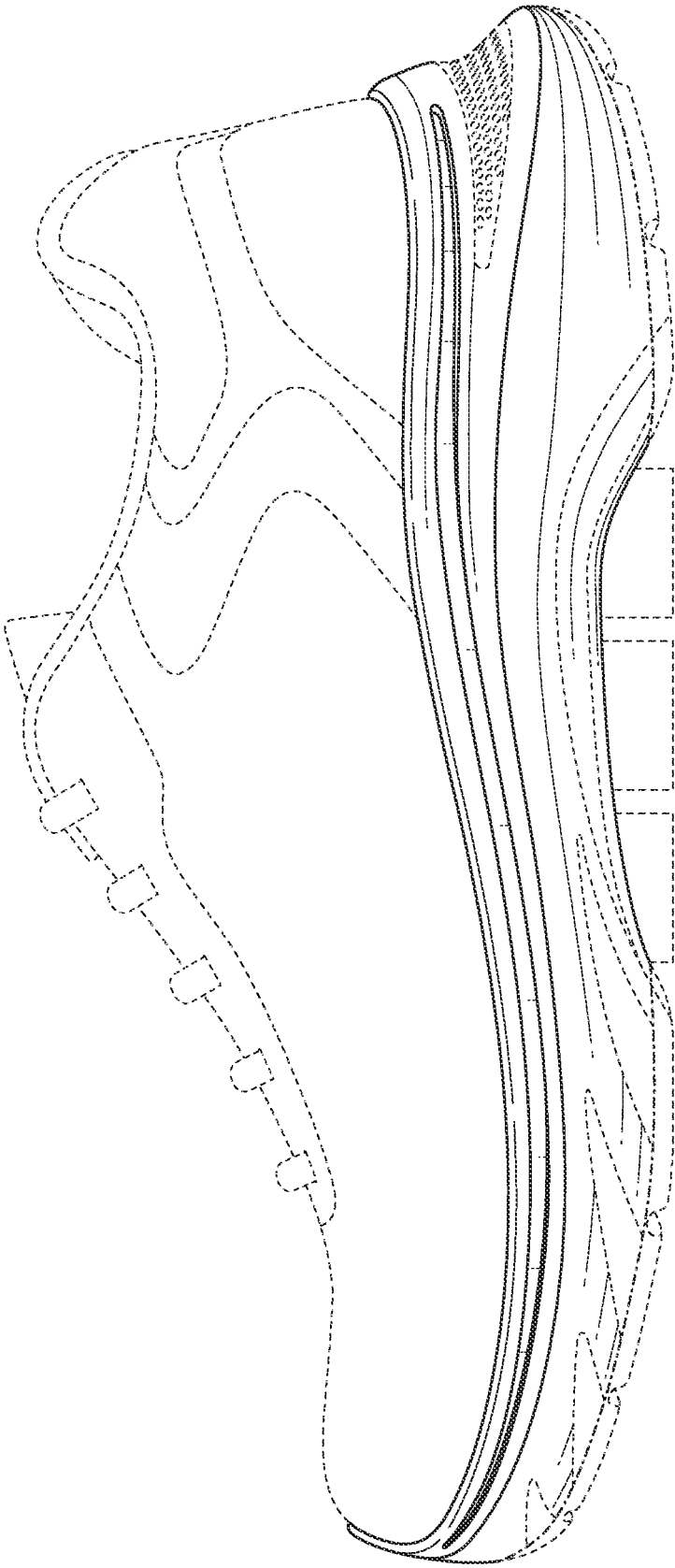


FIG. 6

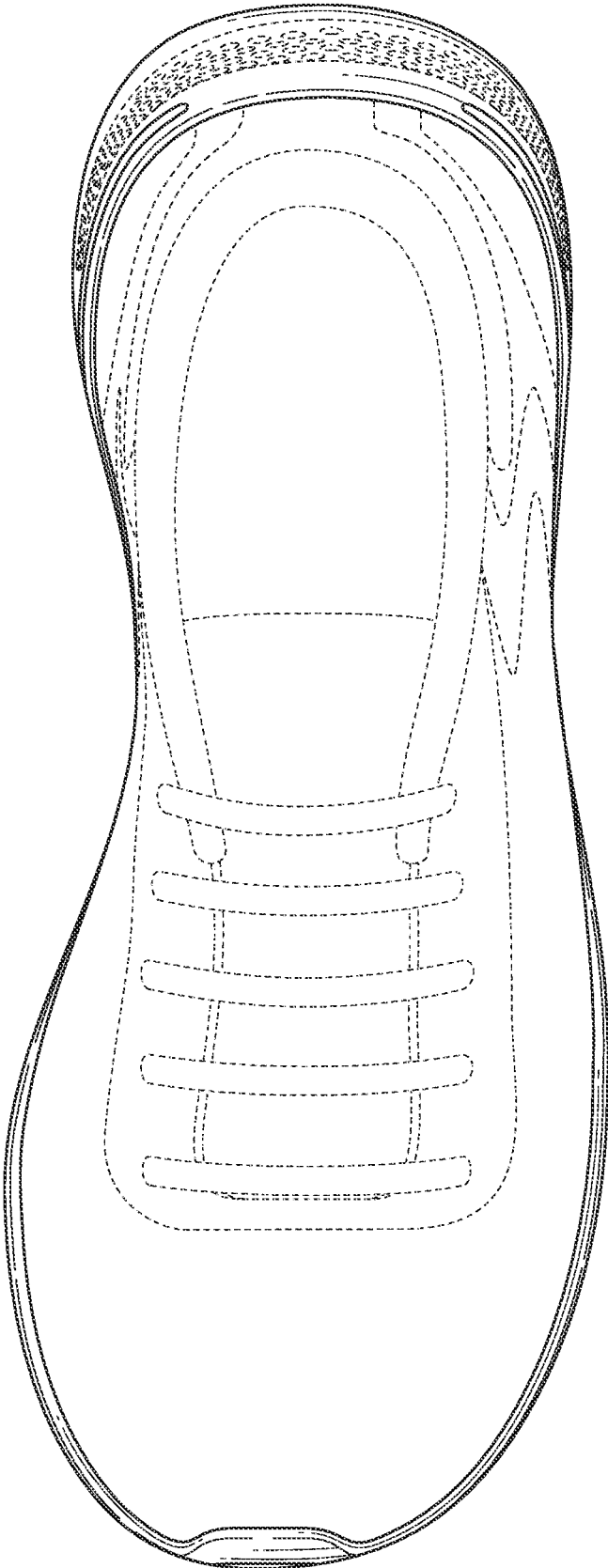


FIG. 7

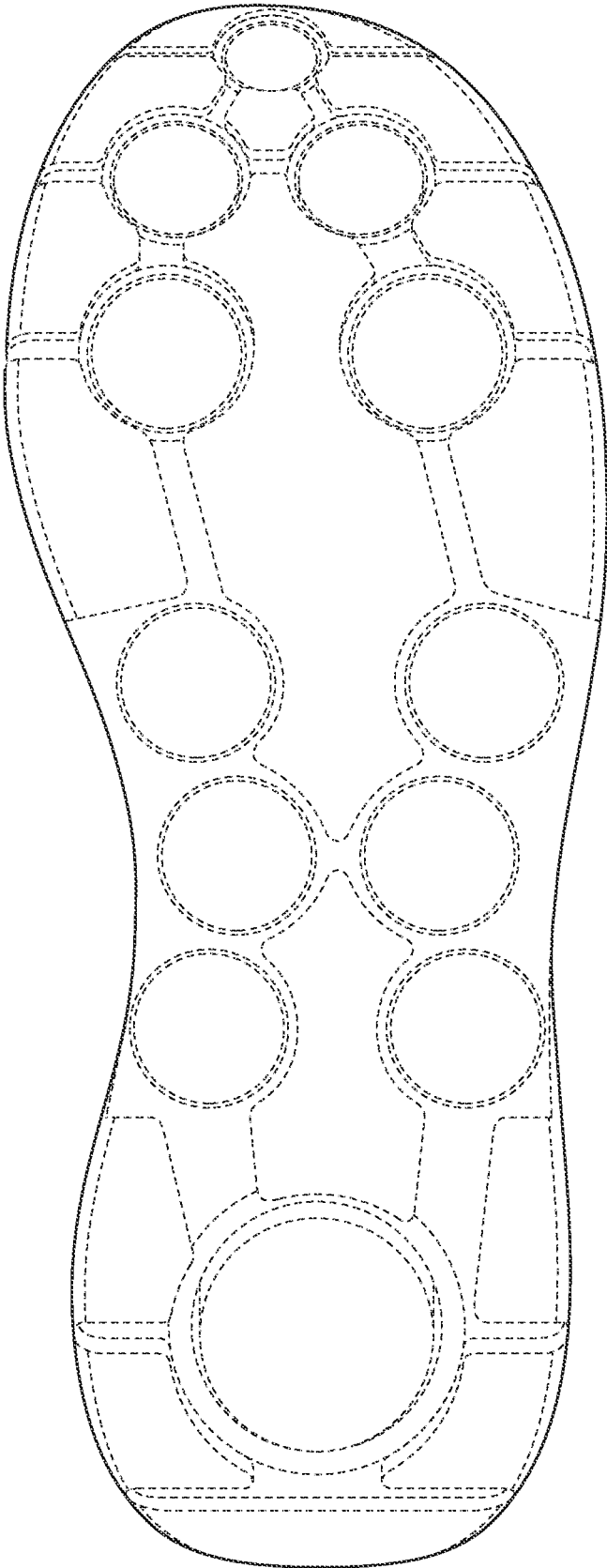


FIG. 8