

CORRECTED VERSION

(19) World Intellectual Property Organization
International Bureau



(10) International Publication Number
WO 2017/156420 A8

(43) International Publication Date
14 September 2017 (14.09.2017)

(51) International Patent Classification:

A61G 10/00 (2006.01) *E04H 5/00* (2006.01)
B01J 19/00 (2006.01) *E04H 5/02* (2006.01)
B01L 1/00 (2006.01) *F24F 3/16* (2006.01)
E04H 3/08 (2006.01)

(71) Applicant: **LONZA LTD** [CH/CH]; Lonzastrasse, 3930 Visp (CH).

(72) Inventor; and

(71) Applicant (for US only): **FORTIN, Jonathan** [—/US]; 101 International Dr, Portsmouth, NH 03801 (US).

(21) International Application Number:

PCT/US2017/021838

(72) Inventors: **WOOD, Lesley**; Lonzastrasse, 3930 Visp (CH). **WIDMER, Stefan**; Lonzastrasse, 3930 Visp (CH). **CARBONNEAU, Sandra**; 101 International Dr, Portsmouth, NH 03801 (US). **ZAHIRI, Alexander**; Lonzastrasse, 3930 Visp (CH).

(22) International Filing Date:

10 March 2017 (10.03.2017)

(25) Filing Language:

English

(26) Publication Language:

English

(74) Agent: **COLLAZO, Diana, M.** et al.; Lando & Anastasi, LLP, Riverfront Office Park, One Main Street, Suite 1100, Cambridge, MA 02142 (US).

(30) Priority Data:

62/306,556 10 March 2016 (10.03.2016) US

(54) Title: CUSTOMIZABLE FACILITY

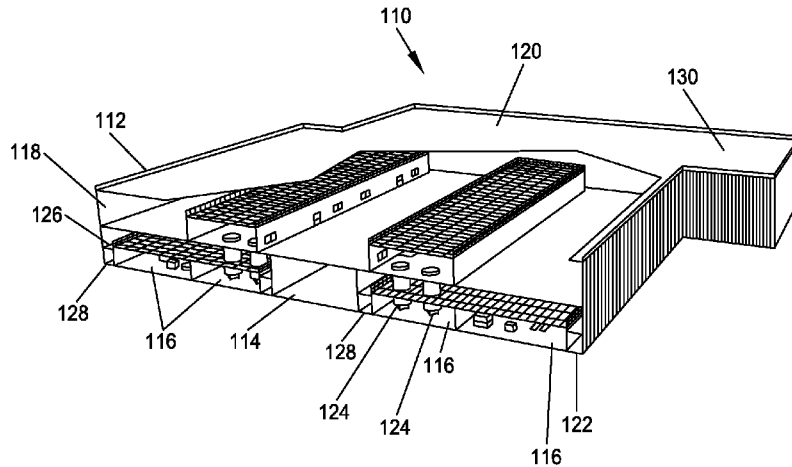


FIG. 4

WO 2017/156420 A8

(57) Abstract: A customizable facility for manufacturing at least one product has at least one modular unit in communication with at least one central unit configured to provide utilities to the at least one modular unit. In some embodiments, the central unit(s) and modular unit(s) are positioned at least partially within a shell. Each modular unit can be a fermentation unit, a pre-viral unit, a post-viral unit, a utility space, a warehouse, a media buffer facility, an office, a personnel unit, or another unit. The modular units can be arranged to maximize a number of modular units within the shell while minimizing a footprint of the shell. A method of assembling a facility for manufacturing at least one product includes providing at least one central unit and providing at least one modular unit in communication with the central unit(s) such that utilities are provided by the central unit(s) to the modular unit(s).

(81) Designated States (*unless otherwise indicated, for every kind of national protection available*): AE, AG, AL, AM, AO, AT, AU, AZ, BA, BB, BG, BH, BN, BR, BW, BY, BZ, CA, CH, CL, CN, CO, CR, CU, CZ, DE, DJ, DK, DM, DO, DZ, EC, EE, EG, ES, FI, GB, GD, GE, GH, GM, GT, HN, HR, HU, ID, IL, IN, IR, IS, JP, KE, KG, KH, KN, KP, KR, KW, KZ, LA, LC, LK, LR, LS, LU, LY, MA, MD, ME, MG, MK, MN, MW, MX, MY, MZ, NA, NG, NI, NO, NZ, OM, PA, PE, PG, PH, PL, PT, QA, RO, RS, RU, RW, SA, SC, SD, SE, SG, SK, SL, SM, ST, SV, SY, TH, TJ, TM, TN, TR, TT, TZ, UA, UG, US, UZ, VC, VN, ZA, ZM, ZW.

(84) Designated States (*unless otherwise indicated, for every kind of regional protection available*): ARIPO (BW, GH, GM, KE, LR, LS, MW, MZ, NA, RW, SD, SL, ST, SZ, TZ, UG, ZM, ZW), Eurasian (AM, AZ, BY, KG, KZ, RU, TJ, TM), European (AL, AT, BE, BG, CH, CY, CZ, DE, DK, EE, ES, FI, FR, GB, GR, HR, HU, IE, IS, IT, LT, LU, LV, MC, MK, MT, NL, NO, PL, PT, RO, RS, SE, SI, SK, SM, TR), OAPI (BF, BJ, CF, CG, CI, CM, GA, GN, GQ, GW, KM, ML, MR, NE, SN, TD, TG).

Declarations under Rule 4.17:

- *as to applicant's entitlement to apply for and be granted a patent (Rule 4.17(ii))*
- *as to the applicant's entitlement to claim the priority of the earlier application (Rule 4.17(iii))*

Published:

- *with international search report (Art. 21(3))*

(48) Date of publication of this corrected version:

11 October 2018 (11.10.2018)

(15) Information about Correction:

see Notice of 11 October 2018 (11.10.2018)