



US00D754240S

(12) **United States Design Patent**
Samuels et al.

(10) **Patent No.:** **US D754,240 S**

(45) **Date of Patent:** **** Apr. 19, 2016**

(54) **CAMERA FILTER**

(71) Applicants: **Rudy Lucas Samuels**, Mill Valley, CA (US); **Jesse Baker**, San Mateo, CA (US); **Joshua Clyne**, San Mateo, CA (US)

(72) Inventors: **Rudy Lucas Samuels**, Mill Valley, CA (US); **Jesse Baker**, San Mateo, CA (US); **Joshua Clyne**, San Mateo, CA (US)

(73) Assignee: **GoPro, Inc.**, San Mateo, CA (US)

(**) Term: **14 Years**

(21) Appl. No.: **29/437,109**

(22) Filed: **Nov. 13, 2012**

(51) **LOC (10) Cl.** **16-05**

(52) **U.S. Cl.**
USPC **D16/237; D16/219**

(58) **Field of Classification Search**
USPC D3/267, 263, 268; D16/200, 202–204, D16/208, 211, 218, 219, 237, 242; 248/176.1, 187.1; 348/81, 360, 348/373–376, 835; 396/25, 27–29, 419, 396/535, 539–541; 206/316.2; D9/435, D9/445, 453
CPC G03B 15/03; G03B 17/02; G03B 17/04; G03B 17/08; G03B 17/56; G03B 19/04; H04N 5/2251; H04N 5/2252; H04N 5/2253; H04N 5/2254; A45C 11/38
See application file for complete search history.

(56) **References Cited**

U.S. PATENT DOCUMENTS

D419,296	S	*	1/2000	Shinano	D3/267
D425,092	S	*	5/2000	Eto et al.	D16/208
D460,474	S	*	7/2002	Gotham et al.	D16/219
D540,669	S	*	4/2007	George et al.	D9/435
D605,941	S	*	12/2009	Leonardis	D9/435
7,653,292	B2	*	1/2010	Yamaguchi et al.	396/28

D621,432	S	*	8/2010	Yim	D16/204
D622,591	S	*	8/2010	Biesecker et al.	D9/435
D642,054	S	*	7/2011	Samartgis	D9/435
D646,313	S	*	10/2011	Woodman	D16/200
D647,554	S	*	10/2011	Yim	D16/204
D657,808	S	*	4/2012	Woodman	D16/200
D674,429	S	*	1/2013	Woodman	D16/218
D702,747	S	*	4/2014	Woodman et al.	D16/200
D702,754	S	*	4/2014	Bould et al.	D16/237
2007/0071423	A1	*	3/2007	Fantone et al.	396/27
2009/0317069	A1	*	12/2009	Yim	396/27

* cited by examiner

Primary Examiner — Adir Aronovich

Assistant Examiner — Ramzi Almatrahi

(74) *Attorney, Agent, or Firm* — Fenwick & West LLP

(57) **CLAIM**

The ornamental design for a camera filter, as shown and described.

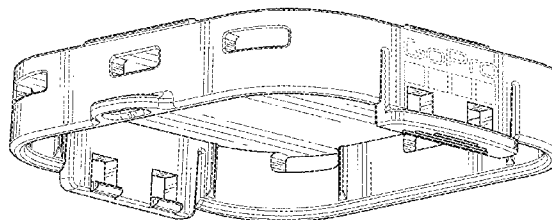
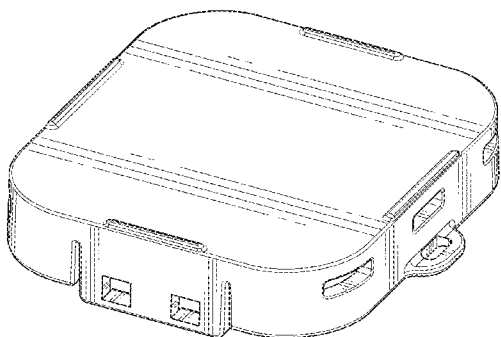
DESCRIPTION

FIG. 1 is a front, bottom and left side perspective view of a camera filter showing our new design; FIG. 2 is a front, top and right side perspective view thereof; FIG. 3 is a rear, top and left side perspective view thereof; FIG. 4 is a rear, bottom and right side perspective view thereof; FIG. 5 is a front elevational view thereof; FIG. 6 is a rear elevational view thereof; FIG. 7 is a bottom plan view thereof; FIG. 8 is a top plan view thereof; FIG. 9 is a right side elevational view thereof; and, FIG. 10 is a left side elevational view thereof.

The broken lines depict portions of a camera filter in which the design is embodied and form no part of the claimed design.

The “GoPro” mark shown in FIGS. 2, 4, and 9 is a registered trademark of GoPro Inc. The “GoPro” mark forms no part of the claimed design.

1 Claim, 3 Drawing Sheets



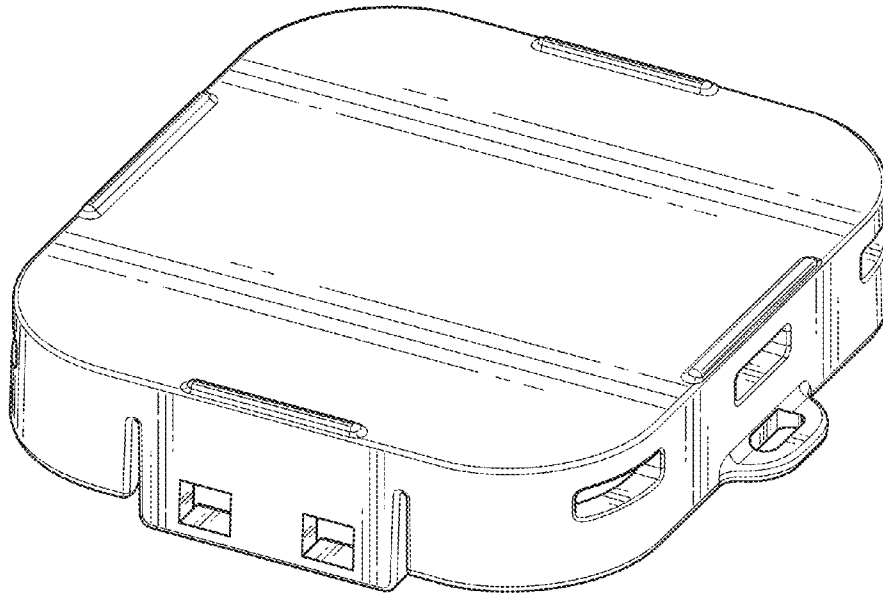


FIG. 1

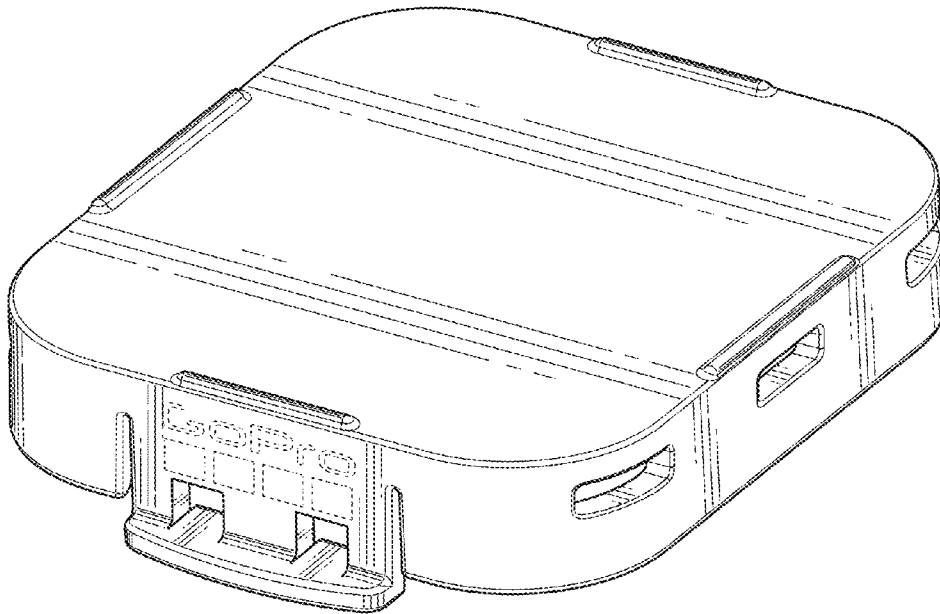


FIG. 2

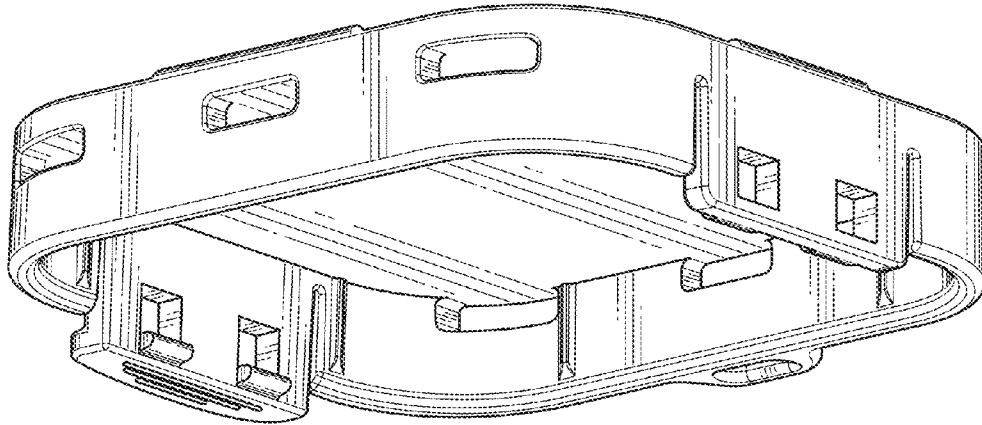


FIG. 3

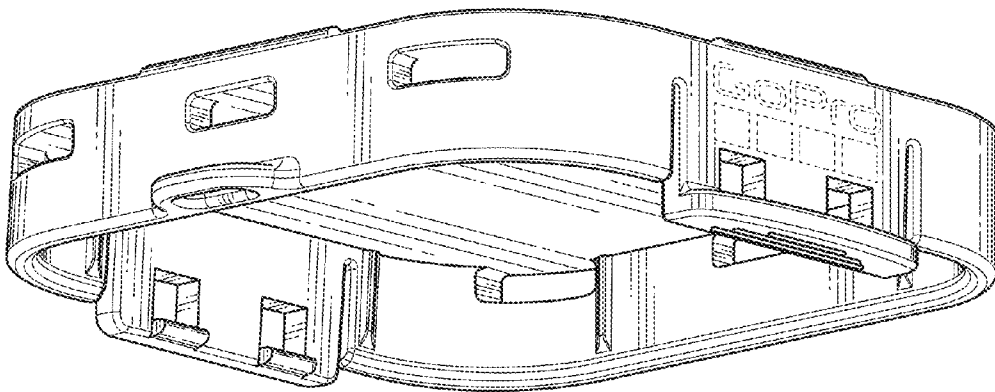


FIG. 4

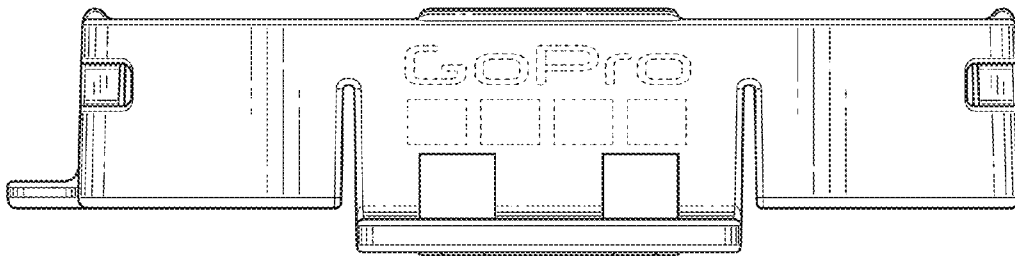


FIG. 9

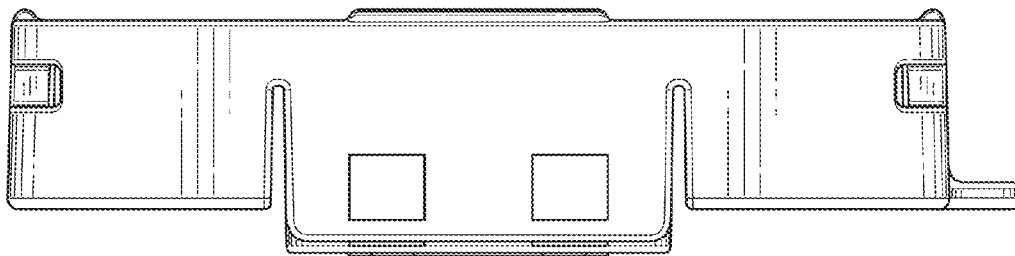


FIG. 10