



US00D509502S

(12) **United States Design Patent**
Penke et al.

(10) **Patent No.:** **US D509,502 S**

(45) **Date of Patent:** **** Sep. 13, 2005**

(54) **INPUT TOWER FOR A COMMUNITY COMMUNICATION HUB KIOSK**

6,078,848 A * 6/2000 Bernstein et al. 700/237
D455,536 S * 4/2002 Lowe D99/28
D461,505 S * 8/2002 Bain et al. D20/10
D474,766 S * 5/2003 Perscky de Fabrega ... D14/302

(75) Inventors: **Mark S. Penke**, West Henrietta, NY (US); **Donald A. Brown**, Honeoye Falls, NY (US)

* cited by examiner

Primary Examiner—Freda S. Nunn

(73) Assignee: **Xerox Corporation**, Stamford, CT (US)

(74) *Attorney, Agent, or Firm*—Tallam I. Nguti

(**) Term: **14 Years**

(57) **CLAIM**

(21) Appl. No.: **29/192,796**

The ornamental design for an input tower for a community communication hub kiosk, as shown and described.

(22) Filed: **Oct. 30, 2003**

DESCRIPTION

(51) **LOC (8) Cl.** **14-02**

FIG. 1 is a perspective view of an input tower for a community communication hub kiosk of the present invention;

(52) **U.S. Cl.** **D14/302**

FIG. 2 is a right side view thereof;

(58) **Field of Search** D14/302-312;

FIG. 3 is a front view thereof;

D20/10; D99/28; 360/99.01-99.12; 361/690-696;

FIG. 4 is a left side view thereof; and,

700/237

FIG. 5 is a top plan view thereof.

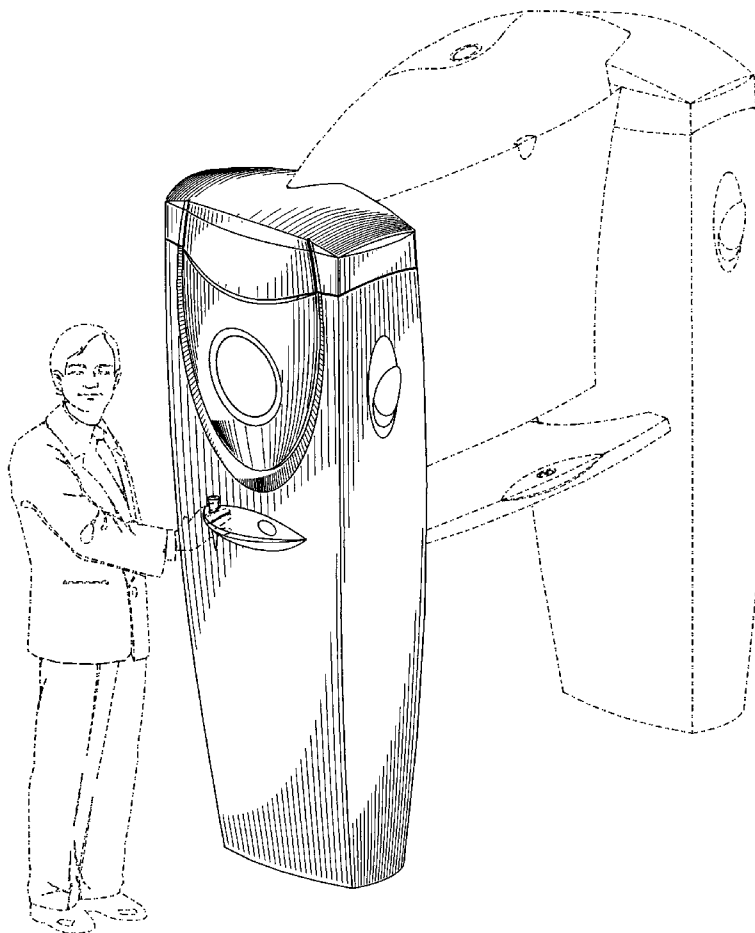
The broken lines showing in FIGS. 1-5 are for illustrative purposes only and do not form part of the claimed design.

(56) **References Cited**

U.S. PATENT DOCUMENTS

D388,230 S * 12/1997 Quinn D99/28

1 Claim, 5 Drawing Sheets



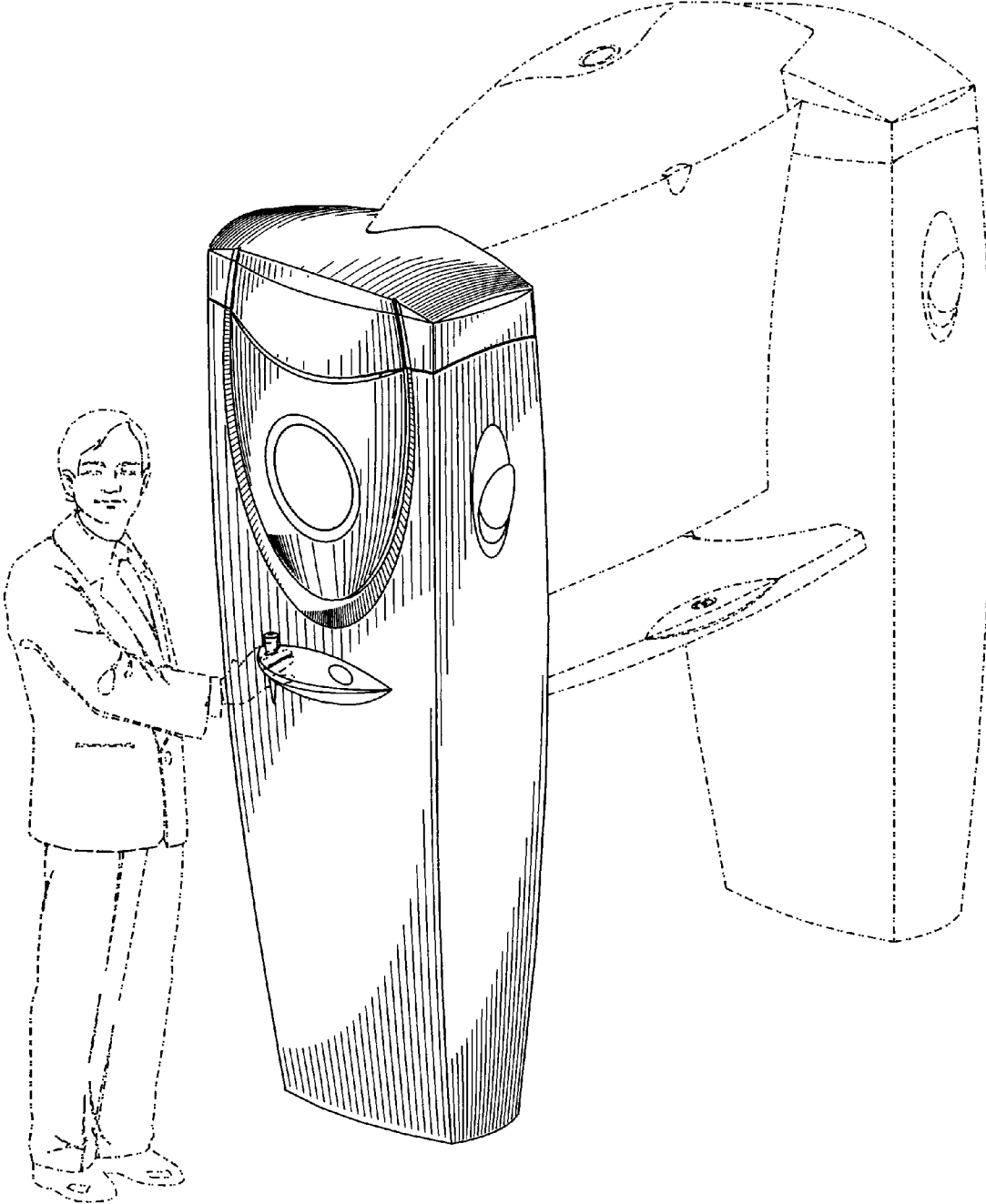


FIG. 1

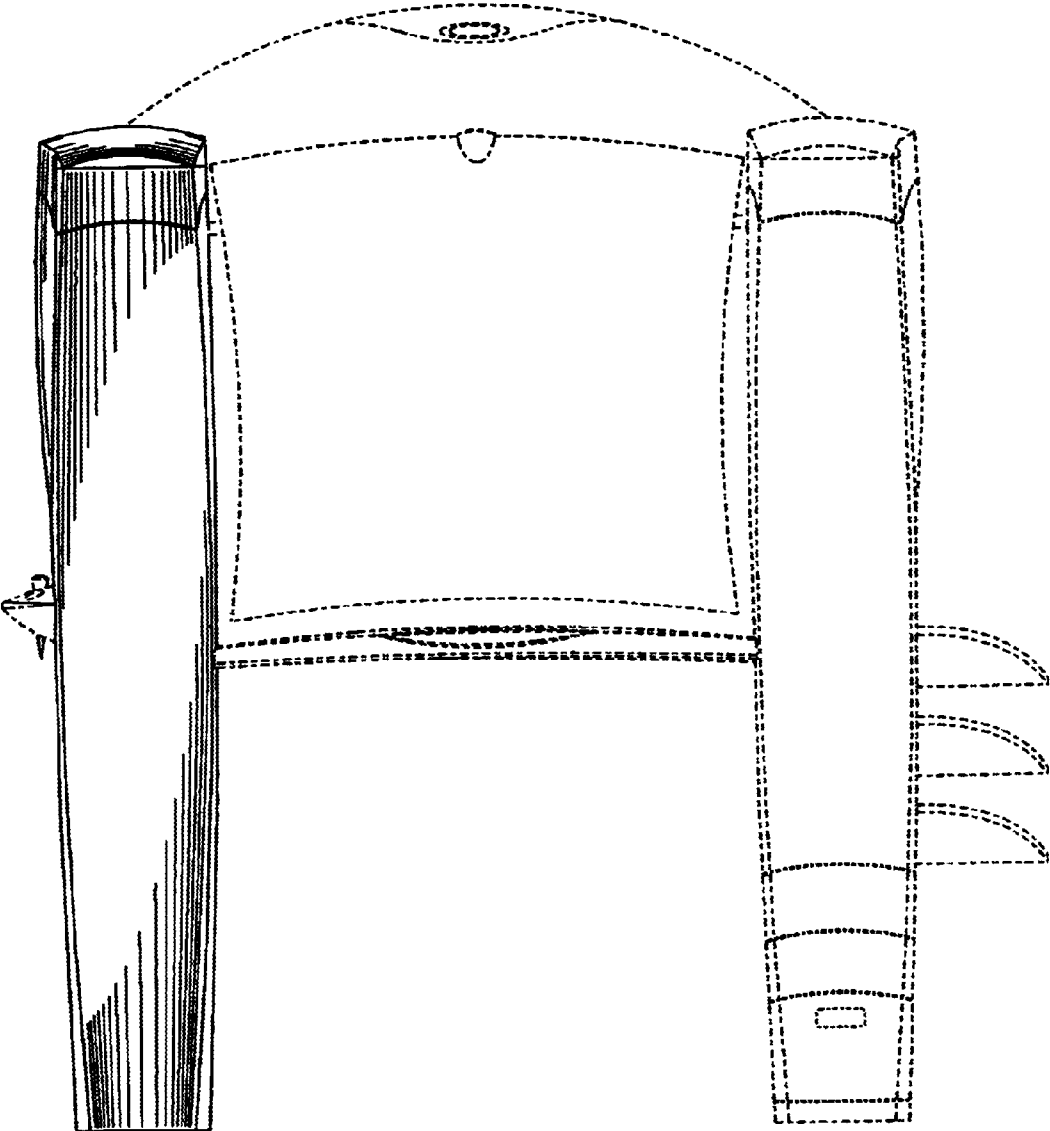


FIG. 2

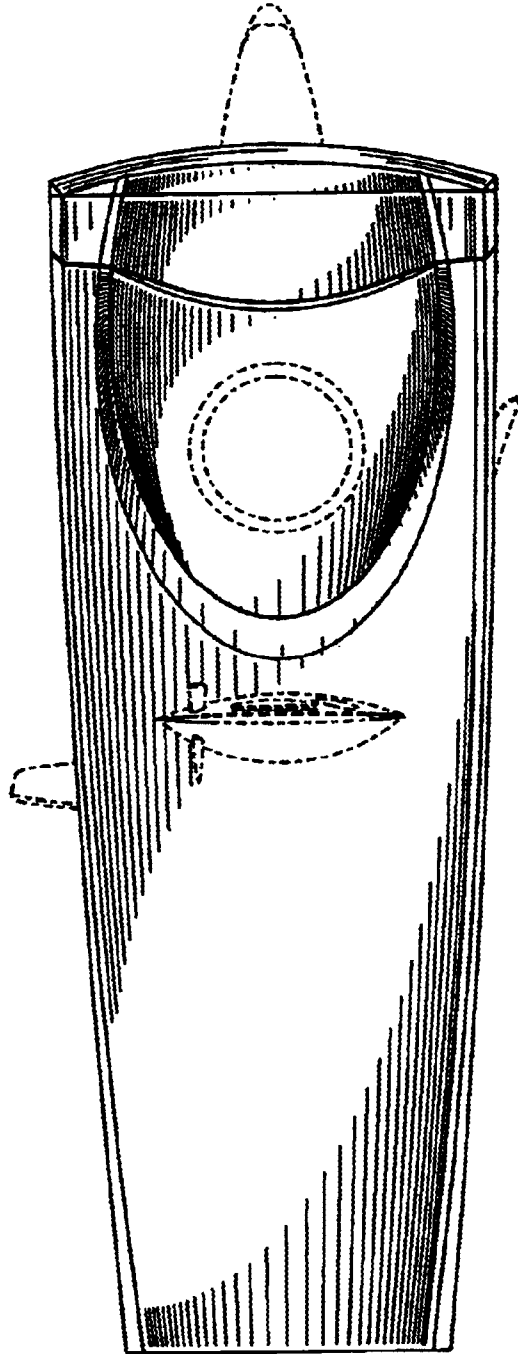


FIG. 3

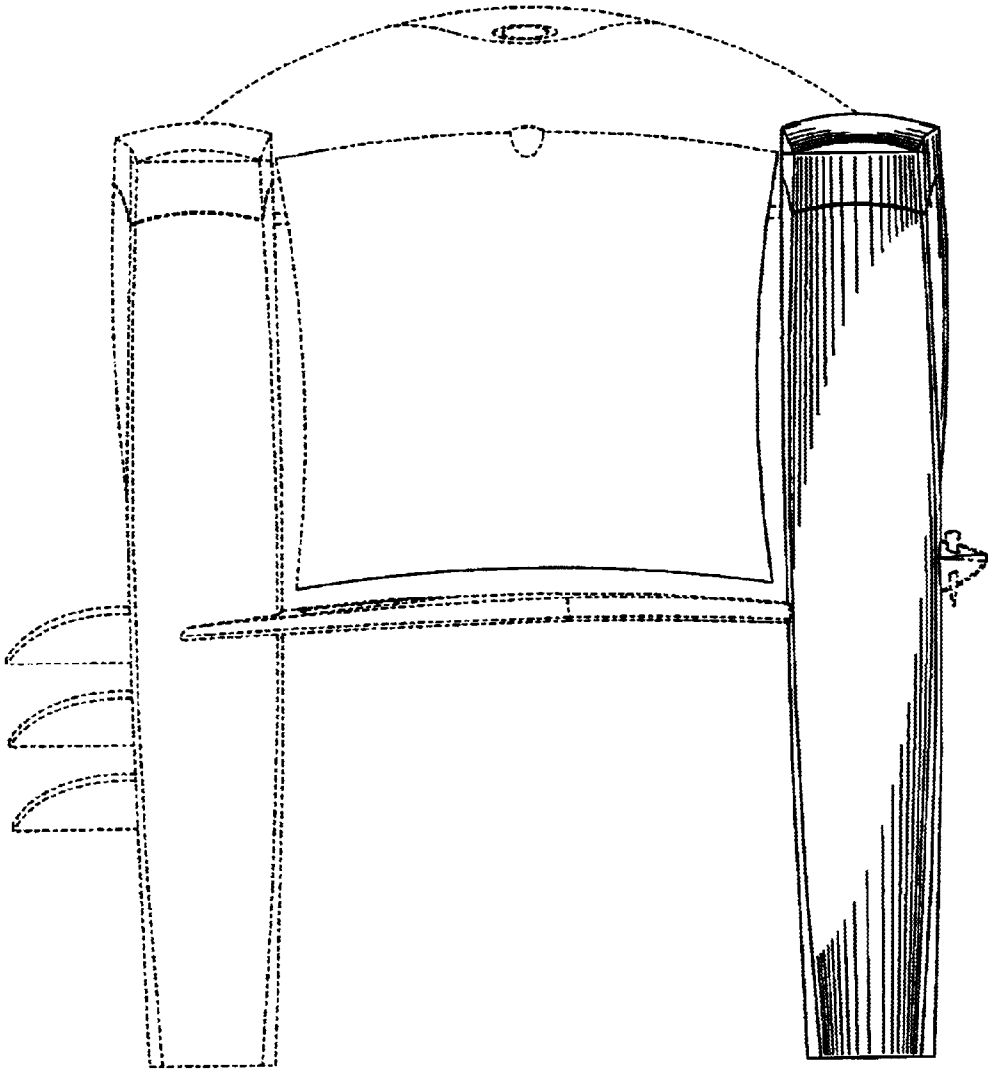


FIG. 4

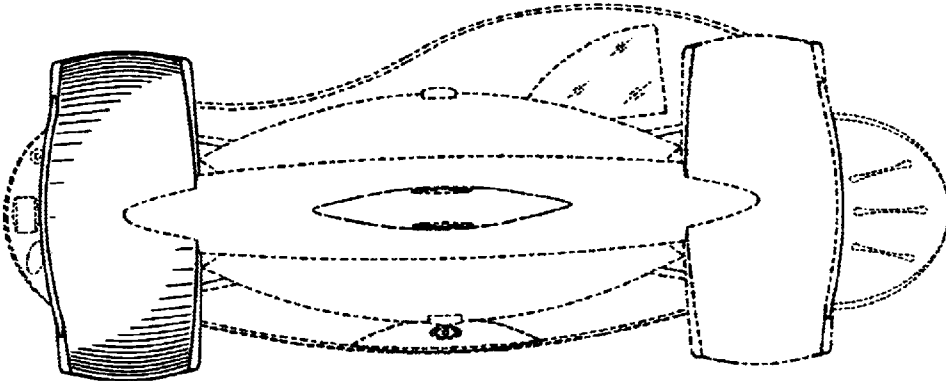


FIG. 5