

(19) World Intellectual Property Organization  
International Bureau



(43) International Publication Date  
26 January 2006 (26.01.2006)

PCT

(10) International Publication Number  
**WO 2006/010074 A3**

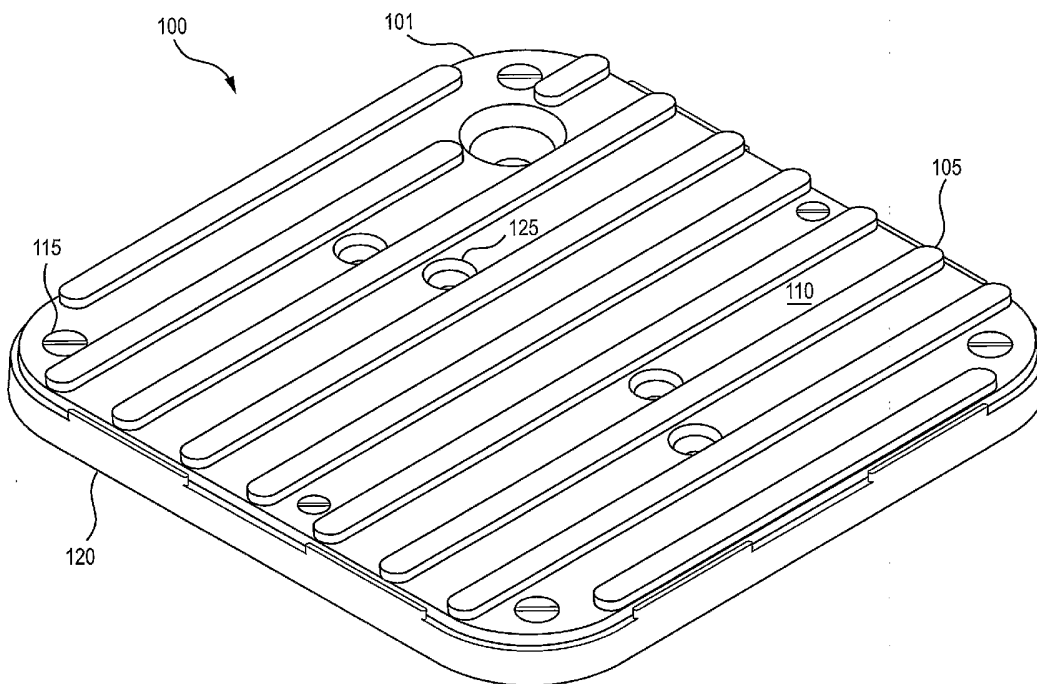
- (51) International Patent Classification:  
*B63C 7/00* (2006.01)
- (21) International Application Number:  
PCT/US2005/024425
- (22) International Filing Date: 11 July 2005 (11.07.2005)
- (25) Filing Language: English
- (26) Publication Language: English
- (30) Priority Data:  
60/586,413 9 July 2004 (09.07.2004) US
- (71) Applicant (for all designated States except US): **G & F Industries** [US/US]; Route 20, P.O. Box 515, Sturbridge, MA 01566 (US).
- (72) Inventor; and
- (75) Inventor/Applicant (for US only): **ARGITIS, John J.** [US/US]; Route 20, P.O. Box 515, Sturbridge, MA 01566 (US).
- (74) Agent: **LATTIG, Matthew J.; HARNESS, DICKEY & PIERCE, P.L.C.**, P.O. Box 8910, Reston, Virginia 20195 (US).

- (81) Designated States (unless otherwise indicated, for every kind of national protection available): AE, AG, AL, AM, AT, AU, AZ, BA, BB, BG, BR, BW, BY, BZ, CA, CH, CN, CO, CR, CU, CZ, DE, DK, DM, DZ, EC, EE, EG, ES, FI, GB, GD, GE, GH, GM, HR, HU, ID, IL, IN, IS, JP, KE, KG, KM, KP, KR, KZ, LC, LK, LR, LS, LT, LU, LV, MA, MD, MG, MK, MN, MW, MX, MZ, NA, NG, NI, NO, NZ, OM, PG, PH, PL, PT, RO, RU, SC, SD, SE, SG, SK, SL, SM, SY, TJ, TM, TN, TR, TT, TZ, UA, UG, US, UZ, VC, VN, YU, ZA, ZM, ZW.
- (84) Designated States (unless otherwise indicated, for every kind of regional protection available): ARIPO (BW, GH, GM, KE, LS, MW, MZ, NA, SD, SL, SZ, TZ, UG, ZM, ZW), Eurasian (AM, AZ, BY, KG, KZ, MD, RU, TJ, TM), European (AT, BE, BG, CH, CY, CZ, DE, DK, EE, ES, FI, FR, GB, GR, HU, IE, IS, IT, LT, LU, LV, MC, NL, PL, PT, RO, SE, SI, SK, TR), OAPI (BF, BJ, CF, CG, CI, CM, GA, GN, GQ, GW, ML, MR, NE, SN, TD, TG).

- Published:**
- with international search report
  - before the expiration of the time limit for amending the claims and to be republished in the event of receipt of amendments

[Continued on next page]

(54) Title: BOAT PAD AND PAD ASSEMBLY



(57) Abstract: A boat pad may include a planar member composed of an elastomeric, rubber or like material. The planar member may include a plurality of spaced-apart raised features formed on a surface thereof and which are configured to contact a surface of a water vessel hull as the hull is being supported by a boat stand or boat trailer including the pad.

WO 2006/010074 A3



---

**(88) Date of publication of the international search report:**

24 August 2006

*For two-letter codes and other abbreviations, refer to the "Guidance Notes on Codes and Abbreviations" appearing at the beginning of each regular issue of the PCT Gazette.*

# INTERNATIONAL SEARCH REPORT

International application No.

PCT/US05/24425

**A. CLASSIFICATION OF SUBJECT MATTER**

IPC: B63C 7/00( 2006.01)

USPC: 114/44

According to International Patent Classification (IPC) or to both national classification and IPC

**B. FIELDS SEARCHED**

Minimum documentation searched (classification system followed by classification symbols)  
 U.S. : 114/44, 45, 48, 219, 344, 364; 280/414; 409/3, 7; 428/119, 474/185

Documentation searched other than minimum documentation to the extent that such documents are included in the fields searched

Electronic data base consulted during the international search (name of data base and, where practicable, search terms used)

**C. DOCUMENTS CONSIDERED TO BE RELEVANT**

Category *	Citation of document, with indication, where appropriate, of the relevant passages	Relevant to claim No.
Y	US 6,610,382 B1 (KOBÉ et al) 26 August 2003, see entire document.	1-4,10,12-17
Y	US 5,076,603 A (GODBERSEN) 31 December 1991, see entire document.	1-4,10,12-17
Y	US 4,282,409 A (VAN TESLAAR) 18 August 1981, see entire document.	5-8,11
Y	US 5,290,124 A (PAVLESCAK) 01 March 1994, see entire document.	18-22
A	US 6,372,323 B1 (KOBÉ et al) 16 April 2002	

Further documents are listed in the continuation of Box C.


See patent family annex.

* Special categories of cited documents:	"T"	later document published after the international filing date or priority date and not in conflict with the application but cited to understand the principle or theory underlying the invention
"A" document defining the general state of the art which is not considered to be of particular relevance	"X"	document of particular relevance; the claimed invention cannot be considered novel or cannot be considered to involve an inventive step when the document is taken alone
"B" earlier application or patent published on or after the international filing date	"Y"	document of particular relevance; the claimed invention cannot be considered to involve an inventive step when the document is combined with one or more other such documents, such combination being obvious to a person skilled in the art
"L" document which may throw doubts on priority claim(s) or which is cited to establish the publication date of another citation or other special reason (as specified)	"&"	document member of the same patent family
"O" document referring to an oral disclosure, use, exhibition or other means		
"P" document published prior to the international filing date but later than the priority date claimed		

Date of the actual completion of the international search  
 12 June 2006 (12.06.2006)

Date of mailing of the international search report  
**28 JUN 2006**

Name and mailing address of the ISA/US  
 Mail Stop PCT, Attn: ISA/US  
 Commissioner of Patents  
 P.O. Box 1450  
 Alexandria, Virginia 22313-1450  
 Facsimile No. (571) 273-3201

Authorized officer  
  
 KENNETH J. DORNER  
 Telephone No. 571-272-3600