

United States Patent [19]

Ichikawa

[11] Patent Number: Des. 313,671

[45] Date of Patent: ** Jan. 8, 1991

[54] HAIR IRON

4,565,916 1/1986 Tsuji et al. 219/225

[76] Inventor: Masaharu Ichikawa, 44-11,
Matsubara, 1-chome, Setagayaku,
Tokyo, Japan

FOREIGN PATENT DOCUMENTS

2821036 5/1979 Fed. Rep. of Germany 219/225
0226770 9/1985 Fed. Rep. of Germany 219/225
50300 12/1954 Italy 219/225

[**] Term: 14 Years

[21] Appl. No.: 260,364

Primary Examiner—B. J. Bullock

Assistant Examiner—C. Tuttle

Attorney, Agent, or Firm—Collard, Roe & Galgano

[22] Filed: Oct. 20, 1988

[30] Foreign Application Priority Data

[57] CLAIM

Apr. 26, 1988 [JP] Japan 63-17022

The ornamental design for a hair iron, as shown and described.

[52] U.S. Cl. D28/35

[58] Field of Search D28/10, 35;
132/223-269; 219/222-225, 226

DESCRIPTION

[56] References Cited

FIG. 1 is a perspective view of a hair iron showing my new design;

FIG. 2 is a right side elevational view thereof; the side opposite being a mirror image of the side shown;

FIG. 3 is a front elevational view thereof;

FIG. 4 is a rear elevational view thereof;

FIG. 5 is a top plan view thereof; and

FIG. 6 is a bottom plan view thereof.

U.S. PATENT DOCUMENTS

D. 270,670 9/1983 Goto et al. D28/35
D. 289,089 3/1987 Muller et al. D28/35
D. 294,742 3/1988 Oberheim D28/35
1,691,244 11/1928 Hussey 132/232
4,233,999 11/1980 Thomas 132/232

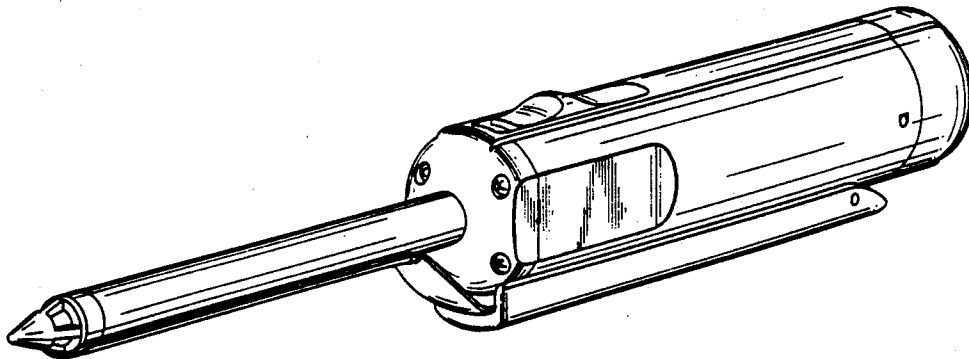


FIG. 1

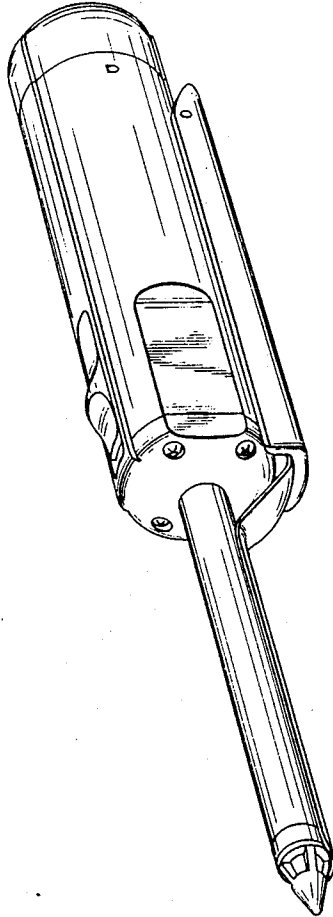
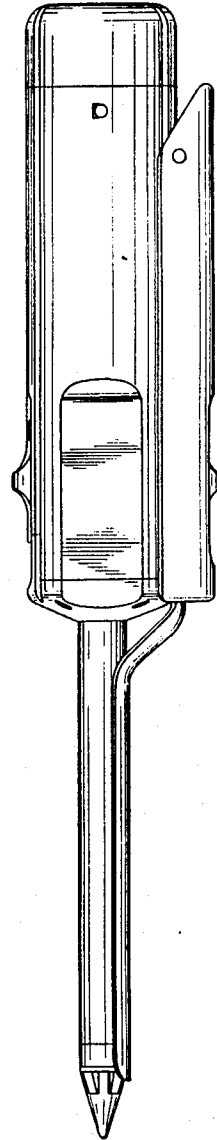


FIG. 2



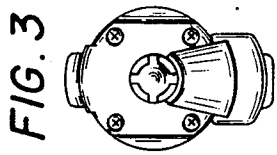
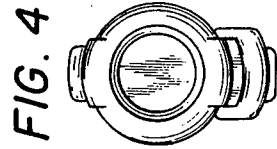


FIG. 5

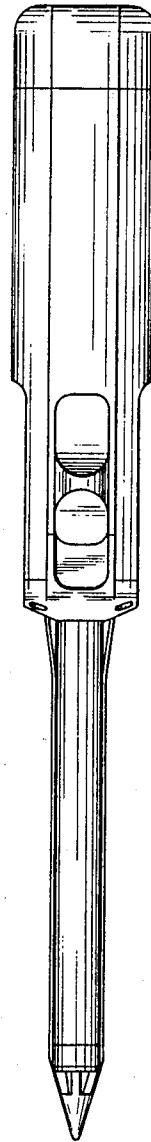


FIG. 6

