



(43) International Publication Date
27 November 2014 (27.11.2014)

- (51) International Patent Classification:
A47J 31/40 (2006.01) G01F 11/10 (2006.01)
A47J 31/44 (2006.01)
- (21) International Application Number:
PCT/NZ2014/000080
- (22) International Filing Date:
5 May 2014 (05.05.2014)
- (25) Filing Language: English
- (26) Publication Language: English
- (30) Priority Data:
610904 22 May 2013 (22.05.2013) NZ
619654 8 January 2014 (08.01.2014) NZ
- (72) Inventor; and
(71) Applicant : KING, Andrew, Trafford [NZ/NZ]; C/-
James & Wells Intellectual Property, Level 12, KPMG
Centre, 85 Alexandra Street, Hamilton, 3204 (NZ).
- (74) Agents: BROWN, Peter et al.; James & Wells Intellectual
Property, Private Bag 3140, Hamilton, 3240 (NZ).
- (81) Designated States (unless otherwise indicated, for every
kind of national protection available): AE, AG, AL, AM,
AO, AT, AU, AZ, BA, BB, BG, BH, BN, BR, BW, BY,

BZ, CA, CH, CL, CN, CO, CR, CU, CZ, DE, DK, DM,
DO, DZ, EC, EE, EG, ES, FI, GB, GD, GE, GH, GM, GT,
HN, HR, HU, ID, IL, IN, IR, IS, JP, KE, KG, KN, KP, KR,
KZ, LA, LC, LK, LR, LS, LT, LU, LY, MA, MD, ME,
MG, MK, MN, MW, MX, MY, MZ, NA, NG, NI, NO, NZ,
OM, PA, PE, PG, PH, PL, PT, QA, RO, RS, RU, RW, SA,
SC, SD, SE, SG, SK, SL, SM, ST, SV, SY, TH, TJ, TM,
TN, TR, TT, TZ, UA, UG, US, UZ, VC, VN, ZA, ZM,
ZW.

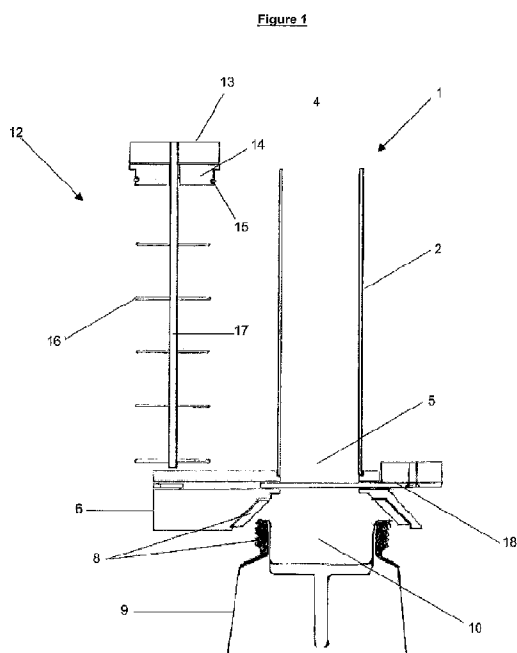
(84) Designated States (unless otherwise indicated, for every
kind of regional protection available): ARIPO (BW, GH,
GM, KE, LR, LS, MW, MZ, NA, RW, SD, SL, SZ, TZ,
UG, ZM, ZW), Eurasian (AM, AZ, BY, KG, KZ, RU, TJ,
TM), European (AL, AT, BE, BG, CH, CY, CZ, DE, DK,
EE, ES, FI, FR, GB, GR, HR, HU, IE, IS, IT, LT, LU, LV,
MC, MK, MT, NL, NO, PL, PT, RO, RS, SE, SI, SK, SM,
TR), OAPI (BF, BJ, CF, CG, CI, CM, GA, GN, GQ, GW,
KM, ML, MR, NE, SN, TD, TG).

Published:

— with international search report (Art. 21(3))

(88) Date of publication of the international search report:
12 March 2015

(54) Title: DISPENSER FOR PARTICULATE MATTER AND METHOD OF USE



(57) Abstract: A dispenser for dispensing particulate matter, the dispenser including a hopper; a coupling configured to allow attachment of the hopper, either directly or indirectly, to a receptacle; an aperture configured to be moved between an open and closed position to allow or prevent, respectively, flow of the particulate matter between the hopper and the receptacle; characterised in that the dispenser includes a stirrer housed in the hopper, and wherein the stirrer is configured to move in a substantially vertical and rotational manner within the hopper.



INTERNATIONAL SEARCH REPORT

International application No.

PCT/NZ2014/000080

A. CLASSIFICATION OF SUBJECT MATTER

A47J 31/40 (2006.01) A47J 31/44 (2006.01) G01F 11/10 (2006.01)

According to International Patent Classification (IPC) or to both national classification and IPC

B. FIELDS SEARCHED

Minimum documentation searched (classification system followed by classification symbols)

Documentation searched other than minimum documentation to the extent that such documents are included in the fields searched

Electronic data base consulted during the international search (name of data base and, where practicable, search terms used)

EPODOC and WPI: /IC/CC A47J31/404 or A47J31/40 OR A47J31/44 OR A47G19/34 OR G01F11/10 OR G01F11/20 or B01F7/00 and Keywords: VARY, DIFFERENT, SEVERAL, PLURALITY, MULTIPLE, CHANGE, RECEPTACLE, ADAPT, PERCOLATE, APERTURE, POT, MOKA, PORTA, HOPPER, DISPENSE, DOSING, METRE, METER, COFFEE, POWDER, PARTICULATE, GROUND, GRANULATE, STIR, PADDLE, MIX, BAR, STICK, SPOKE, ARM, STORE, CONTAINER, FLASK, UTENSIL, VESSEL, GATE, SLIDER, HATCH, DOOR, OPEN, OUTLET, RELEASE, DISCHARGE, CLOSE and the like terms. Espaceent: Applicant and Inventor names.

C. DOCUMENTS CONSIDERED TO BE RELEVANT

Category*	Citation of document, with indication, where appropriate, of the relevant passages	Relevant to claim No.
Documents are listed in the continuation of Box C		

 Further documents are listed in the continuation of Box C
 See patent family annex

* Special categories of cited documents:		
"A" document defining the general state of the art which is not considered to be of particular relevance	"T"	later document published after the international filing date or priority date and not in conflict with the application but cited to understand the principle or theory underlying the invention
"E" earlier application or patent but published on or after the international filing date	"X"	document of particular relevance; the claimed invention cannot be considered novel or cannot be considered to involve an inventive step when the document is taken alone
"L" document which may throw doubts on priority claim(s) or which is cited to establish the publication date of another citation or other special reason (as specified)	"Y"	document of particular relevance; the claimed invention cannot be considered to involve an inventive step when the document is combined with one or more other such documents, such combination being obvious to a person skilled in the art
"O" document referring to an oral disclosure, use, exhibition or other means	"&"	document member of the same patent family
"P" document published prior to the international filing date but later than the priority date claimed		

Date of the actual completion of the international search
22 September 2014Date of mailing of the international search report
22 September 2014

Name and mailing address of the ISA/AU

 AUSTRALIAN PATENT OFFICE
 PO BOX 200, WODEN ACT 2606, AUSTRALIA
 Email address: pct@ipaaustralia.gov.au

Authorised officer

 Yuelin Wang
 AUSTRALIAN PATENT OFFICE
 (ISO 9001 Quality Certified Service)
 Telephone No. 0262832402

INTERNATIONAL SEARCH REPORT

International application No.

C (Continuation).

DOCUMENTS CONSIDERED TO BE RELEVANT

PCT/NZ2014/000080

Category*	Citation of document, with indication, where appropriate, of the relevant passages	Relevant to claim No.
X	US 4560092 A (SOUZA) 24 December 1985 Figures 1-11, Abstract, column 5 lines 49-56, column 3, lines 43-46	1, 3-13, 15-29
X Y	US 2011/0163131 A1 (MIH et al.) 07 July 2011 Figures 1-4b and Abstract Figures 1-4b and Abstract	1-4, 6-8, 11-16, 18-29 9 and 10
Y	US 6698624 B2 (UFHEIL et al.) 02 March 2004 Figures 1-21	9 and 10

INTERNATIONAL SEARCH REPORT

Information on patent family members

International application No.

PCT/NZ2014/000080

This Annex lists known patent family members relating to the patent documents cited in the above-mentioned international search report. The Australian Patent Office is in no way liable for these particulars which are merely given for the purpose of information.

Patent Document/s Cited in Search Report		Patent Family Member/s	
Publication Number	Publication Date	Publication Number	Publication Date
US 4560092 A	24 December 1985	None	
US 2011/0163131 A1	07 July 2011	US 8439235 B2	14 May 2013
		CN 102026568 A	20 Apr 2011
		CN 102026568 B	18 Jun 2014
		EP 2067421 A1	10 Jun 2009
		EP 2067421 B1	06 Apr 2011
		EP 2293709 A2	16 Mar 2011
		EP 2293709 B1	14 Mar 2012
		FR 2924589 A1	12 Jun 2009
		FR 2924589 B1	24 Feb 2012
		FR 2931051 A1	20 Nov 2009
		FR 2931051 B1	23 Apr 2010
		US 2009145302 A1	11 Jun 2009
		US 8161867 B2	24 Apr 2012
WO 2009141537 A2	26 Nov 2009		
US 6698624 B2	02 March 2004	US 6698624 B2	02 Mar 2004
		AU 2002308117 A1	21 Oct 2002
		EP 1377942 A2	07 Jan 2004
		JP 2004527842 A	09 Sep 2004
		US 2002145013 A1	10 Oct 2002
		US 6516973 B2	11 Feb 2003
		WO 02081308 A2	17 Oct 2002

End of Annex

Due to data integration issues this family listing may not include 10 digit Australian applications filed since May 2001.

Form PCT/ISA/210 (Family Annex)(July 2009)