



US00D672713S

(12) **United States Design Patent**
Masui

(10) **Patent No.:** **US D672,713 S**

(45) **Date of Patent:** **** Dec. 18, 2012**

(54) **BATTERY**

(75) Inventor: **Kirio Masui**, Tokyo (JP)

(73) Assignee: **Sony Corporation**, Tokyo (JP)

(**) Term: **14 Years**

(21) Appl. No.: **29/371,864**

(22) Filed: **Nov. 4, 2011**

Related U.S. Application Data

(63) Continuation of application No. 29/371,466, filed on Mar. 9, 2011, now Pat. No. Des. 655,673.

(30) **Foreign Application Priority Data**

Dec. 10, 2010 (JP) D2010-029434

(51) **LOC (9) Cl.** **13-02**

(52) **U.S. Cl.** **D13/103**

(58) **Field of Classification Search** D13/102-106,
D13/110, 118-119, 184; 429/96-100, 163,
429/176

See application file for complete search history.

(56) **References Cited**

U.S. PATENT DOCUMENTS

D269,868 S *	7/1983	Seltzer et al.	D13/119
D303,524 S *	9/1989	Siegner et al.	D14/438
D320,649 S	10/1991	Fleming	
D348,046 S *	6/1994	Hulsebus	D13/119
D356,992 S *	4/1995	Dilgard	D13/103
D409,973 S *	5/1999	Iwamoto et al.	D13/103
D422,263 S *	4/2000	Waldner	D13/103
D440,201 S	4/2001	Huynh et al.	
D442,549 S	5/2001	Sasaoka	
6,284,406 B1 *	9/2001	Xing et al.	429/96
D471,558 S	3/2003	Wada	

D478,866 S	8/2003	Nakai	
D479,192 S	9/2003	Fujihara et al.	
D479,193 S	9/2003	Fujihara et al.	
D484,095 S	12/2003	Stacey	
D485,530 S *	1/2004	Ogasawara	D13/103
D494,924 S *	8/2004	Maruyama	D13/103
D532,363 S *	11/2006	Morisawa	D13/103
D539,277 S	3/2007	Okada et al.	
D625,263 S	10/2010	Takuma	
D630,162 S	1/2011	Bullen	
D637,157 S *	5/2011	Andre et al.	D13/119
D642,515 S	8/2011	Crawford et al.	
D643,363 S *	8/2011	Wigmore	D13/102
D655,673 S *	3/2012	Masui	D13/103
D658,583 S *	5/2012	Andre et al.	D13/119
2012/0052355 A1 *	3/2012	Chiang et al.	429/96

FOREIGN PATENT DOCUMENTS

JP	D1104695 S	3/2001
JP	D1231992 S	3/2005
JP	D1233260 S	3/2005

* cited by examiner

Primary Examiner — Rosemary K Tarca

(74) *Attorney, Agent, or Firm* — Rader, Fishman & Grauer PLLC

(57) **CLAIM**

The ornamental design for a battery, as shown.

DESCRIPTION

FIG. 1 is a perspective view of a battery showing my new design;
FIG. 2 is a front elevational view thereof;
FIG. 3 is a rear elevational view thereof;
FIG. 4 is a left side elevational view thereof;
FIG. 5 is a right side elevational view thereof; and
FIG. 6 is a top plan view thereof; and
FIG. 7 is a bottom plan view thereof.

1 Claim, 5 Drawing Sheets

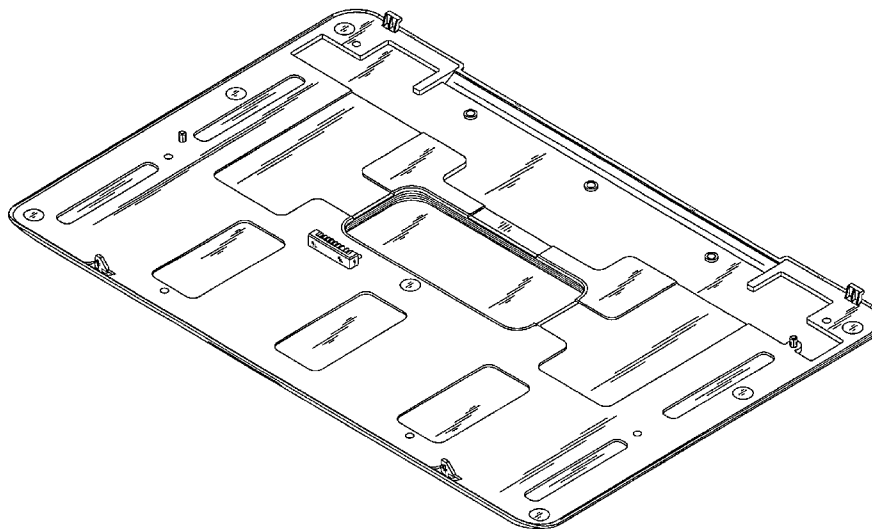


FIG.1

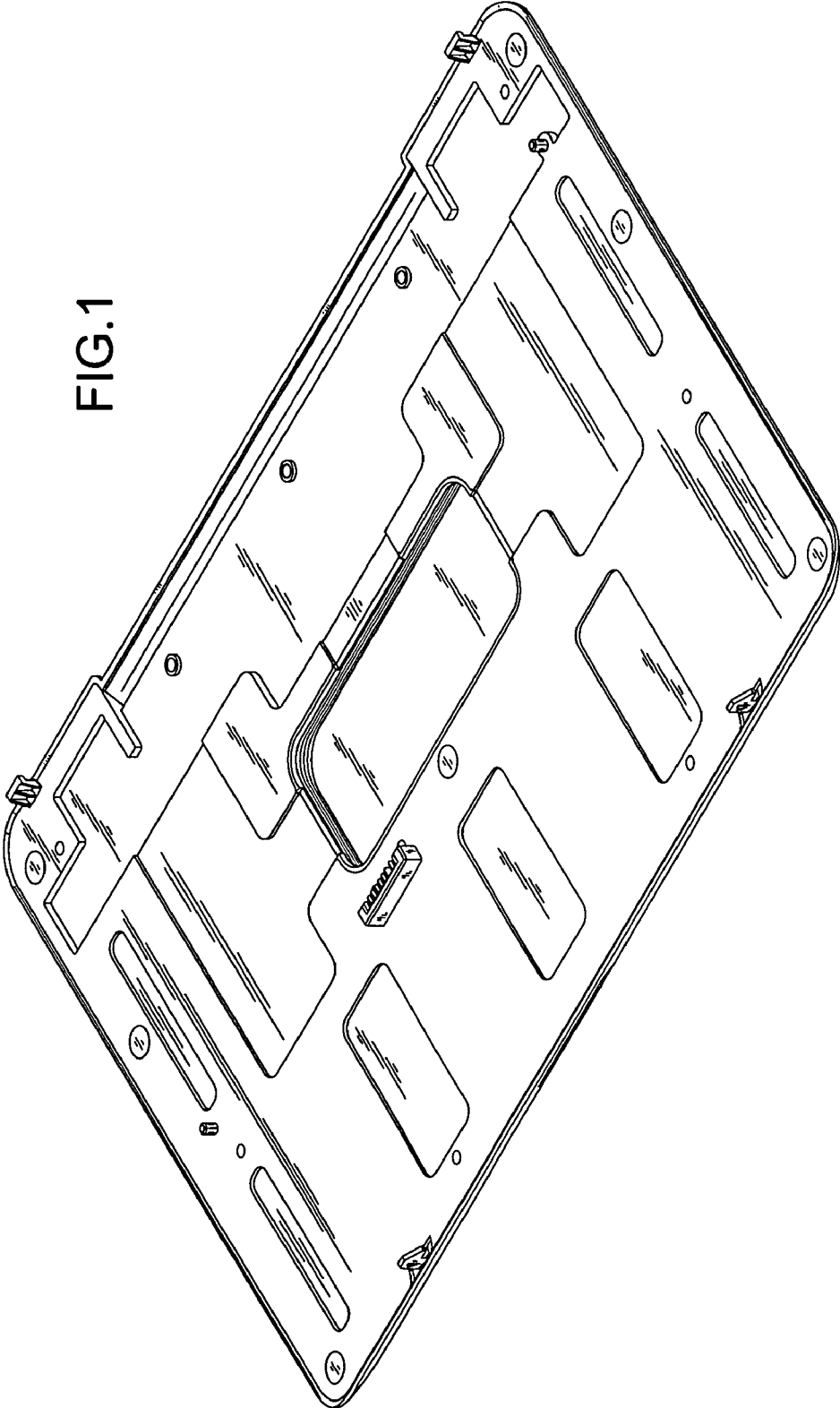


FIG.2

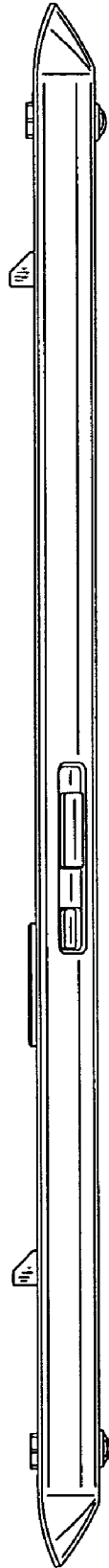


FIG.3

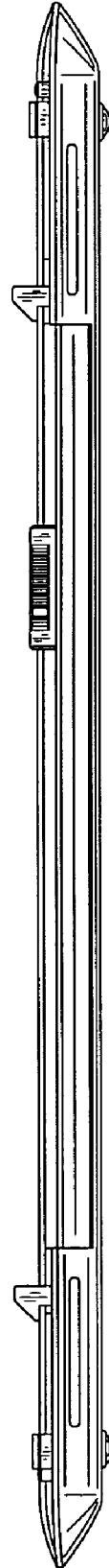


FIG.4

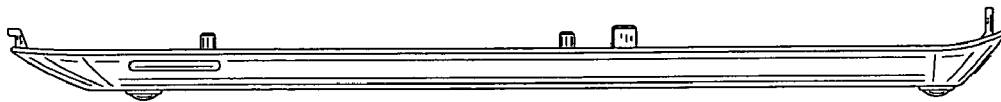


FIG.5

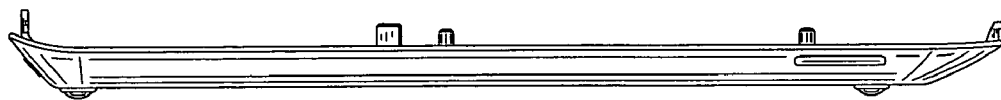


FIG.6

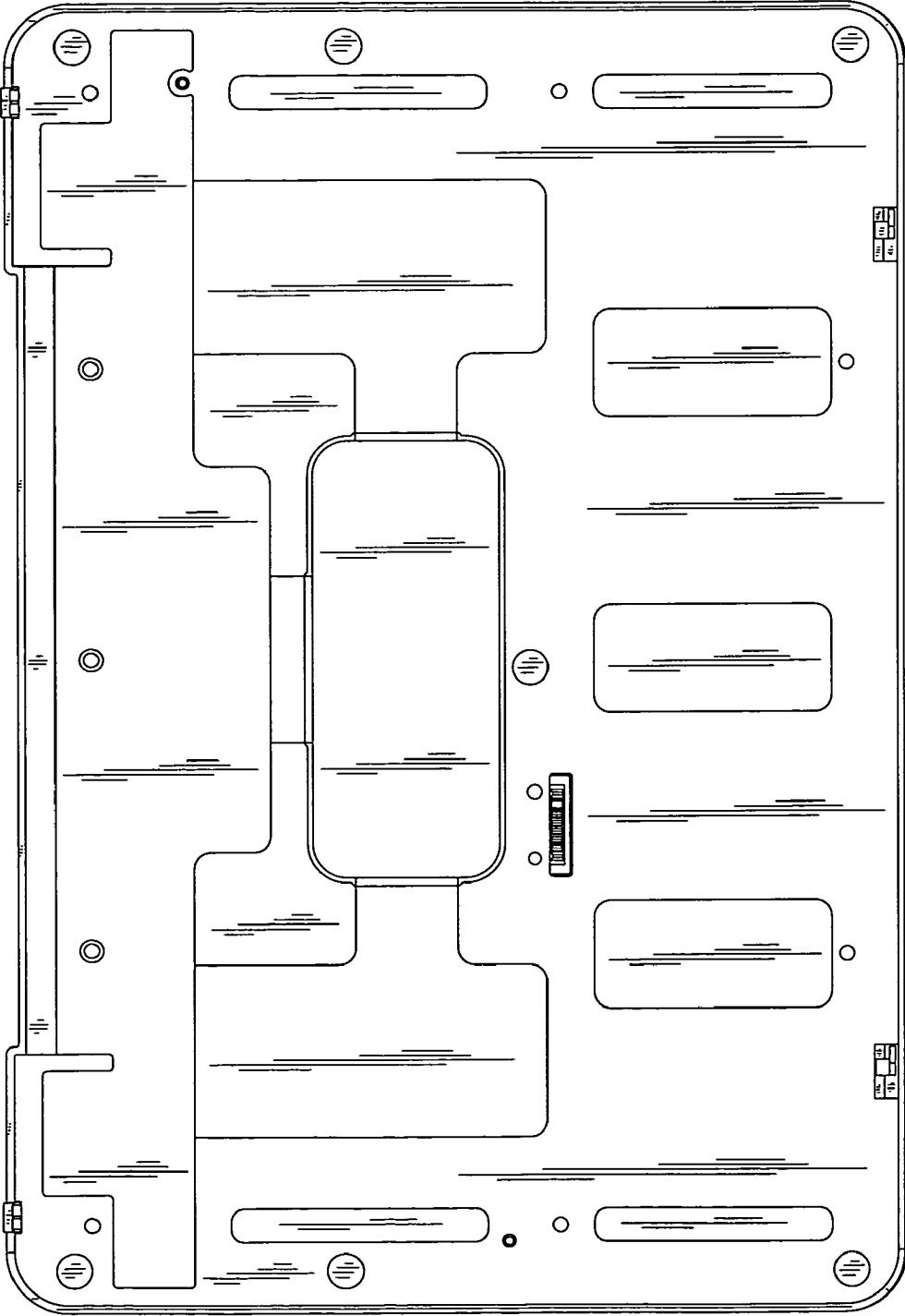


FIG. 7

