



US00D722683S

(12) **United States Design Patent**
Kohler, Jr. et al.

(10) **Patent No.:** **US D722,683 S**

(45) **Date of Patent:** **** Feb. 17, 2015**

(54) **SINK**

DESCRIPTION

(71) Applicant: **Kohler Co.**, Kohler, WI (US)

(72) Inventors: **Herbert V. Kohler, Jr.**, Kohler, WI (US);
Alexander V. LeTourneau, Sheboygan,
WI (US); **Shawn J. Booth**, Sheboygan,
WI (US); **Gary N. Clarke**, Sheboygan,
WI (US)

(73) Assignee: **Kohler Co.**, Kohler, WI (US)

(**) Term: **14 Years**

(21) Appl. No.: **29/477,066**

(22) Filed: **Dec. 19, 2013**

(51) **LOC (10) Cl.** **23-02**

(52) **U.S. Cl.**
USPC **D23/293.1**

(58) **Field of Classification Search**
USPC D23/284, 291-292, 293.1, 303, 308;
4/619, 640, 650, 661, 643, 646
See application file for complete search history.

(56) **References Cited**

U.S. PATENT DOCUMENTS

- D472,617 S * 4/2003 Lanius D23/292
- D498,522 S * 11/2004 Lanius D23/293.1
- D523,181 S * 6/2006 Mayer D23/292

* cited by examiner

Primary Examiner — Robert Delehanty

(74) *Attorney, Agent, or Firm* — Foley & Lardner LLP

(57) **CLAIM**

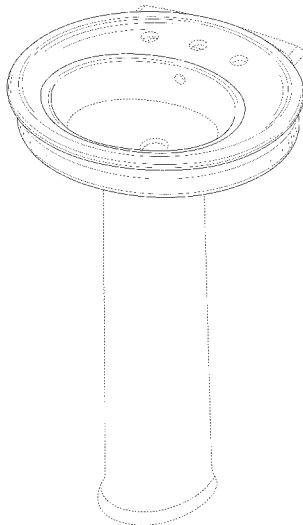
We claim the ornamental design for a sink, as shown and described.

FIG. 1 is a top perspective view of an embodiment of the claimed design;
 FIG. 2 is a front elevation view of the embodiment shown in FIG. 1;
 FIG. 3 is a rear elevation view of the embodiment shown in FIG. 1;
 FIG. 4 is a top plan view of the embodiment shown in FIG. 1;
 FIG. 5 is a bottom plan elevation view of the embodiment shown in FIG. 1;
 FIG. 6 is a right elevation view of the embodiment shown in FIG. 1; and,
 FIG. 7 is a left elevation view of the embodiment shown in FIG. 1.

The ornamental design which is claimed is shown in solid lines in the drawings. The broken lines in the drawings are for illustrative purposes only and form no part of the claimed design. Broken lines formed by equal length dashes show unclaimed portions of the design. Broken lines formed of unequal length dashes (i.e., dash-dot) show boundaries between claimed and unclaimed portions of the design. Lines having a jagged element are not part of the claimed design and show that no particular length of the portion is claimed.

While the accompanying drawings illustrate one or more exemplary embodiments, it should be understood that according to other exemplary embodiments that should be considered to be within the possession of the inventors of the present application at the time this application is being filed, it is contemplated that any illustrated solid lines (or portions thereof), may be converted to broken lines, that any illustrated broken lines (or portions thereof) may be converted to solid lines so as to claim or disclaim portions, components, or sub-components of the designs shown, and that any illustrated solid lines (or portions thereof) and broken lines (or any portions thereof) from a single depicted embodiment may be combined with those of another depicted embodiment. It is further contemplated that shading may be added or removed to claim or disclaim the corresponding surfaces.

1 Claim, 7 Drawing Sheets



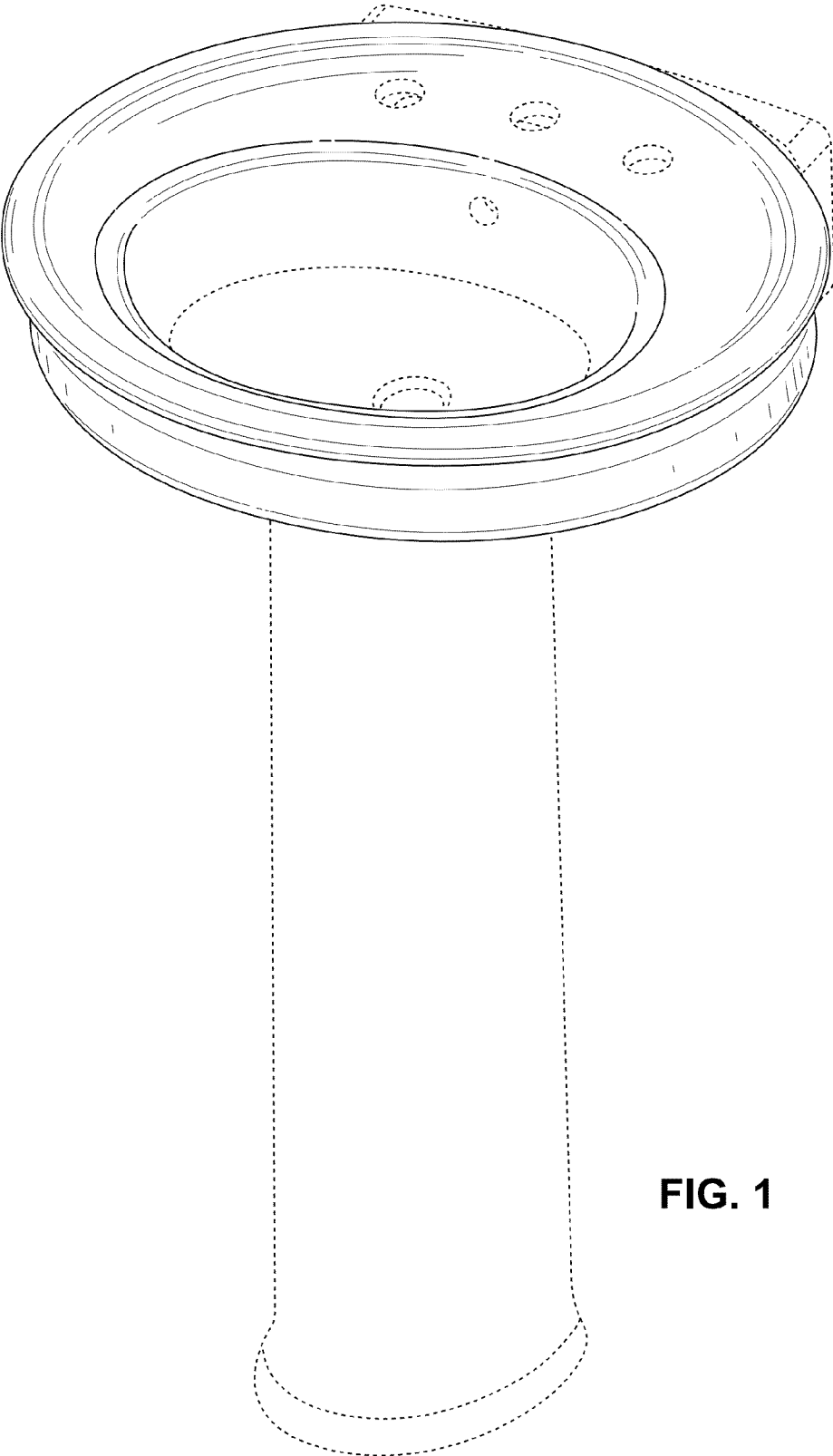


FIG. 1

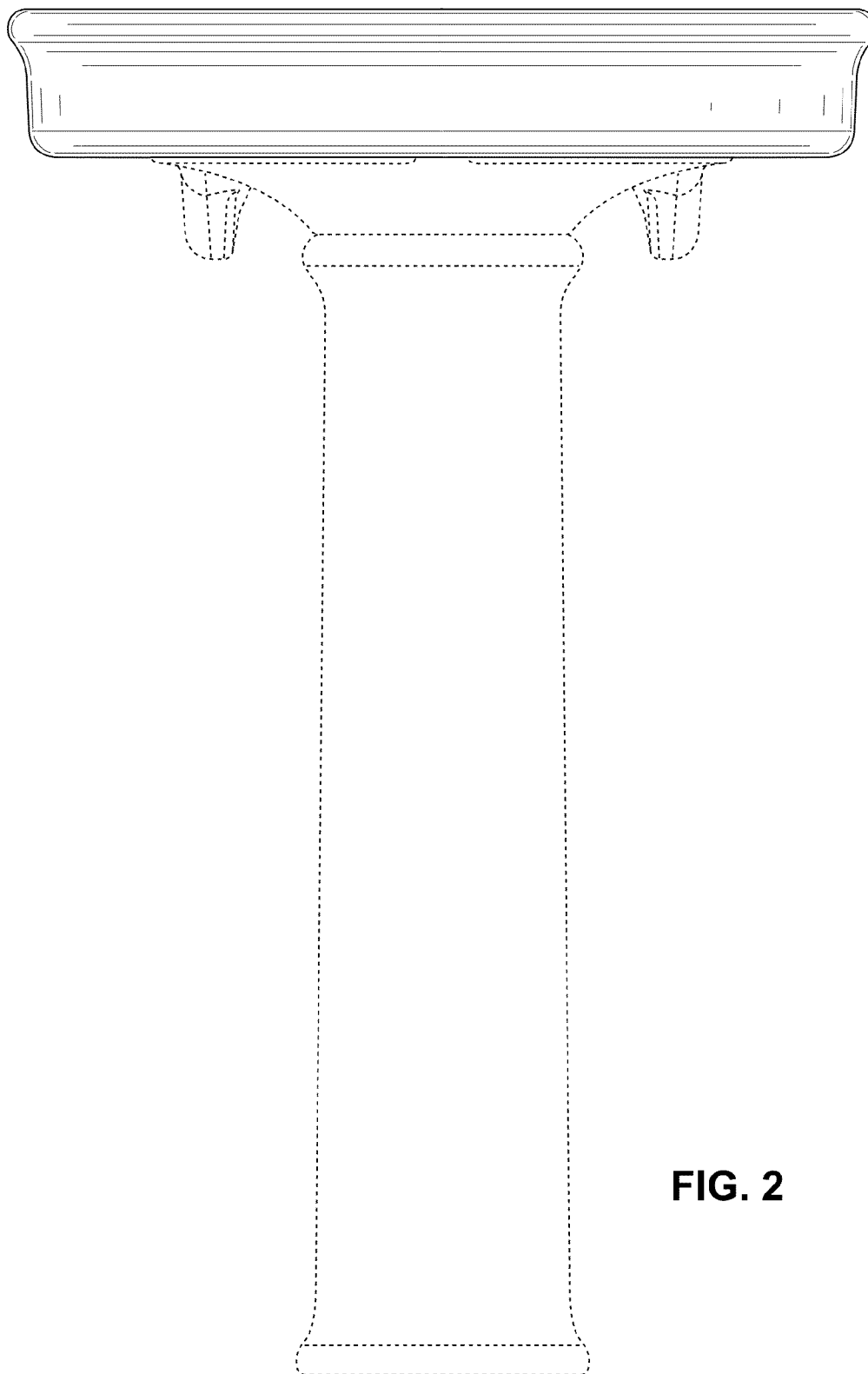


FIG. 2

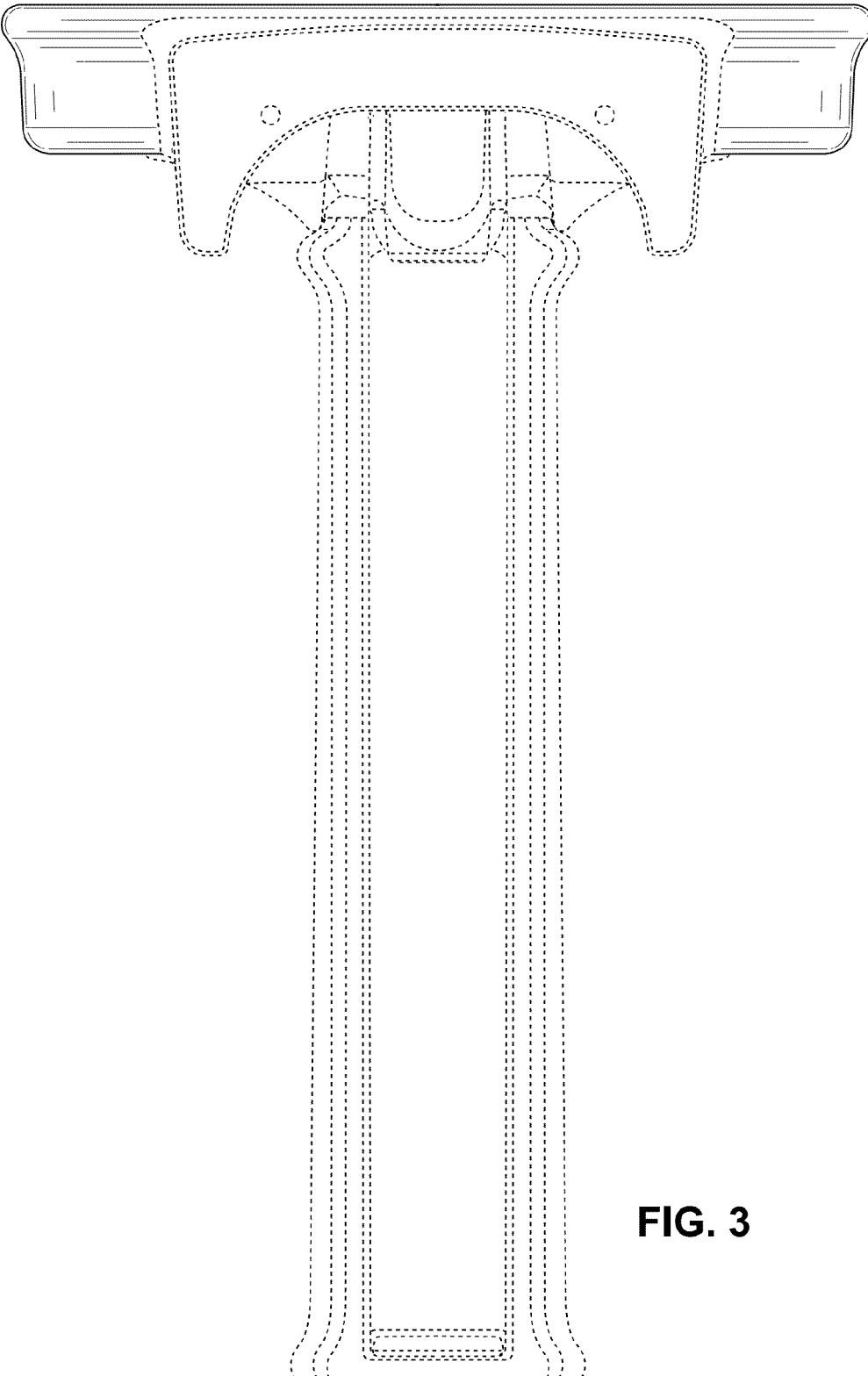


FIG. 3

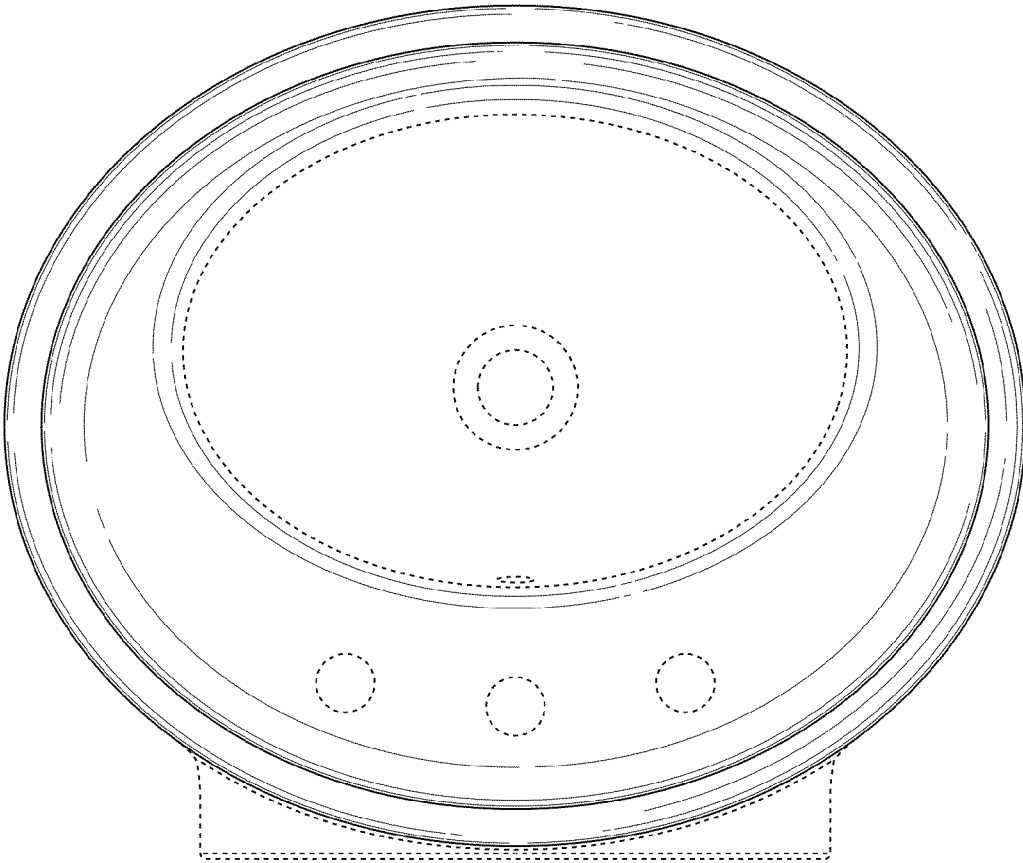


FIG. 4

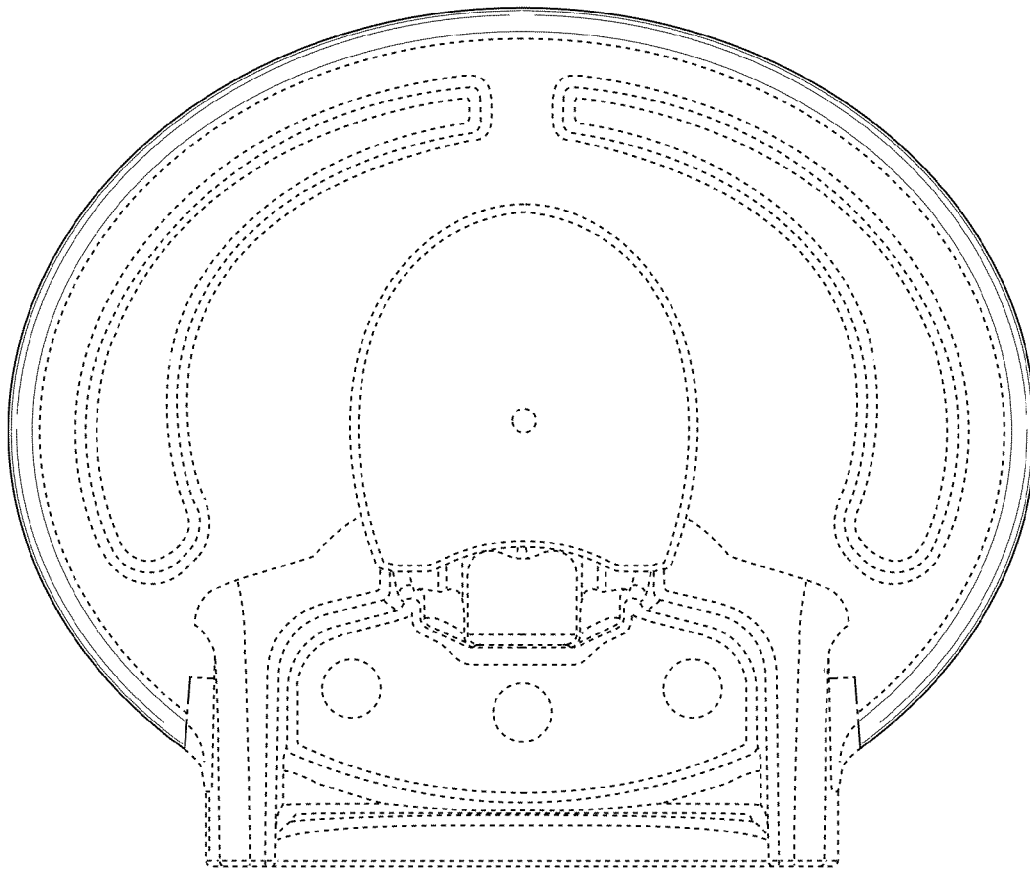


FIG. 5

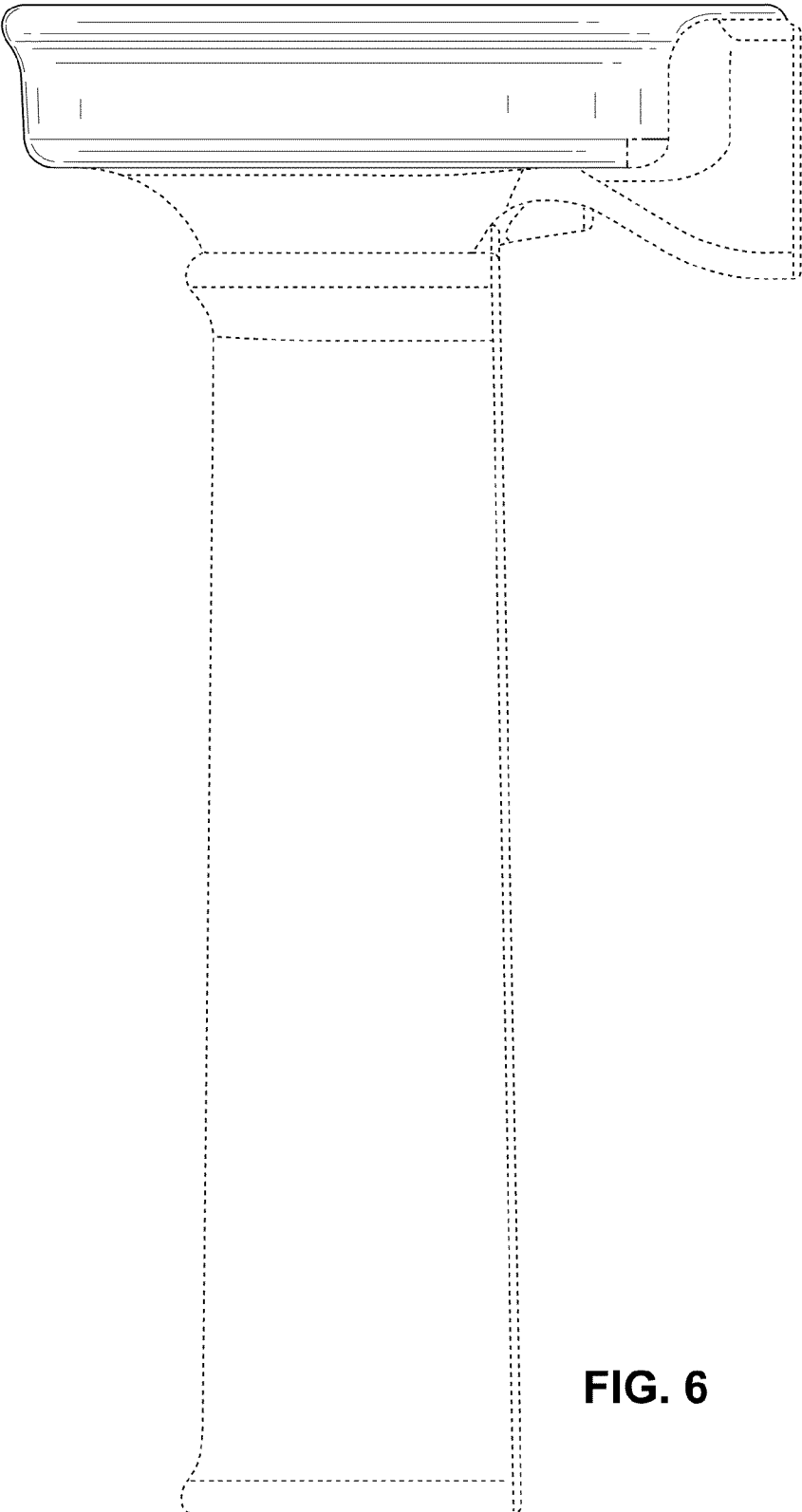


FIG. 6

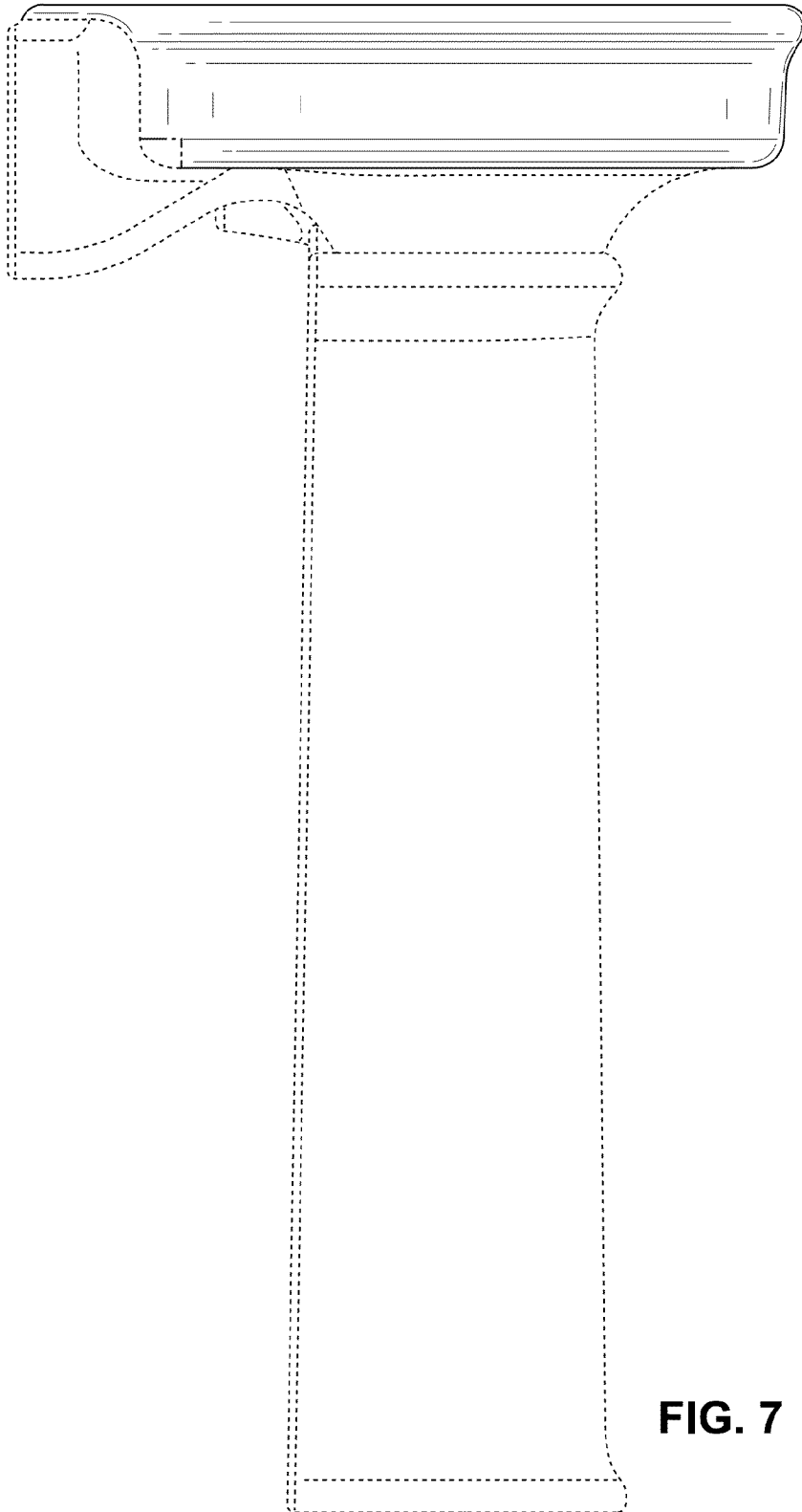


FIG. 7