



US00D544980S

(12) **United States Design Patent**  
**Hargreaves**

(10) **Patent No.:** **US D544,980 S**

(45) **Date of Patent:** **\*\* Jun. 19, 2007**

(54) **FOUR LAMP CAPACITY LOW PROFILE LIGHT FIXTURE**

D431,876 S \* 10/2000 Lewis ..... D26/76  
D446,333 S \* 8/2001 Frois ..... D26/76

(75) Inventor: **Craig Hargreaves**, Vancouver, WA (US)

(73) Assignee: **IP Holdings, LLC**, Vancouver, WA (US)

(\*\*) Term: **14 Years**

(21) Appl. No.: **29/215,274**

(22) Filed: **Oct. 18, 2004**

(51) **LOC (8) CL.** ..... **26-03**

(52) **U.S. CL.** ..... **D26/76; D26/75**

(58) **Field of Classification Search** ..... D26/75-78,  
D26/73, 118; 362/1, 2, 147, 217, 218, 219,  
362/221-224, 294, 345, 373, 614, 805, 806,  
362/807

See application file for complete search history.

(56) **References Cited**

**U.S. PATENT DOCUMENTS**

1,410,945	A	*	3/1922	Mayfield	.....	52/521
D180,533	S	*	6/1957	Stevens	.....	D26/76
2,899,541	A	*	8/1959	De Mauro	.....	362/222
D198,183	S	*	5/1964	Akely	.....	D26/71
3,836,765	A	*	9/1974	Ritzow et al.	.....	362/223
3,860,829	A	*	1/1975	Fabbri	.....	307/66
4,342,072	A	*	7/1982	Guritz et al.	.....	362/222
5,089,940	A	*	2/1992	Lanzarone et al.	.....	362/101
5,113,328	A	*	5/1992	Foster et al.	.....	362/223
D344,605	S	*	2/1994	Aspenwall	.....	D26/76
5,479,327	A	*	12/1995	Chen	.....	362/222
D405,907	S	*	2/1999	Herst et al.	.....	D26/76

**OTHER PUBLICATIONS**

New Wave T5 High Output Fluorescent Grow Light 4ft 4 Lamp from Bustan Urban Gardening Essentials. Found online at bustan.com on Dec. 16, 2006.\*

\* cited by examiner

*Primary Examiner*—Clare E Heflin

(74) *Attorney, Agent, or Firm*—Robert J. Ireland

(57) **CLAIM**

The ornamental design for a four lamp capacity low profile light fixture, as shown and described.

**DESCRIPTION**

FIG. 1 is a perspective view of a four lamp capacity low profile light fixture, and according to the new and unique design;

FIG. 2 is an exploded perspective view thereof, with the internal frame and internal components separated from the external housing;

FIG. 3 is a top view of the four lamp capacity low profile light fixture;

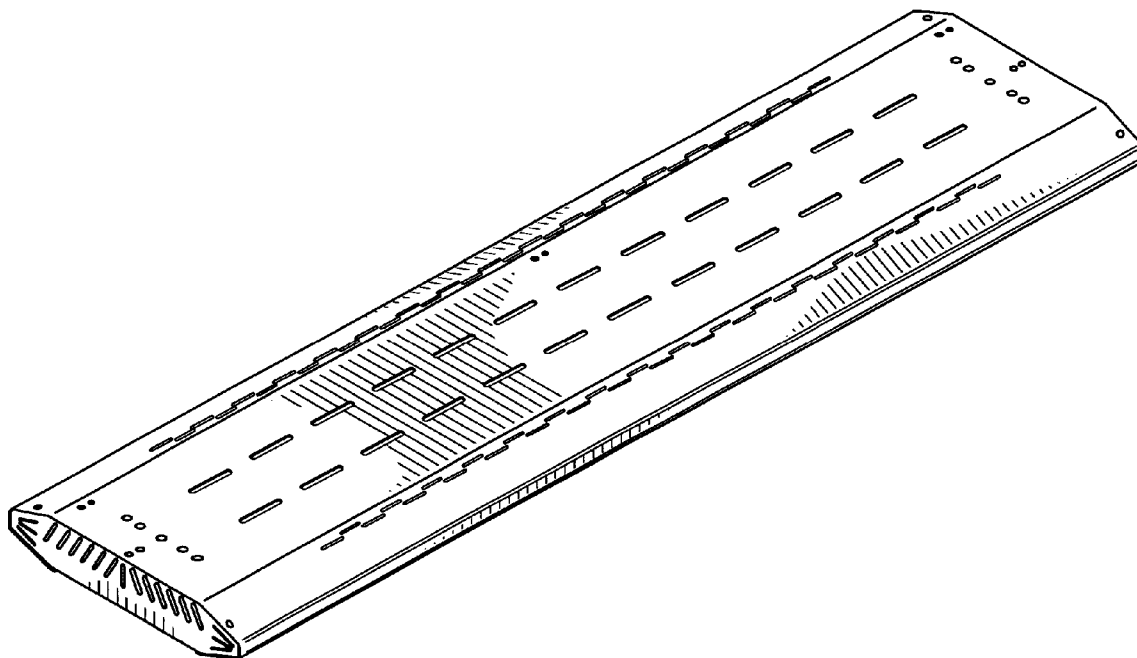
FIG. 4 is a side view of the four lamp capacity low profile light fixture;

FIG. 5 is a front view of the four lamp capacity low profile light fixture;

FIG. 6 is a back view of the four lamp capacity low profile light fixture; and,

FIG. 7 is a bottom view of the four lamp capacity low profile light fixture.

**1 Claim, 7 Drawing Sheets**



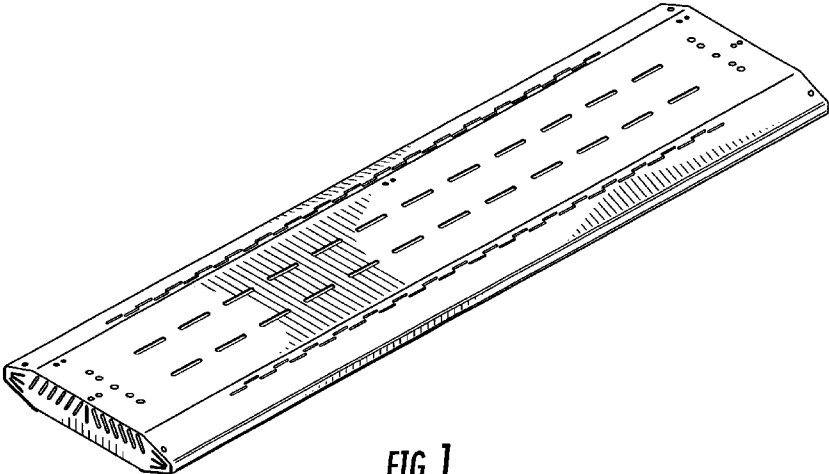


FIG. 1

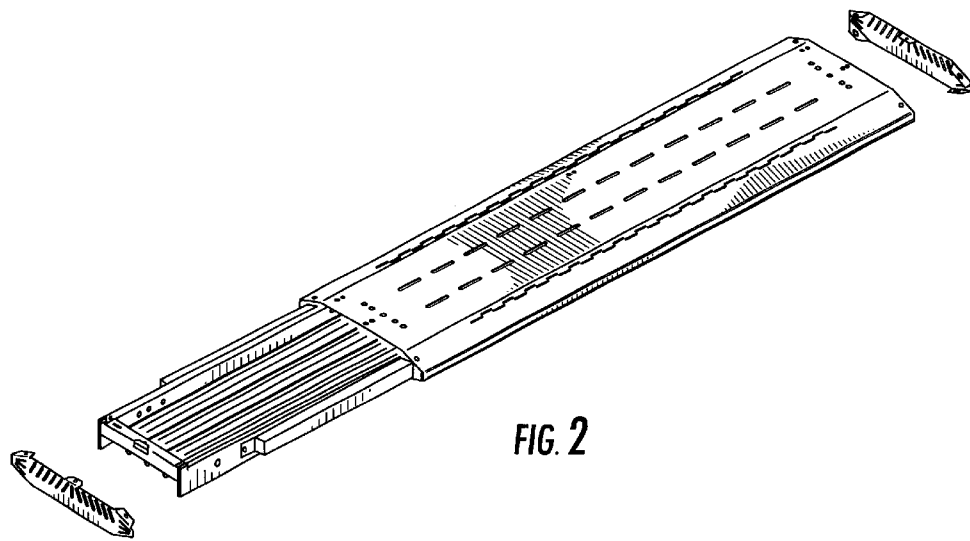


FIG. 2

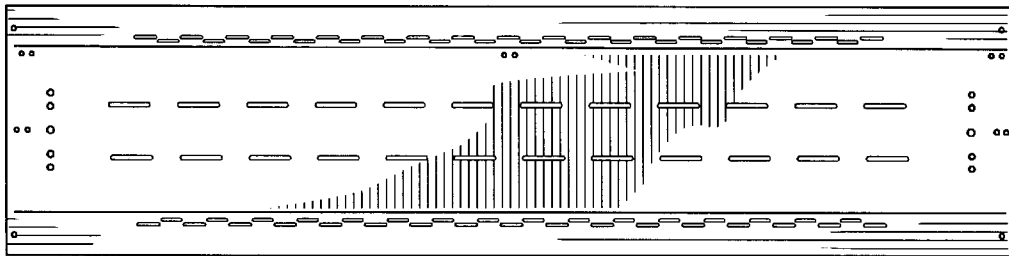


FIG. 3



**FIG. 4**

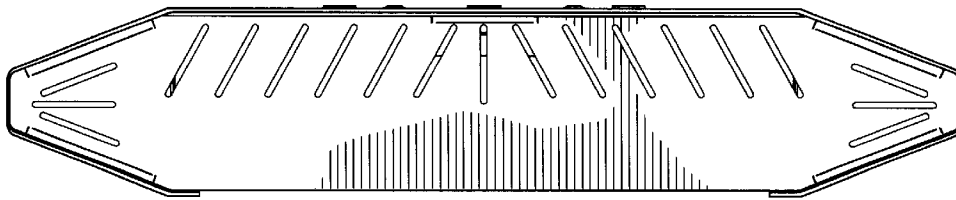


FIG. 5

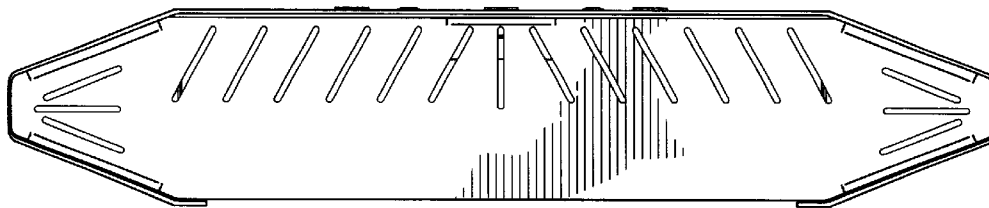


FIG. 6

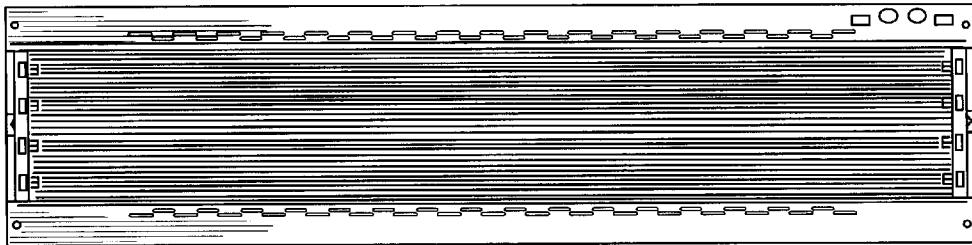


FIG. 7