

United States Patent [19]

Pink et al.

[11] Patent Number: **Des. 320,993**

[45] Date of Patent: **** Oct. 22, 1991**

- [54] **SNOW THROWER**
- [75] Inventors: **Anthony N. Pink, Shakopee; Randall Beihoffer, Bloomington, both of Minn.**
- [73] Assignee: **The Toro Company, Minneapolis, Minn.**
- [**] Term: **14 Years**
- [21] Appl. No.: **294,142**
- [22] Filed: **Jan. 6, 1989**
- [52] U.S. Cl. **D15/12**
- [58] Field of Search **D15/10-12; 37/244, 248, 251, 252, 257-260, 262**

- 3,742,626 7/1973 Ellis 37/260
4,295,285 10/1981 Stevens .
4,325,195 4/1982 Comer .
4,694,594 9/1987 Thorud et al. .

FOREIGN PATENT DOCUMENTS

- 0239522 9/1937 European Pat. Off. 37/262

Primary Examiner—Melvin B. Feifer
Assistant Examiner—Sandra Morris
Attorney, Agent, or Firm—R. Lawrence Buckley

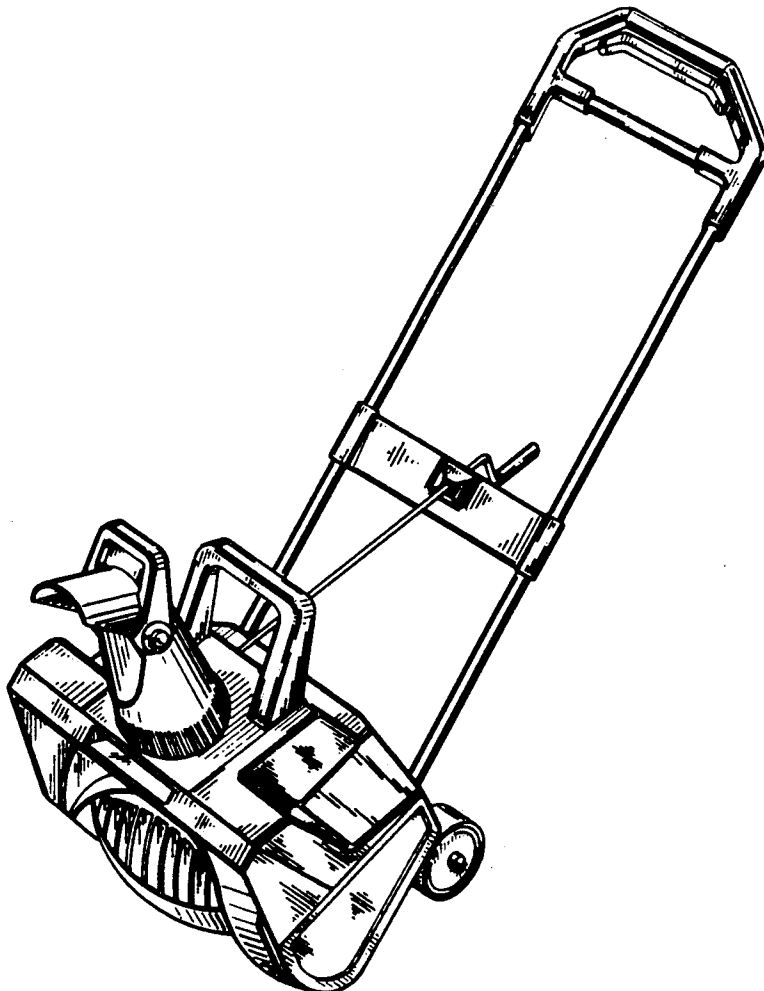
[57] CLAIM

The ornamental design for a snow thrower, as shown and described.

DESCRIPTION

- FIG. 1 is a perspective view of a snow thrower, showing our new design;
FIG. 2 is a front elevational view thereof;
FIG. 3 is a right side elevational view thereof, the left side being a mirror image;
FIG. 4 is a rear elevational view thereof;
FIG. 5 is a top plan view thereof;
FIG. 6 is a bottom plan view thereof.

- [56] **References Cited**
- U.S. PATENT DOCUMENTS**
- D. 262,797 1/1982 Arthur et al. D15/12
D. 305,125 12/1989 Hinklin D15/11
2,642,680 6/1953 Curtis et al. .
3,452,460 7/1969 Cope et al. .
3,548,522 12/1970 Roper .
3,603,008 9/1971 Heth .



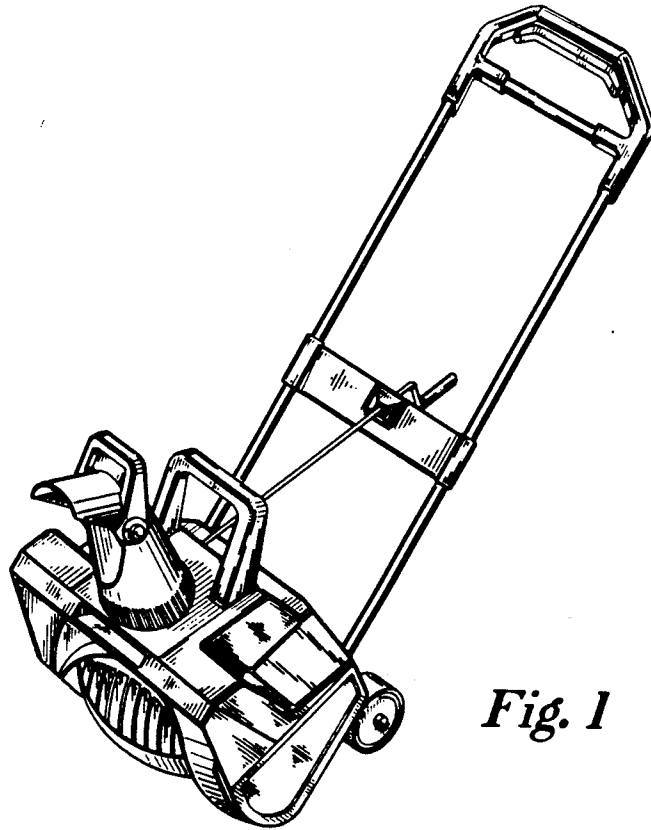


Fig. 1

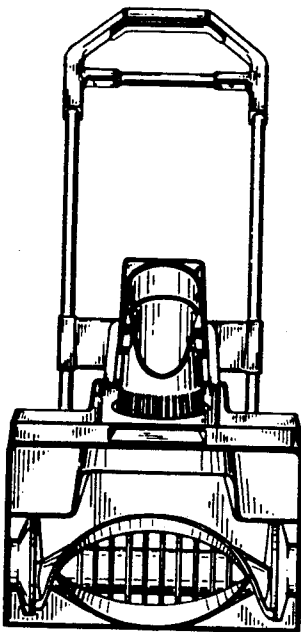


Fig. 2

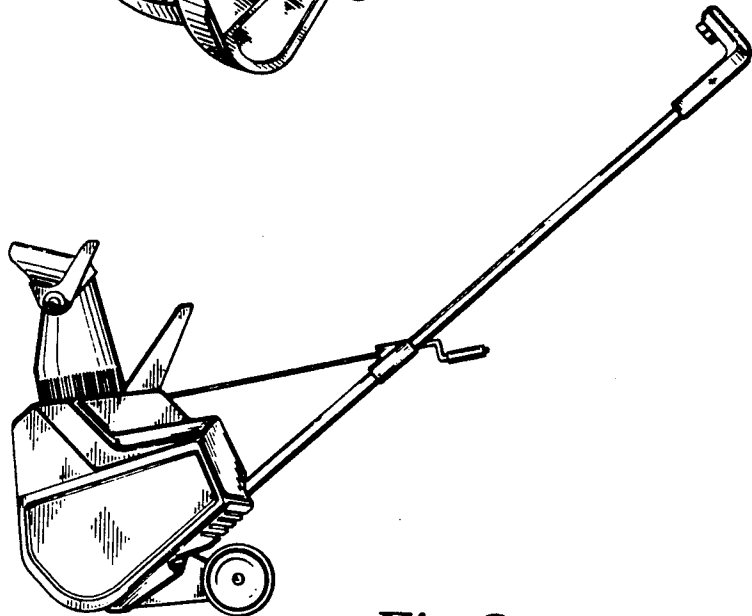


Fig. 3

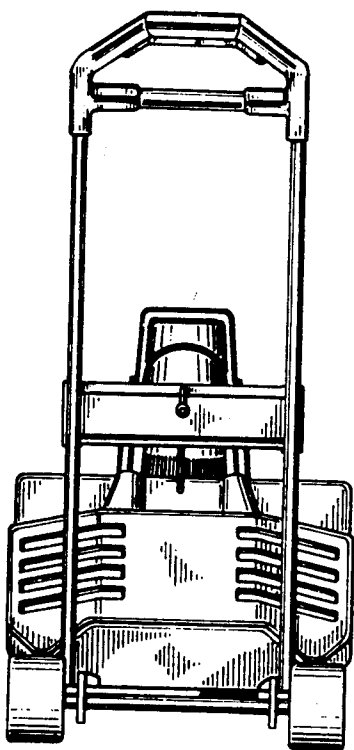


Fig. 4

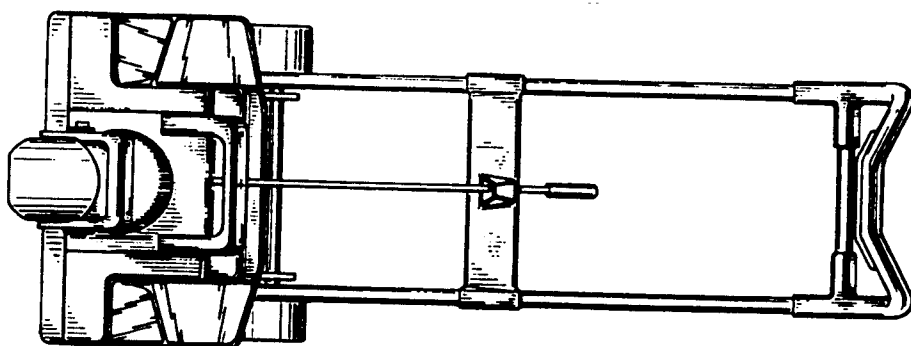


Fig. 5

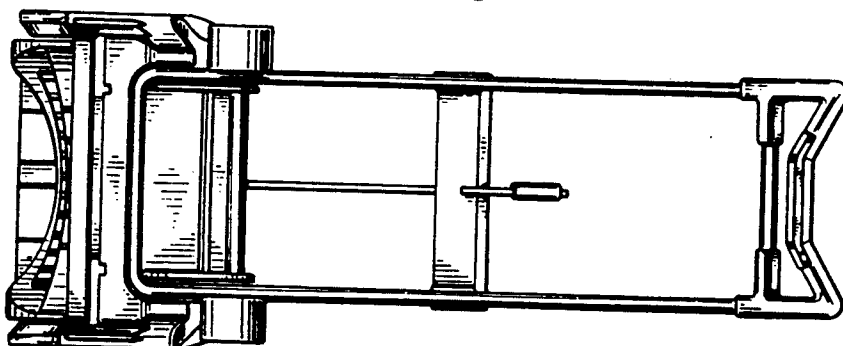


Fig. 6