



US00D745574S

(12) **United States Design Patent**
Losen et al.

(10) **Patent No.:** **US D745,574 S**

(45) **Date of Patent:** **** Dec. 15, 2015**

(54) **SCRAPER BAR FOR A MILLING MACHINE**

(71) Applicant: **BOMAG GmbH**, Boppard (DE)

(72) Inventors: **Fabian Losen**, Bell (DE); **Markus Schaefer**, Braubach (DE); **Steffen Wachsmann**, Koblenz (DE)

(73) Assignee: **BOMAG GmbH**, Boppard (DE)

(**) Term: **14 Years**

(21) Appl. No.: **29/512,141**

(22) Filed: **Dec. 17, 2014**

(30) **Foreign Application Priority Data**

Jul. 3, 2014 (EM) 002495283-0011

(51) **LOC (10) Cl.** **15-09**

(52) **U.S. Cl.**
USPC **D15/32**

(58) **Field of Classification Search**
USPC D15/124-144, 11, 19, 28-32;
D8/16-20; 409/137, 139-140;
D32/46-49; 299/39.2
CPC E01C 23/088
See application file for complete search history.

(56) **References Cited**

U.S. PATENT DOCUMENTS

D260,772 S * 9/1981 Johnson D15/29
D274,526 S * 7/1984 Watts D15/126
D299,348 S * 1/1989 Nja D15/11

D388,572 S * 12/1997 Gold D32/46
D406,153 S * 2/1999 Holzer D15/32
6,182,324 B1 * 2/2001 Pagliuzza A63B 57/0087
D32/48
D531,649 S * 11/2006 Sollami D15/139
D624,940 S * 10/2010 Buhr D15/21
D636,646 S * 4/2011 Muccino D8/20
D695,580 S * 12/2013 Hirai D8/20
D699,764 S * 2/2014 Loew D15/20
2007/0177951 A1 * 8/2007 Sakamoto B23C 5/109
407/40
2015/0054332 A1 * 2/2015 Latham E01C 23/088
299/39.8

* cited by examiner

Primary Examiner — Susan Bennett Hattan

Assistant Examiner — Brett Miller

(74) *Attorney, Agent, or Firm* — Wood, Herron & Evans, LLP

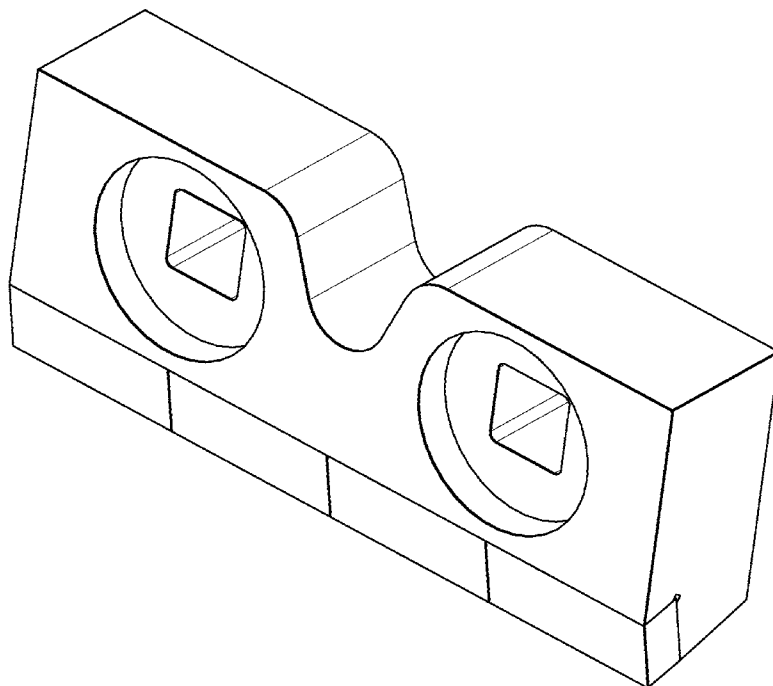
(57) **CLAIM**

The ornamental design for a scraper bar for a milling machine, as shown and described.

DESCRIPTION

FIG. 1 is a front isometric view of our new scraper bar for a milling machine design;
FIG. 2 is a rear isometric view thereof;
FIG. 3 is a front elevational view thereof;
FIG. 4 is a rear elevational view thereof;
FIG. 5 is a right side elevational view thereof;
FIG. 6 is a left side elevational view thereof;
FIG. 7 is a top plan view thereof; and,
FIG. 8 is a bottom plan view thereof.

1 Claim, 8 Drawing Sheets



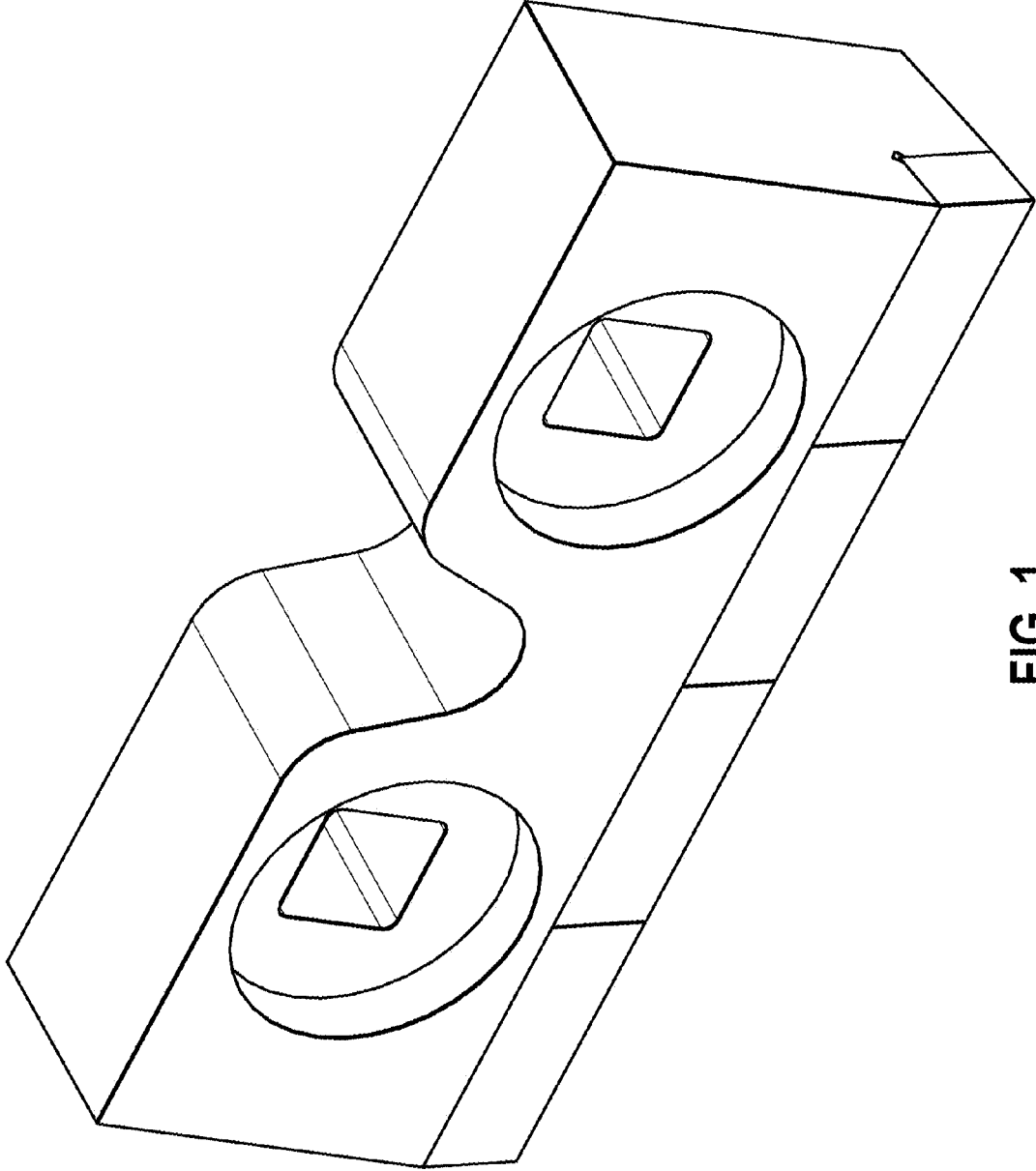


FIG. 1

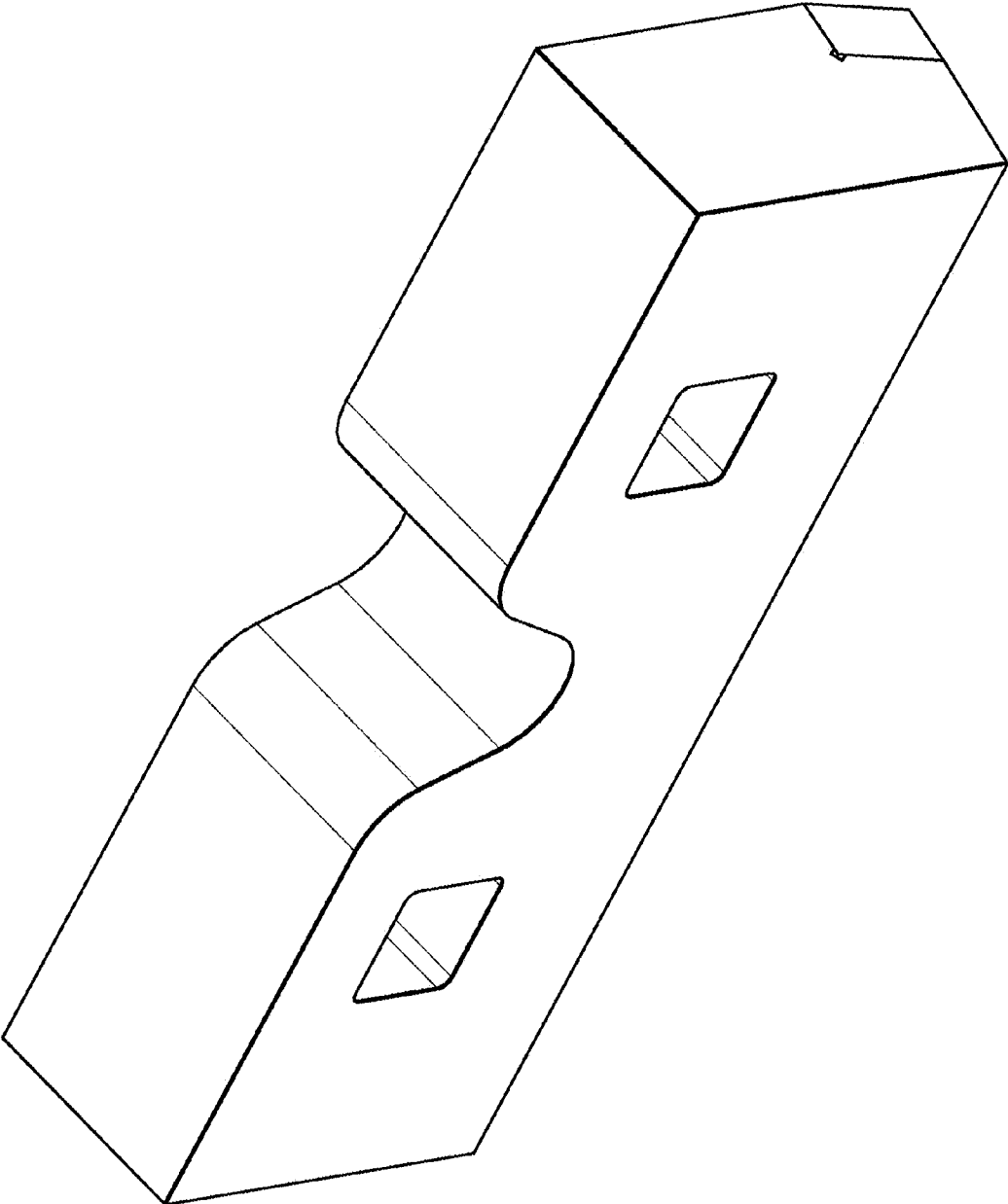


FIG. 2

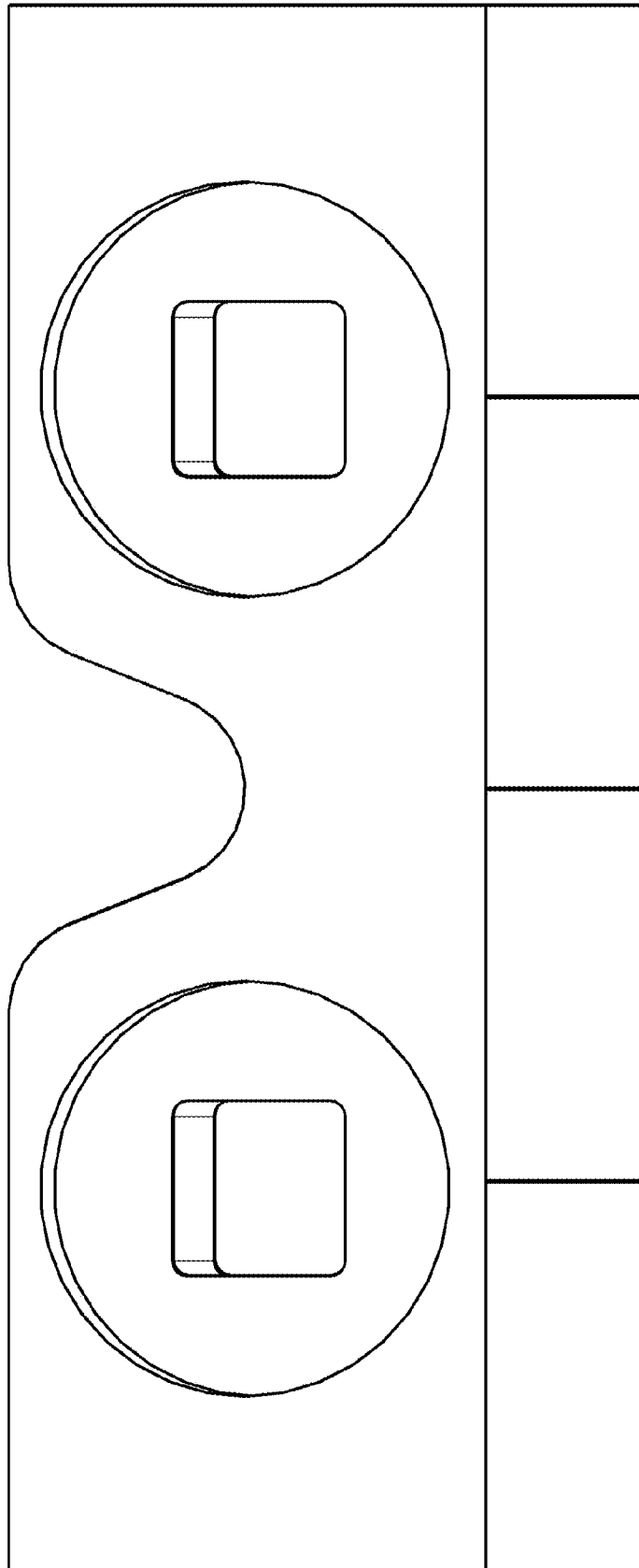


FIG. 3

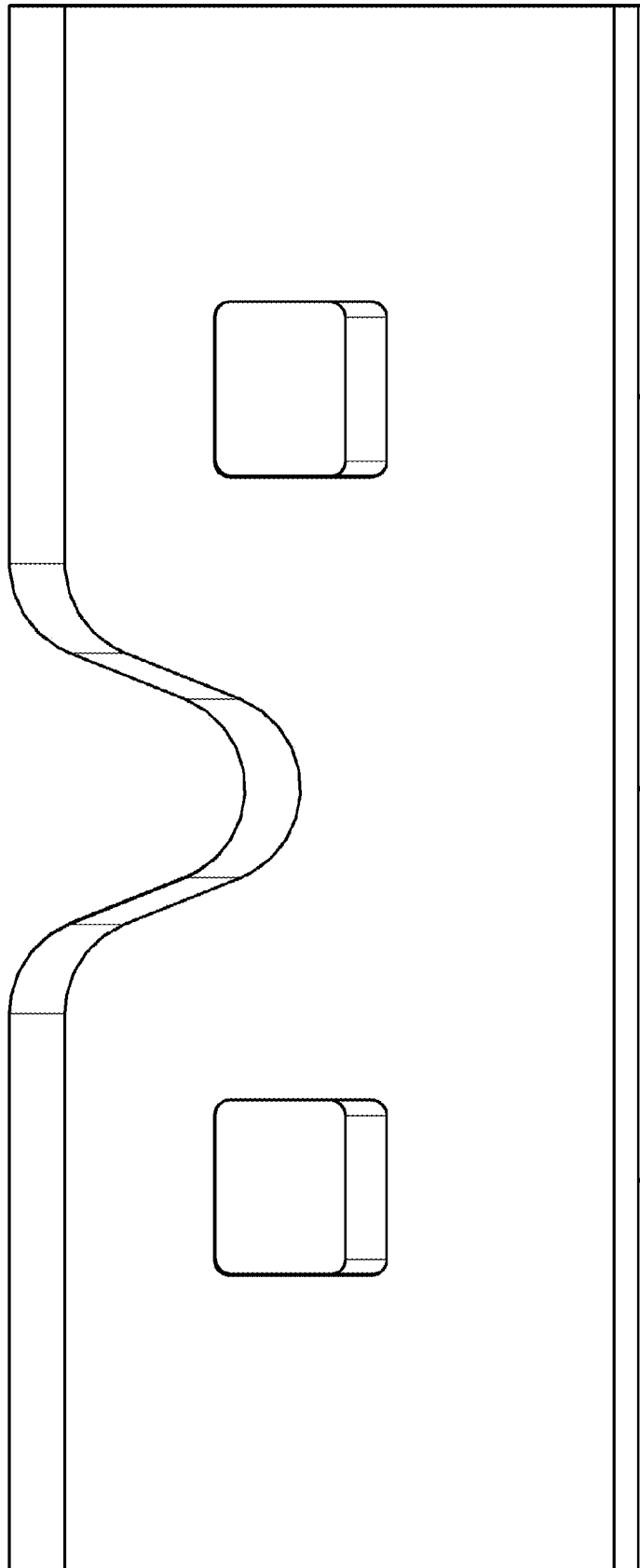


FIG. 4

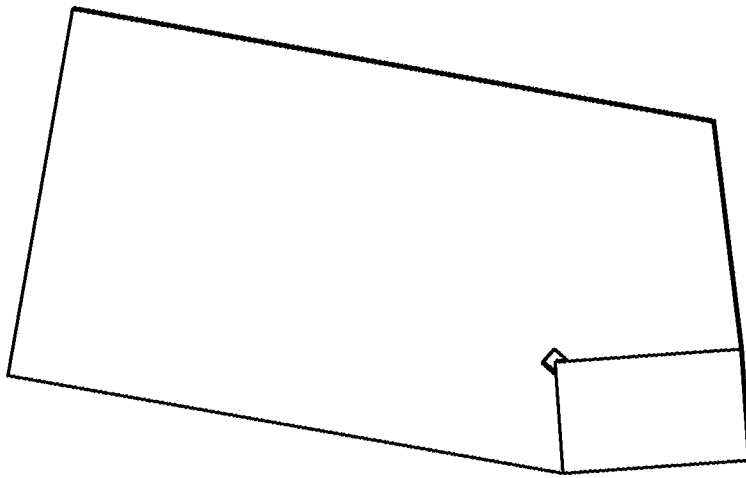


FIG. 5

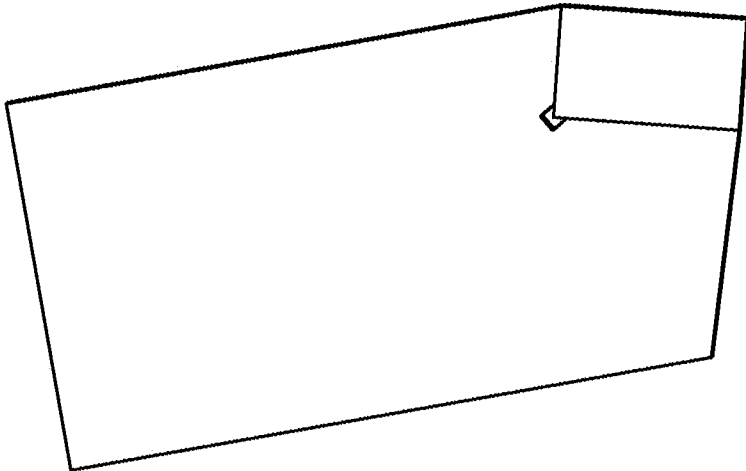


FIG. 6

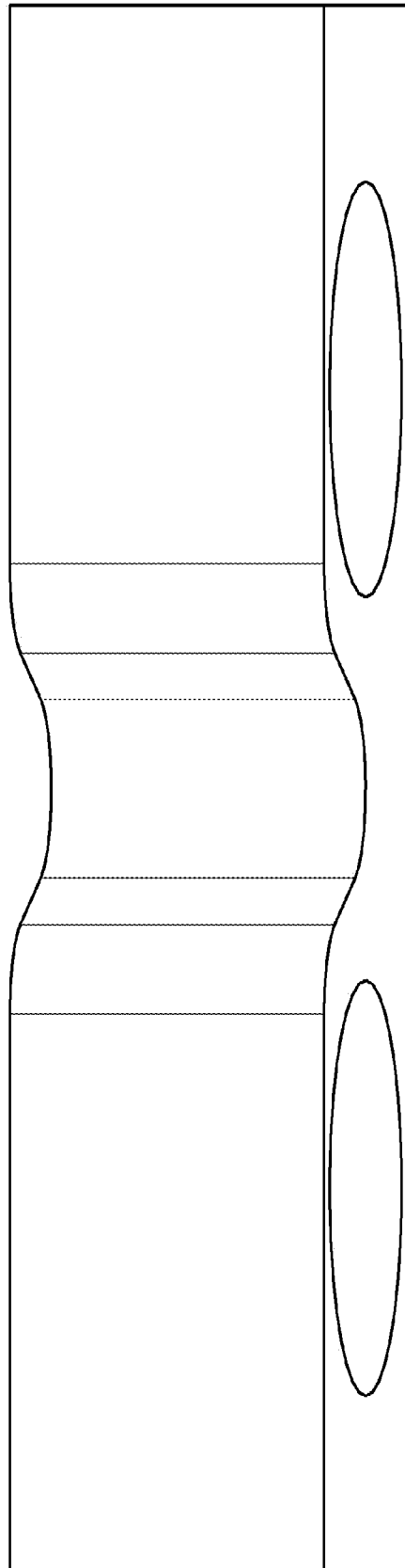


FIG. 7

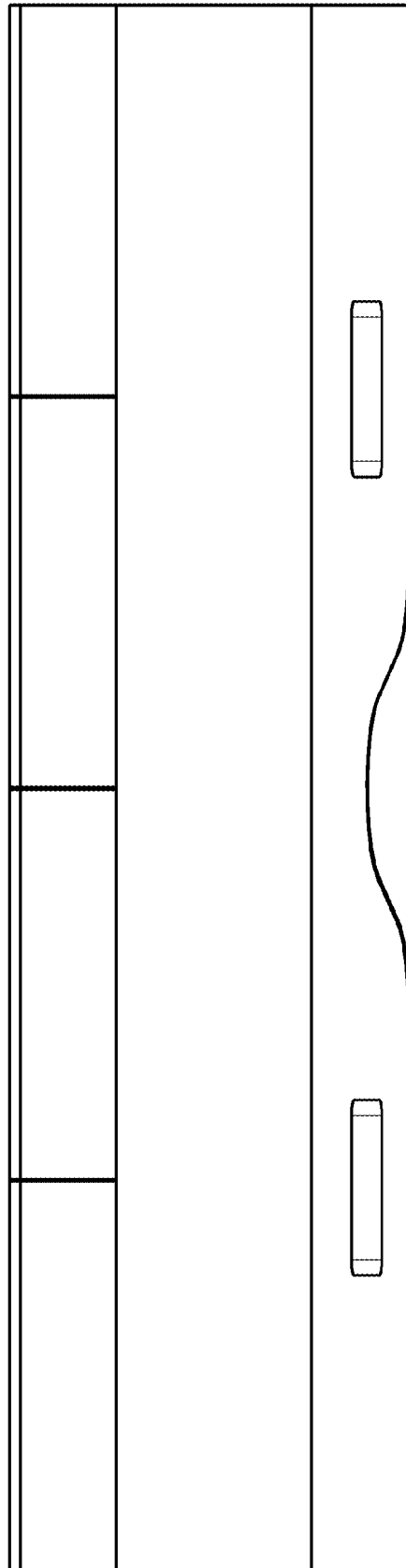


FIG. 8